



US00D444872S

(12) **United States Design Patent**
Webb

(10) **Patent No.:** **US D444,872 S**

(45) **Date of Patent:** **** Jul. 10, 2001**

(54) **AIR VENT**
(75) Inventor: **Walter L. Webb**, Mukilteo, WA (US)
(73) Assignee: **The Designers Edge, Inc.**, Bellevue, WA (US)
(**) Term: **14 Years**

2,472,748 6/1949 Labus .
2,824,429 2/1958 Zucker .
3,500,739 3/1970 Dry .
3,938,430 2/1976 Koppang .
5,334,091 8/1994 Shih-Chin .
5,370,576 12/1994 Krofchalk .

* cited by examiner

(21) Appl. No.: **29/127,734**
(22) Filed: **Aug. 11, 2000**

Primary Examiner—Lisa Lichtenstein
(74) *Attorney, Agent, or Firm*—Dean A. Craine

Related U.S. Application Data

(62) Division of application No. 29/101,411, filed on Mar. 3, 1999, which is a continuation of application No. 09/032,413, filed on Feb. 27, 1998, now Pat. No. 5,971,847.

(51) **LOC (7) Cl.** **23-04**
(52) **U.S. Cl.** **D23/393**
(58) **Field of Search** D23/393, 370;
454/290, 316, 322, 335, 325

(57) **CLAIM**

The ornamental design for an air vent, as shown and described.

DESCRIPTION

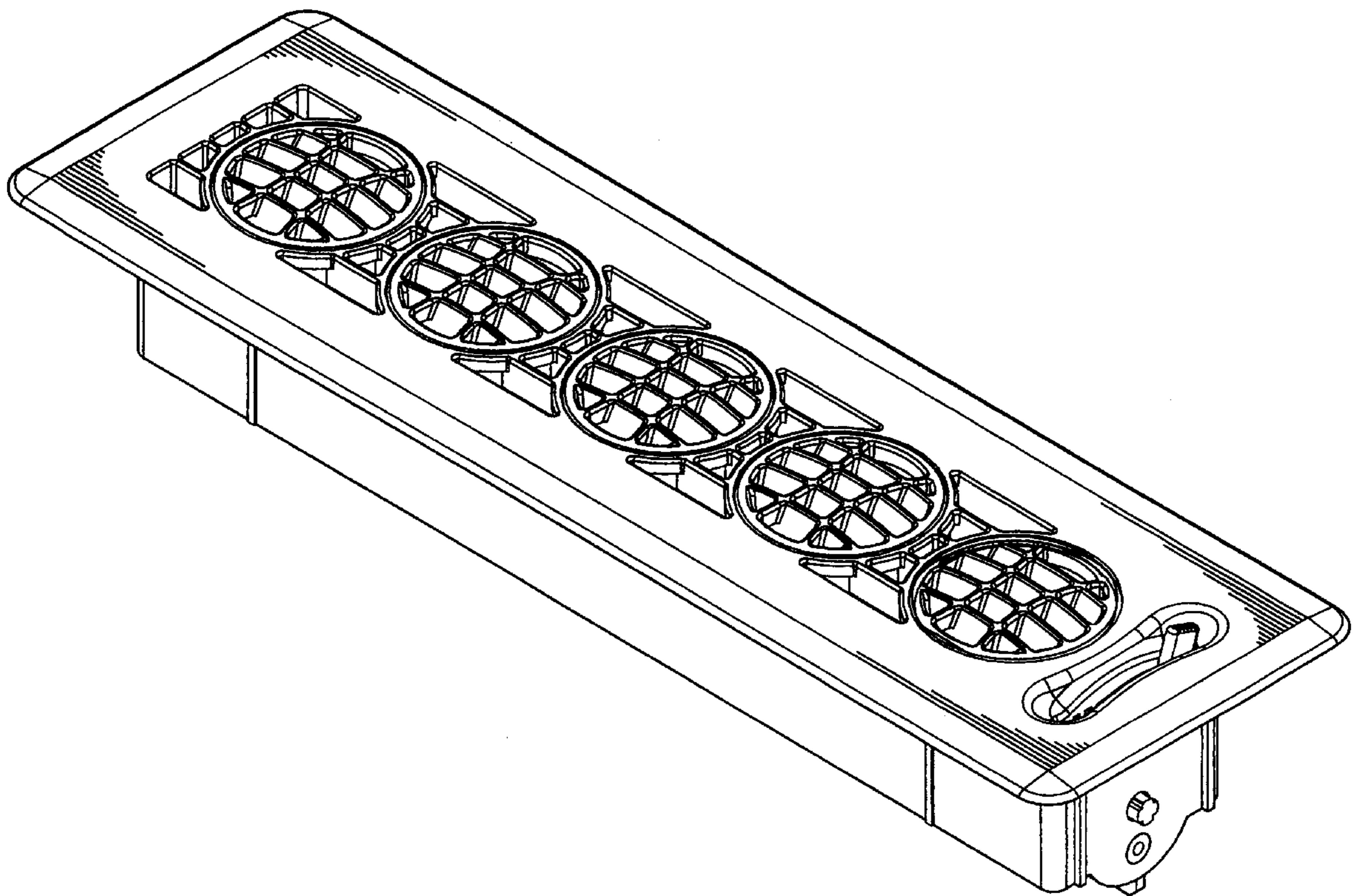
FIG. 1 is a perspective view of the subject design air vent.
FIG. 2 is a top plan view of the invention.
FIG. 3 is a bottom plan view of the invention.
FIG. 4 is a front elevation view of the invention.
FIG. 5 is a rear elevation view of the invention.
FIG. 6 is a left side elevation view of the invention; and,
FIG. 7 is a right side elevation view of the invention.

(56) **References Cited**

U.S. PATENT DOCUMENTS

D. 358,205 * 5/1995 Ruhland D23/393

1 Claim, 3 Drawing Sheets



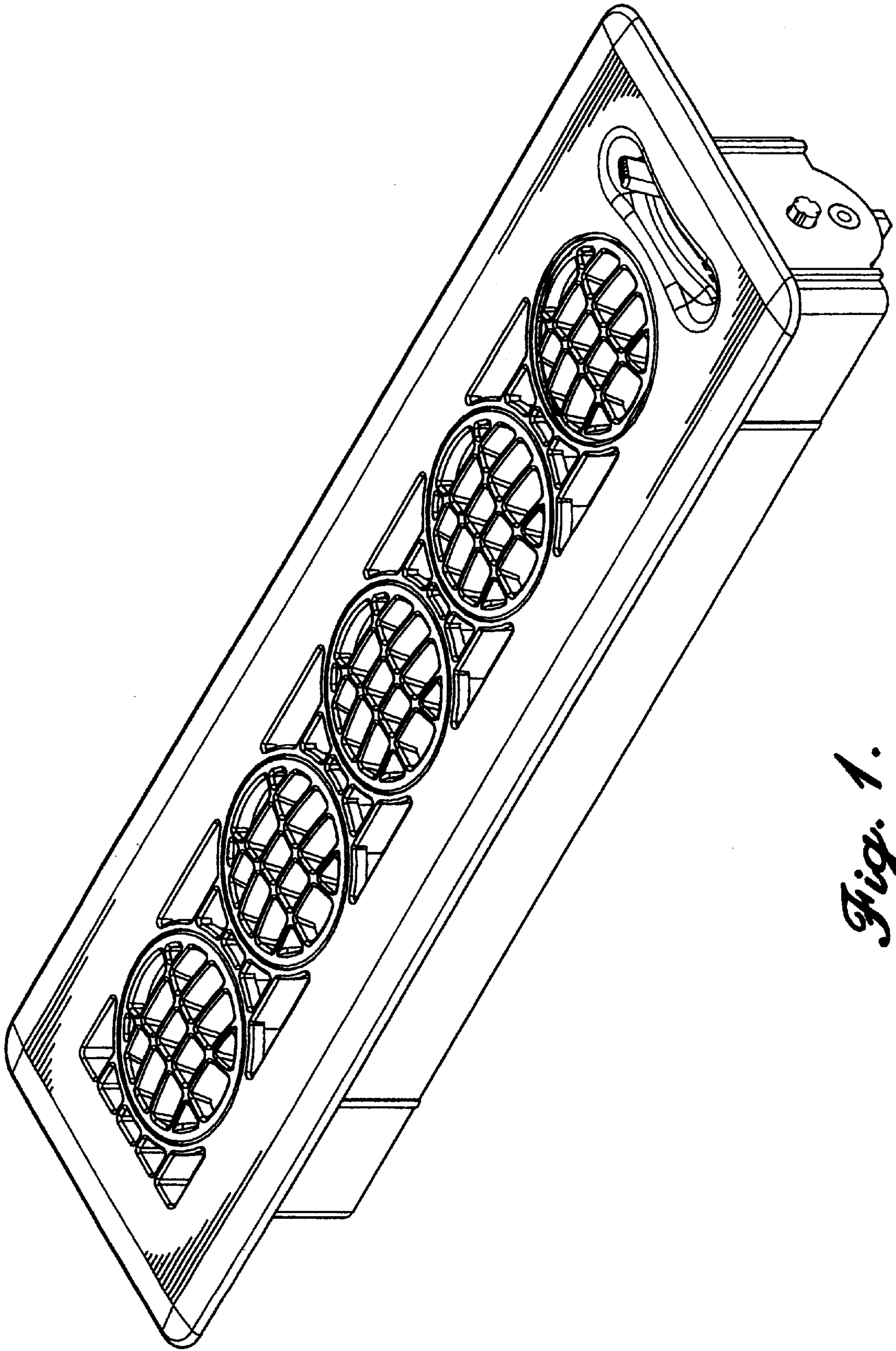


Fig. 1.

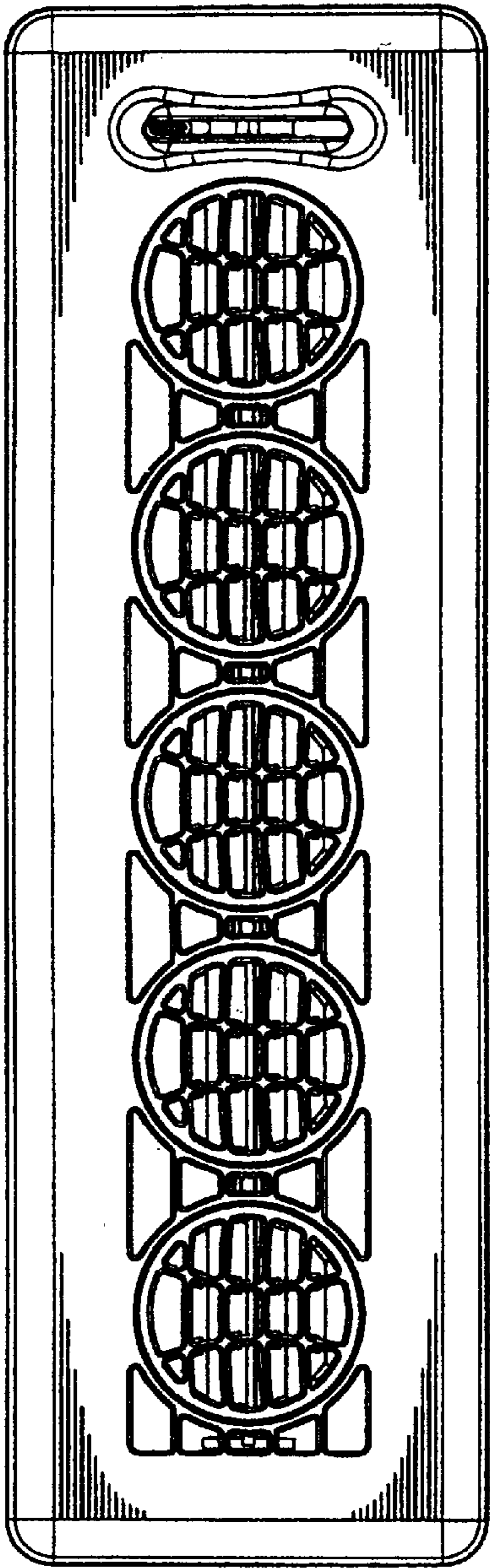


Fig. 2.

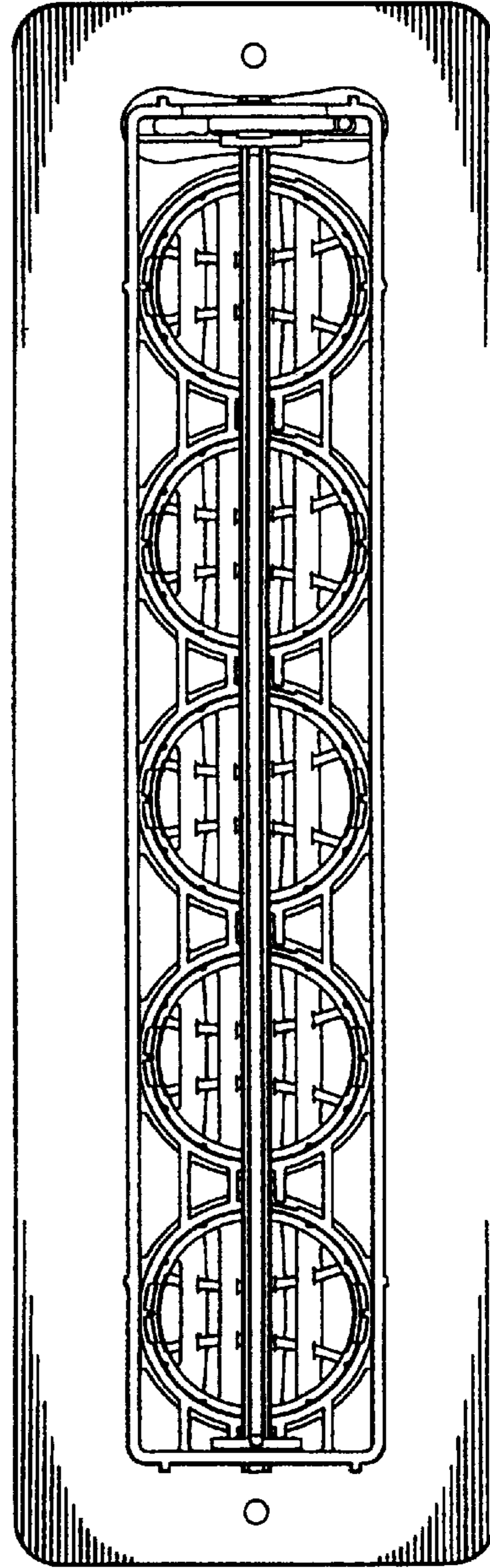


Fig. 3.

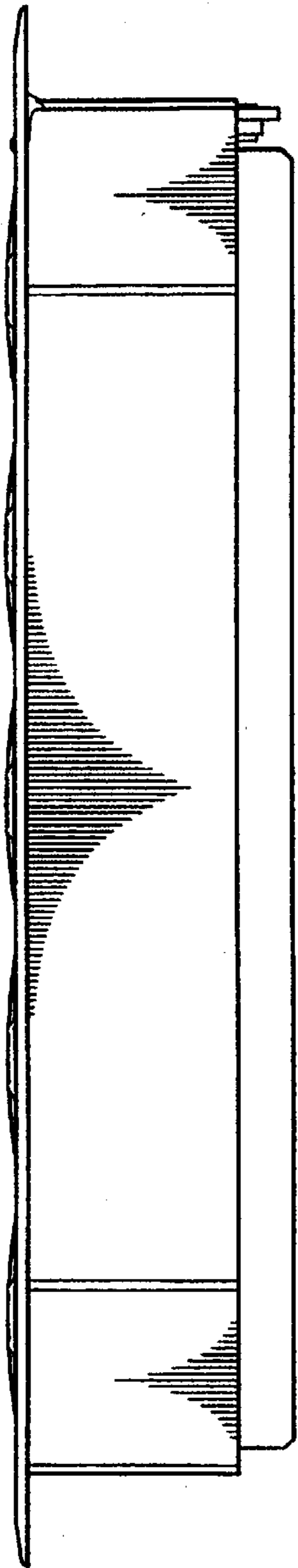


Fig. 4.

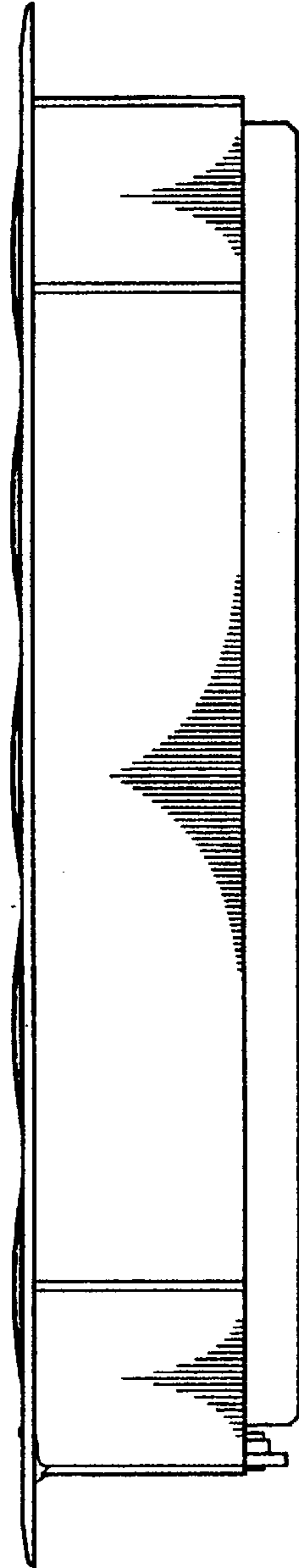


Fig. 5.

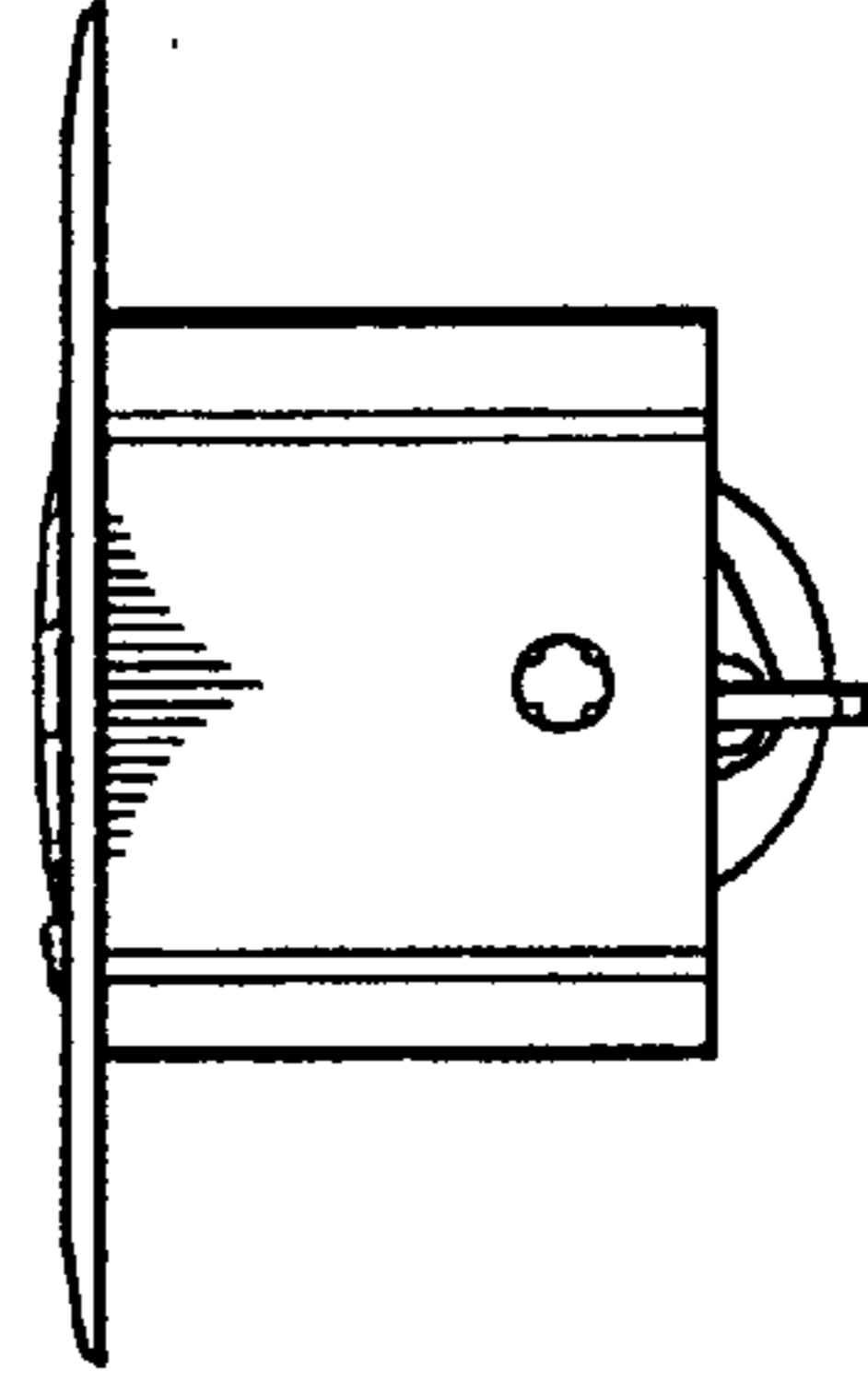


Fig. 7.

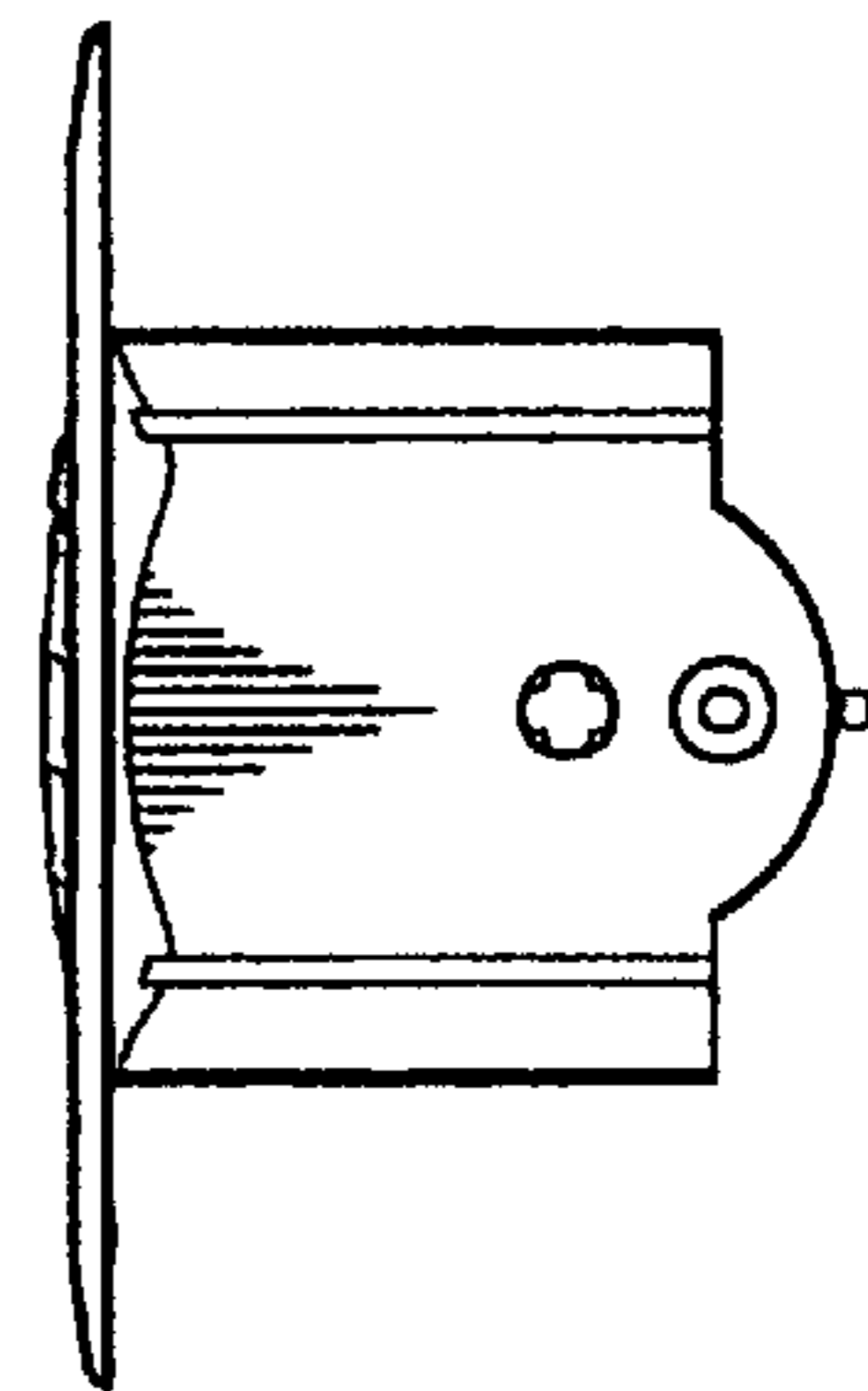


Fig. 6.