



US00D444869S

(12) **United States Design Patent**
Yip

(10) **Patent No.:** **US D444,869 S**

(45) **Date of Patent:** **** Jul. 10, 2001**

(54) **EXHAUST FAN**

(76) **Inventor:** **Chung Lun Yip**, 3rd Floor, Blocks A & C, King Yip Factory Building, No. 59 King Yip Street, Kwun Tong, Kowloon (HK)

(**) **Term:** **14 Years**

(21) **Appl. No.:** **29/116,481**

(22) **Filed:** **Jan. 5, 2000**

(51) **LOC (7) Cl.** **23-04**

(52) **U.S. Cl.** **D23/371**

(58) **Field of Search** D23/371; 416/223 R, 416/238, 243; 415/214.1, 220, 223, 182.1; 454/341, 354

(56) **References Cited**

U.S. PATENT DOCUMENTS

4,685,513 * 8/1987 Longhouse et al. 165/121

* cited by examiner

Primary Examiner—Lisa Lichtenstein

(74) *Attorney, Agent, or Firm*—Brinks Hofer Gilson & Lione

(57) **CLAIM**

The ornamental design for an exhaust fan, as shown and described.

DESCRIPTION

FIG. 1 is a front view of an exhaust fan that incorporates my new design, showing the door in an opened position;

FIG. 2 is a left side view thereof, showing the door in the opened position;

FIG. 3 is a right side view thereof, showing the door in the opened position;

FIG. 4 is a rear view thereof, showing the door in the opened position;

FIG. 5 is a top view thereof, showing the door in the opened position;

FIG. 6 is a bottom view thereof, showing the door in the opened position;

FIG. 7 is a front bottom perspective view thereof, showing the door in the opened position;

FIG. 8 is a rear top perspective view thereof, showing the door in the opened position;

FIG. 9 is a front view thereof, showing the door in the closed position;

FIG. 10 is a left side view thereof, showing the door in the closed position;

FIG. 11 is a right side view thereof, showing the door in the closed position;

FIG. 12 is a rear view thereof, showing the door in the closed position;

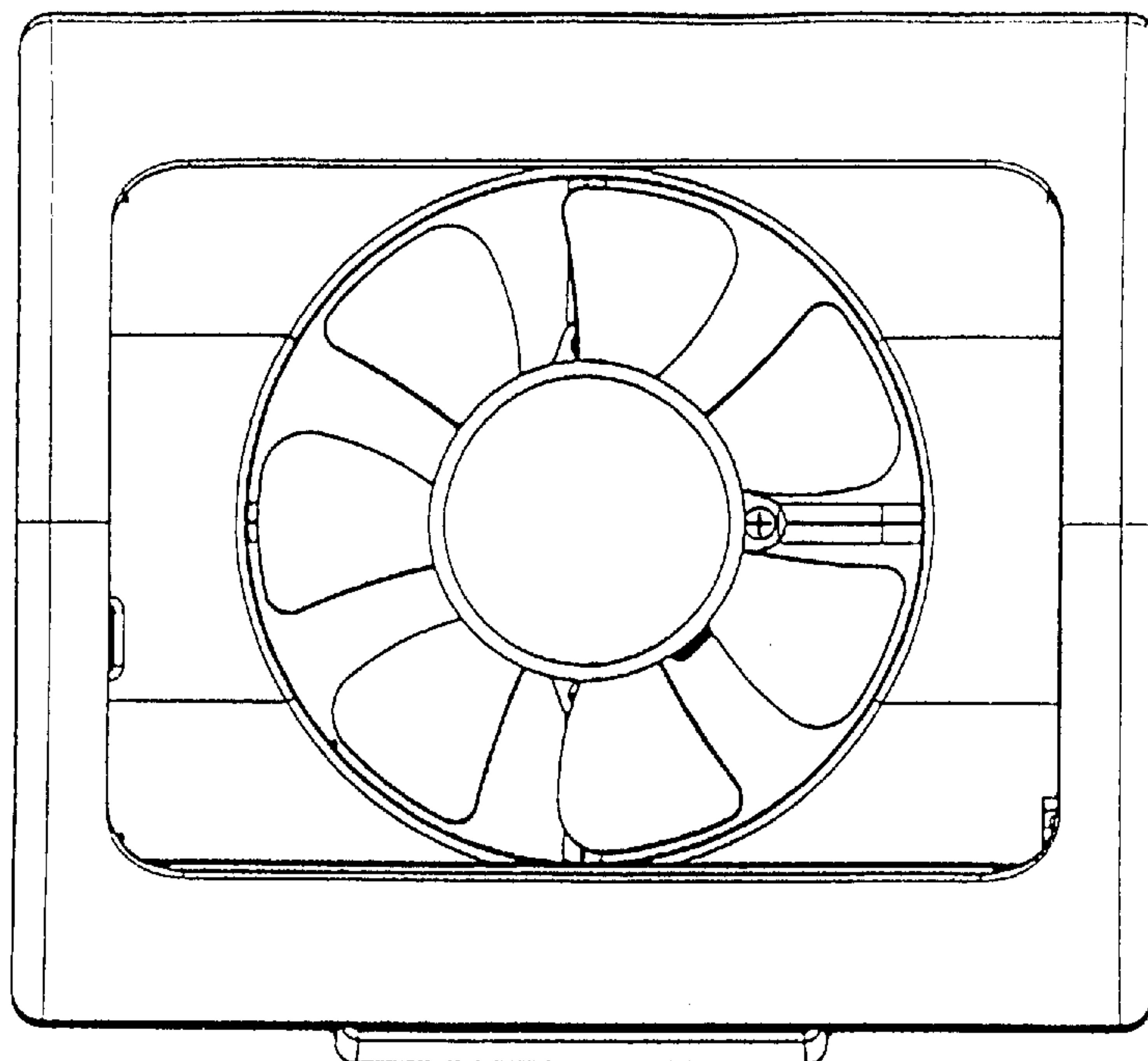
FIG. 13 is a top view thereof, showing the door in the closed position;

FIG. 14 is a bottom view thereof, showing the door in the closed position;

FIG. 15 is a front bottom perspective view thereof, showing the door in the closed position; and,

FIG. 16 is a rear top perspective view thereof, showing the door in the closed position.

1 Claim, 8 Drawing Sheets



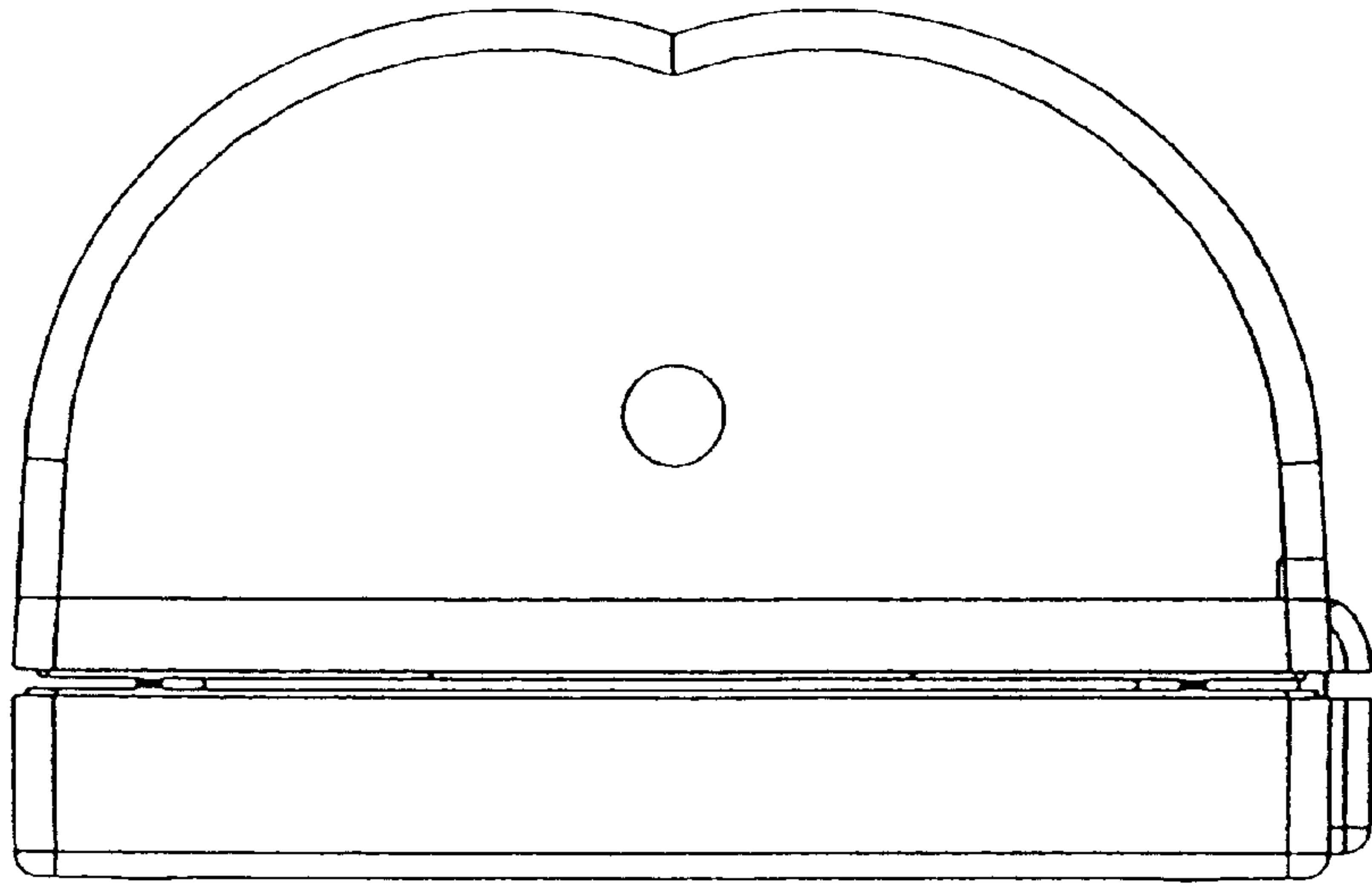


Fig. 2

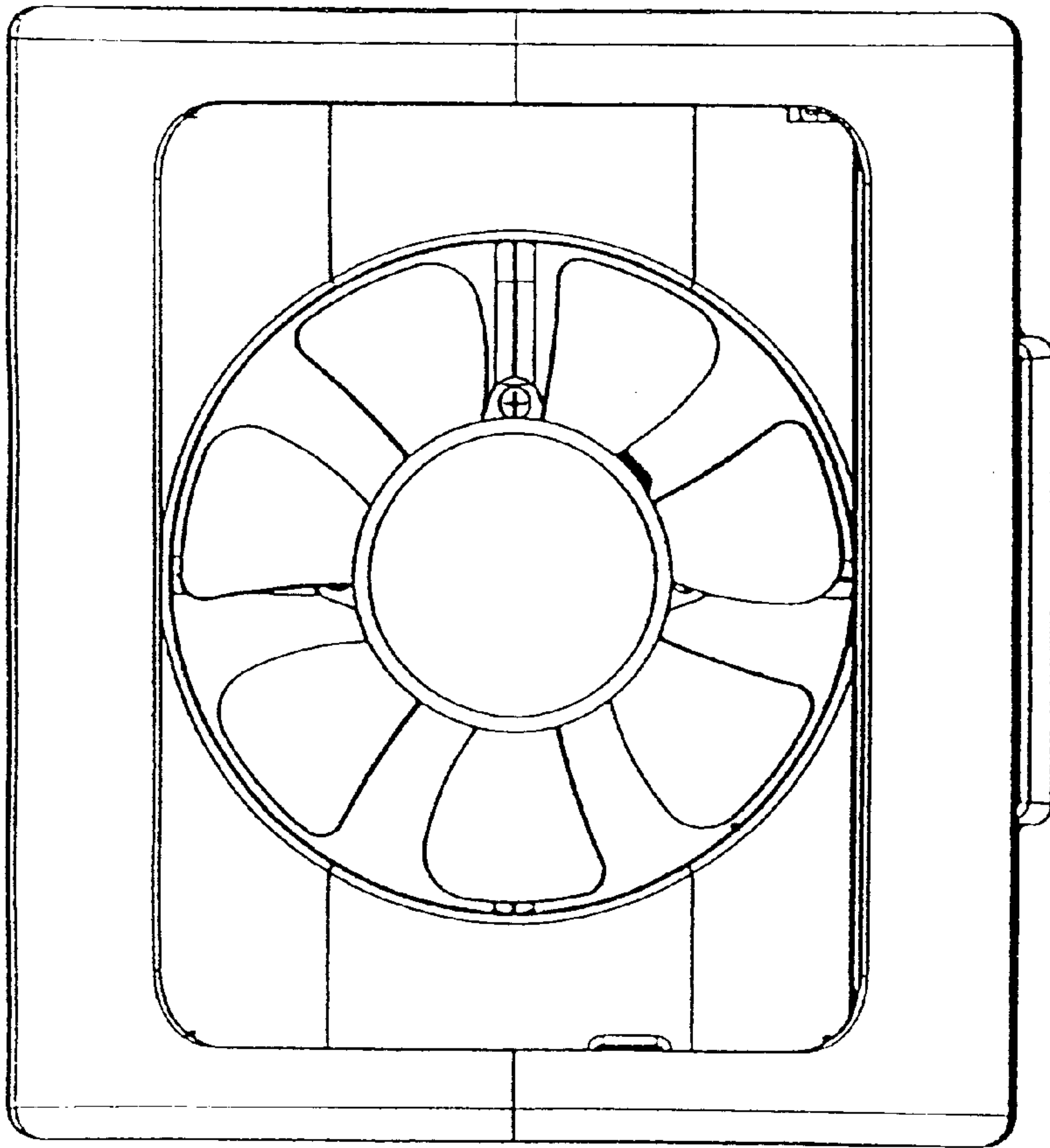


Fig. 1

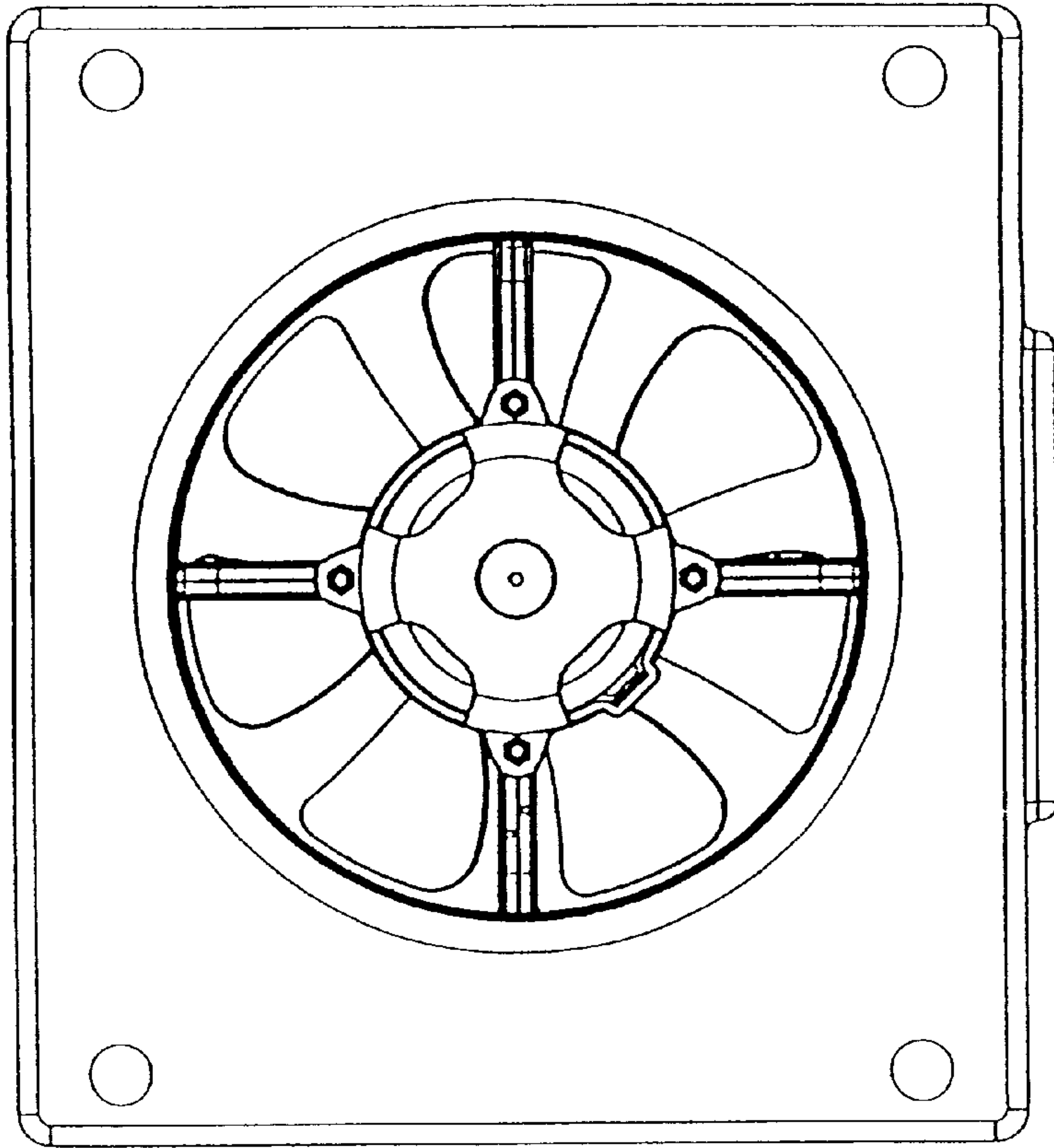


FIG. 4

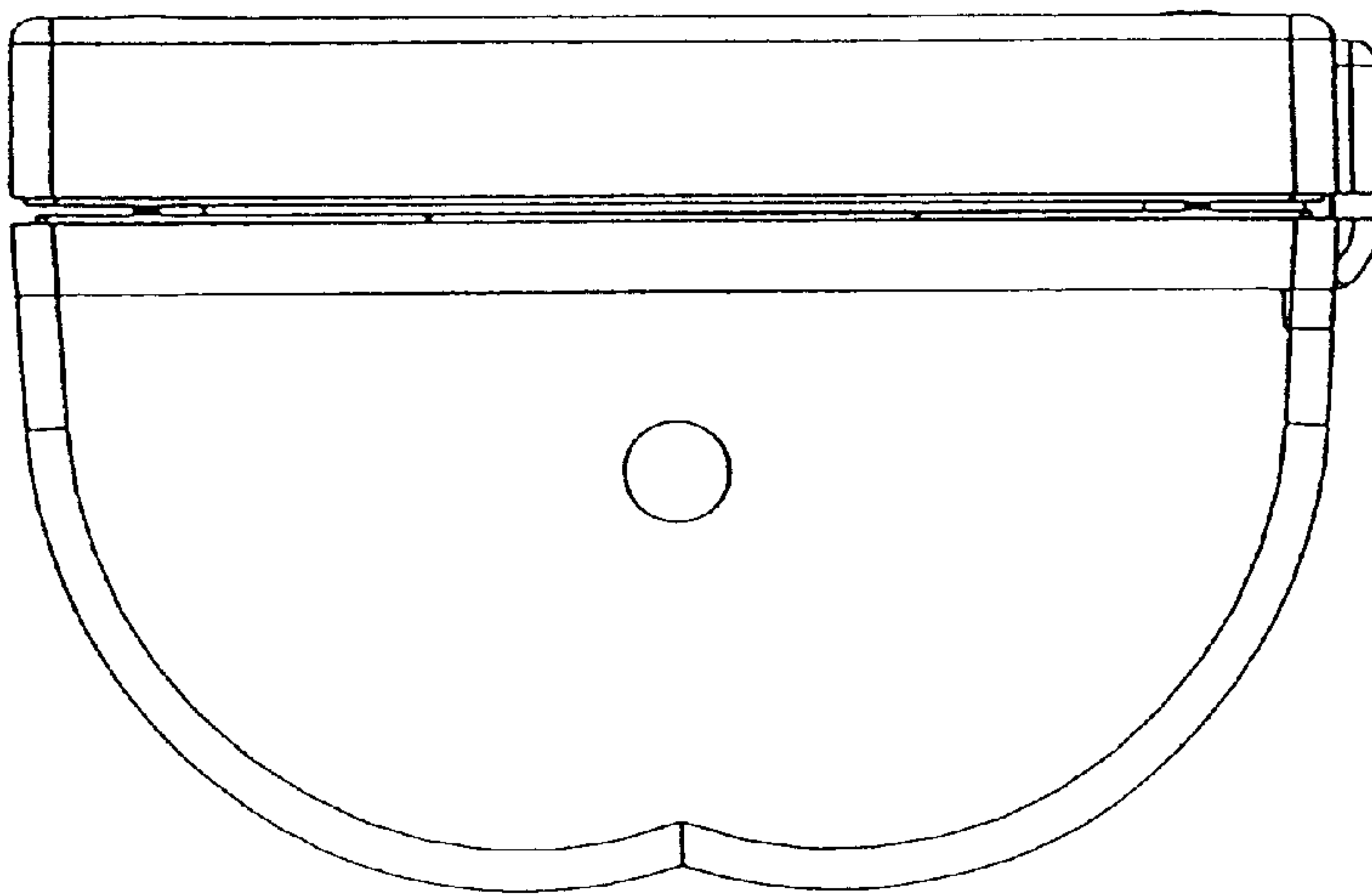


FIG. 3

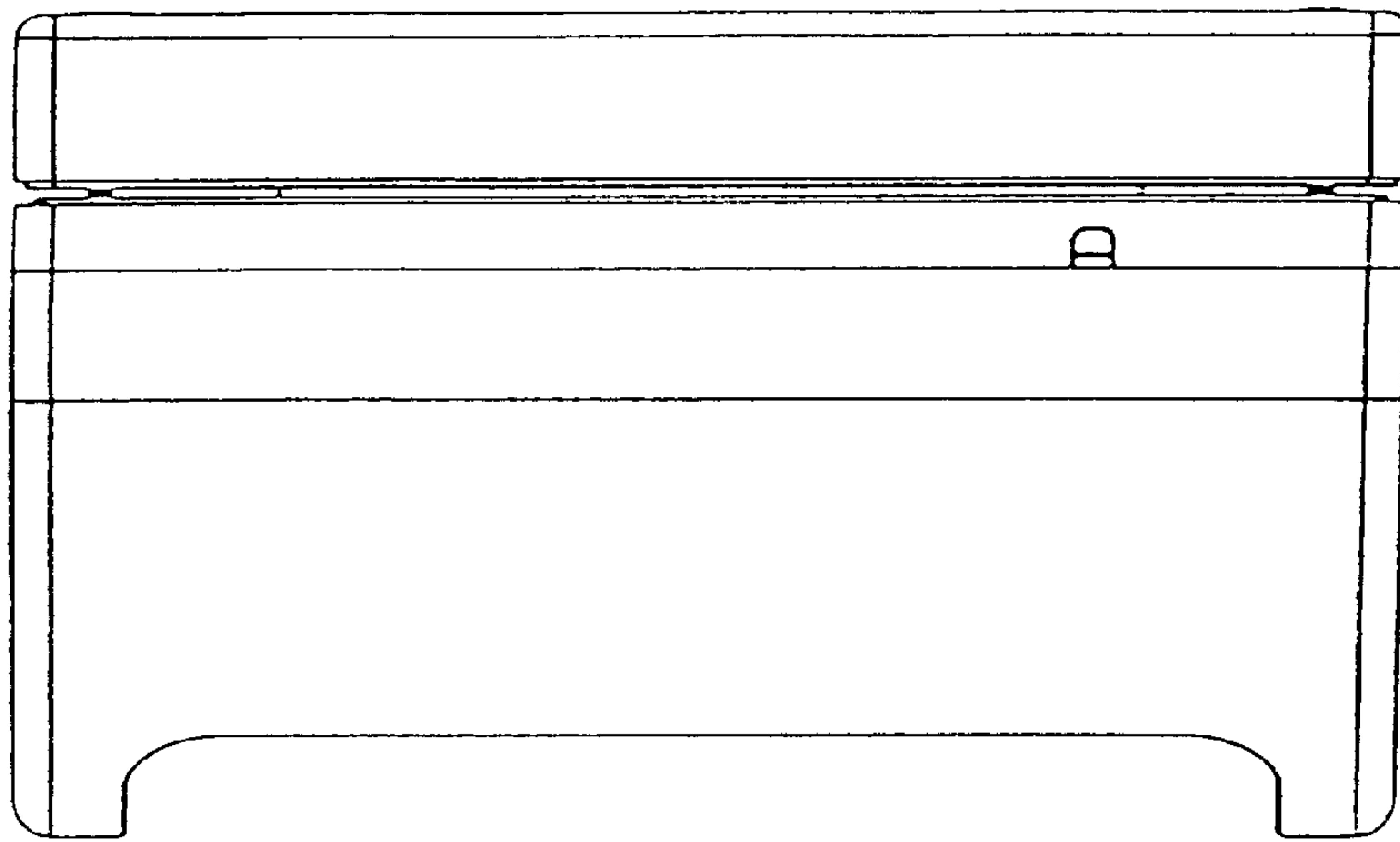


Fig. 5

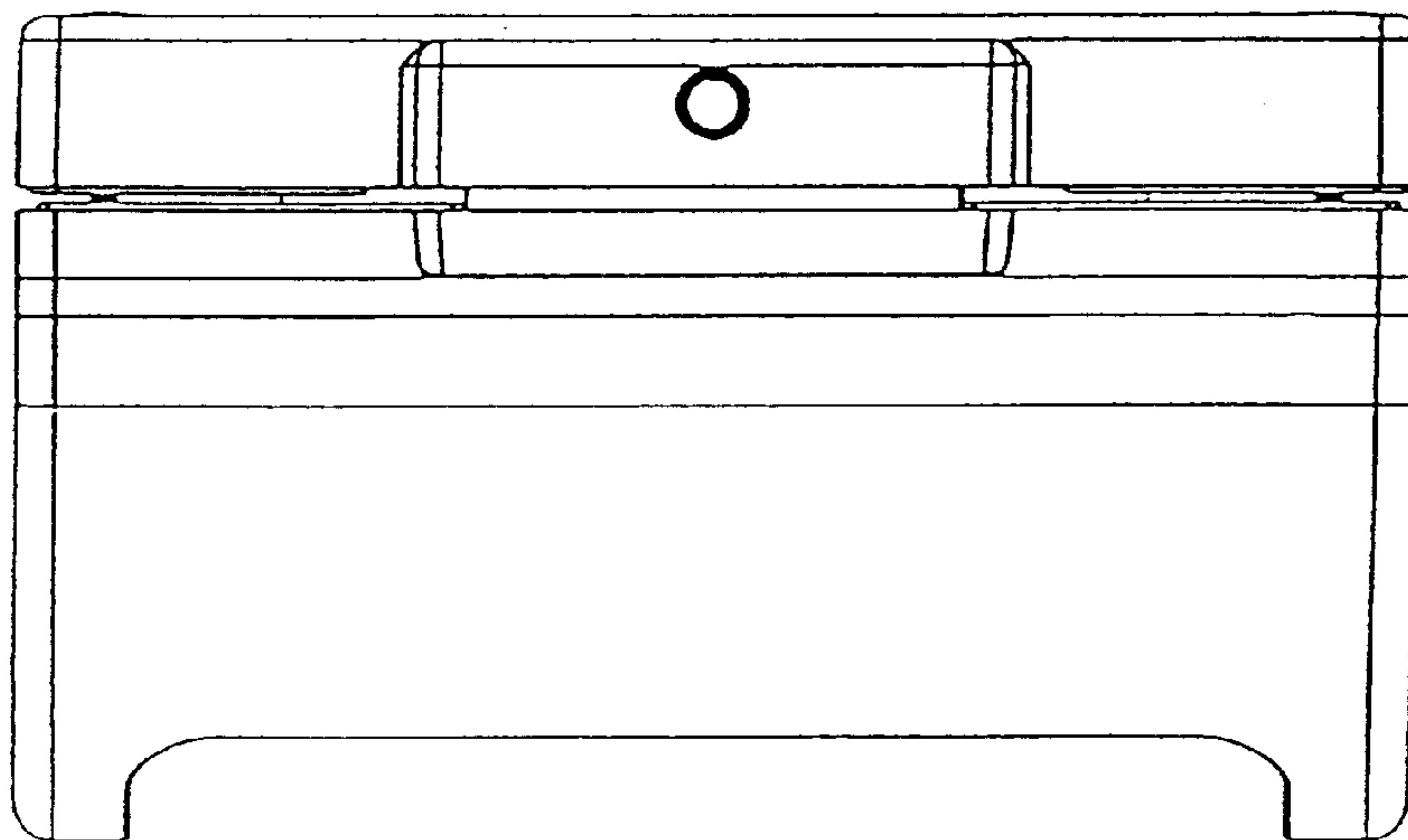


Fig. 6

Fig. 7

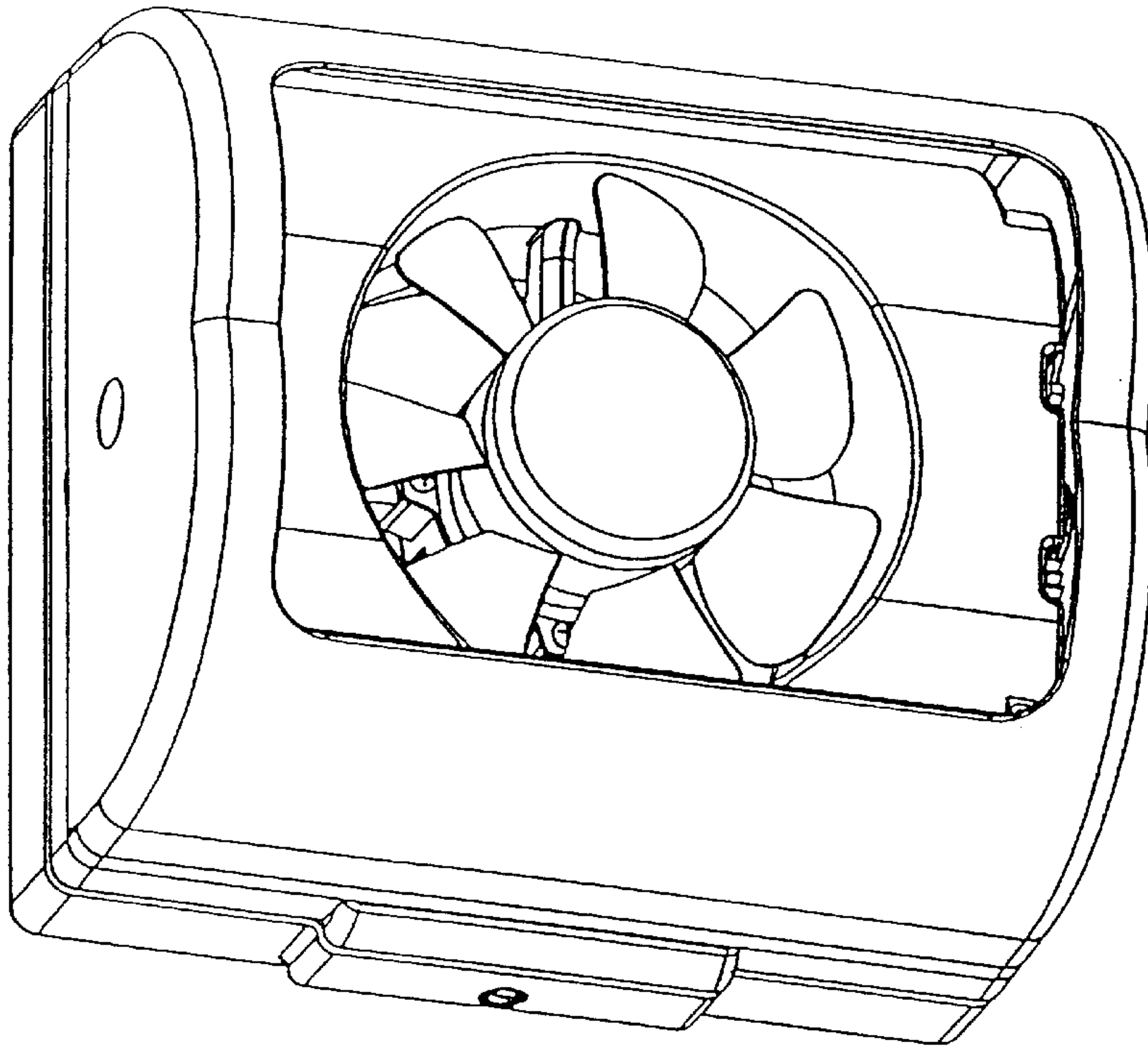
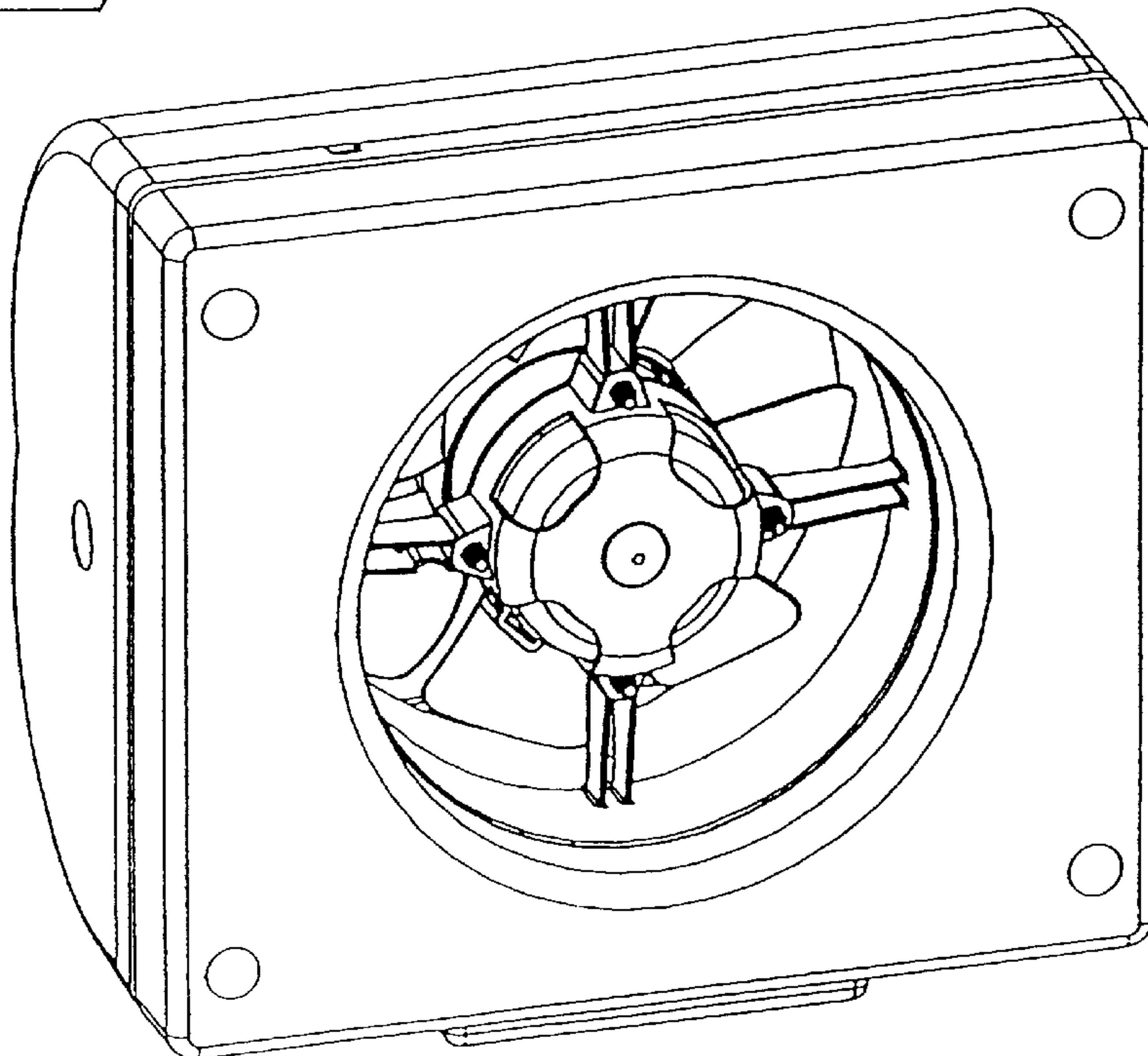


Fig. 8



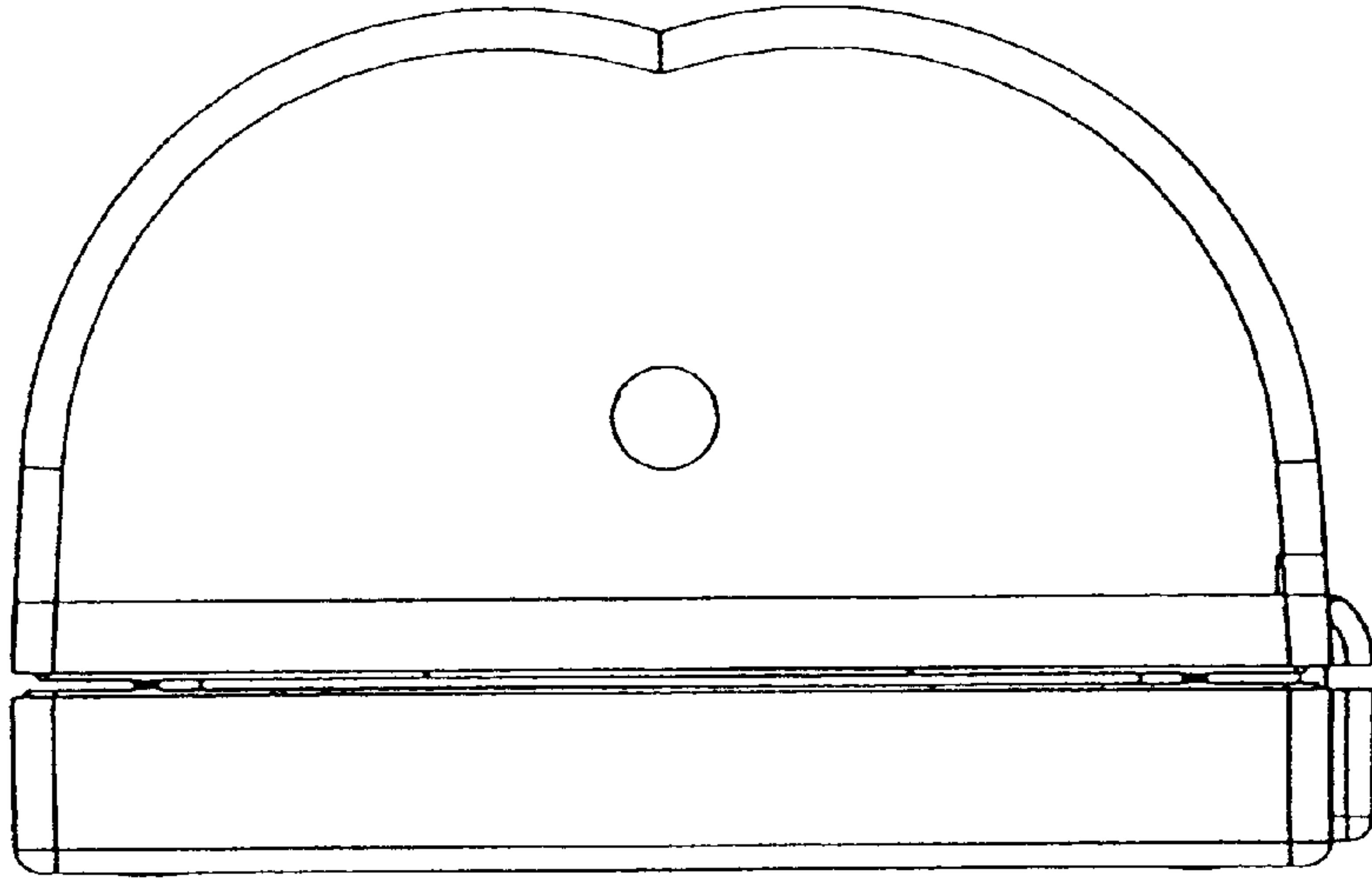


FIG. 10

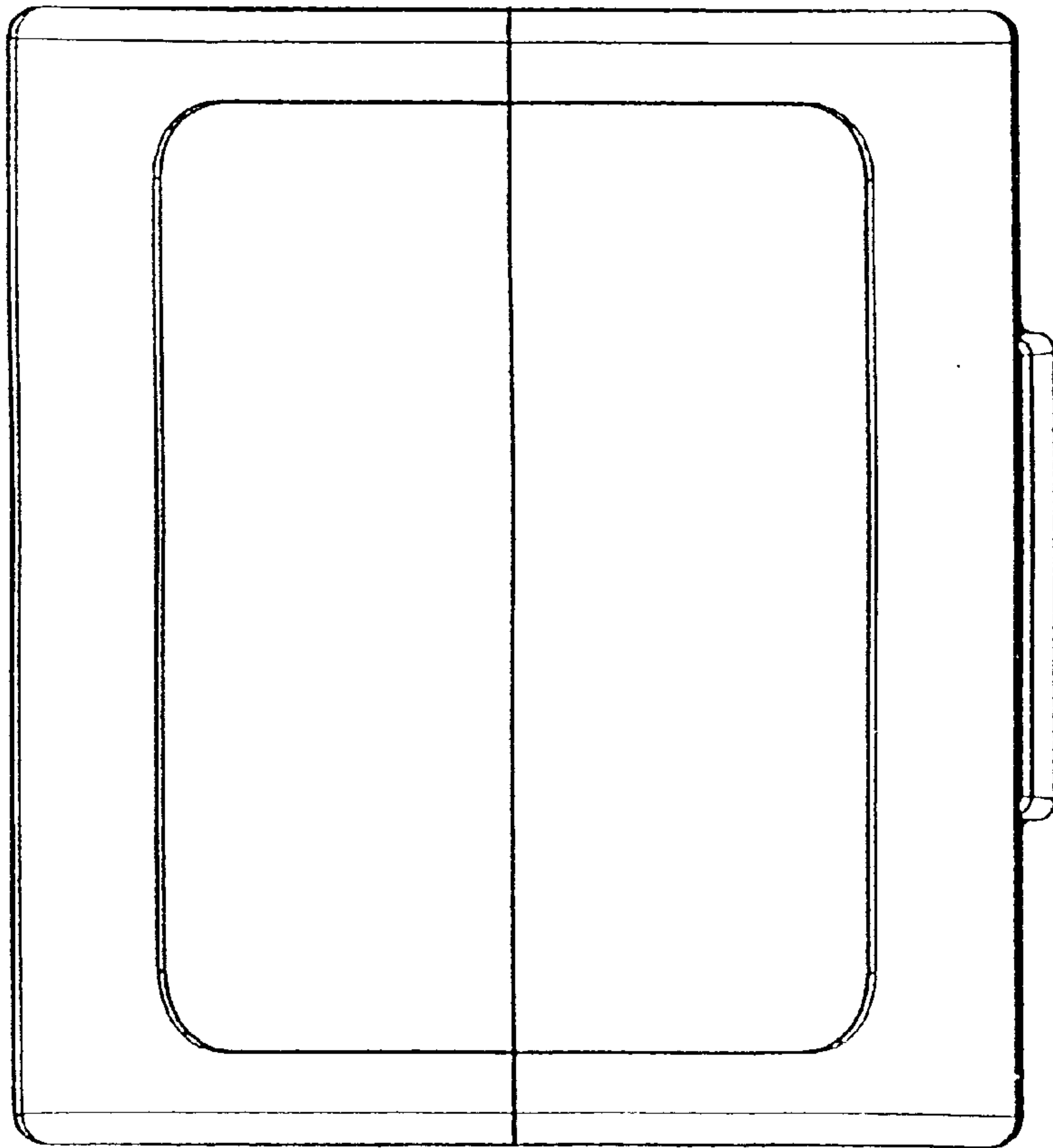


FIG. 9

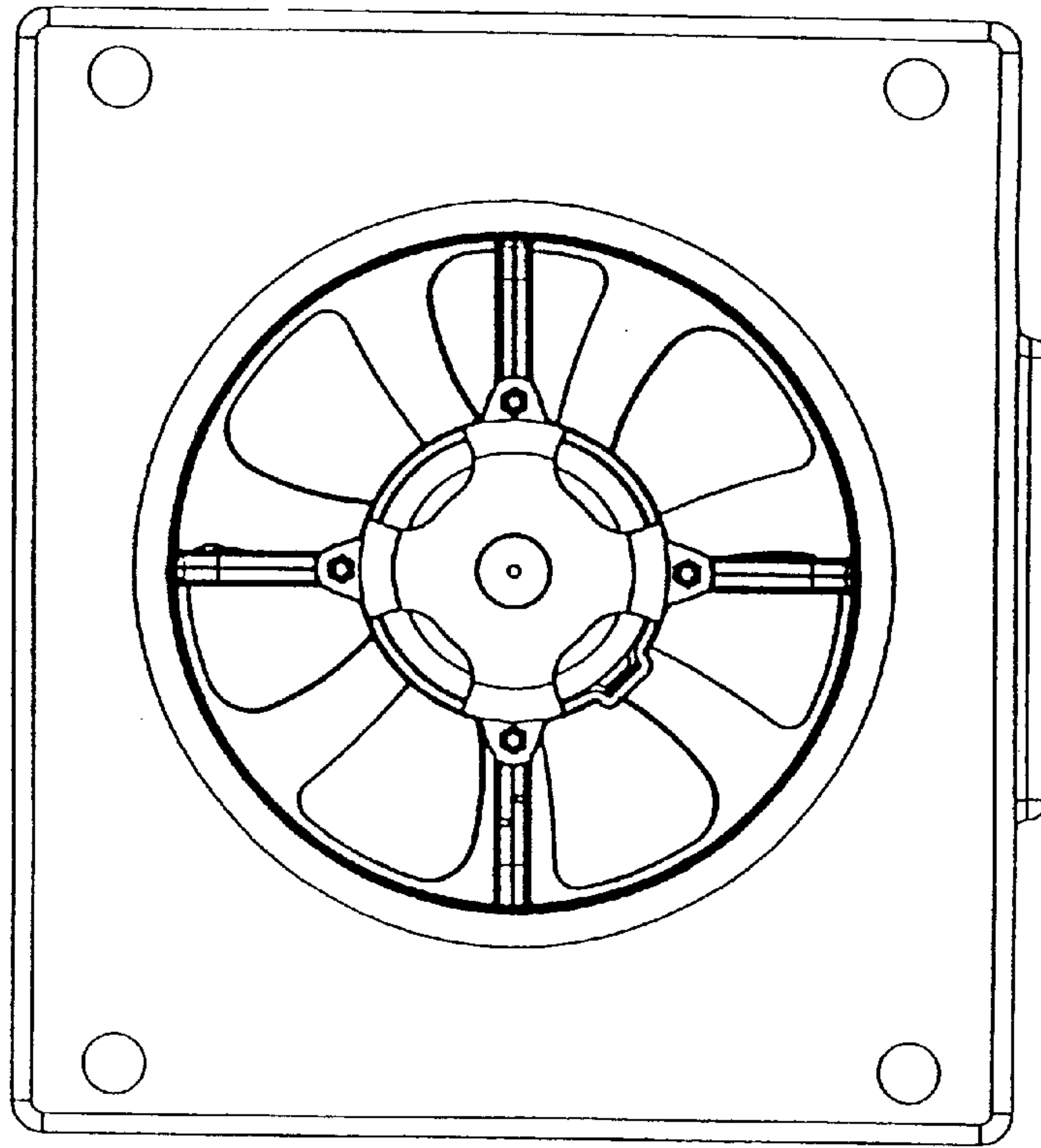


Fig. 12

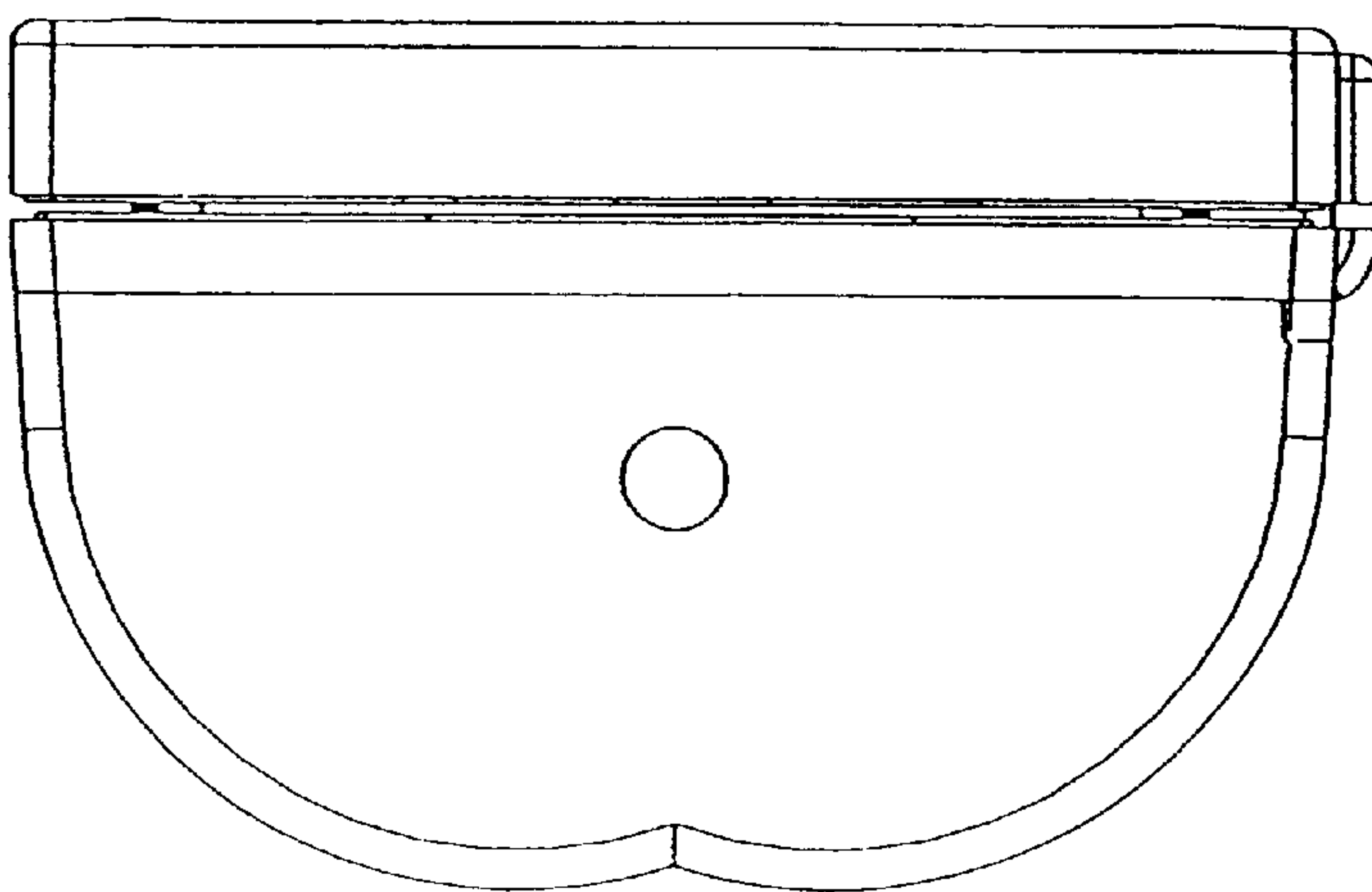


Fig. 11

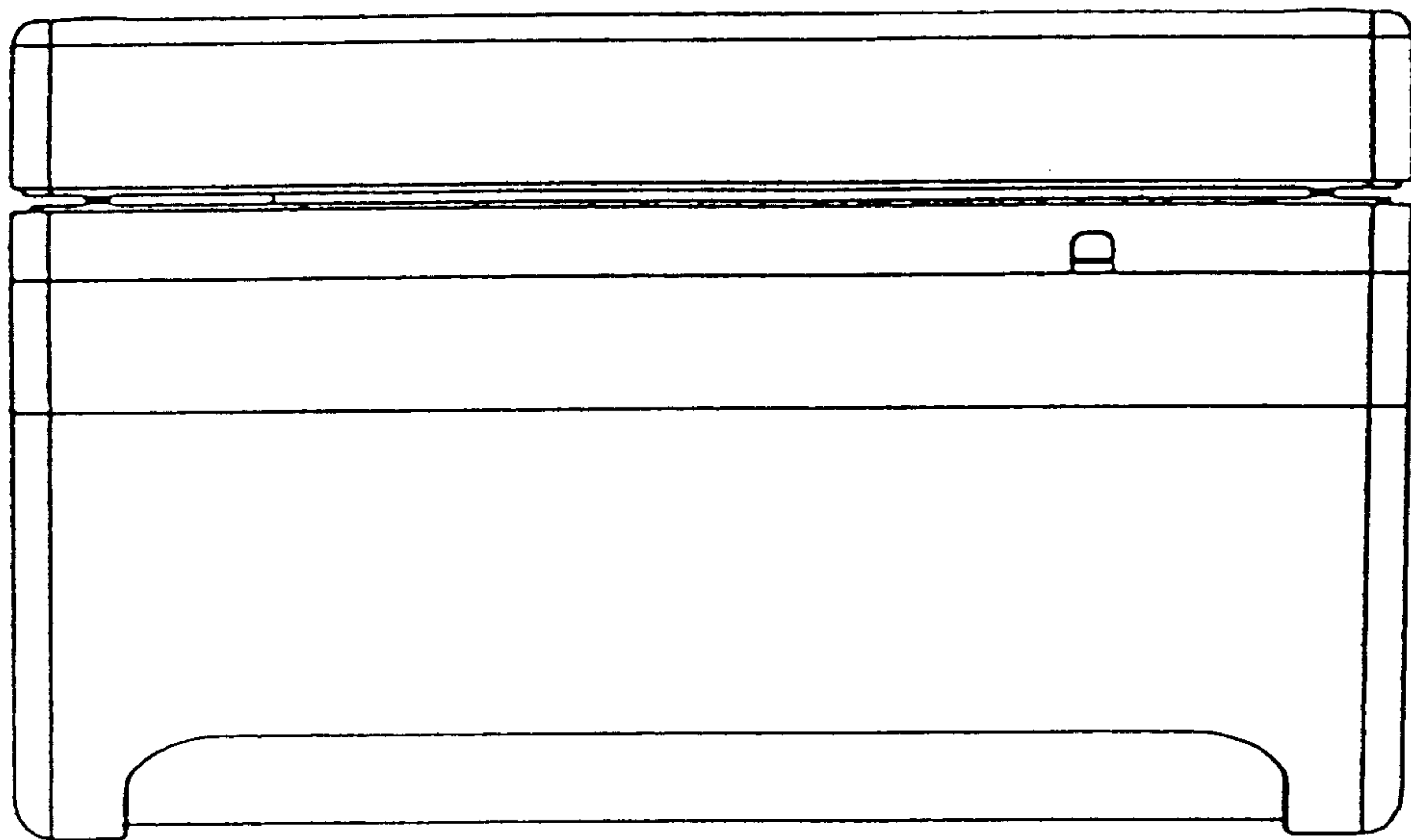


Fig. 13

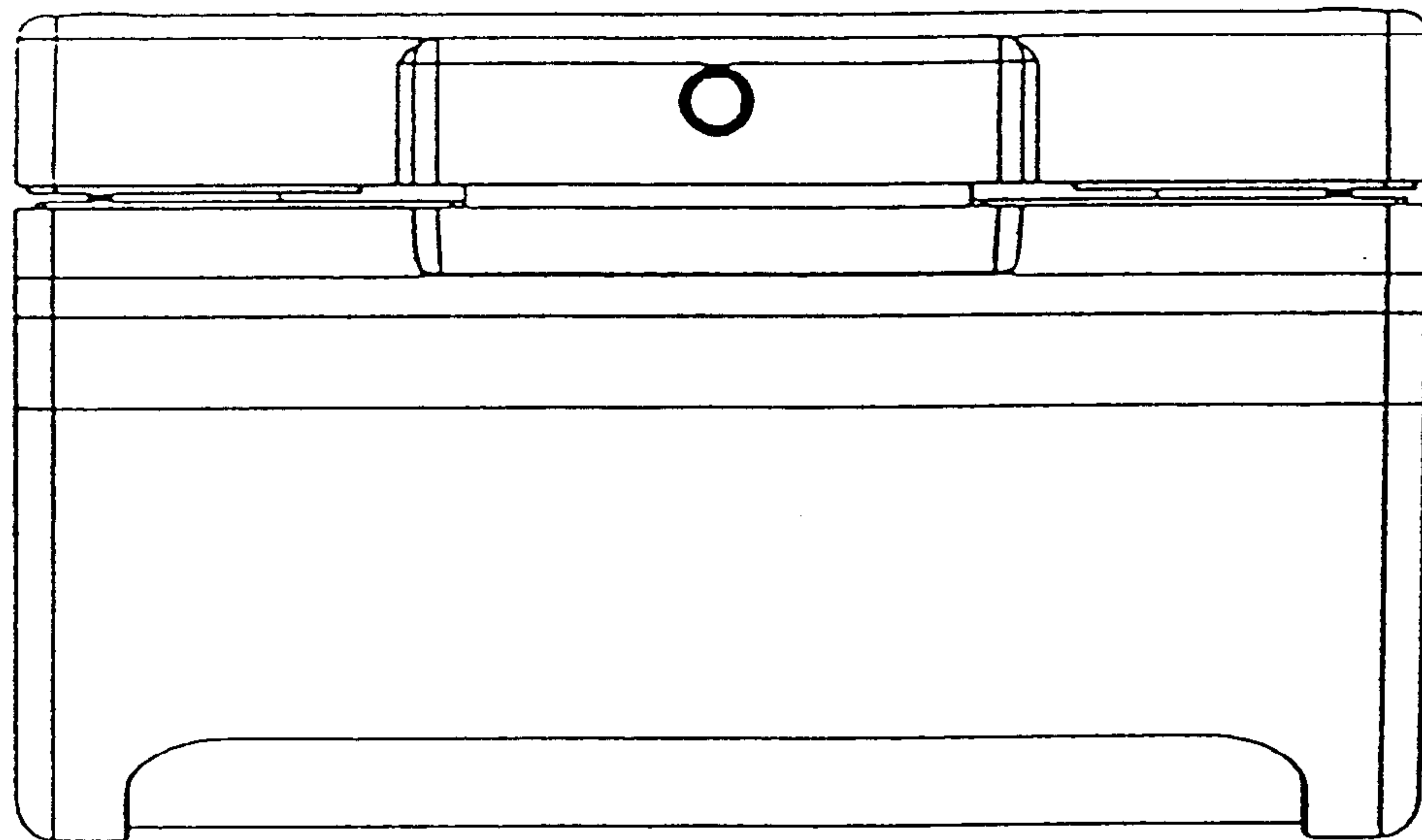


Fig. 14

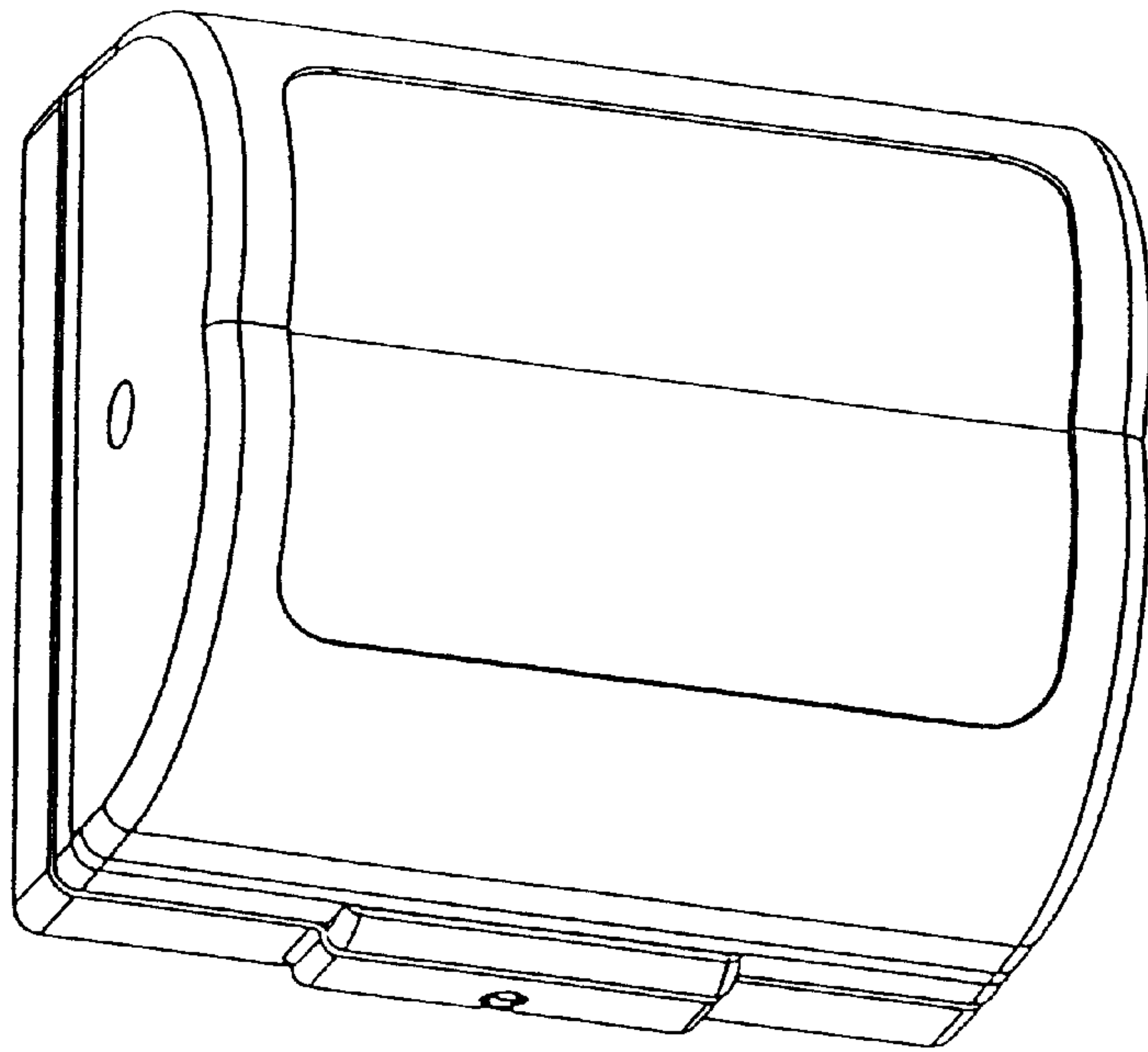


Fig. 15

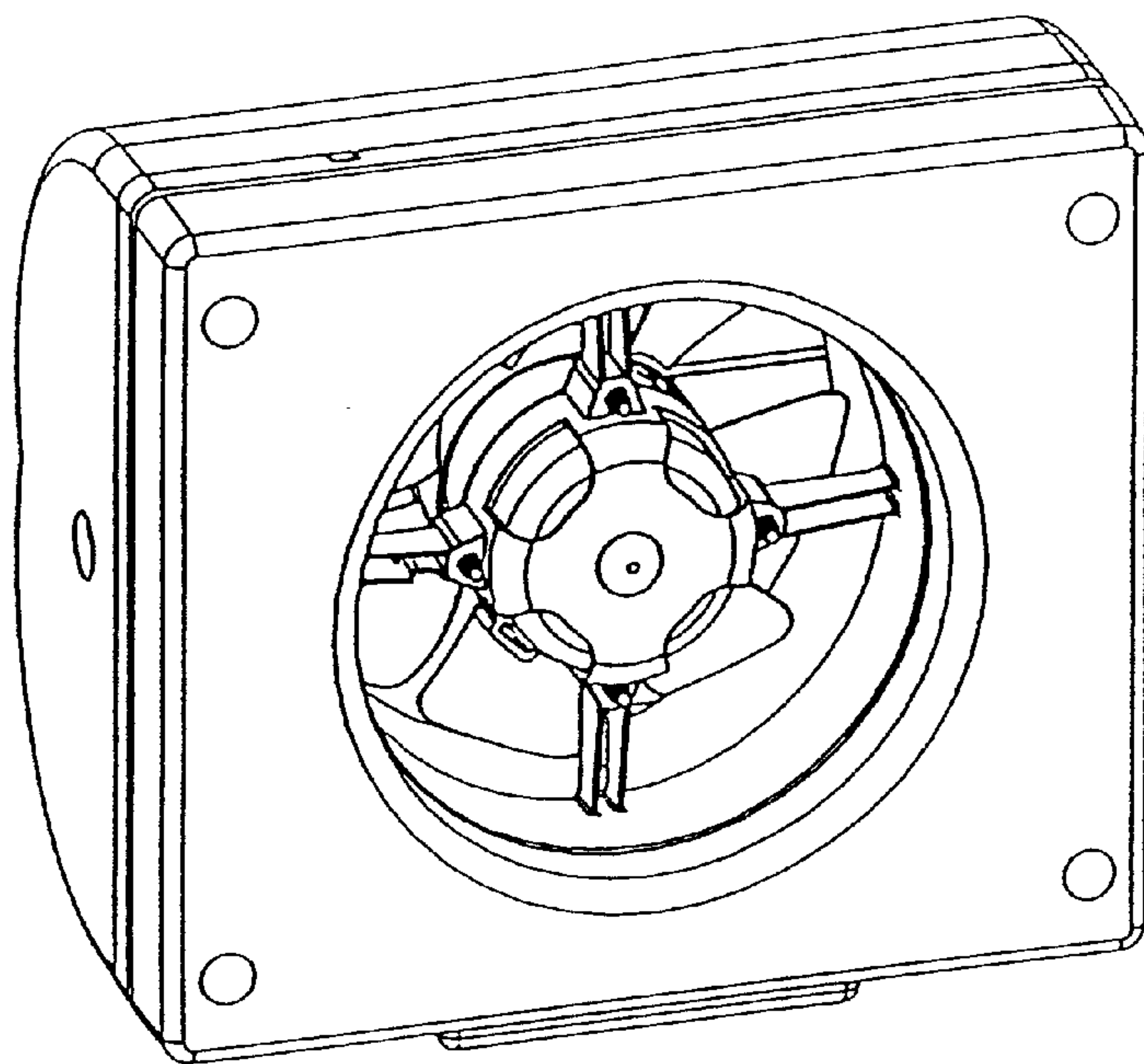


Fig. 16