



US00D444867S

(12) **United States Design Patent**  
Millard et al.

(10) **Patent No.:** **US D444,867 S**

(45) **Date of Patent:** **\*\* Jul. 10, 2001**

(54) **STAND**

(75) Inventors: **Theresa J. Millard**, Sheboygan Falls;  
**Mary J. Reid**, Sheboygan, both of WI  
(US)

(73) Assignee: **Kohler Co.**, Kohler, WI (US)

(\*\*) Term: **14 Years**

(21) Appl. No.: **29/121,407**

(22) Filed: **Apr. 6, 2000**

(51) **LOC (7) Cl.** ..... **23-02**

(52) **U.S. Cl.** ..... **D23/308**

(58) **Field of Search** ..... D23/270-274,  
D23/284-286, 289, 293.1, 303, 308; 4/619,  
630-632, 638, 640, 643; D6/396-397, 405,  
480, 574; 108/24, 156, 161

(56) **References Cited**

**U.S. PATENT DOCUMENTS**

- D. 226,562 \* 3/1973 Zakaski ..... D23/271
- D. 319,551 \* 9/1991 Lewis ..... D6/450
- D. 415,260 \* 10/1999 Jones ..... D23/284

**OTHER PUBLICATIONS**

- 1983 Porcher catalog ad showing a "Lutece" vanity top.
- Undated Kohler catalog ad, p. 46, showing a "Valcour" lavatory.
- 1929 Kohler catalog ad, p. 232-A, showing a "Deauville" dressing table.

Acanthus, Fig. 2, p. 2 and Honeysuckle, Fig. 191, p. 167:  
Architectural and Building Trades Dictionary, 1950.\*

Items #1344, 1345, 1348: Catalog of Ornamental Ironwork,  
Tennessee Fabricating Co., c. 1951.\*

Marble Console with Legs, p. 5, Buyline 6864, Kitchen &  
Bath Source Book, 1996/97.\*

\* cited by examiner

*Primary Examiner*—Louis S. Zarfaz

*Assistant Examiner*—Robert A. Delehanty

(74) *Attorney, Agent, or Firm*—Quarles & Brady LLP

(57) **CLAIM**

The ornamental design for a stand, as shown and described.

**DESCRIPTION**

In a preferred embodiment, the nature of this product is as  
a pedestal primarily useful for mounting a plumbing fixture  
such as a lavatory.

FIG. 1 is a left, top, front perspective view of a stand  
embodying our new design;

FIG. 2 is a front elevational view thereof;

FIG. 3 is a left side elevational view thereof, the right side  
elevational view being a mirror image of the left side shown;

FIG. 4 is a top plan view thereof; and,

FIG. 5 is a bottom plan view thereof.

The broken line representations of holes in FIGS. 1, 4, and  
5, of a lavatory bowl in FIGS. 1, 2, 3, and 5, and of support  
structure in FIG. 5 are for the purpose of illustration only,  
and form no part of the claimed design.

**1 Claim, 5 Drawing Sheets**

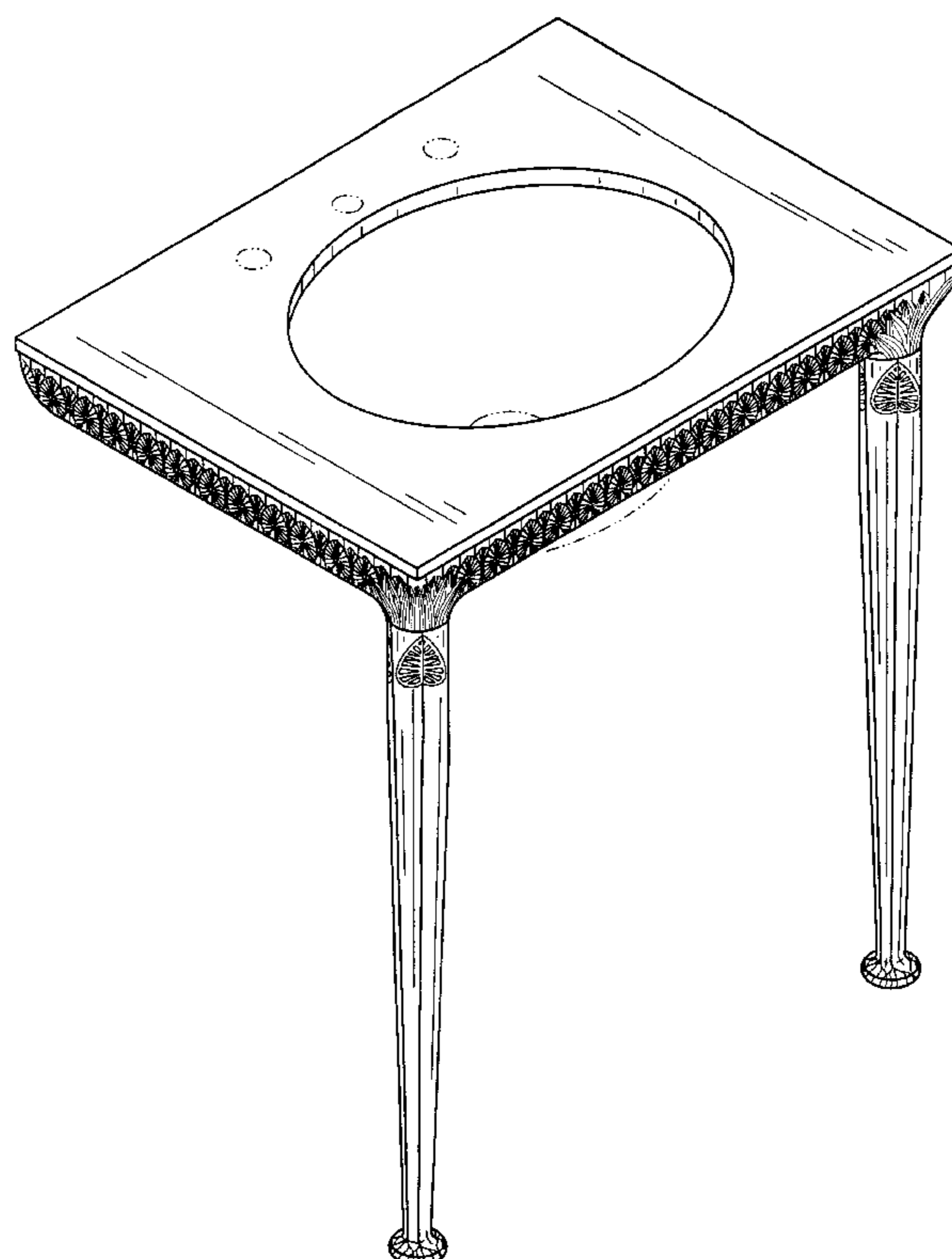


FIG. 1

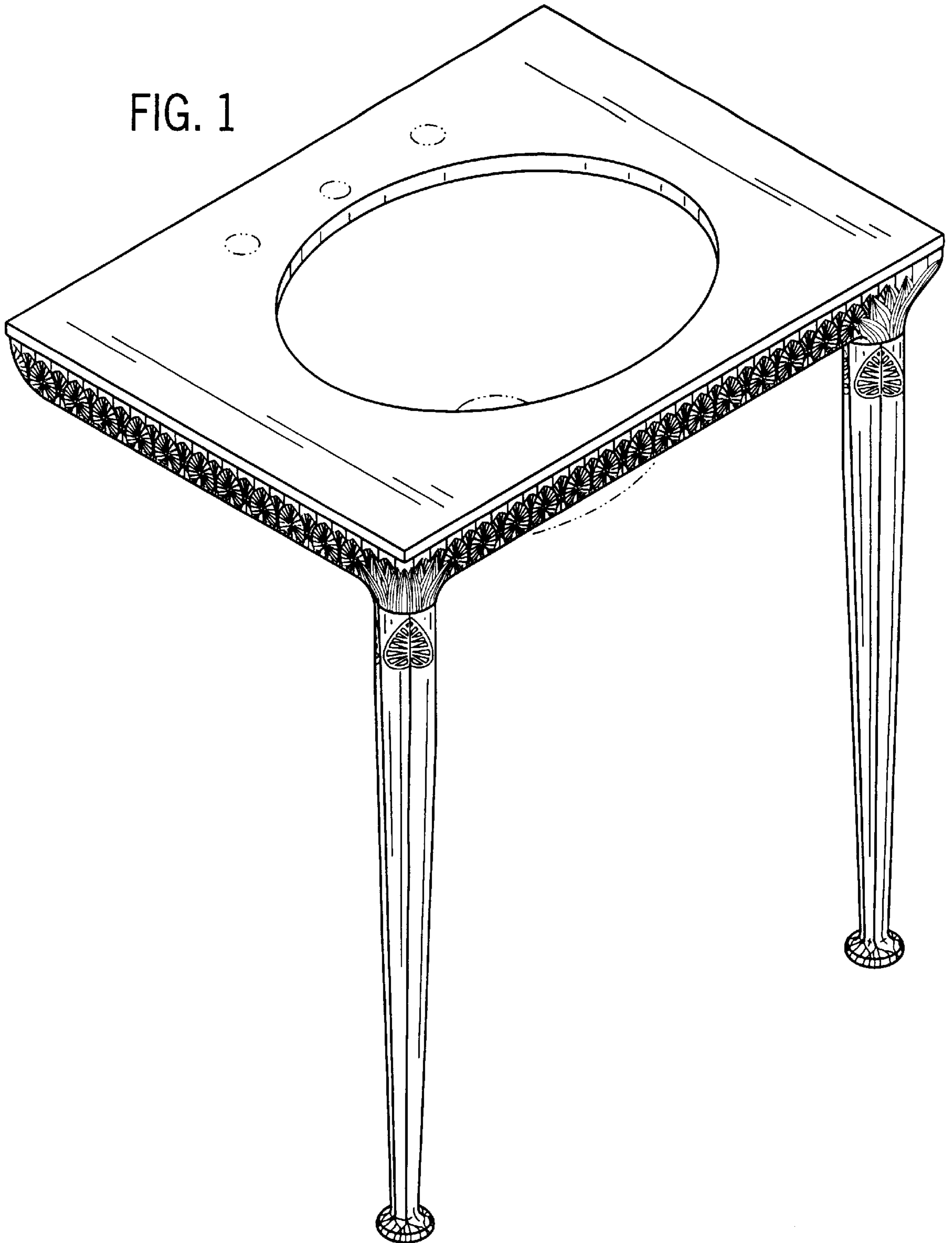


FIG. 2

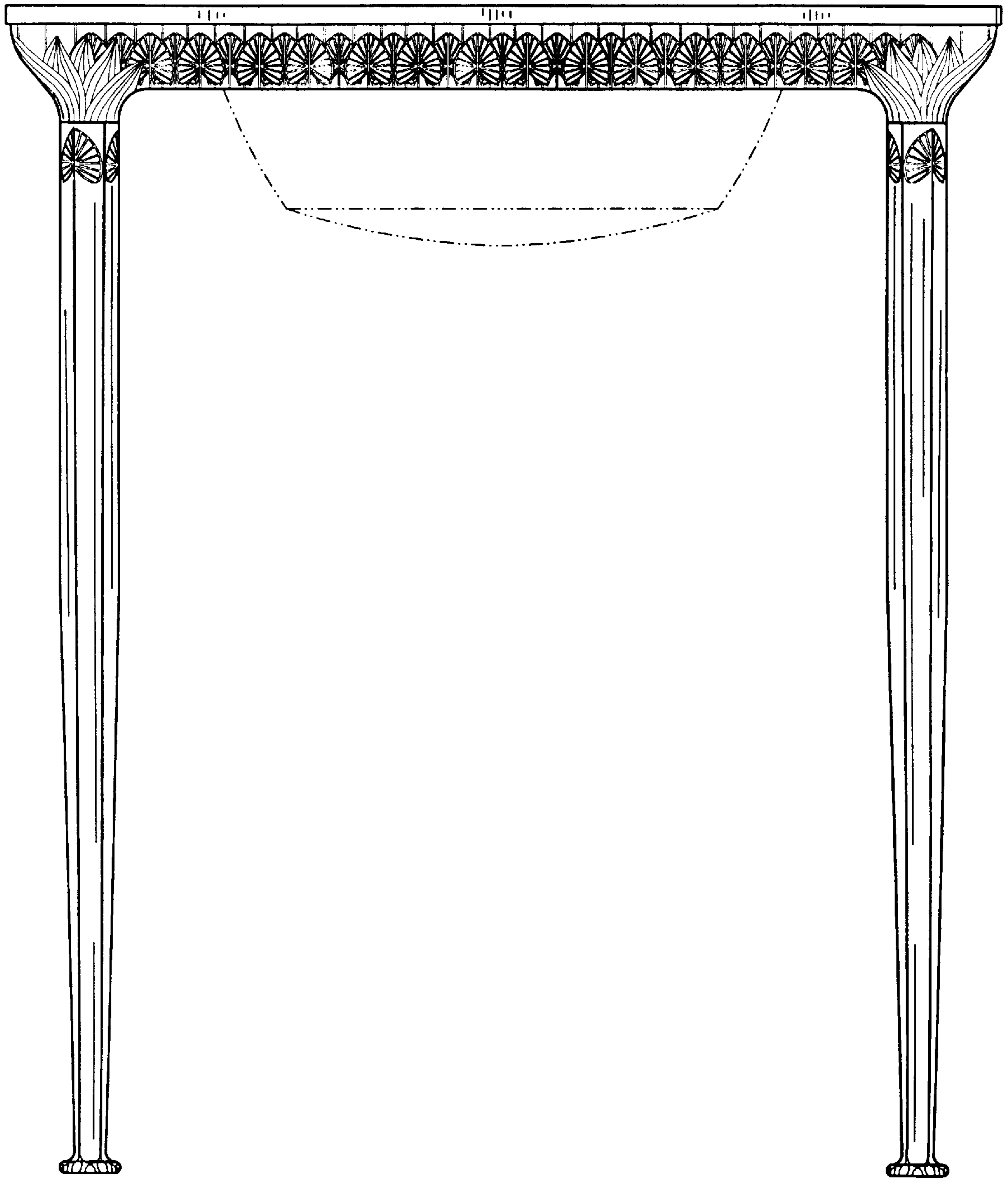


FIG. 3

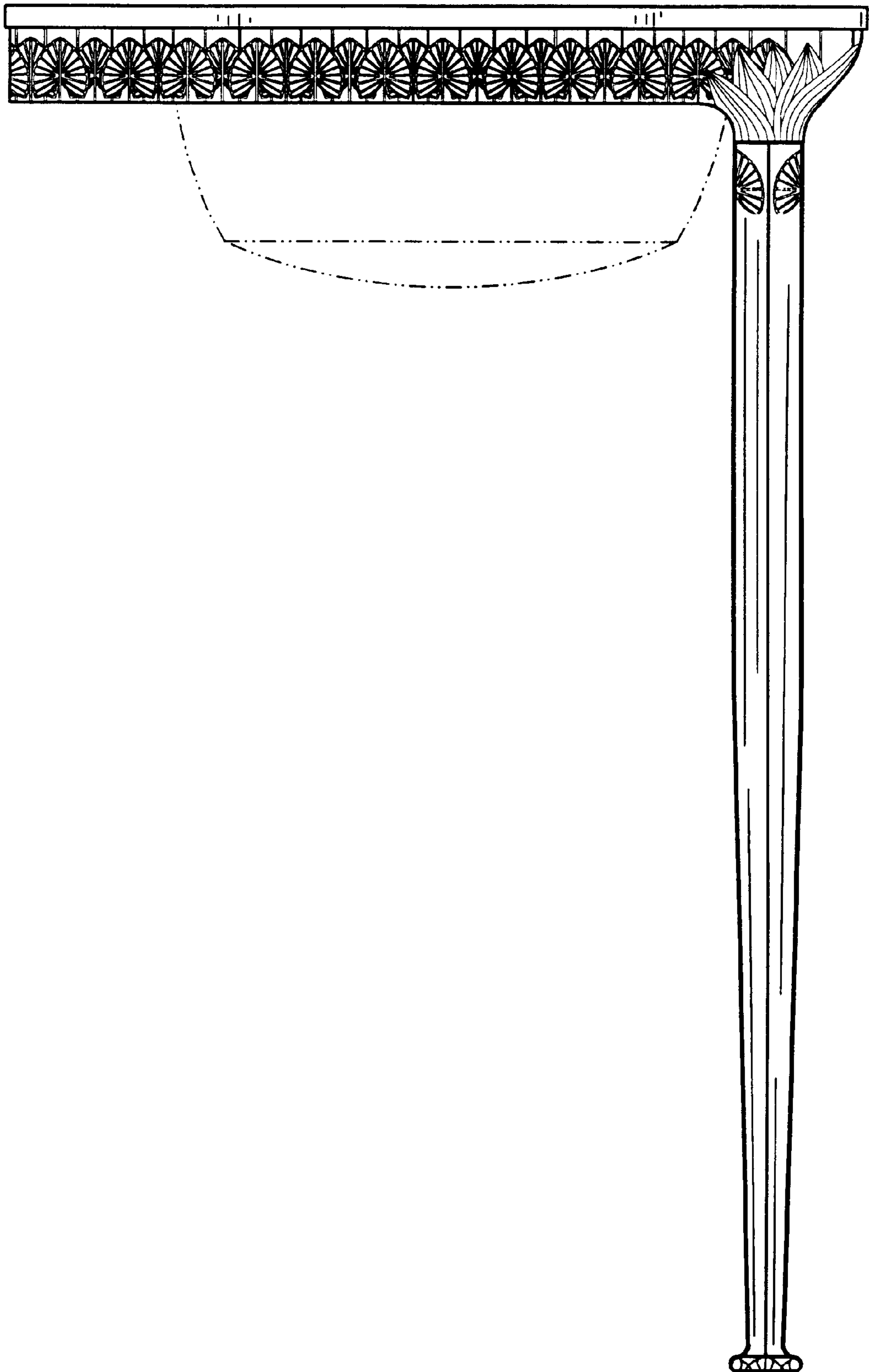


FIG. 4

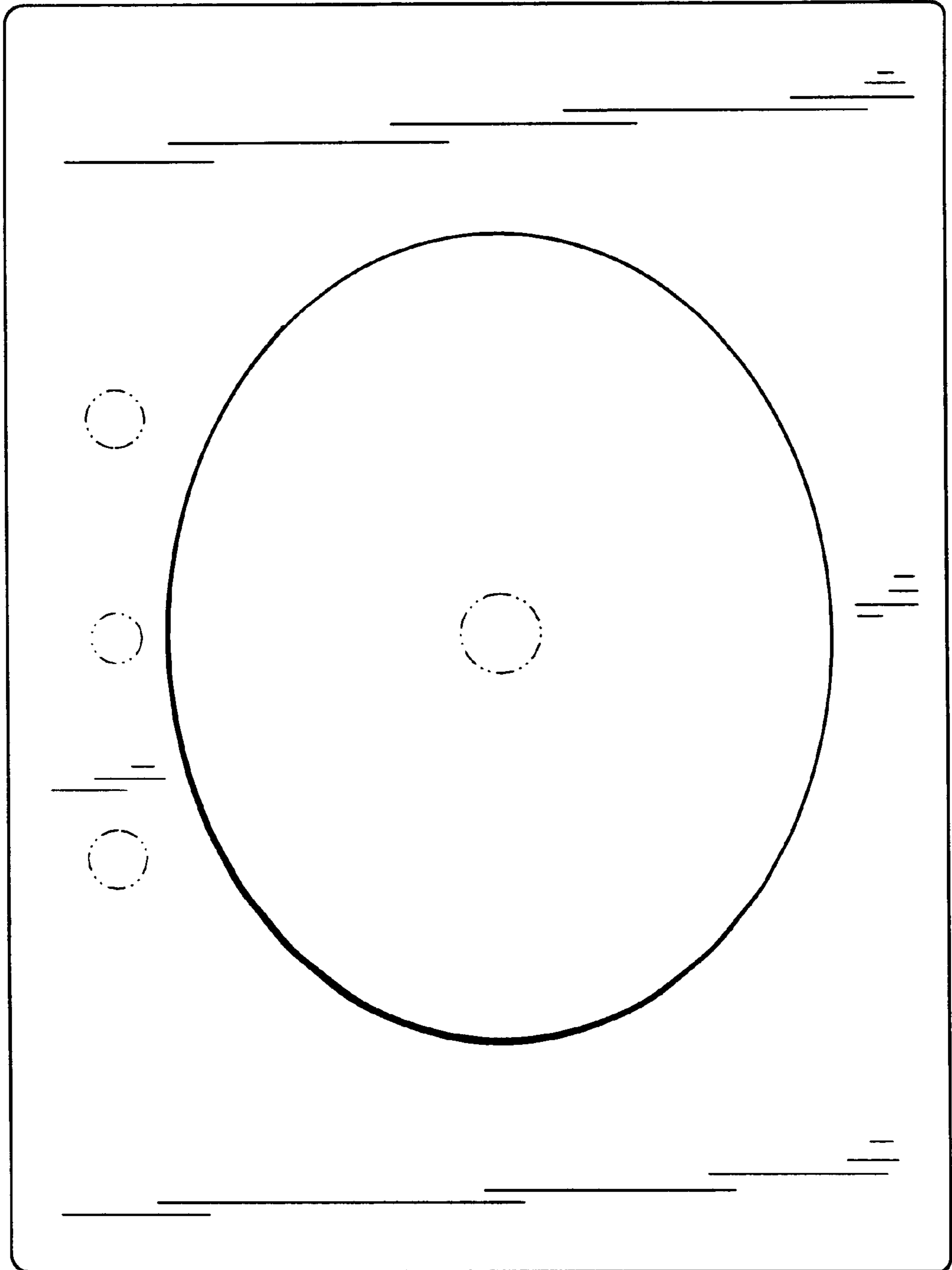


FIG. 5

