



US00D444865S

(12) **United States Design Patent**
Gottwald

(10) **Patent No.:** **US D444,865 S**

(45) **Date of Patent:** **** *Jul. 10, 2001**

(54) **SHOWER HOLDER**

(75) Inventor: **Adolf Gottwald**, Iserlohn (DE)

(73) Assignee: **Friedrich Grohe AG & Co. KG**,
Hemer (DE)

(*) Notice: This patent is subject to a terminal disclaimer.

(**) Term: **14 Years**

(21) Appl. No.: **29/128,559**

(22) Filed: **Aug. 25, 2000**

(30) **Foreign Application Priority Data**

Mar. 16, 2000 (DE) 400 02 688

(51) **LOC (7) Cl.** **23-02**

(52) **U.S. Cl.** **D23/304**

(58) **Field of Search** D23/213, 223,
D23/228, 275, 283, 303, 304; D8/354,
355; 4/567, 568, 570, 596, 601, 615, 695;
248/125.1

(56) **References Cited**

U.S. PATENT DOCUMENTS

D. 274,457 * 6/1984 Haug D23/213

D. 324,562 * 3/1992 Heitz D23/213
D. 403,754 * 1/1999 Gottwald D23/304
4,719,654 * 1/1988 Blessing 4/596 X
5,277,391 * 1/1994 Haug et al. 4/615 X
5,481,765 * 1/1996 Wang 4/615 X

* cited by examiner

Primary Examiner—Louis S. Zarfes
Assistant Examiner—Robert A. Delehanty
(74) *Attorney, Agent, or Firm*—Herbert Dubno

(57) **CLAIM**

The ornamental design for a shower holder, as shown and described.

DESCRIPTION

FIG. 1 is a bottom, right-side perspective view of a shower holder showing my new design;
FIG. 2 is a bottom view thereof;
FIG. 3 is a left side elevational view thereof, the right side elevational view being identical thereto;
FIG. 4 is a front elevational view thereof;
FIG. 5 is a top plan view thereof; and,
FIG. 6 is a rear view thereof.

1 Claim, 2 Drawing Sheets

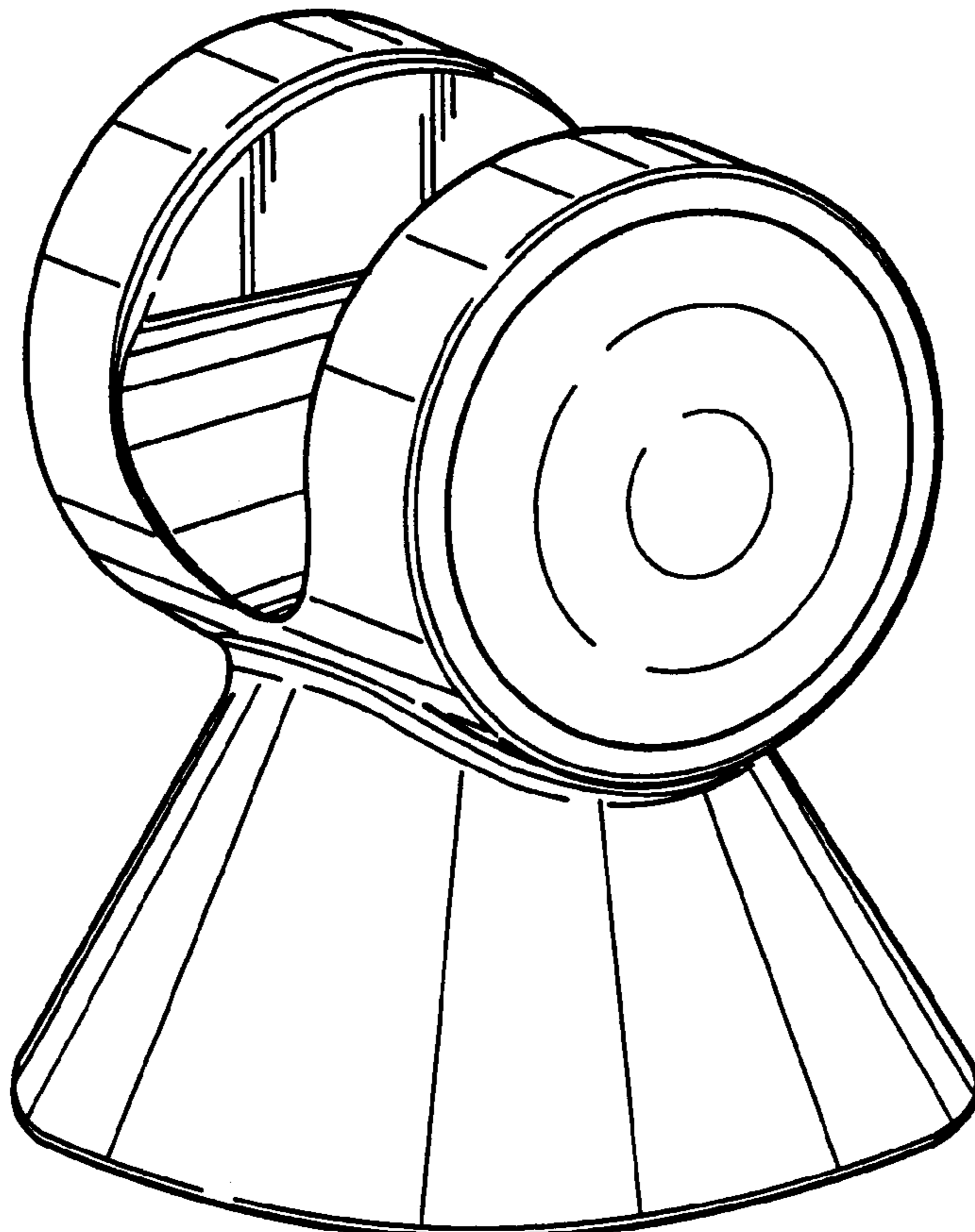


FIG. 1

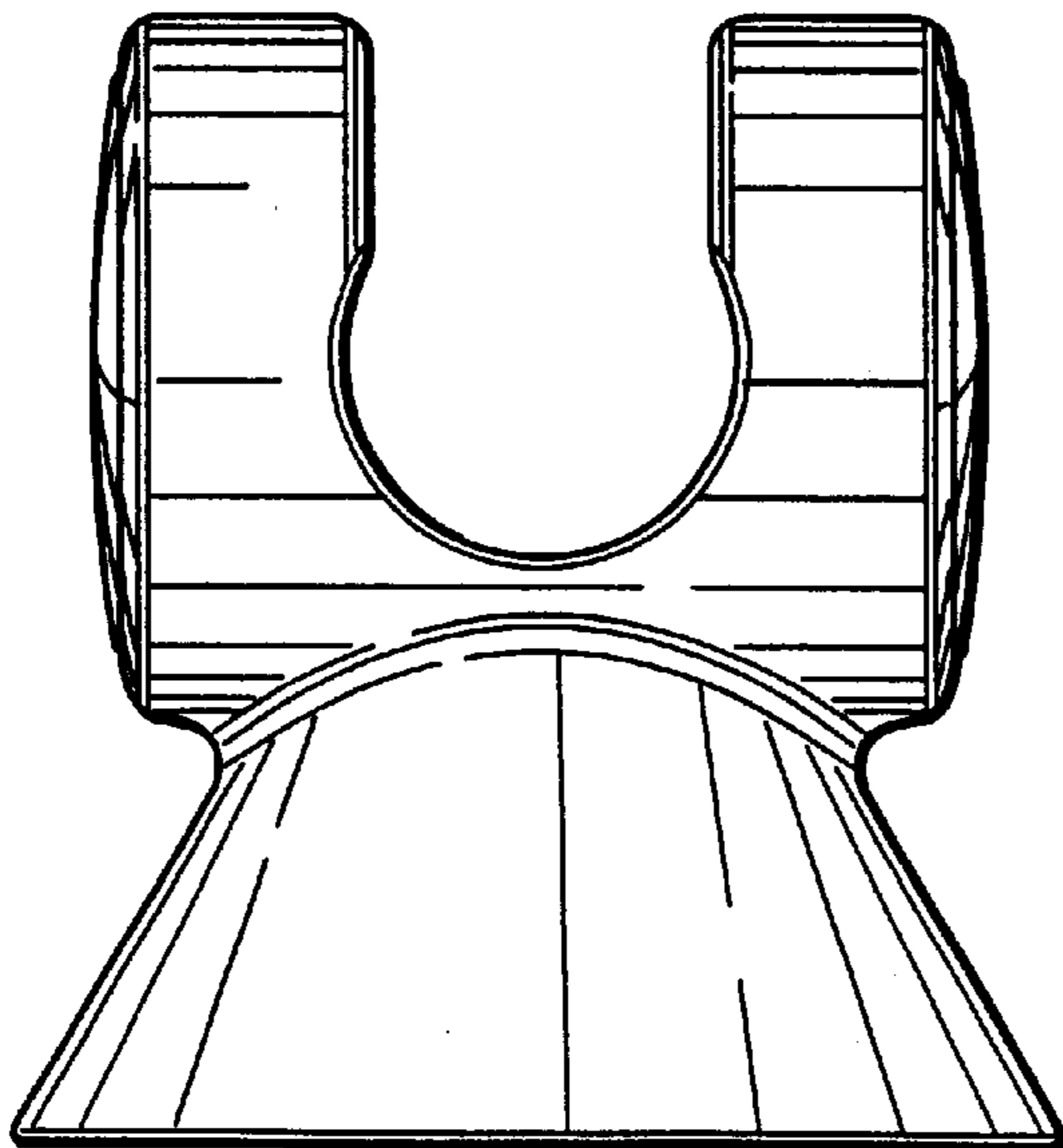
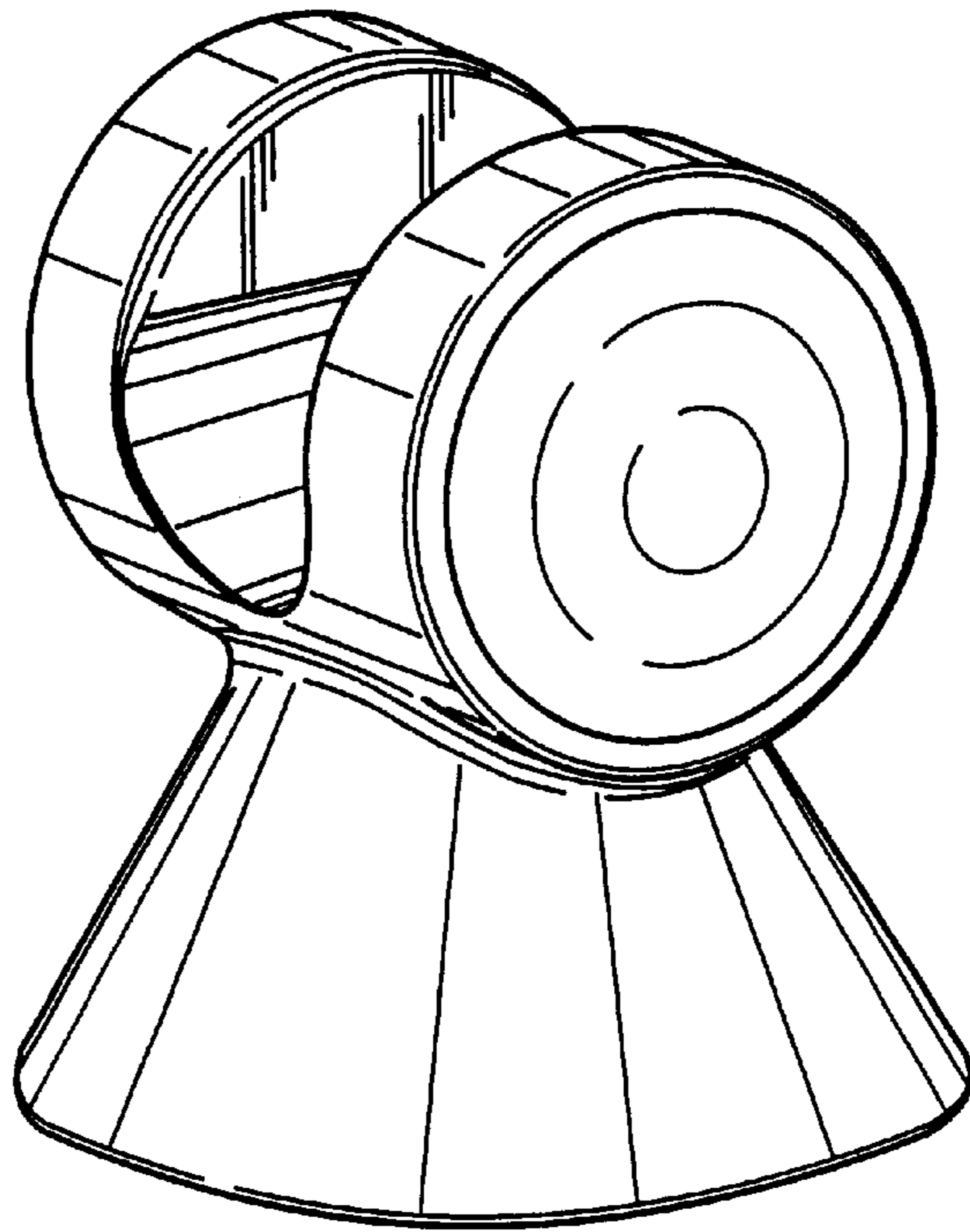


FIG. 2

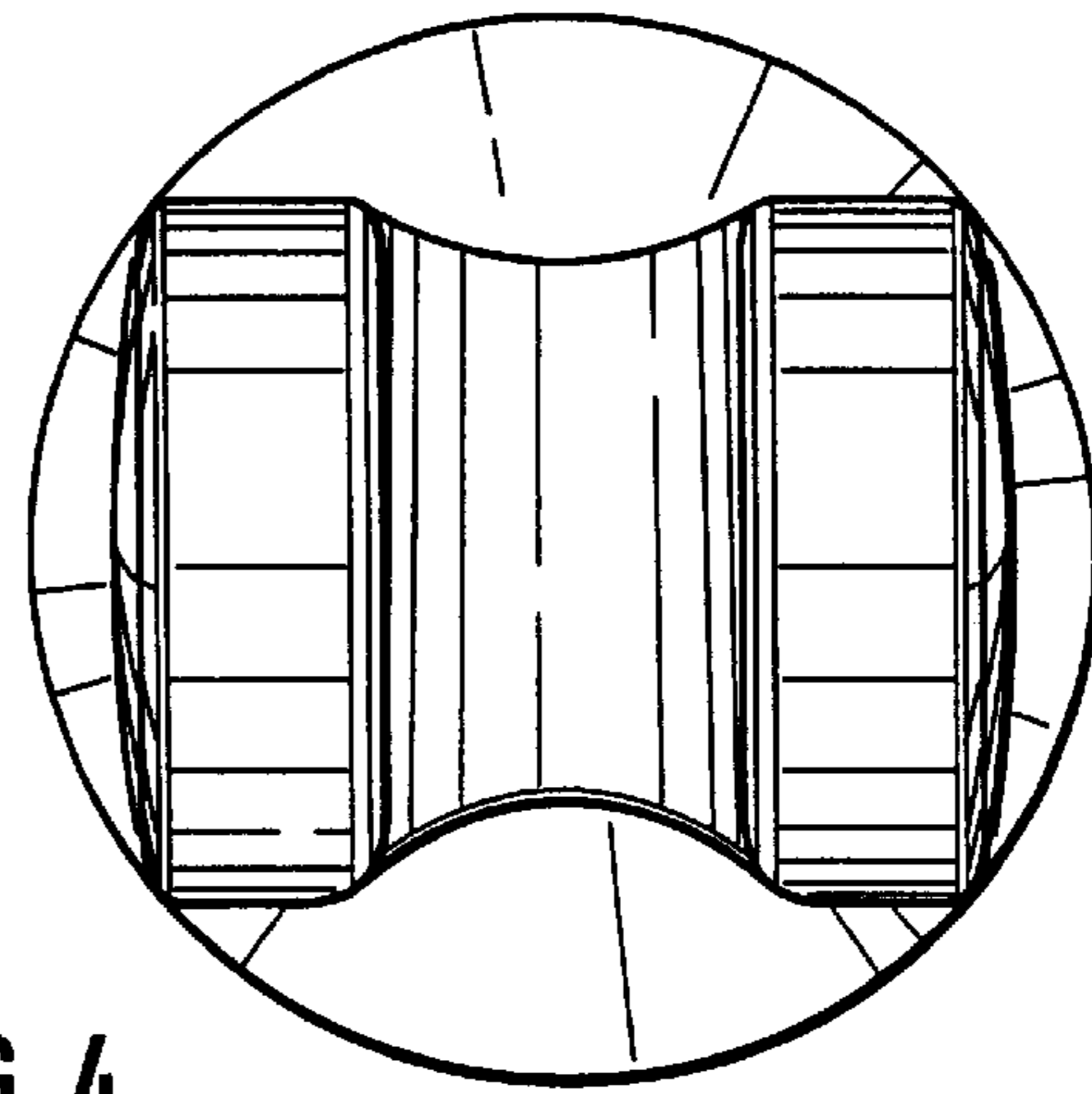


FIG. 4

FIG. 3

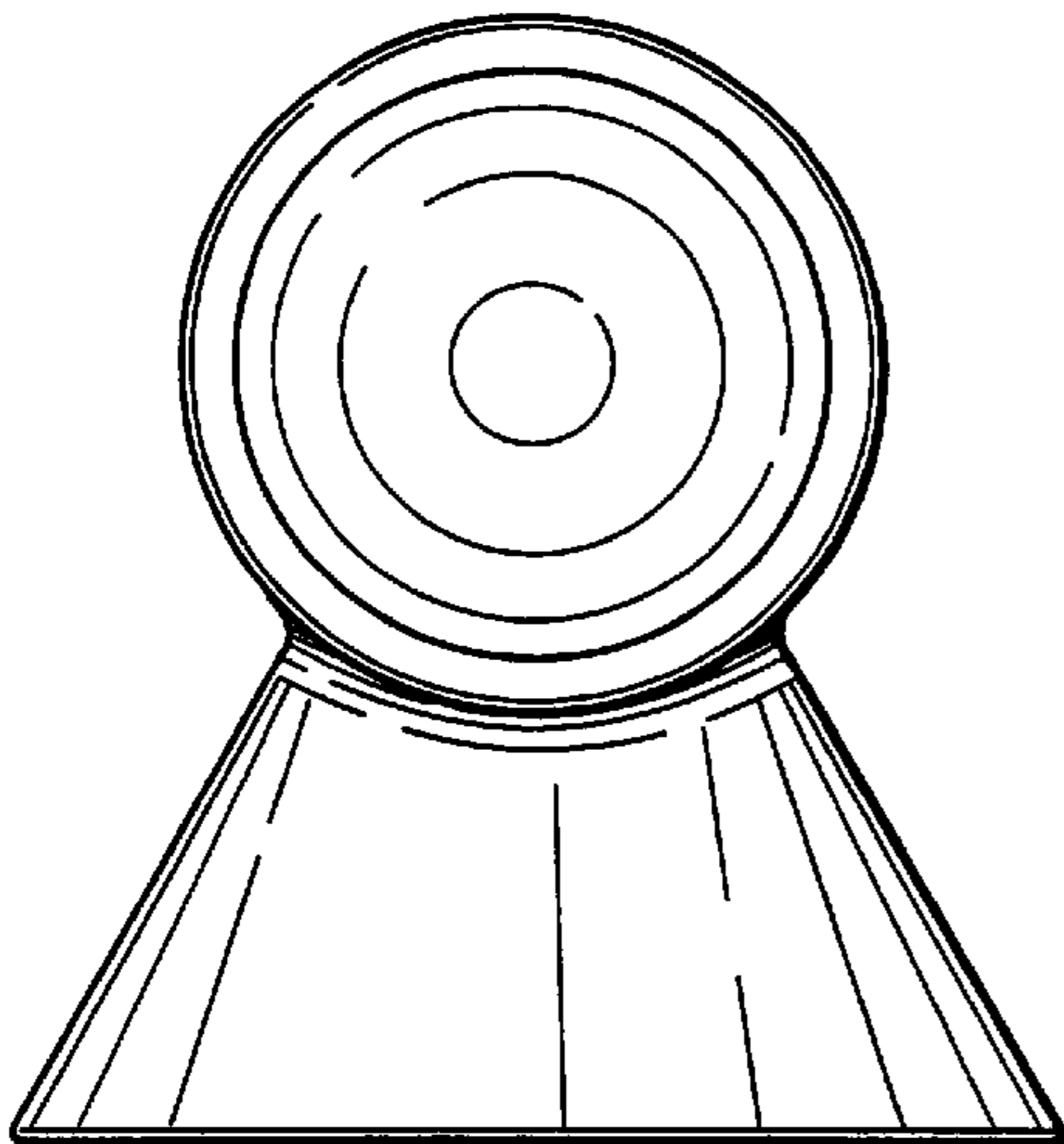


FIG. 5

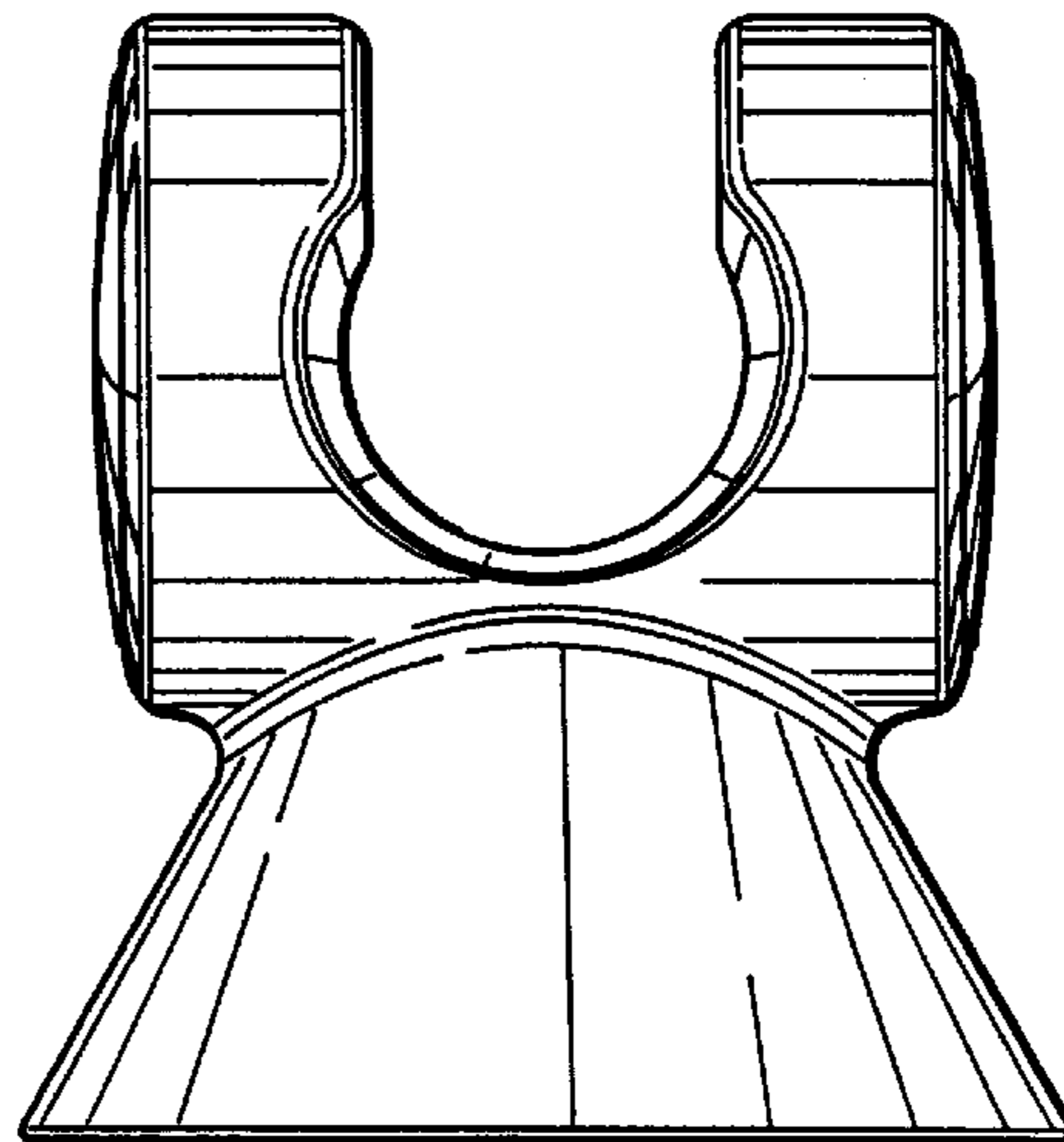


FIG. 6

