



US00D444864S

(12) **United States Design Patent**  
**McKeone**

(10) **Patent No.:** **US D444,864 S**

(45) **Date of Patent:** **\*\* Jul. 10, 2001**

(54) **WATER CLOSET**

D. 415,563 10/1999 McKeone ..... D23/301  
1,030,059 6/1912 Drugen et al. .... 4/353

(75) Inventor: **William C. McKeone**, Sheboygan, WI  
(US)

**OTHER PUBLICATIONS**

(73) Assignee: **Kohler Co.**, Kohler, WI (US)

1997 Kohler catalog ad, p. 15.9, showing "Memoirs" toilet.  
1997 Kohler catalog ad, p. 15.5, showing "Revival" toilets.  
1998 BC Sanitan catalog ad showing "Savoy" toilet.  
1997 Kohler catalog ad, p. 15.8, showing "Portrait" toilet.  
1999 Kallista catalog ad, p. 30, showing "Kalligraphos"  
toilet.

(\*\*) Term: **14 Years**

(21) Appl. No.: **29/132,781**

(22) Filed: **Nov. 15, 2000**

*Primary Examiner*—Louis S. Zarfaz  
*Assistant Examiner*—Robert A. Delehanty  
(74) *Attorney, Agent, or Firm*—Quarles & Brady LLP

**Related U.S. Application Data**

(62) Division of application No. 29/113,272, filed on Nov. 2,  
1999.

(57) **CLAIM**

(51) **LOC (7) Cl.** ..... **23-02**

The ornamental design for a water closet, as shown and  
described.

(52) **U.S. Cl.** ..... **D23/301**

(58) **Field of Search** ..... D23/273, 295–301,  
D23/303, 309–313; 4/253, 300, 321, 328–329,  
245.1, 245.6, 353, 419, 420, 443–444, 446,  
234, 236, 242.1, 901, 902, 246.1, 246.3,  
246.5, DIG. 8

**DESCRIPTION**

In a preferred embodiment, the nature of this product is as  
a plumbing fixture primarily useful for receiving solid and  
liquid waste from humans.

(56) **References Cited**

**U.S. PATENT DOCUMENTS**

- D. 47,611 7/1915 Podmore ..... D23/313 X
- D. 87,283 6/1932 Weaver ..... D23/313 X
- D. 323,381 1/1992 McKeone et al. .... D23/313
- D. 323,551 1/1992 Fait ..... D23/301
- D. 323,880 2/1992 McKeone et al. .... D23/295
- D. 353,450 12/1994 Anderson et al. .... D23/301
- D. 359,549 6/1995 Chen ..... D23/313
- D. 370,720 6/1996 Kaiser ..... D23/301
- D. 387,858 12/1997 McKeone ..... D23/301
- D. 390,930 2/1998 Slothower ..... D23/285

FIG. 1 is a left, top, front perspective view of a water closet  
embodying my new design;

FIG. 2 is a top plan view thereof;

FIG. 3 is a left side elevational view thereof, the right side  
elevational view being a mirror image of the left side shown;

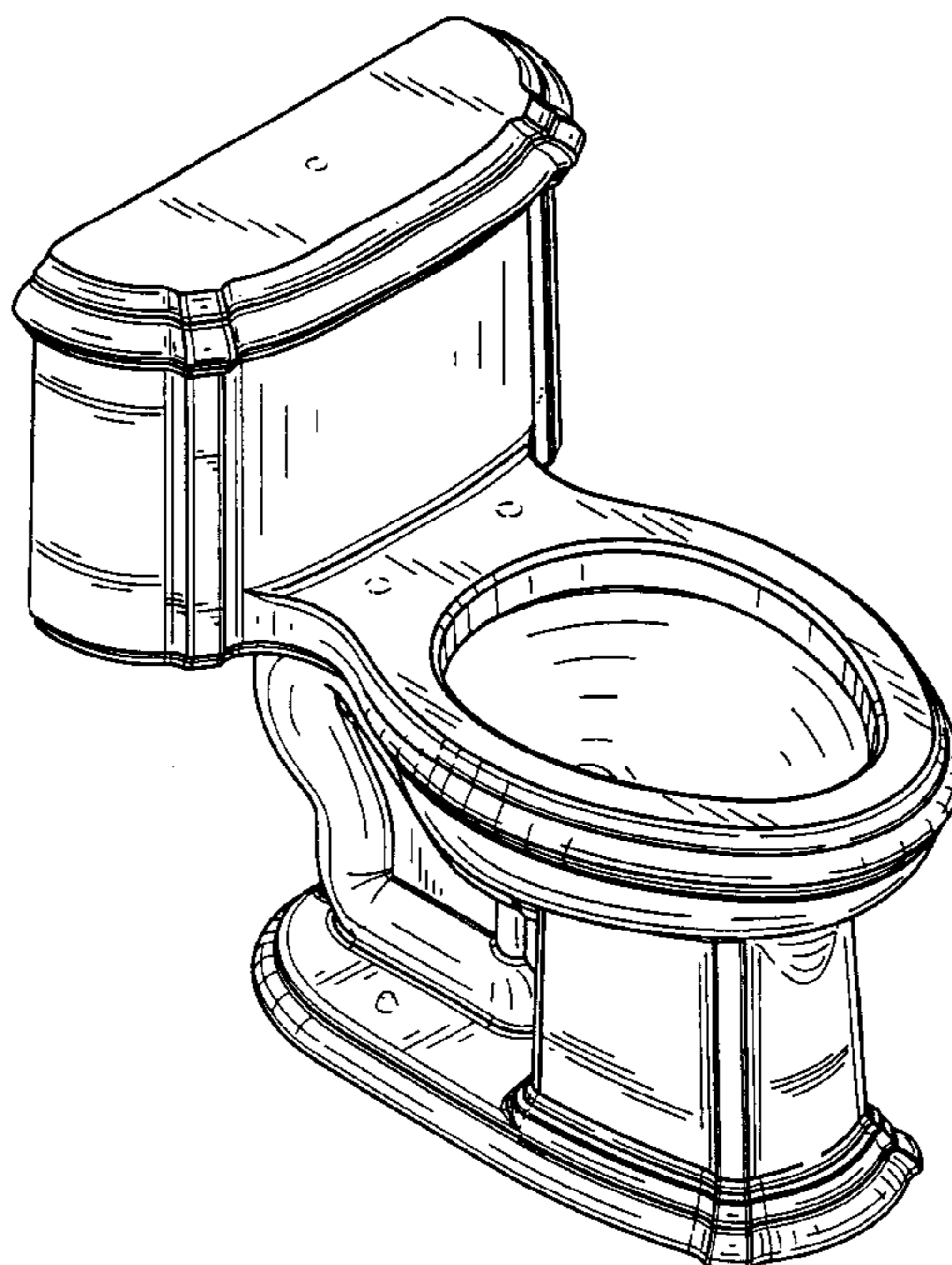
FIG. 4 is a front elevational view thereof;

FIG. 5 is a rear elevational view thereof; and,

FIG. 6 is a bottom plan view thereof.

The broken line representations of holes in FIGS. 1, 2, and  
6, of a cap in FIGS. 1, 3, and 5, and of mounting structure  
in FIG. 6, are for the purpose of illustration only, and form  
no part of the claimed design.

**1 Claim, 3 Drawing Sheets**



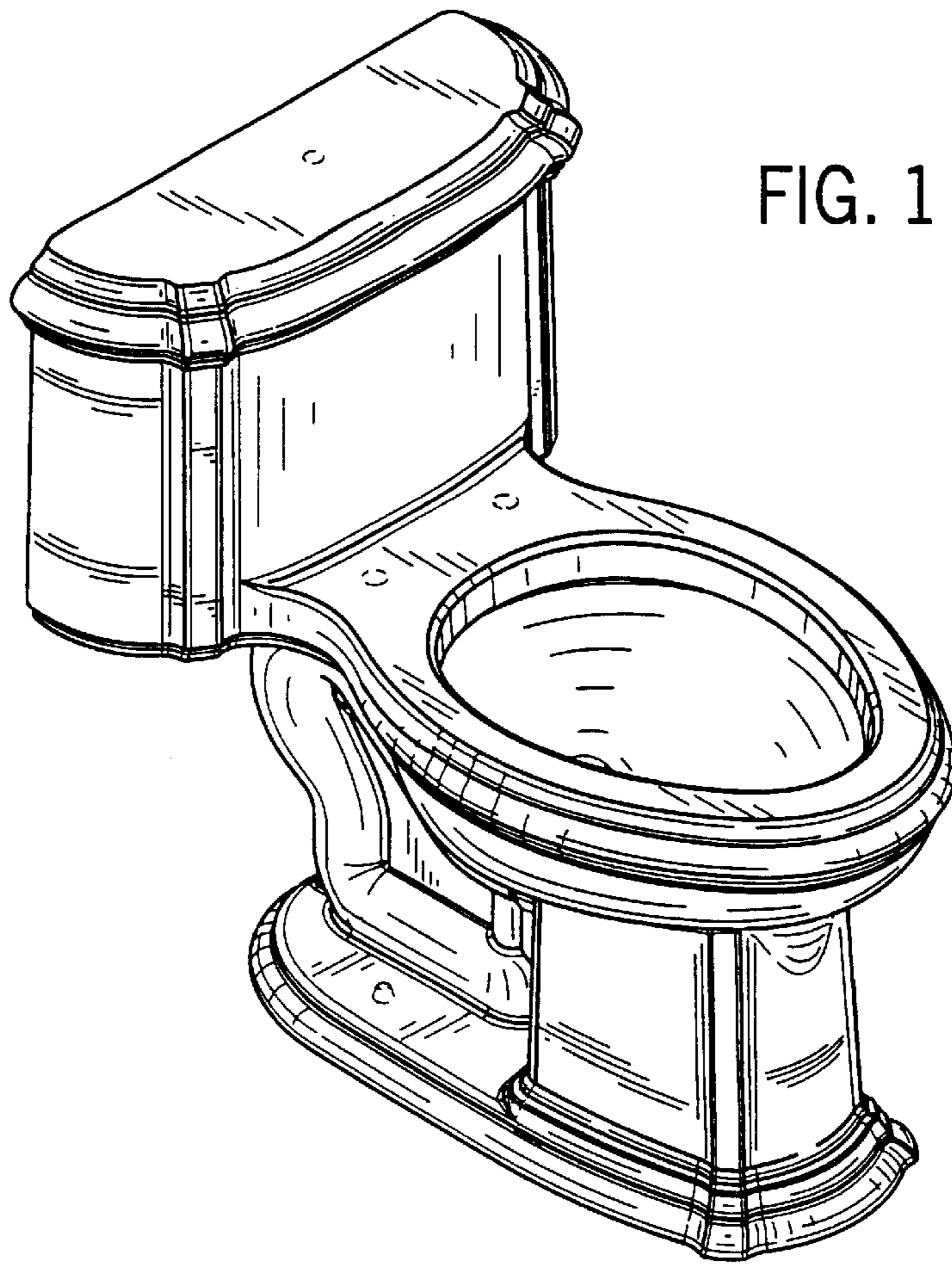
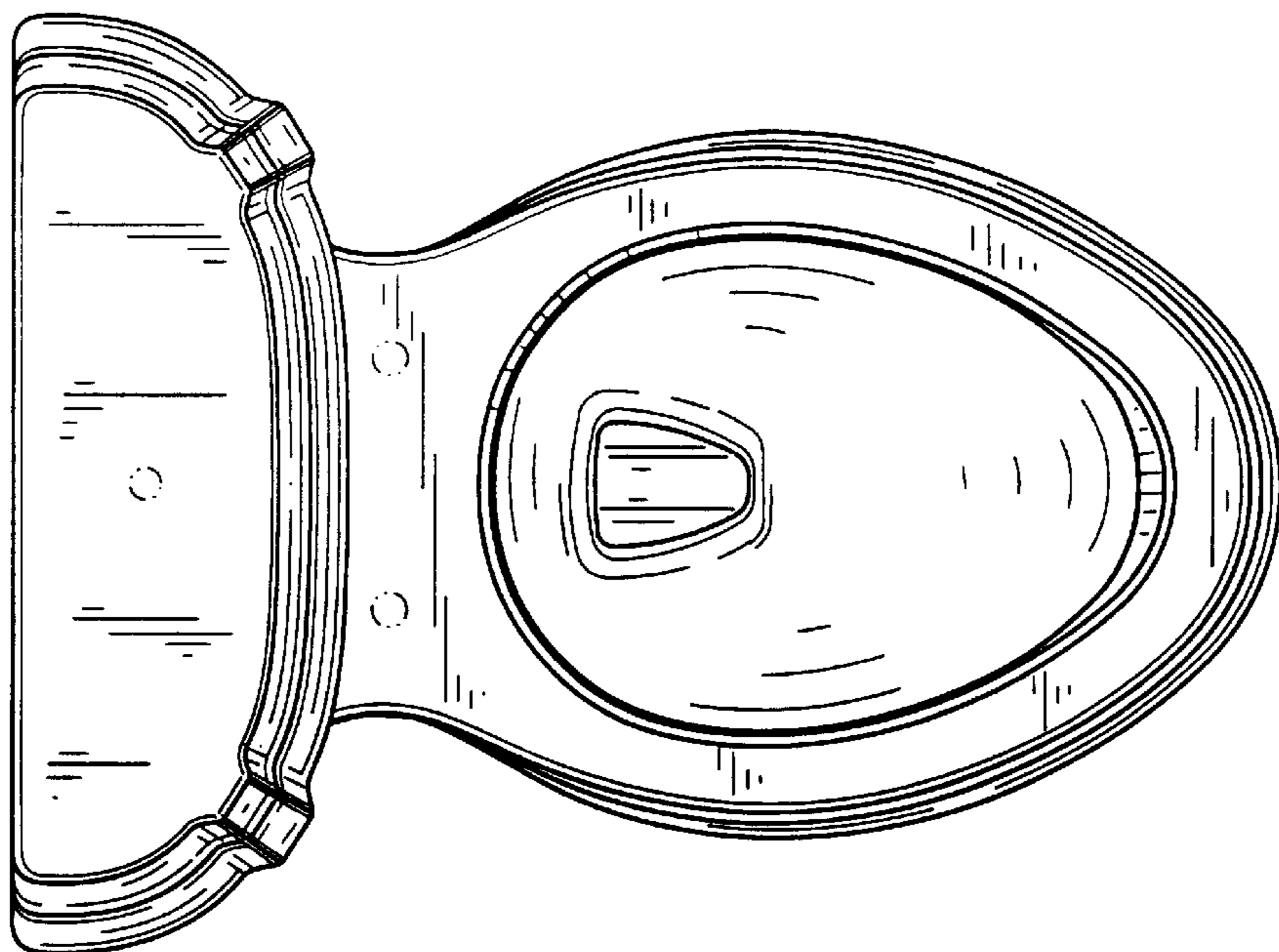


FIG. 2



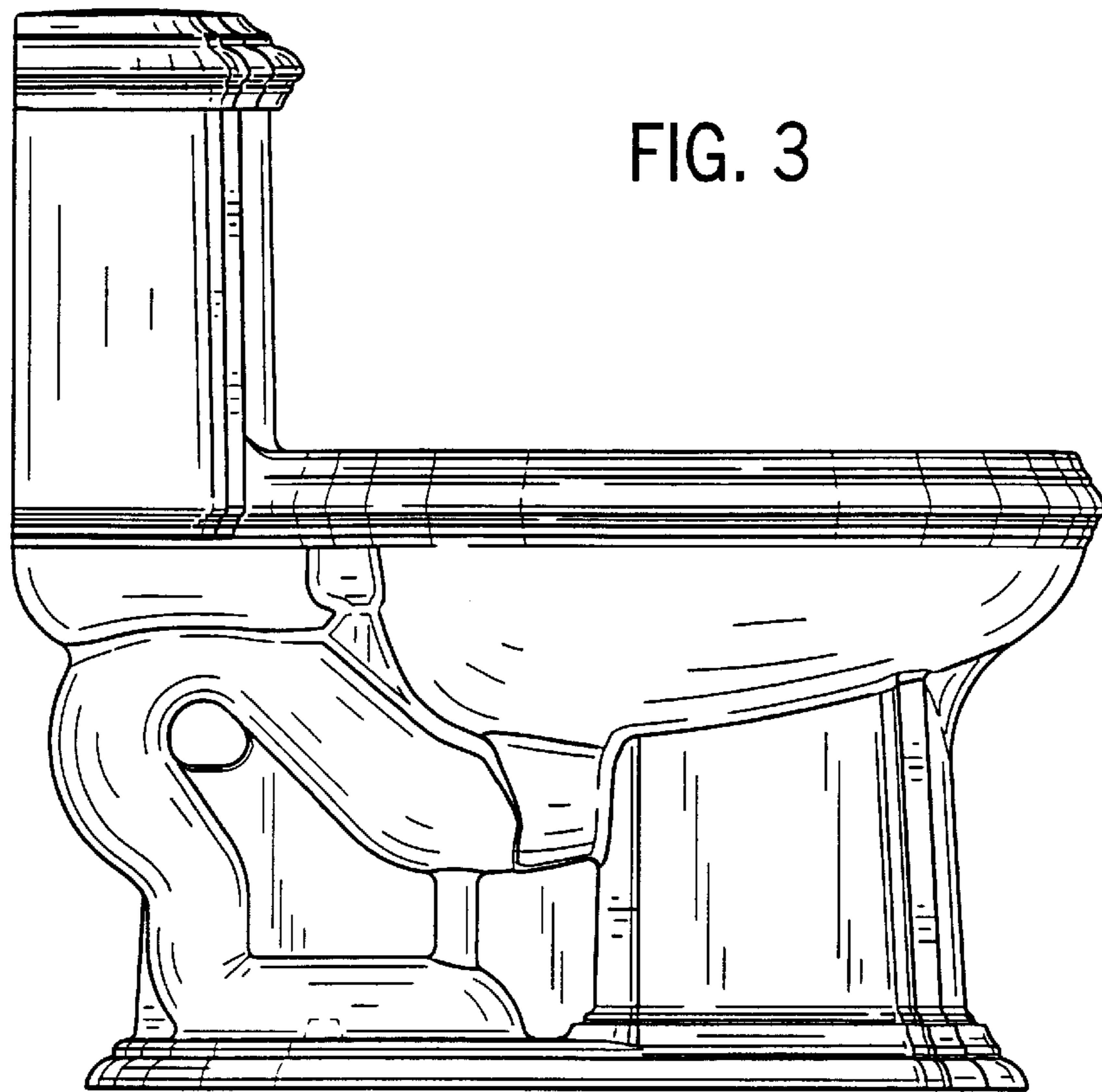


FIG. 3

FIG. 4

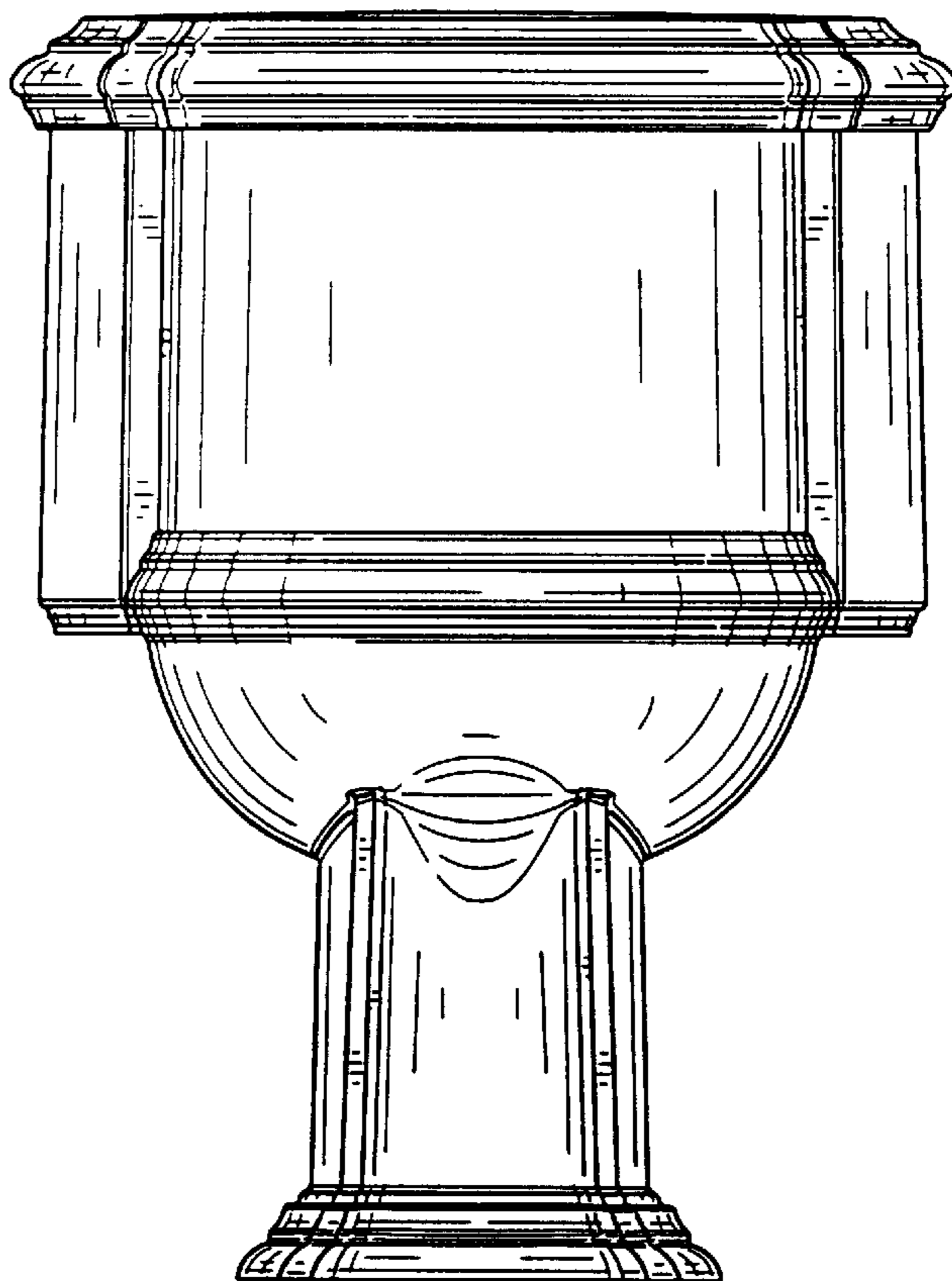


FIG. 5

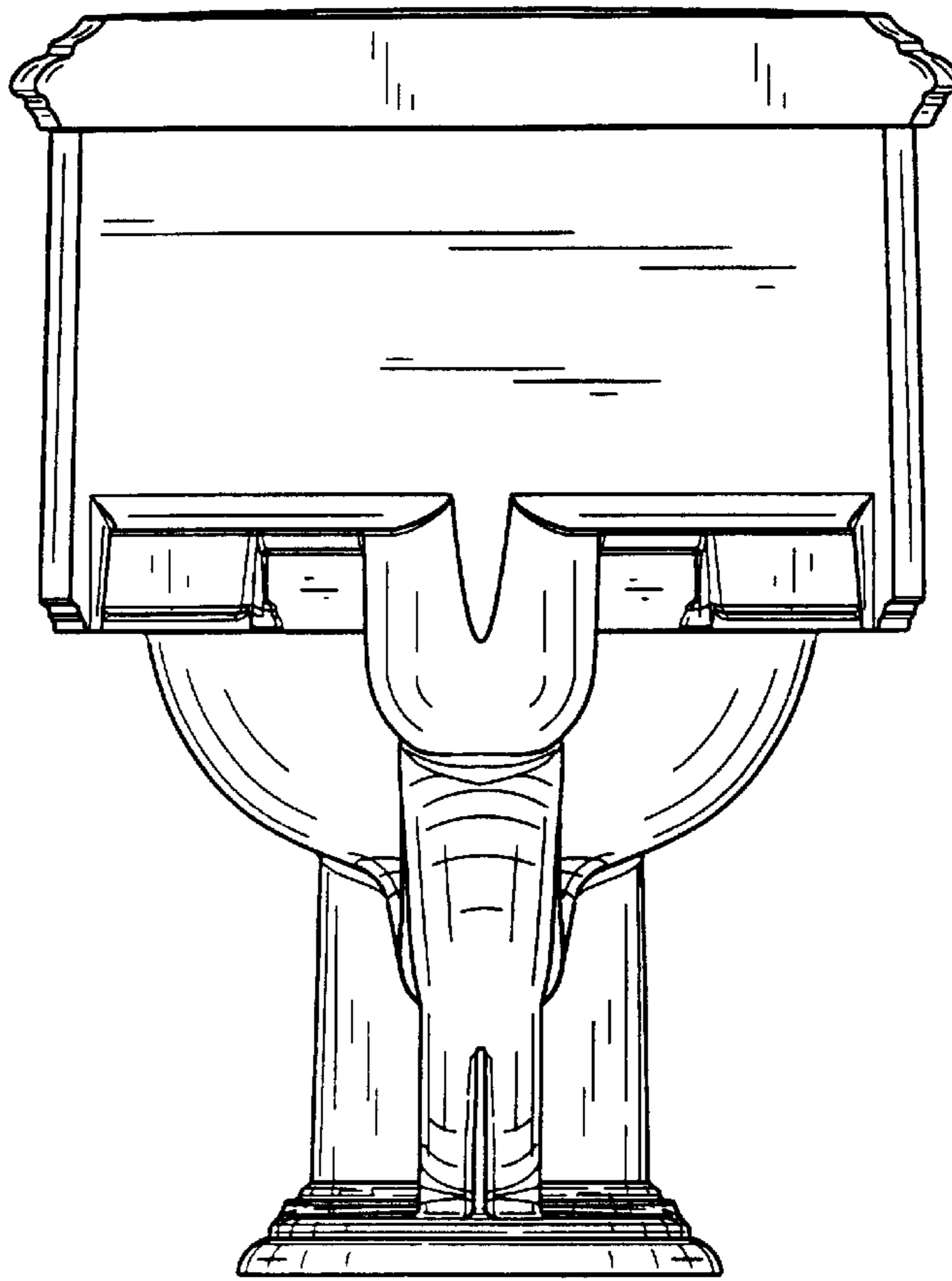


FIG. 6

