



US00D444863S

(12) **United States Design Patent**  
**Slothower**

(10) **Patent No.:** **US D444,863 S**

(45) **Date of Patent:** **\*\* Jul. 10, 2001**

(54) **BASE FOR BATHING AREA**

(75) Inventor: **Anna-Pia K. Slothower**, Sheboygan,  
WI (US)

(73) Assignee: **Kohler Co.**, Kohler, WI (US)

(\*\*) Term: **14 Years**

(21) Appl. No.: **29/121,416**

(22) Filed: **Apr. 6, 2000**

(51) **LOC (7) Cl.** ..... **23-02**

(52) **U.S. Cl.** ..... **D23/283**

(58) **Field of Search** ..... D23/283, 277,  
D23/303, 304, 305, 306, 307; 4/546, 556,  
557, 584, 596, 599, 600, 612, 613, 614

(56) **References Cited**

**U.S. PATENT DOCUMENTS**

- D. 337,375 \* 7/1993 Bengtson et al. .... D23/283
- D. 363,342 \* 10/1995 Dannenberg et al. .... D23/283
- D. 400,654 \* 11/1998 Jacuzzi ..... D23/277
- D. 405,874 \* 2/1999 Jahnke et al. .... D23/283

**OTHER PUBLICATIONS**

Undated Kohler catalog ad, p. 11.17, showing "Memoirs" receptors.

Undated Stelrad catalog ad showing "Vista" corner bath.

1997 Kohler catalog ad, p. 11.14, showing "Whitecap" receptor.

\* cited by examiner

*Primary Examiner*—Louis S. Zarfes

*Assistant Examiner*—Robert A. Delehanty

(74) *Attorney, Agent, or Firm*—Quarles & Brady LLP

(57) **CLAIM**

The ornamental design for a base for bathing area, as shown and described.

**DESCRIPTION**

In a preferred embodiment, the nature of this product is as a plumbing fixture primarily useful for bathing the body of humans.

FIG. 1 is a left, top, front perspective view of a base for bathing area embodying my new design;

FIG. 2 is a top plan view thereof;

FIG. 3 is a front elevational view thereof; and,

FIG. 4 is a left side elevational view thereof, the right side elevational view being a mirror image of the left side shown.

The broken line representations of holes in FIGS. 1 and 2 are for the purpose of illustration only, and form no part of the claimed design.

**1 Claim, 2 Drawing Sheets**

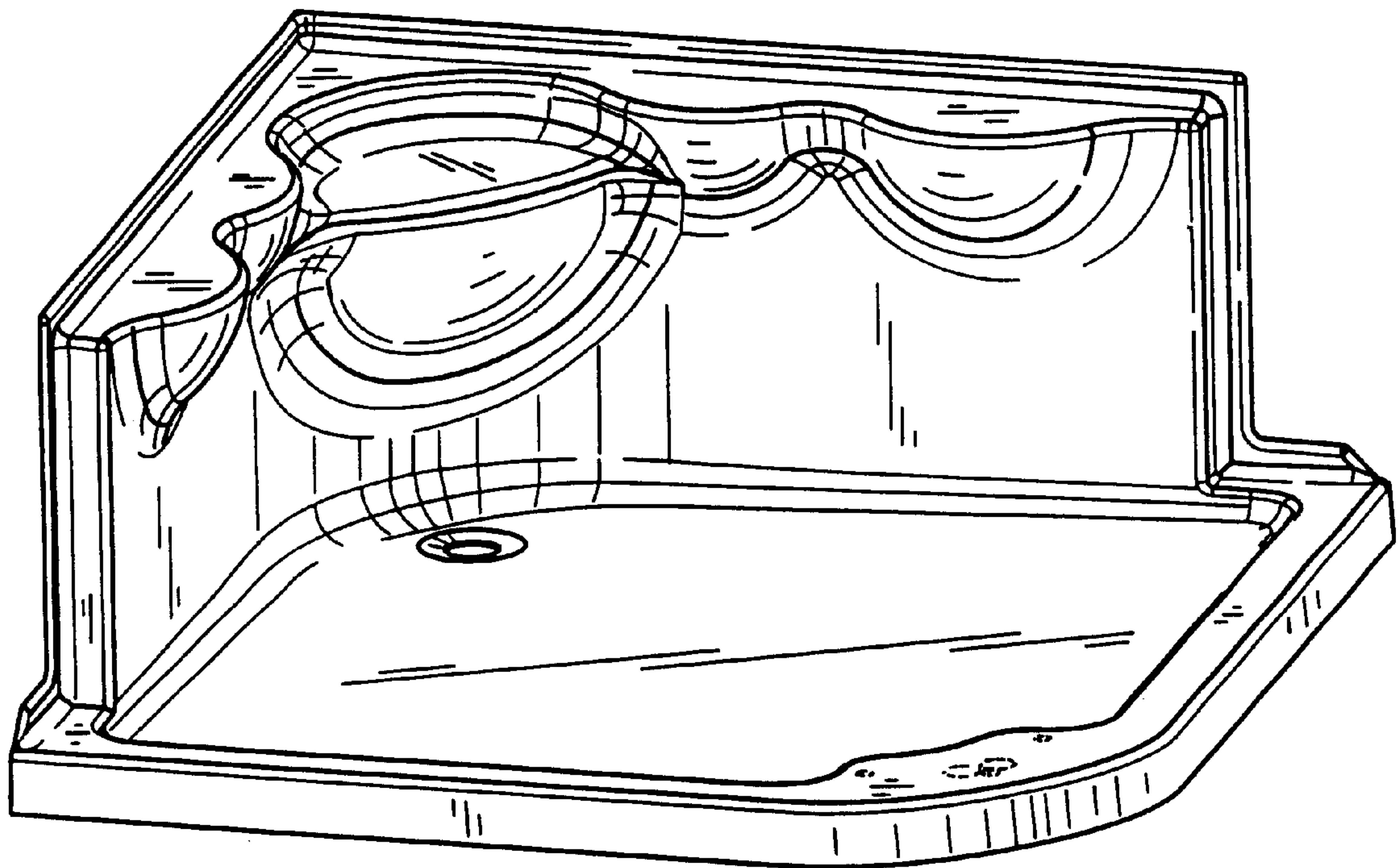


FIG. 1

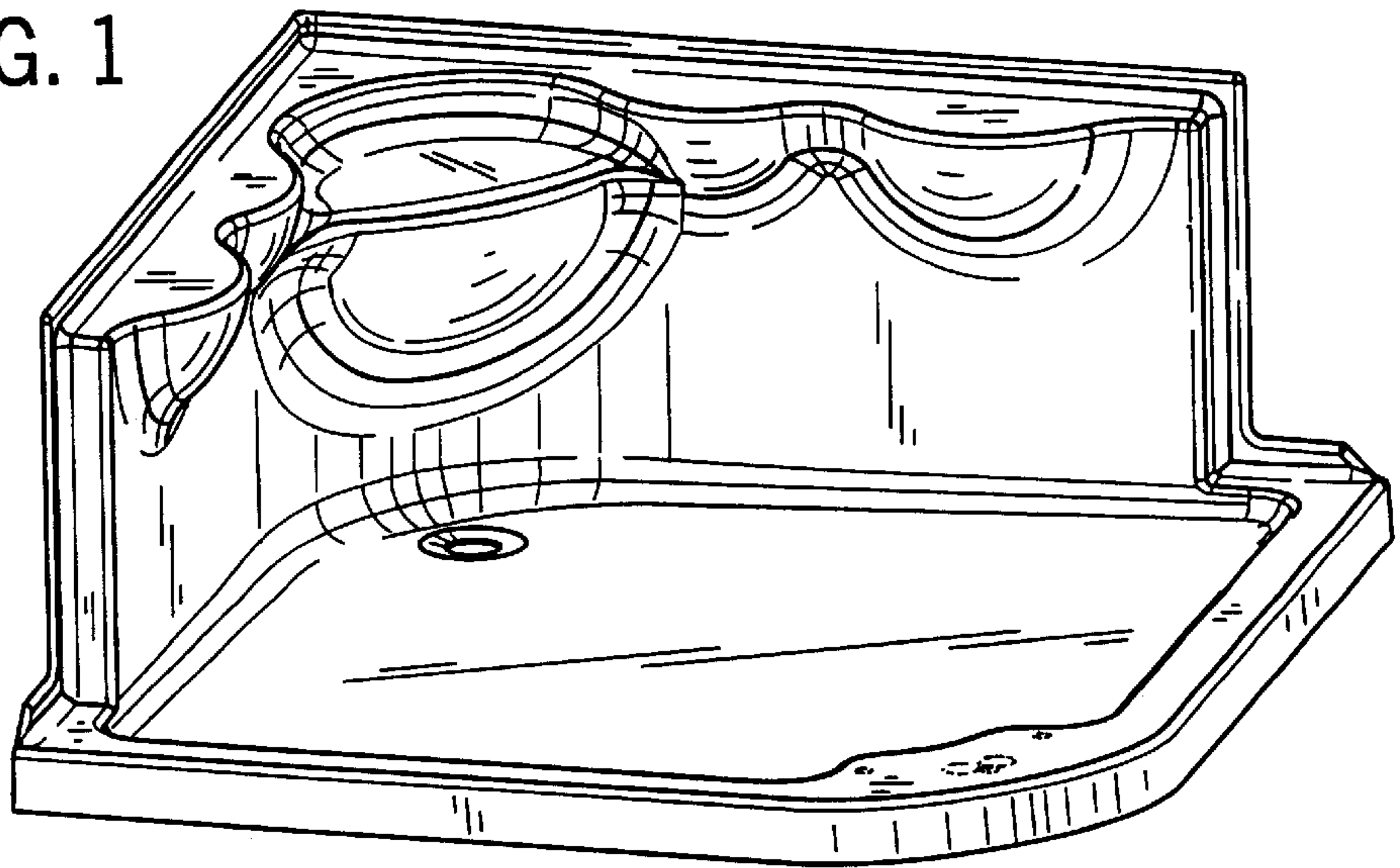


FIG. 2

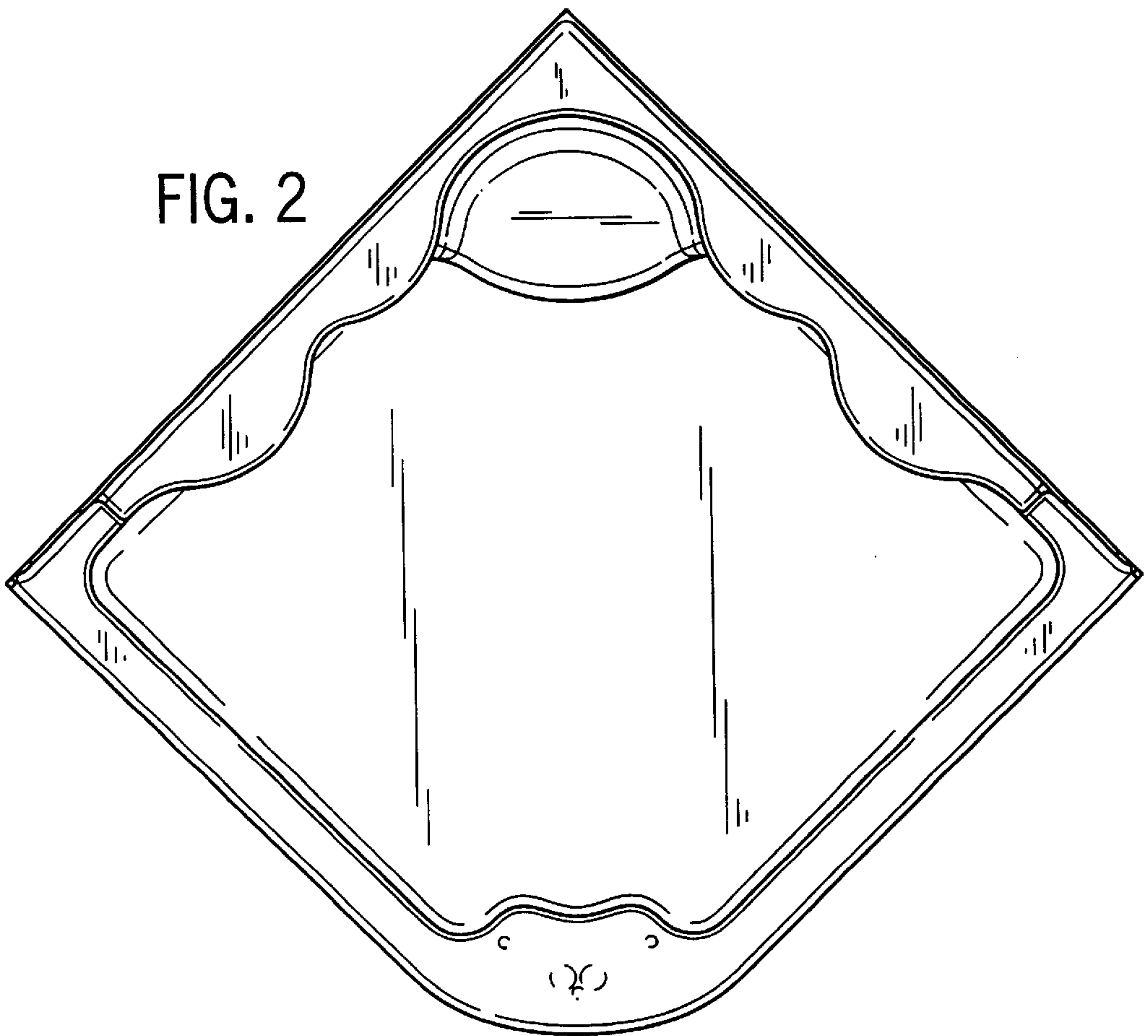


FIG. 3

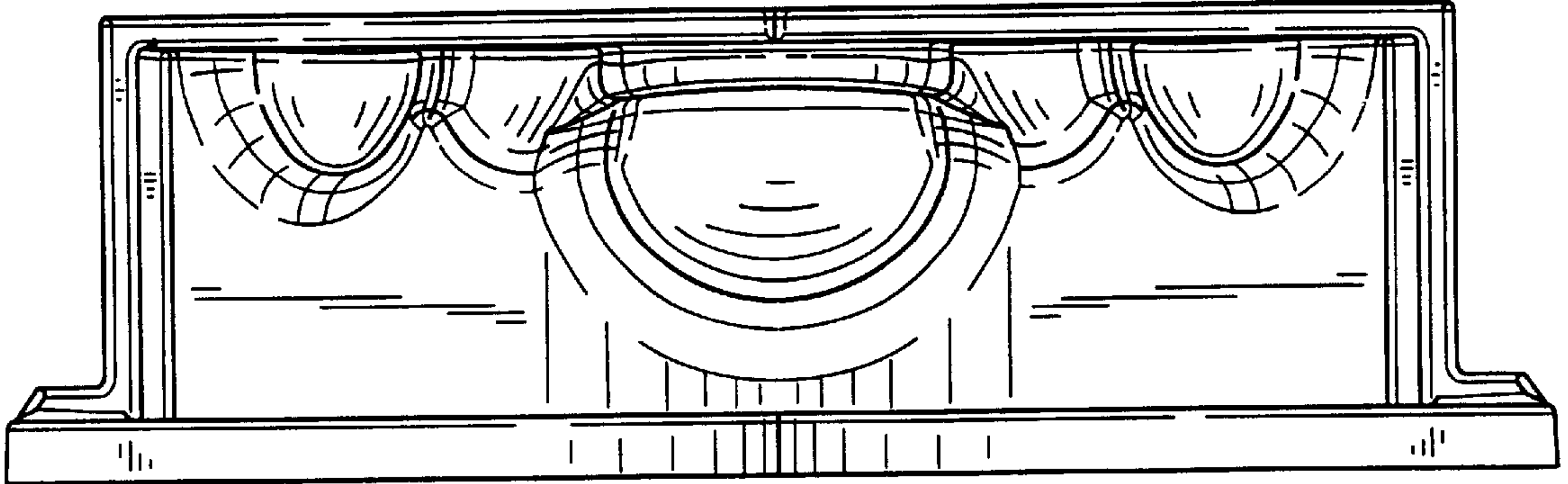


FIG. 4

