



US00D444862S

(12) **United States Design Patent**
Slothower

(10) **Patent No.:** **US D444,862 S**

(45) **Date of Patent:** **** Jul. 10, 2001**

(54) **BASE FOR BATHING AREA**

(75) **Inventor:** **Anna-Pia K. Slothower**, Sheboygan, WI (US)

(73) **Assignee:** **Kohler Co.**, Kohler, WI (US)

(**) **Term:** **14 Years**

(21) **Appl. No.:** **29/121,404**

(22) **Filed:** **Apr. 6, 2000**

(51) **LOC (7) Cl.** **23-02**

(52) **U.S. Cl.** **D23/283**

(58) **Field of Search** D23/283, 303, D23/304, 305, 306, 307; 4/546, 556, 557, 584, 596, 599, 600, 612, 613, 614

(56) **References Cited**

U.S. PATENT DOCUMENTS

D. 250,716	*	1/1979	Smith	D23/283
D. 349,945	*	8/1994	Cummings	D23/283
D. 349,951	*	8/1994	Cummings	D23/283
D. 378,696	*	4/1997	Bonnell et al.	D23/283
D. 414,850	*	10/1999	McKeone	D23/283

OTHER PUBLICATIONS

Undated Kohler catalog ad, p. 11.18, showing "Profile" receptors.

Undated Hytec catalog ad showing shower enclosure.

* cited by examiner

Primary Examiner—Louis S. Zarfes

Assistant Examiner—Robert A Delehanty

(74) *Attorney, Agent, or Firm*—Quarles & Brady LLP

(57) **CLAIM**

The ornamental design for a base for bathing area, as shown and described.

DESCRIPTION

In a preferred embodiment, the nature of this product is as a plumbing fixture primarily useful for bathing the body of humans.

FIG. 1 is a left, top, front perspective view of a base for bathing area embodying my new design;

FIG. 2 is a top plan view thereof;

FIG. 3 is a front elevational view thereof;

FIG. 4 is a left side elevational view thereof, the right side elevational view being a mirror image of the left side shown;

FIG. 5 is a left, top, front perspective view of a second embodiment;

FIG. 6 is a top plan view thereof;

FIG. 7 is a front elevational view thereof; and,

FIG. 8 is a left elevational view thereof, the right side elevational view being a mirror image of the left side shown.

The broken line representations of holes in FIGS. 1, 2, 5, and 6 and for the purpose of illustration only, and form no part of the claimed design.

1 Claim, 4 Drawing Sheets

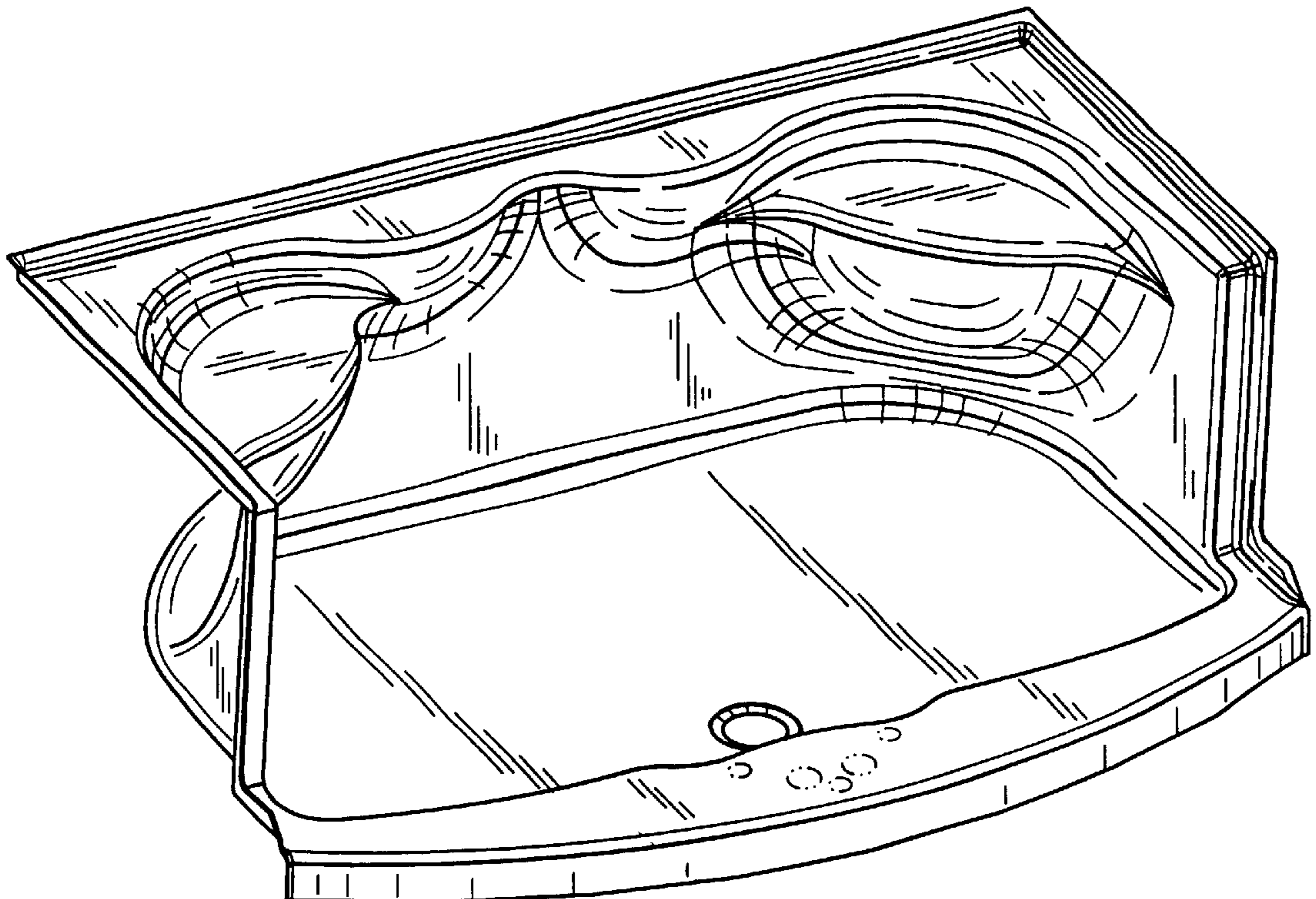


FIG. 1

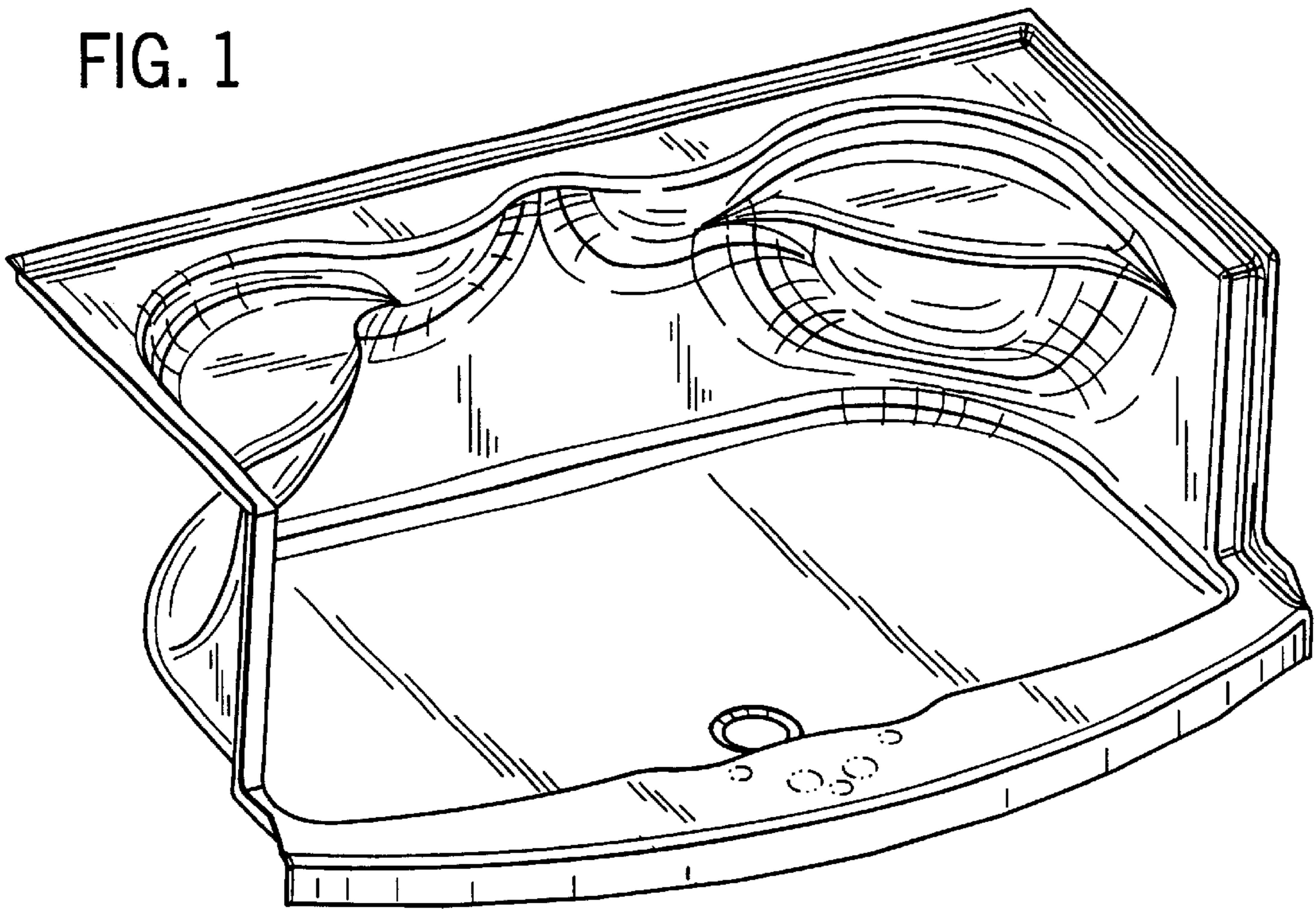


FIG. 2

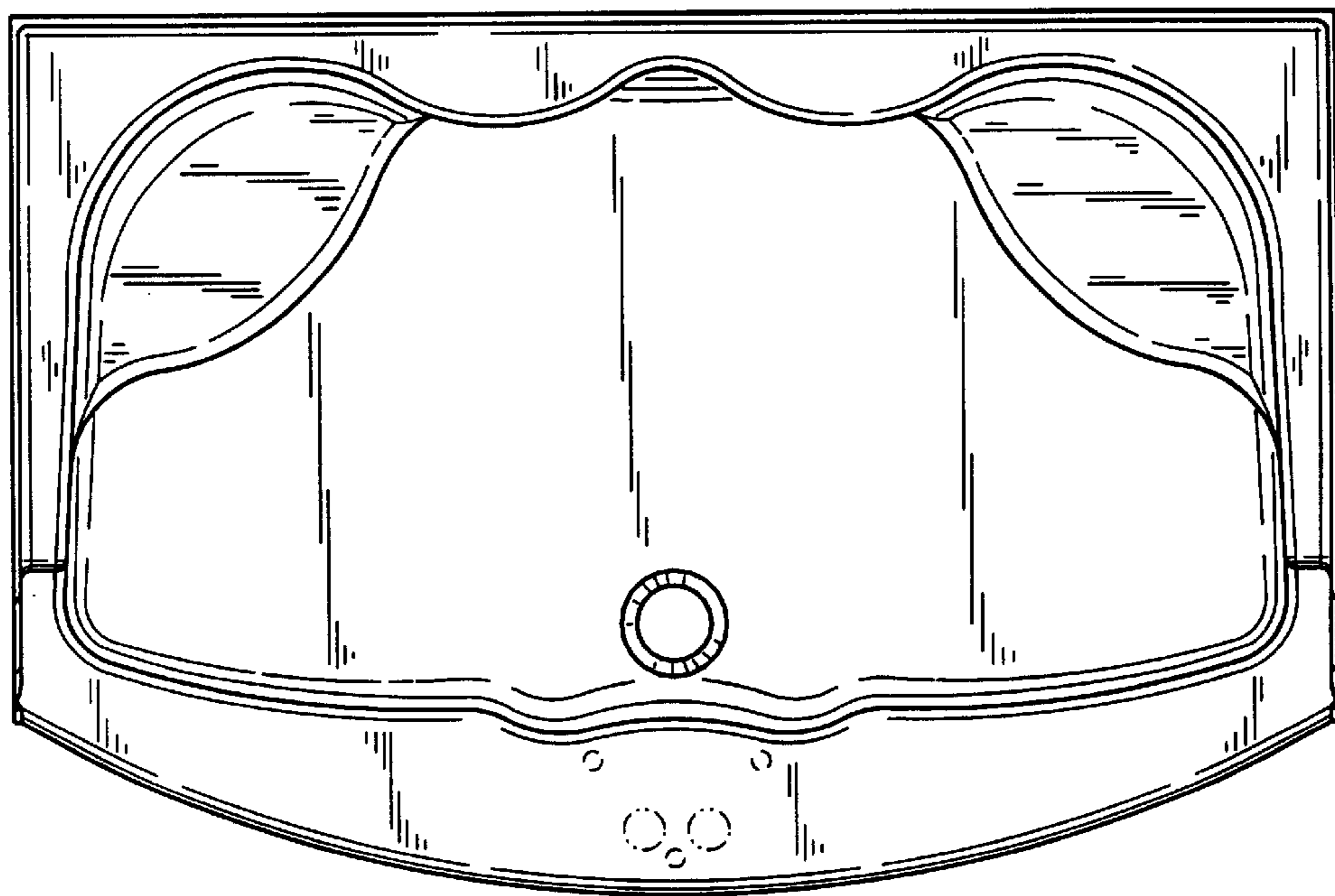


FIG. 3

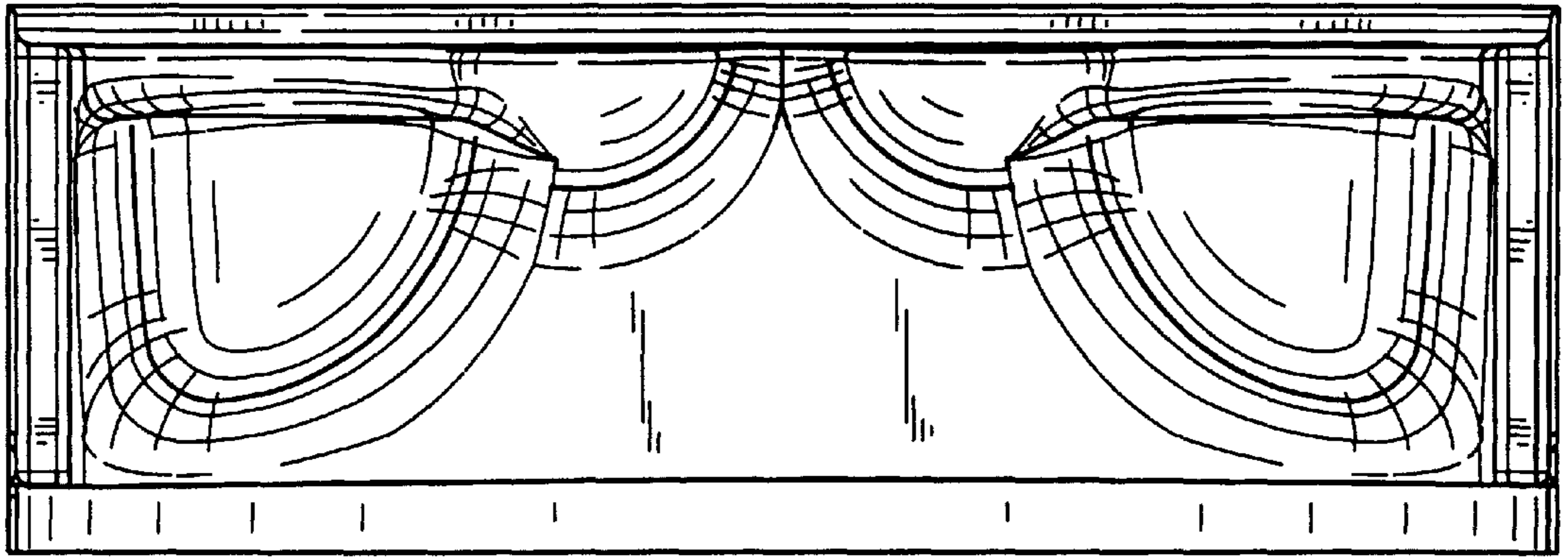


FIG. 4

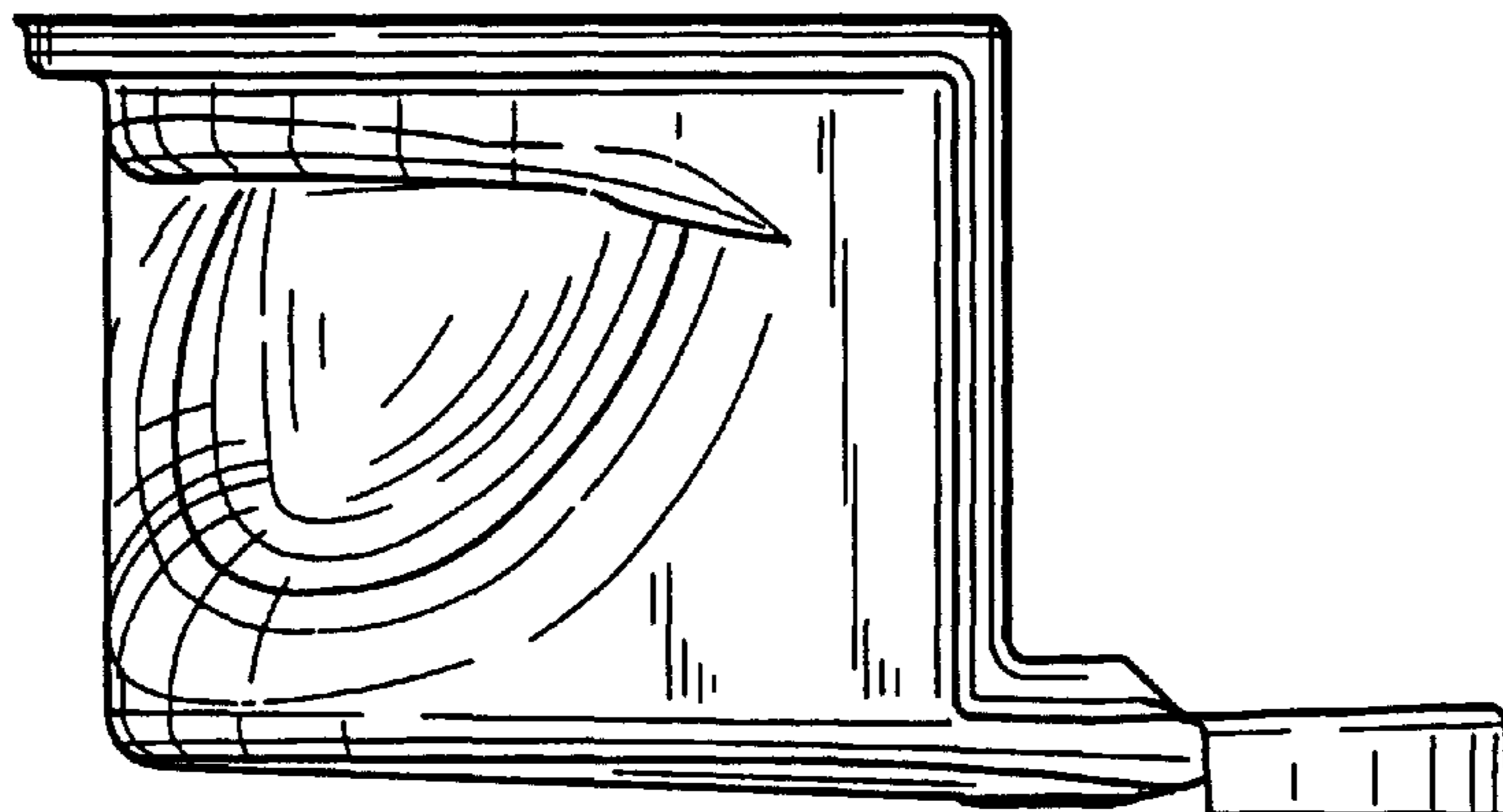


FIG. 5

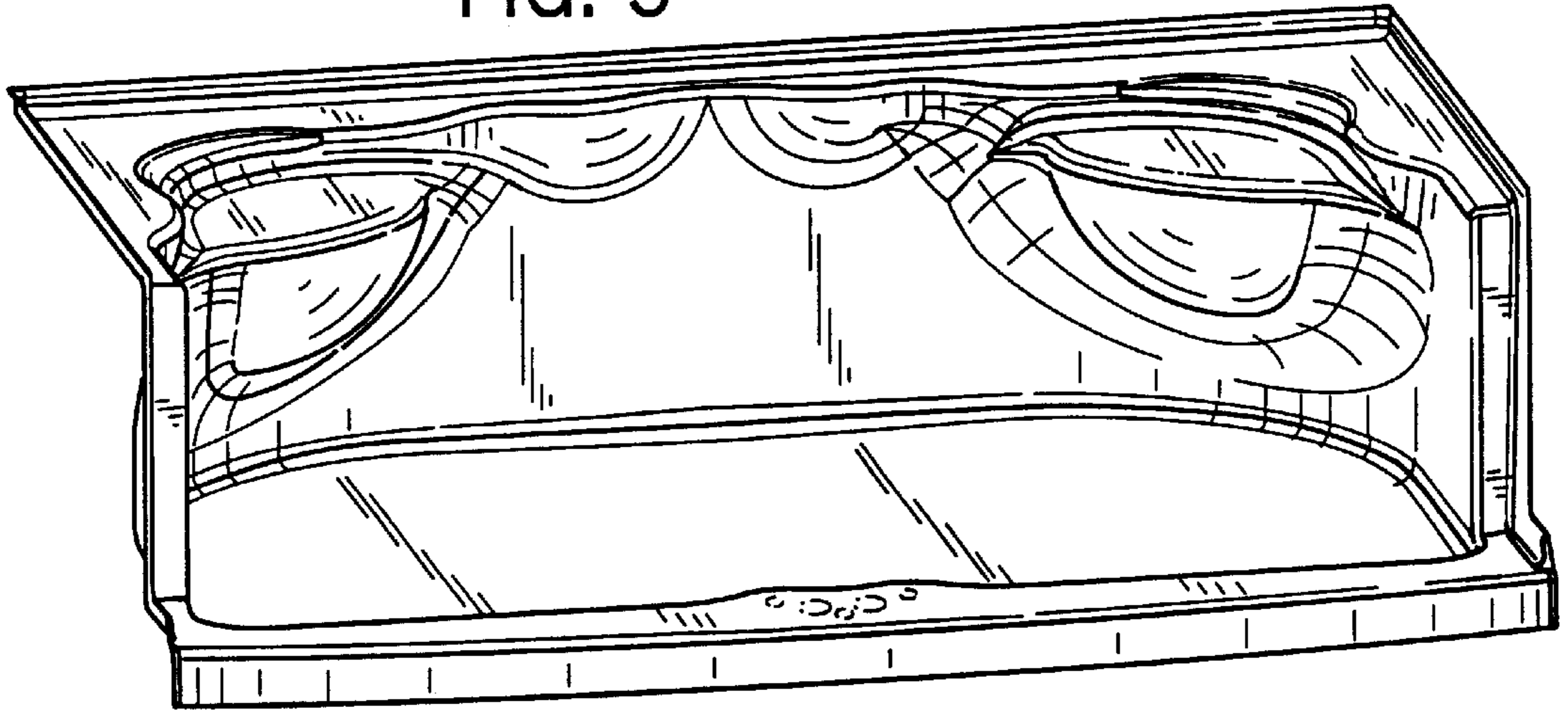


FIG. 6

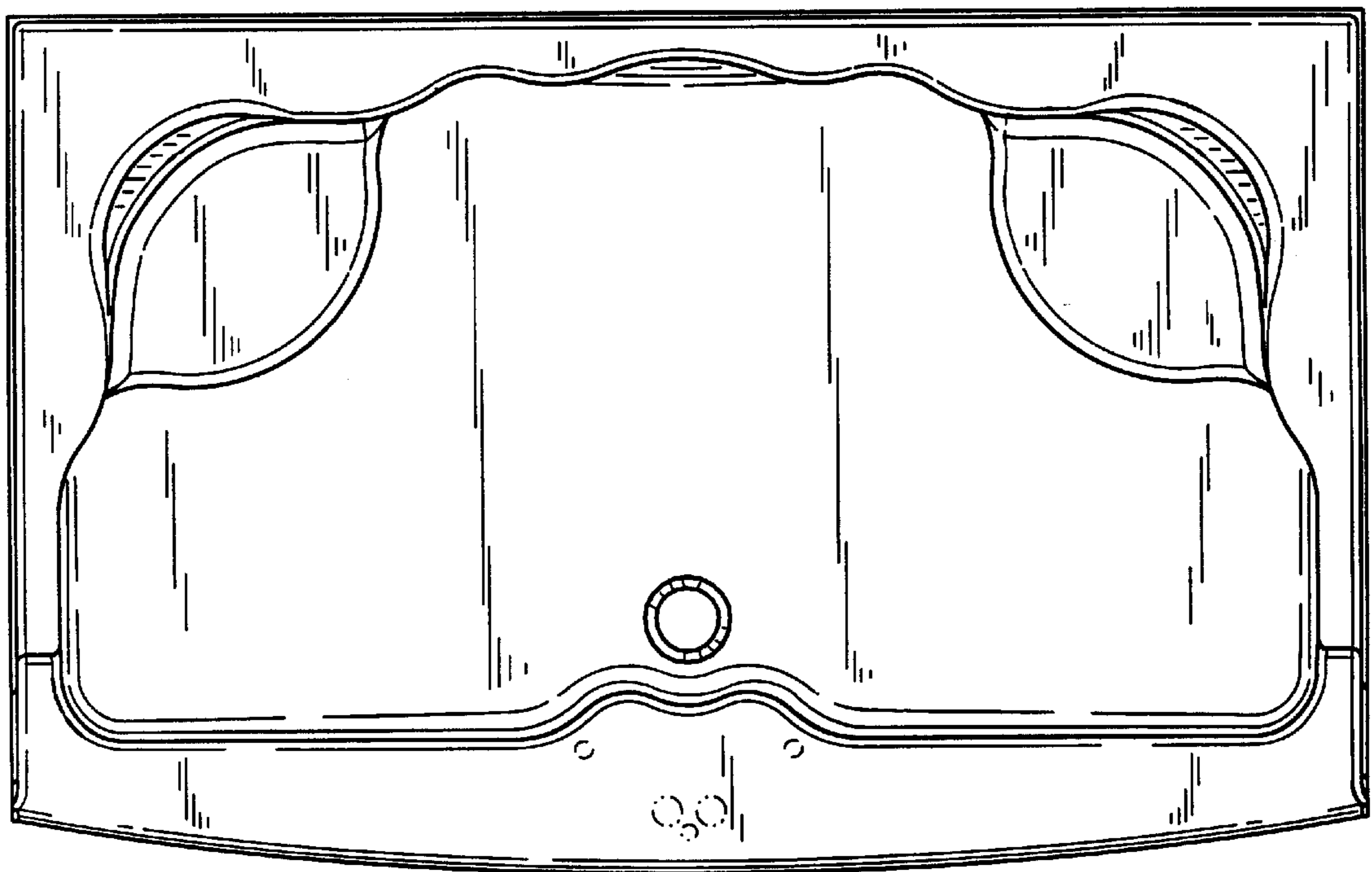


FIG. 7

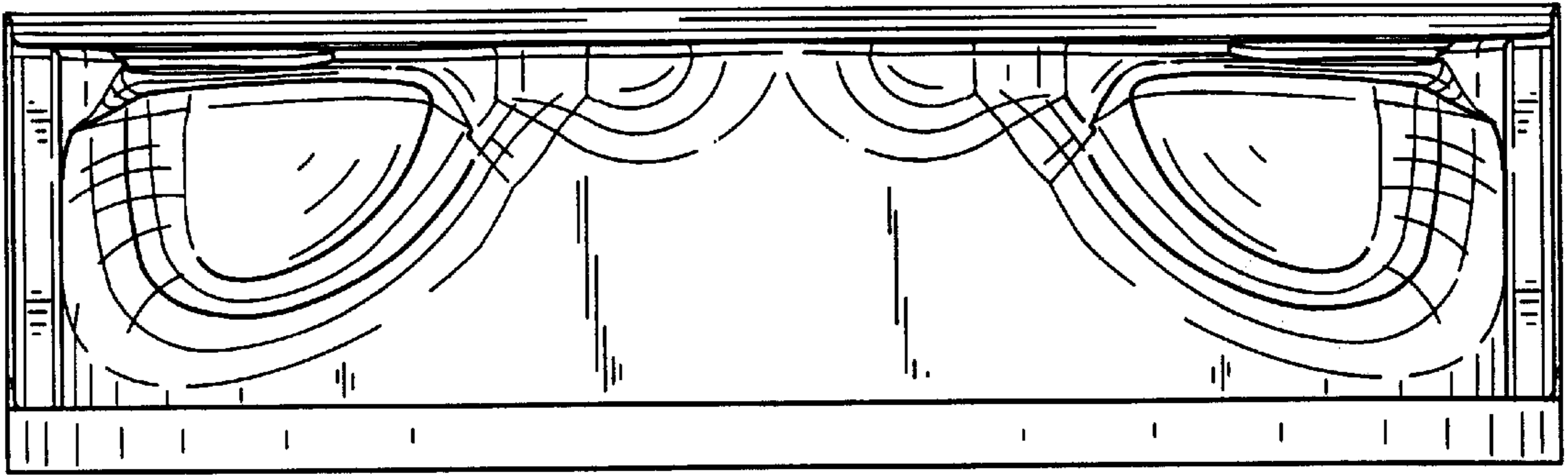


FIG. 8

