



US00D444861S

(12) **United States Design Patent**
Smith

(10) **Patent No.:** **US D444,861 S**

(45) **Date of Patent:** **** Jul. 10, 2001**

(54) **TUB FOR BATHING**

(75) Inventor: **Michael S. Smith**, Santa Monica, CA (US)

(73) Assignee: **Kallista, Inc.**, Kohler, WI (US)

(**) Term: **14 Years**

(21) Appl. No.: **29/121,376**

(22) Filed: **Apr. 5, 2000**

(51) **LOC (7) Cl.** **23-02**

(52) **U.S. Cl.** **D23/277**

(58) **Field of Search** D23/275-278,
D23/280.1, 280.2, 280.3, 303, 304-307;
4/538, 540, 546, 584, 592

(56) **References Cited**

U.S. PATENT DOCUMENTS

- D. 24,890 * 11/1895 Marshuetz D23/280.4
- D. 37,257 * 12/1904 Lloyd D23/280.4
- 2,264,672 * 12/1941 Levine D23/304 X
- 5,430,898 * 7/1995 Jones 4/592

OTHER PUBLICATIONS

Undated Broadway catalog ad, p. 9, showing an "Edwardian Suite" tub.

Undated Kohler catalog ad showing an "Imperial" tub.

* cited by examiner

Primary Examiner—Louis S. Zarfes

Assistant Examiner—Robert A. Delehanty

(74) *Attorney, Agent, or Firm*—Quarles & Brady LLP

(57) **CLAIM**

The ornamental design for a tub for bathing, as shown and described.

DESCRIPTION

In a preferred embodiment, the nature of this product is as a plumbing fixture primarily useful for washing the body of humans.

FIG. 1 is a left, top, front perspective view of a tub for bathing embodying my new design;

FIG. 2 is a top plan view thereof;

FIG. 3 is a front elevational view thereof, the rear elevational view being a mirror image of the front elevational view shown;

FIG. 4 is a left side elevational view thereof;

FIG. 5 is a right side elevational view thereof;

FIG. 6 is a bottom plan view thereof; and,

FIG. 7 is a cross-sectional view thereof taken along line 7-7 of FIG. 2.

1 Claim, 2 Drawing Sheets

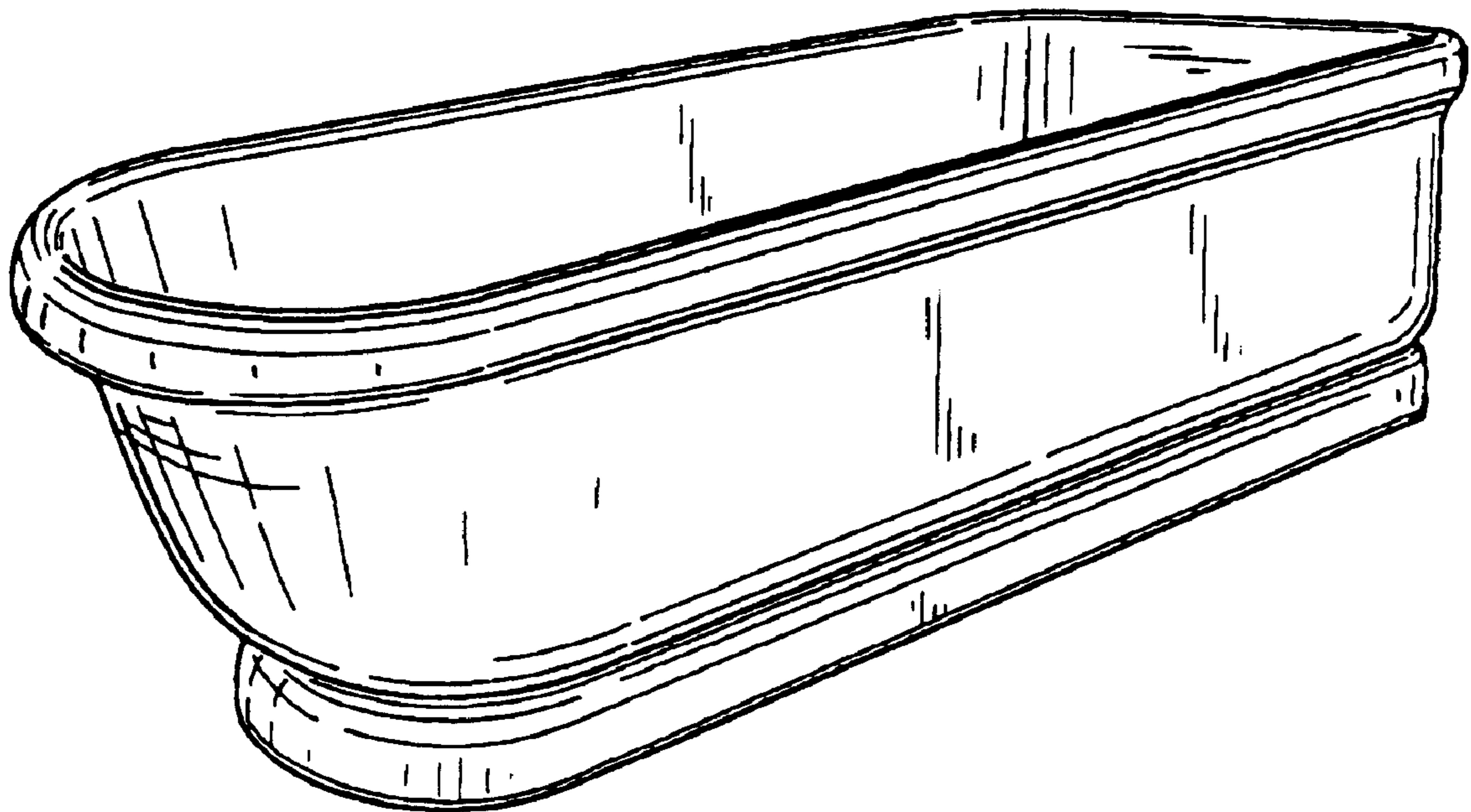


FIG. 1

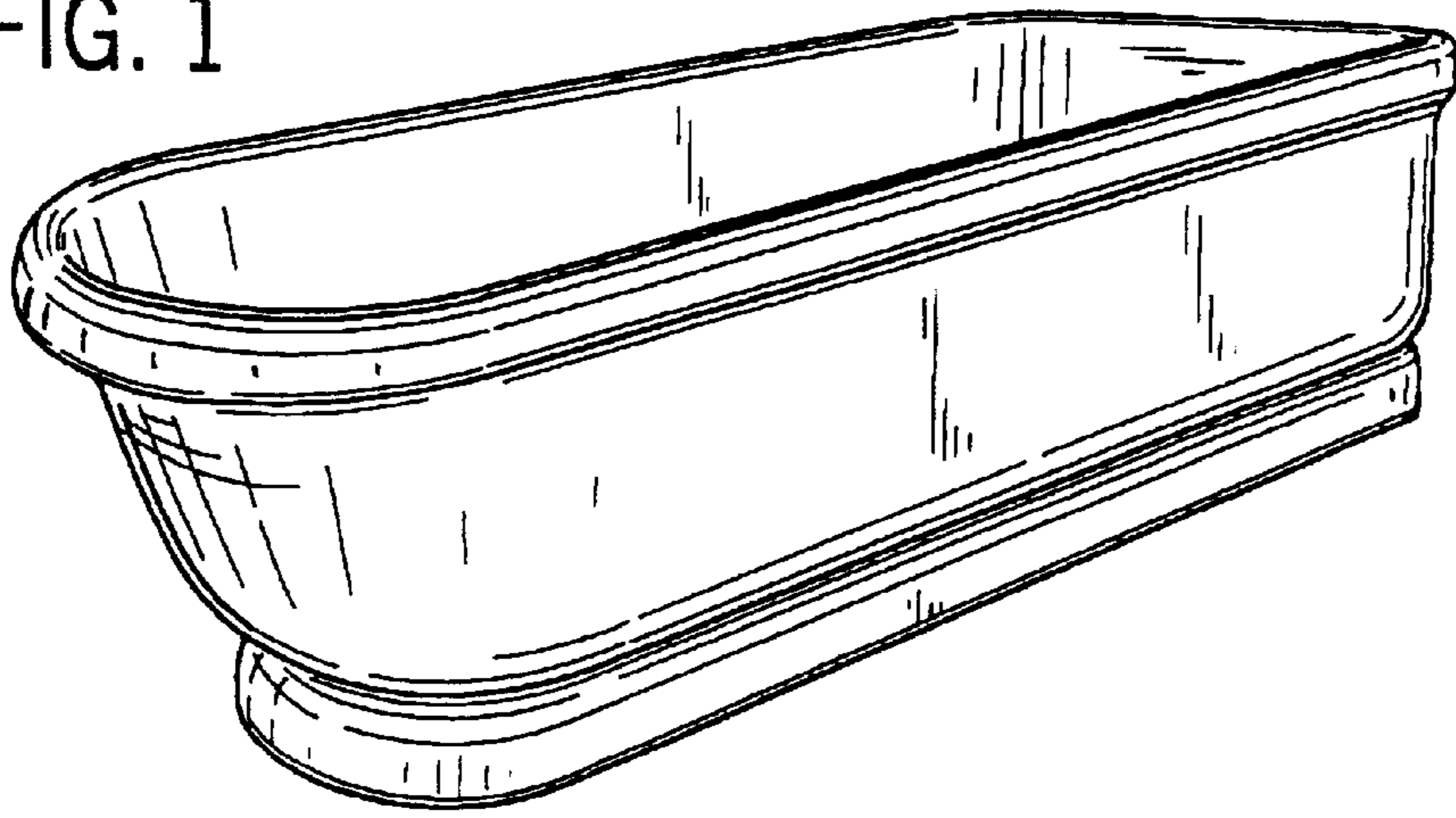


FIG. 2

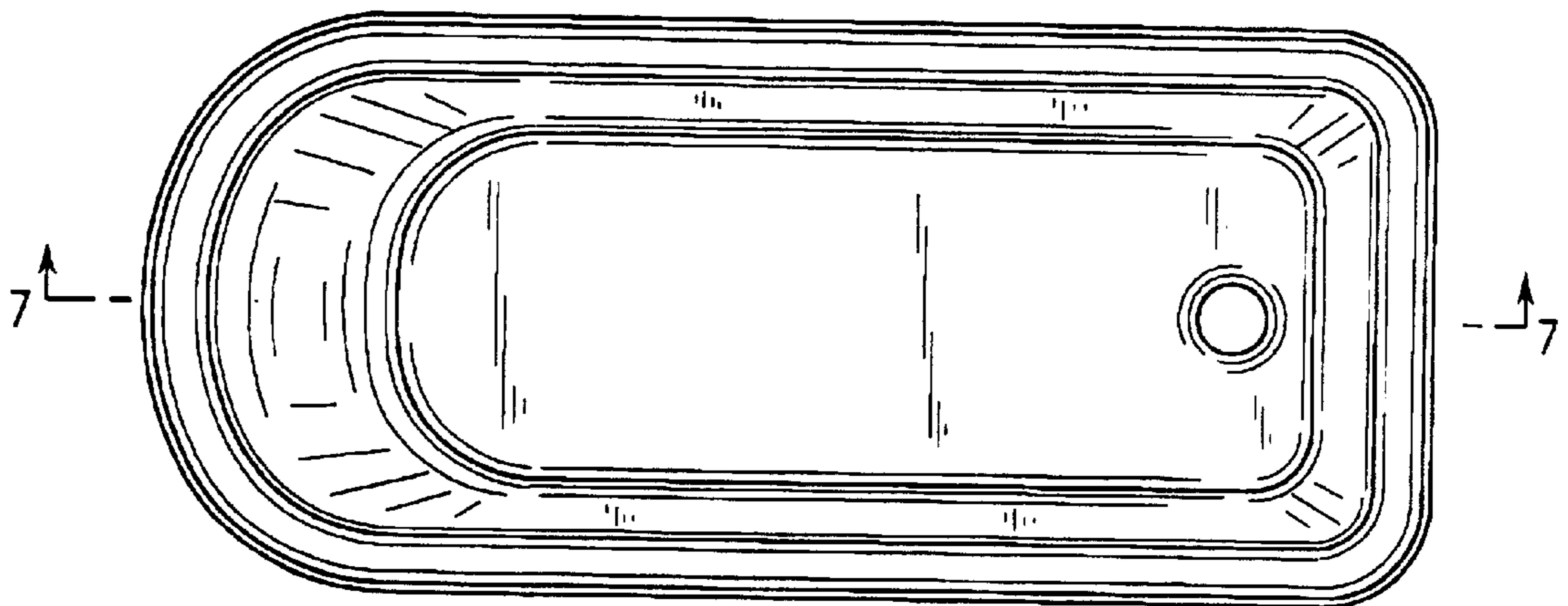


FIG. 3

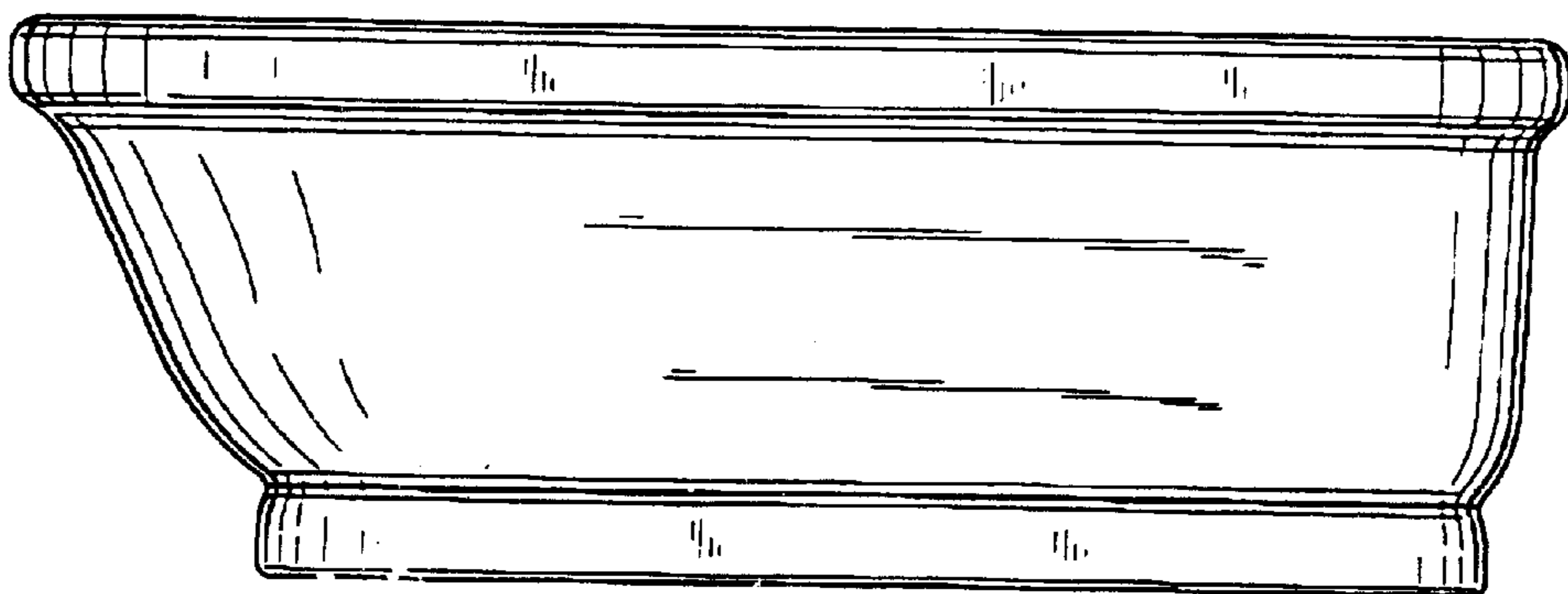


FIG. 4

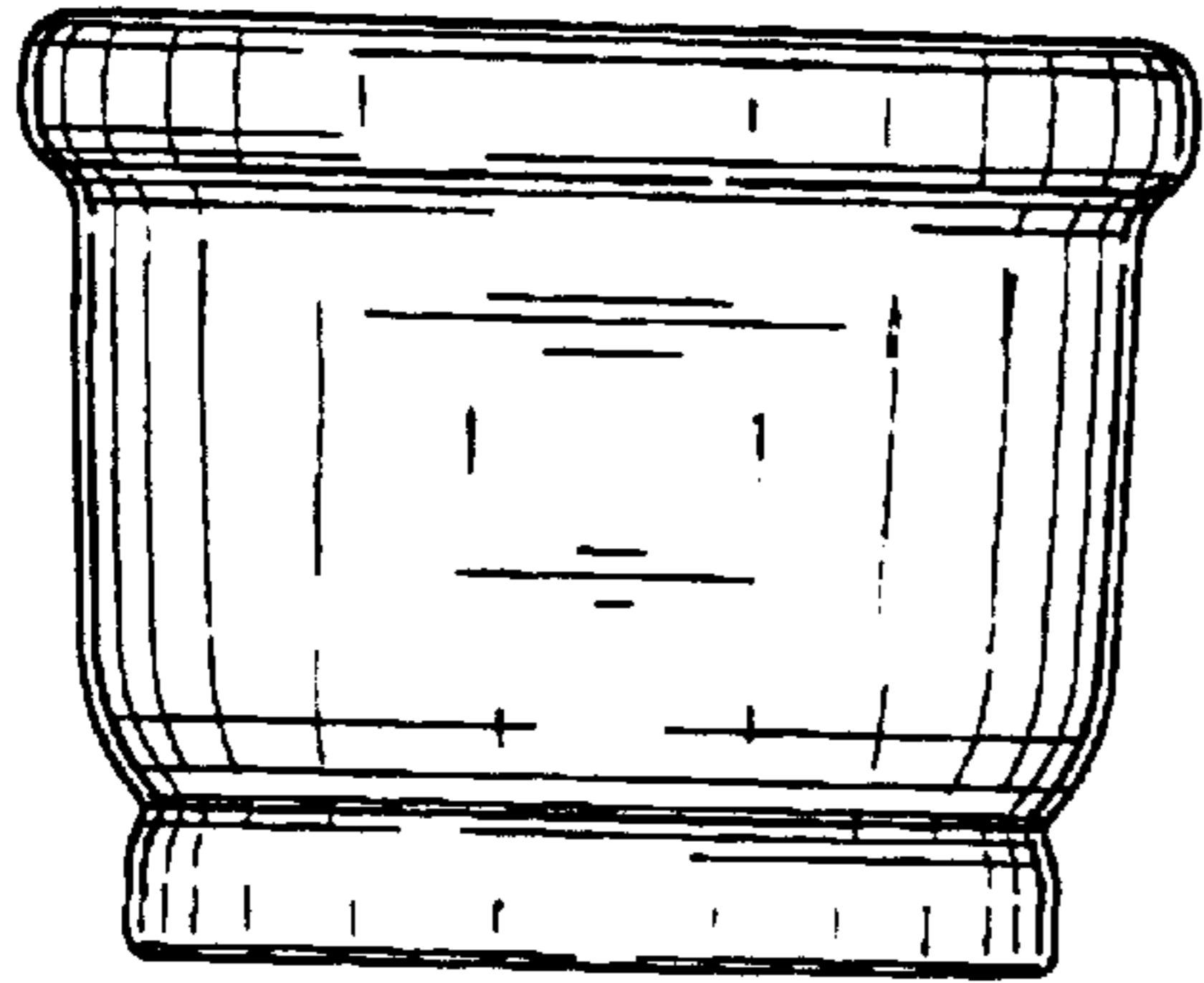


FIG. 5

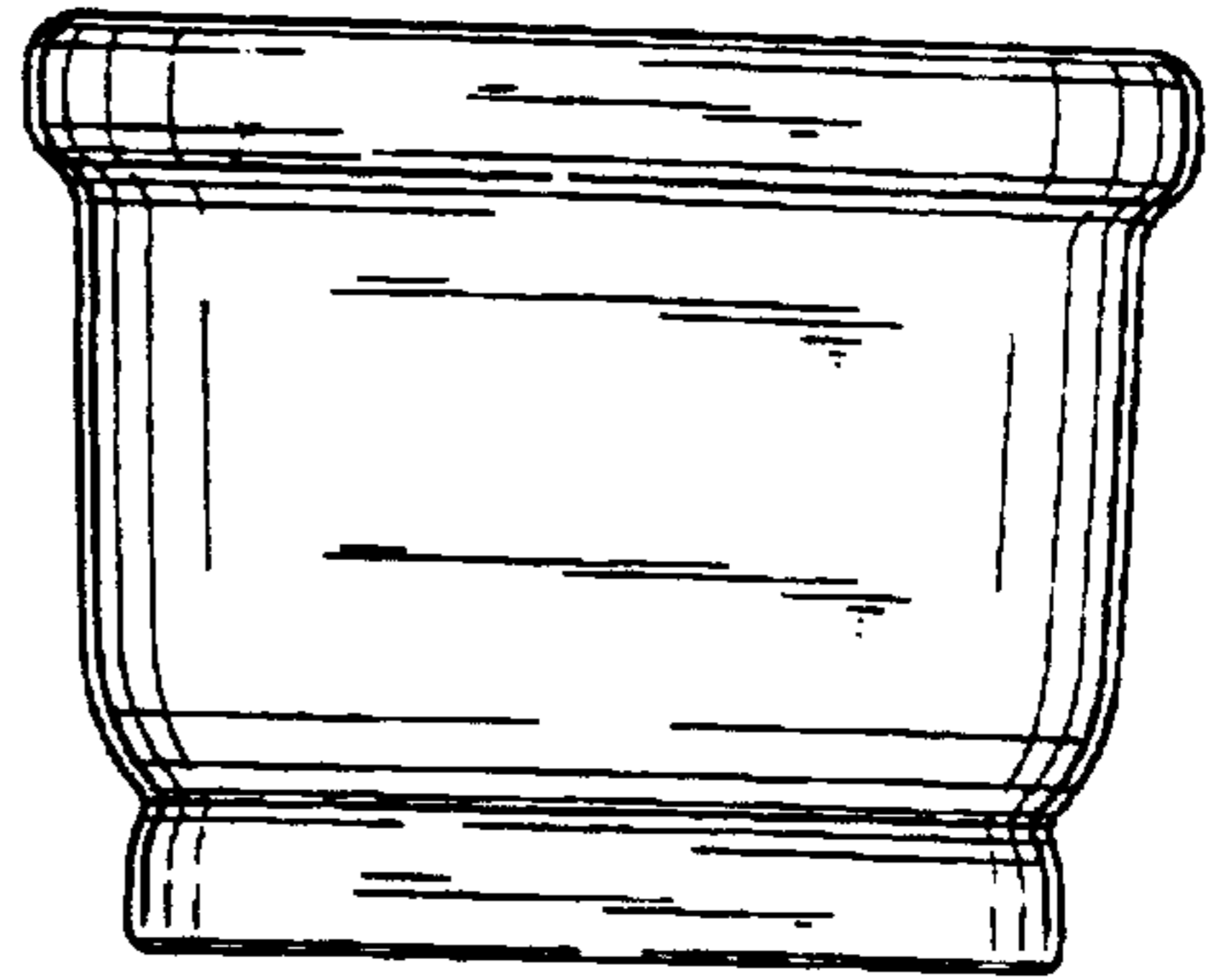


FIG. 6

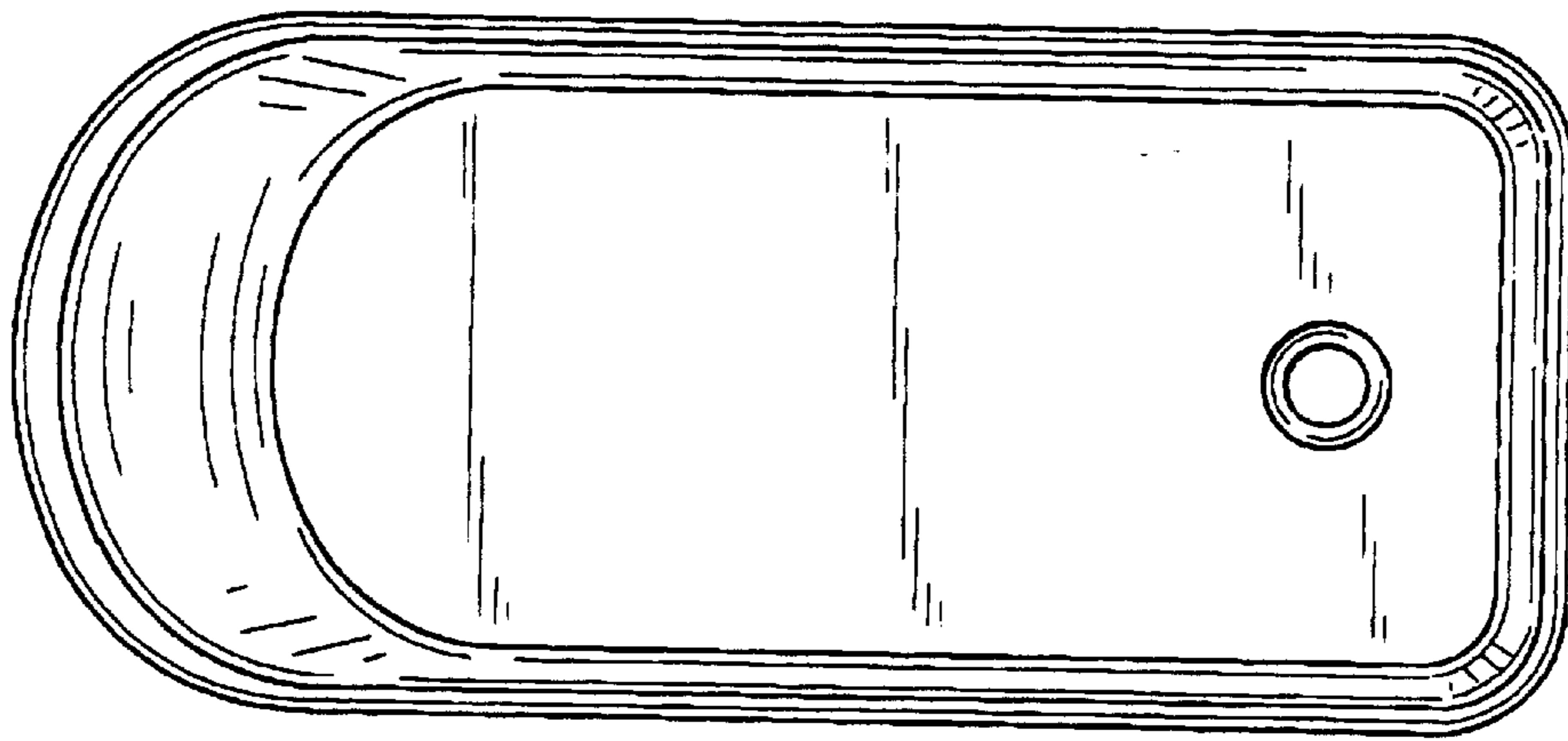


FIG. 7

