



US00D444860S

(12) **United States Design Patent**
Slothower

(10) **Patent No.:** **US D444,860 S**

(45) **Date of Patent:** **** Jul. 10, 2001**

(54) **SPOUT**

(75) **Inventor:** **Erich D. Slothower**, Sheboygan, WI (US)

(73) **Assignee:** **Kohler Co.**, Kohler, WI (US)

(**) **Term:** **14 Years**

(21) **Appl. No.:** **29/121,391**

(22) **Filed:** **Apr. 5, 2000**

(51) **LOC (7) Cl.** **73-01**

(52) **U.S. Cl.** **D23/255**

(58) **Field of Search** D23/238-243,
D23/245, 249, 257; 4/675-678; 16/110 R-121;
137/801; D8/300-310, 350-354; D24/121,
122, 224; D10/46.2; D7/310, 312

(56) **References Cited**

U.S. PATENT DOCUMENTS

D. 27,258	*	6/1897	Kemble	D24/224
D. 40,106	*	6/1909	Yacoobian	D23/255
D. 237,770	*	11/1975	Daenen	D7/316
D. 316,529	*	4/1991	Beckman	D10/46.2
D. 319,685	*	9/1991	Kohler, Jr. et al.	D23/255
D. 326,504	*	5/1992	Robbins	D23/255
D. 328,492	*	8/1992	Mathis	D24/121

OTHER PUBLICATIONS

Undated Kallista ad showing "Gold Echo Round" spout.

* cited by examiner

Primary Examiner—Louis S. Zarfes

Assistant Examiner—Gregory Andoll

(74) *Attorney, Agent, or Firm*—Quarles & Brady LLP

(57) **CLAIM**

The ornamental design for a spout, as shown and described.

DESCRIPTION

In a preferred embodiment, the nature of this product is as a spout for a plumbing fixture which is primarily useful for washing the face and hands of humans.

FIG. 1 is a left, top, front perspective view of a spout embodying my new design;

FIG. 2 is a left side elevational view thereof, the right side elevational view being a mirror image of the left side shown;

FIG. 3 is a front elevational view thereof;

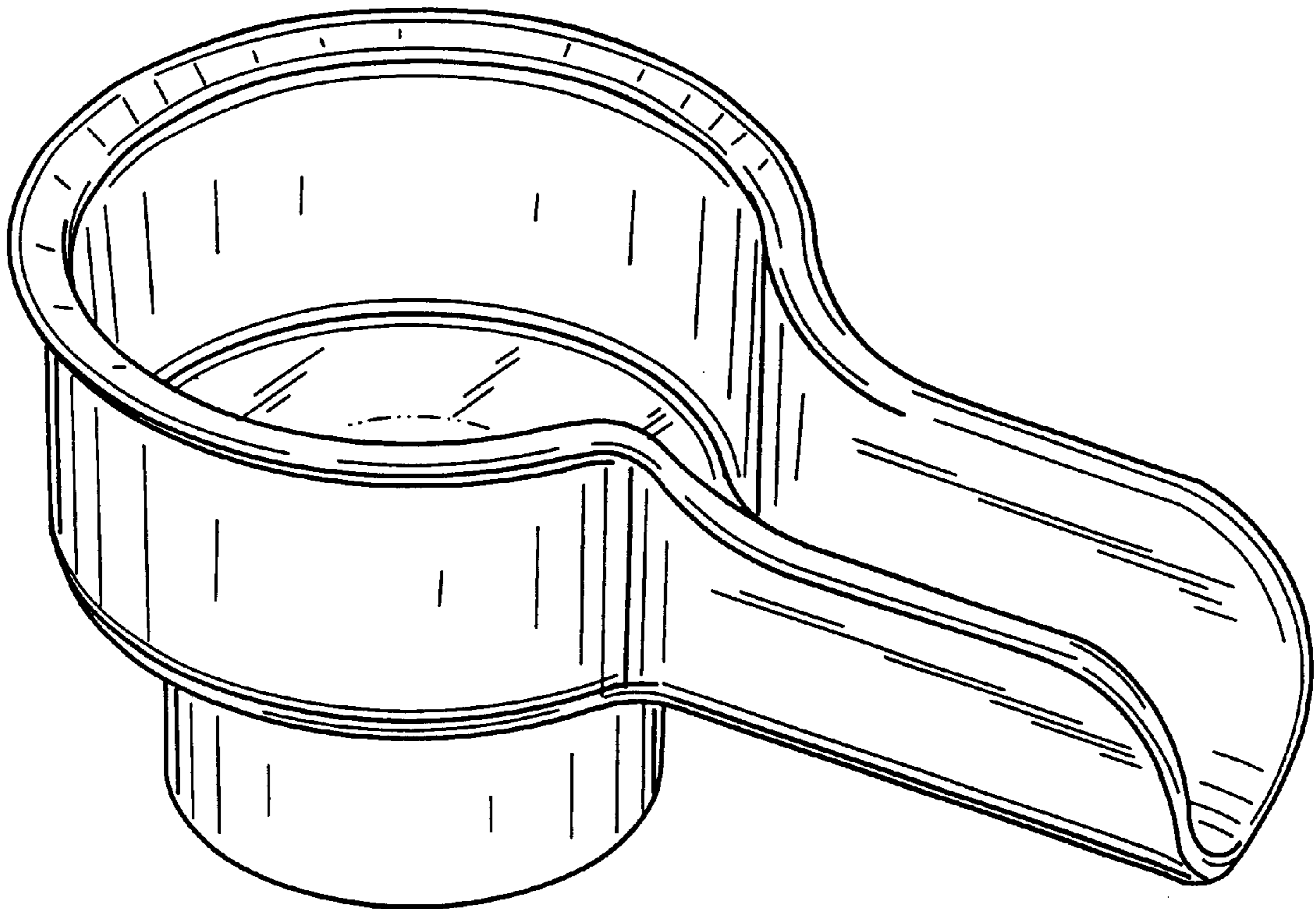
FIG. 4 is a rear elevational view thereof;

FIG. 5 is a top plan view thereof; and,

FIG. 6 is a bottom plan view thereof.

The broken line representations of mounting structure in FIGS. 1, 3, 5, and 6 are for the purpose of illustration only, and form no part of the claimed design.

1 Claim, 2 Drawing Sheets



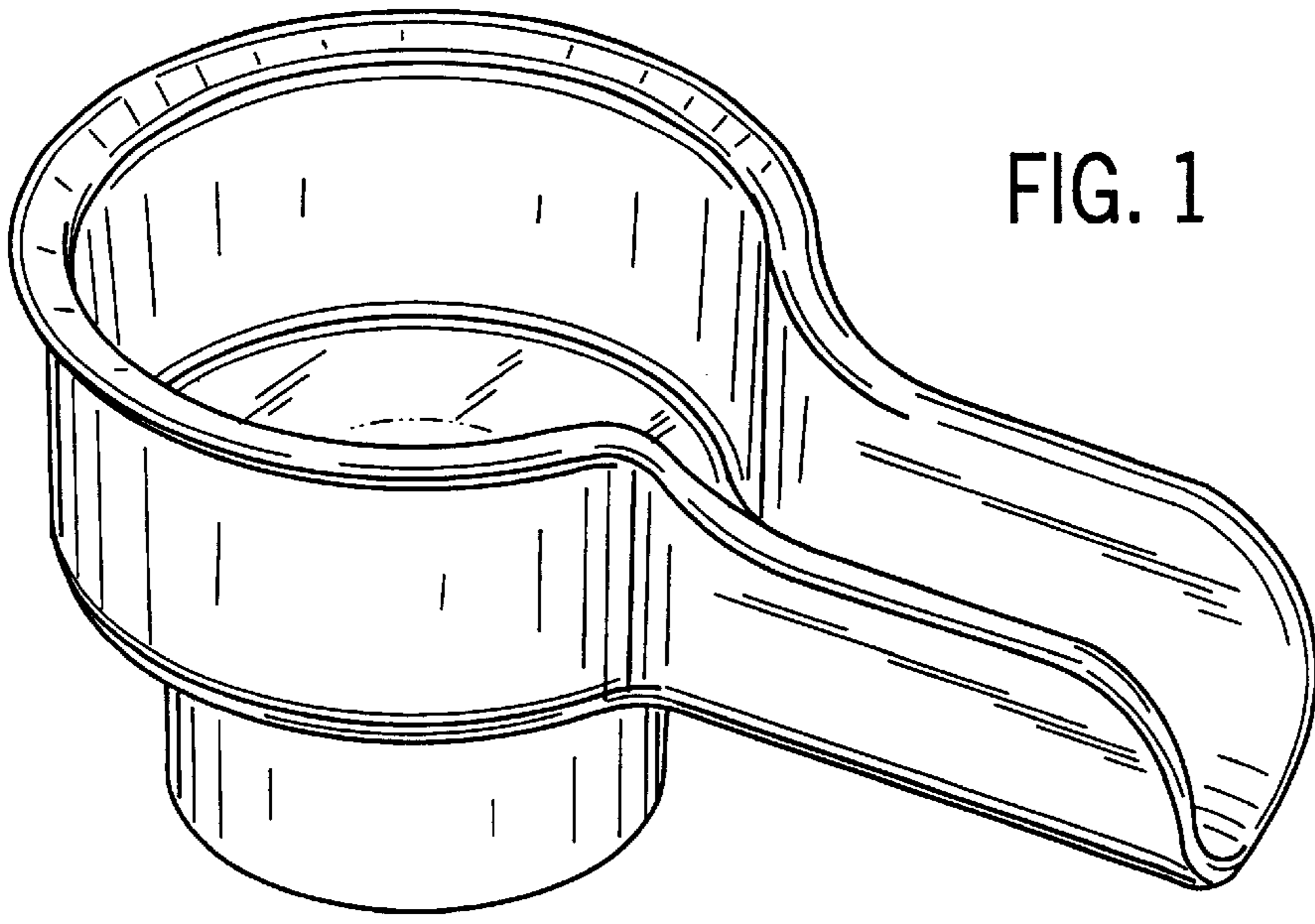


FIG. 1

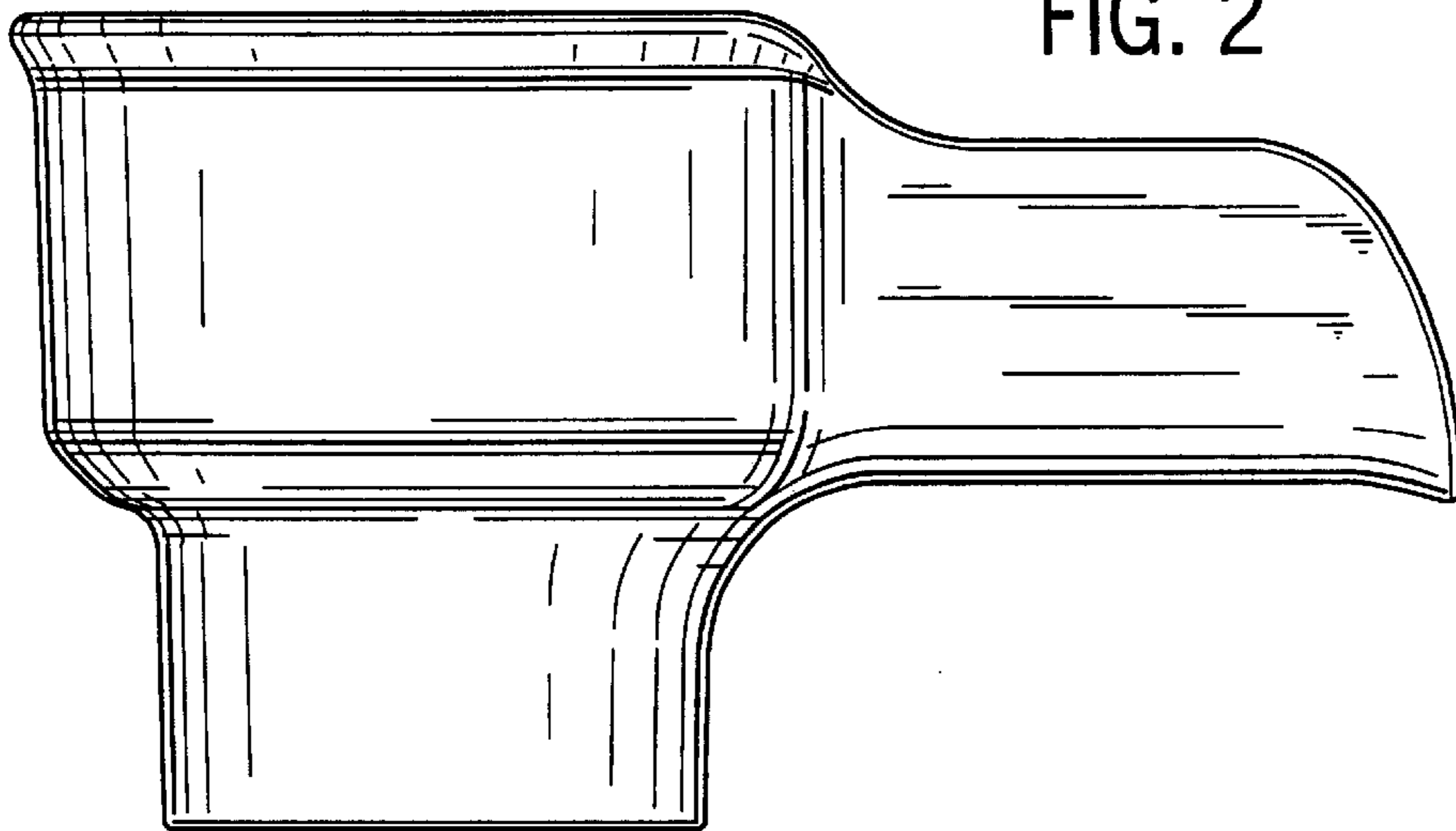


FIG. 2

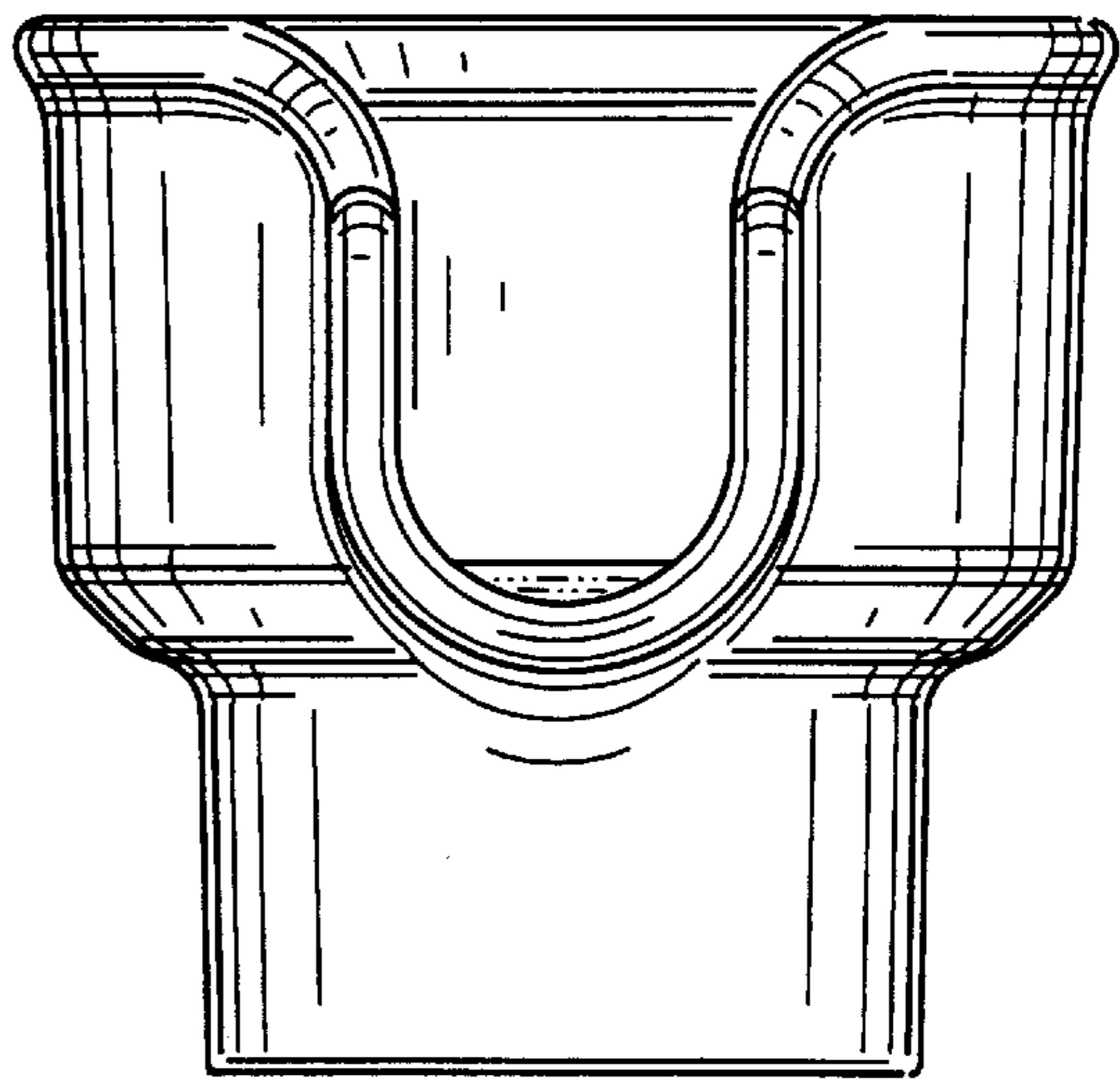


FIG. 3

FIG. 4

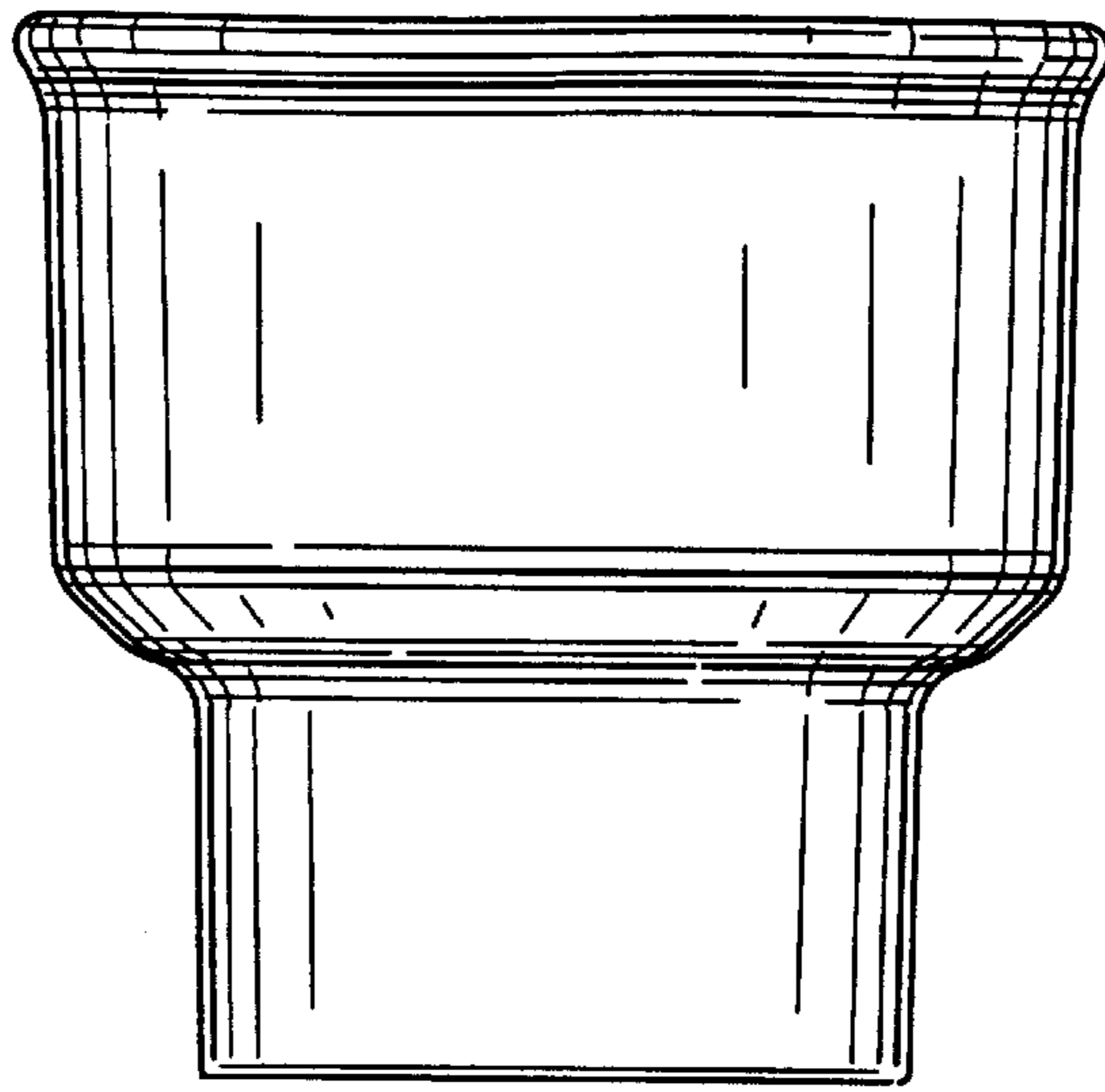


FIG. 5

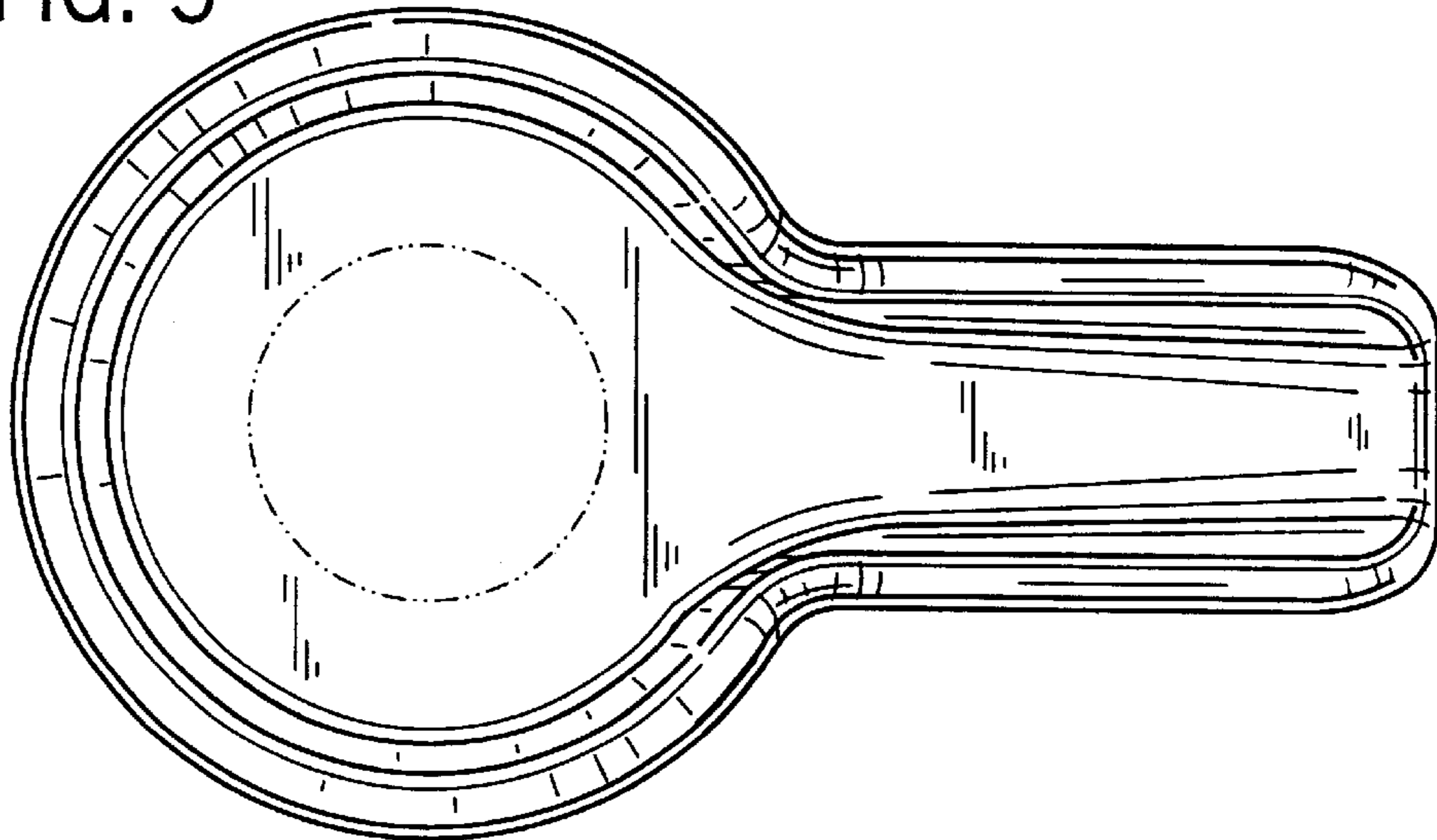


FIG. 6

