



US00D444853S

(12) **United States Design Patent**
Lord

(10) **Patent No.:** **US D444,853 S**

(45) **Date of Patent:** **** Jul. 10, 2001**

(54) **FAUCET HANDLE**

(75) **Inventor:** **Judd A. Lord, Carmel, IN (US)**

(73) **Assignee:** **Masco Corporation of Indiana, Indianapolis, IN (US)**

(*) **Notice:** This patent is subject to a terminal disclaimer.

(**) **Term:** **14 Years**

(21) **Appl. No.:** **29/117,804**

(22) **Filed:** **Jan. 31, 2000**

(51) **LOC (7) Cl.** **23-01**

(52) **U.S. Cl.** **D23/252; D23/250**

(58) **Field of Search** **D23/238-243, D23/249-254; D8/300-303, 308, 321, DIG. 3; 4/675-678; 16/110 R; 137/801**

(56) **References Cited**

U.S. PATENT DOCUMENTS

| | | | | | |
|------------|---|---------|--------------|-------|---------|
| D. 44,107 | * | 5/1913 | Newton | | D23/238 |
| D. 60,347 | * | 2/1922 | Kersten | | D23/241 |
| D. 81,026 | * | 4/1930 | Schnell | | D23/308 |
| D. 303,490 | * | 9/1989 | Mosch | | D8/321 |
| D. 349,208 | * | 8/1994 | Bollenbacher | | D23/254 |
| D. 349,328 | * | 8/1994 | Bollenbacher | | D23/252 |
| D. 355,578 | * | 2/1995 | Mark et al. | | D8/308 |
| D. 357,525 | * | 4/1995 | Fabian | | D23/252 |
| D. 365,384 | * | 12/1995 | Robbins | | D23/252 |

| | | | | | |
|------------|---|--------|----------------|-------|---------|
| D. 372,764 | * | 8/1996 | Dubin | | D23/254 |
| D. 378,231 | * | 2/1997 | Dubin | | D23/252 |
| D. 391,831 | * | 3/1998 | Doughty et al. | | D8/321 |
| D. 392,720 | * | 3/1998 | Doughty et al. | | D23/250 |
| D. 407,466 | * | 3/1999 | Hundley et al. | | D23/252 |

* cited by examiner

Primary Examiner—Louis S. Zarfes

Assistant Examiner—Gregory Andoll

(74) *Attorney, Agent, or Firm*—Myron B. Kapustij; Lloyd D. Doigan

(57) **CLAIM**

The ornamental design for a faucet handle, as shown and described.

DESCRIPTION

FIG. 1 is a front perspective view of the faucet handle showing my new design;

FIG. 2 is a rear perspective view thereof;

FIG. 3 is a front elevational view thereof;

FIG. 4 is a top plan view thereof;

FIG. 5 is a rear elevational view thereof;

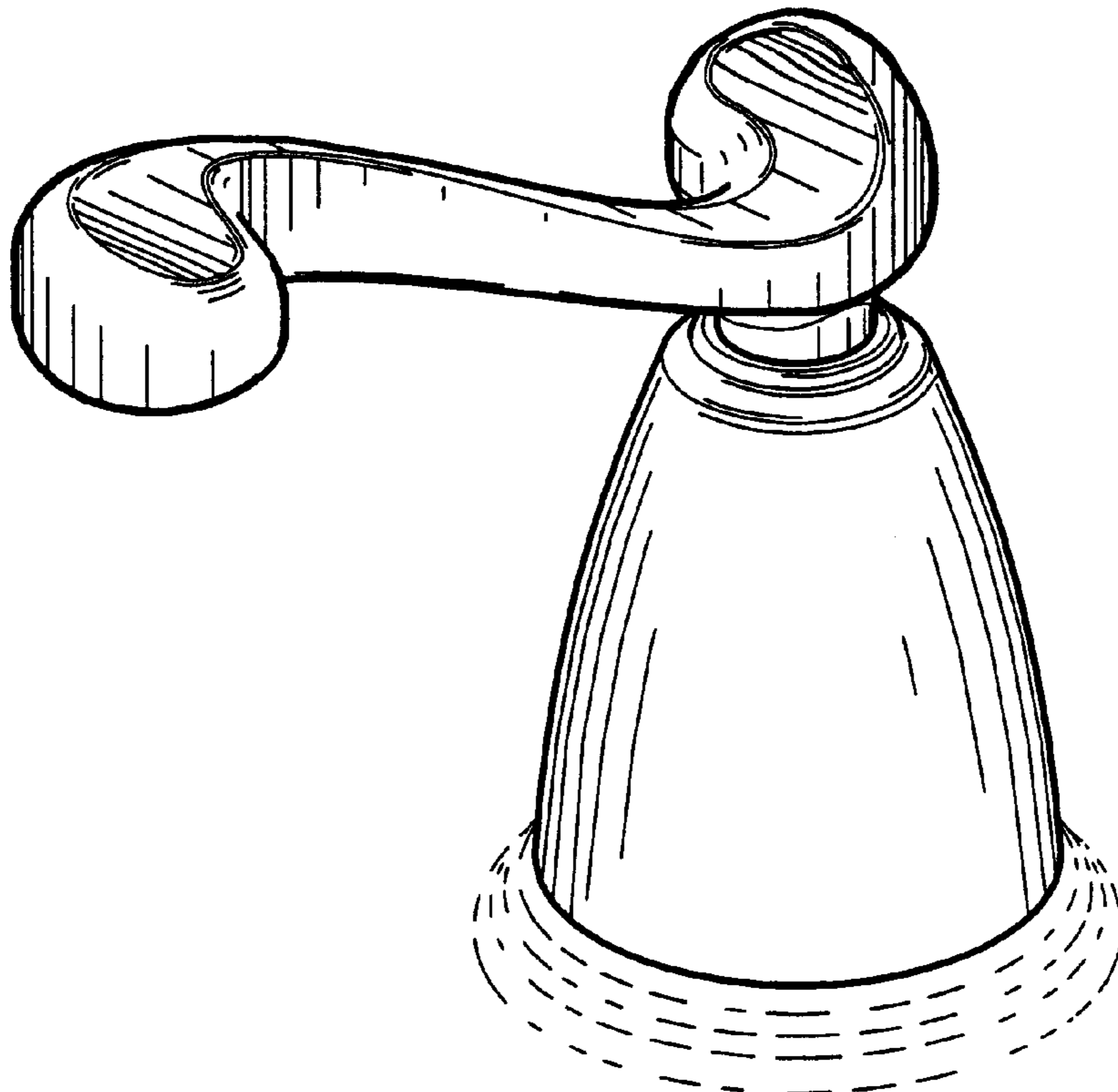
FIG. 6 is a right side elevational view thereof;

FIG. 7 is a left side elevational view thereof; and,

FIG. 8 is a bottom plan view thereof.

The broken line showing of the base of the handle in FIGS. 1-7 is for purposes of illustration only and forms no part of the claimed design.

1 Claim, 4 Drawing Sheets



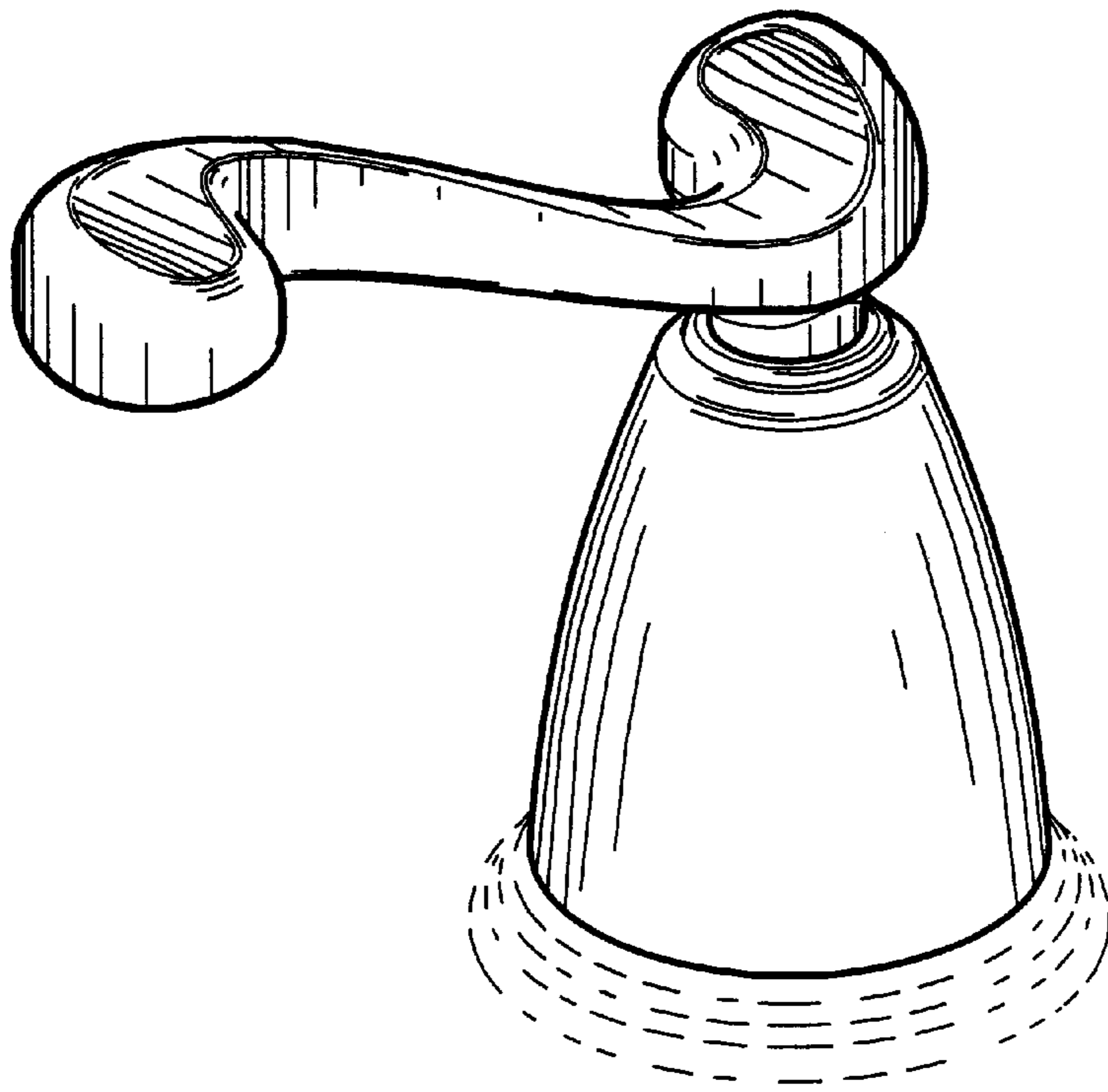


Figure - 1

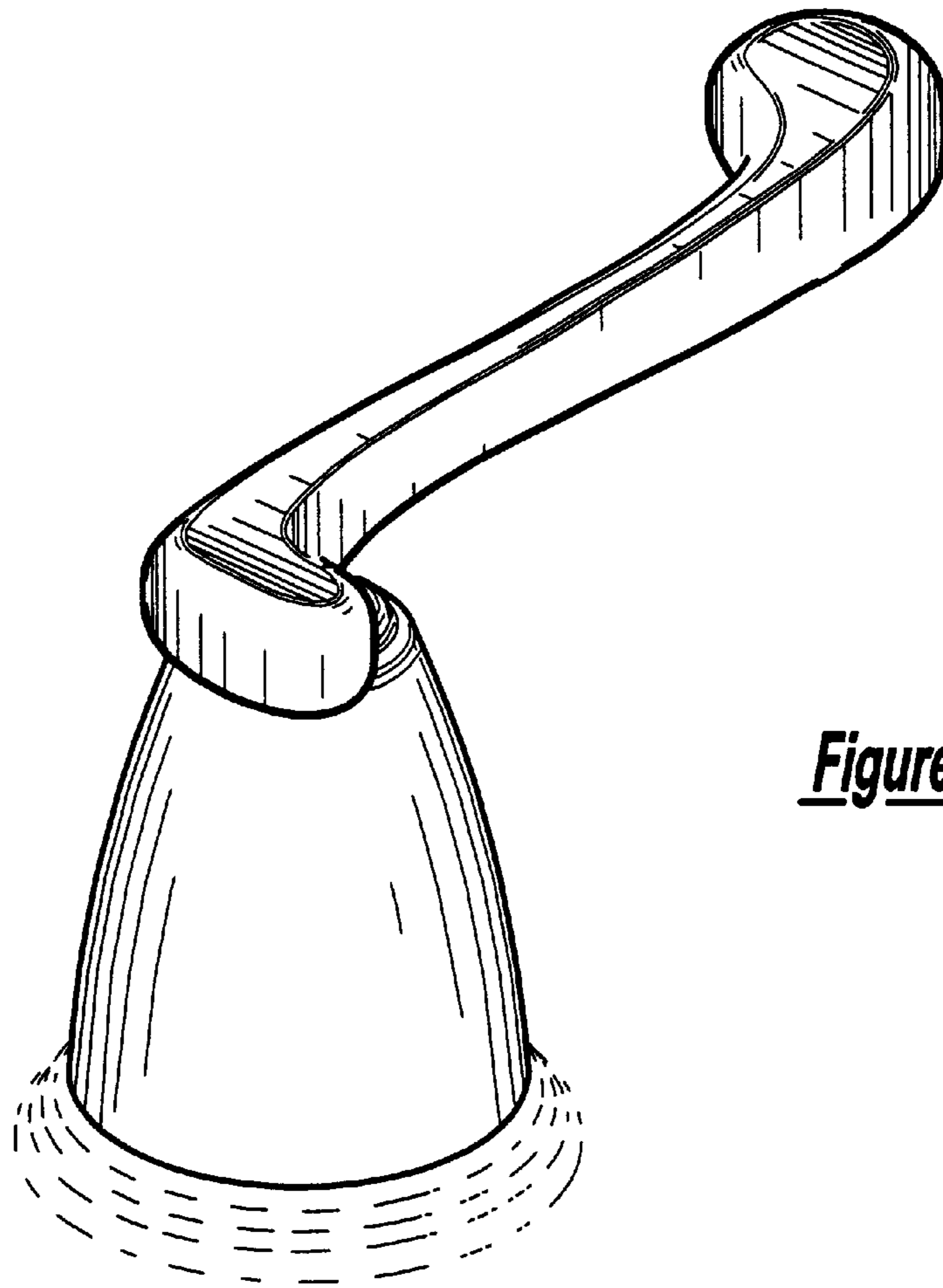


Figure - 2

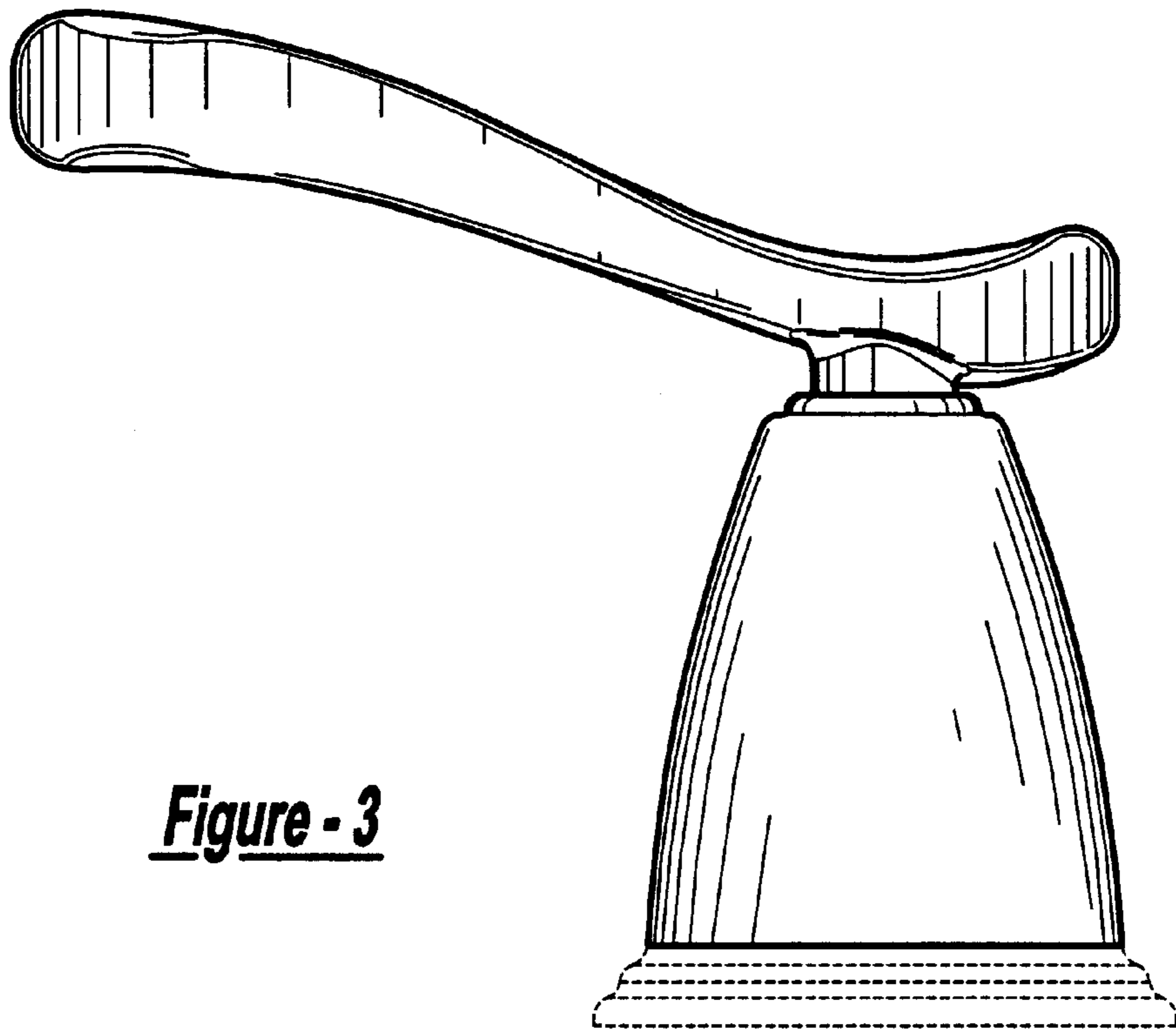


Figure - 3

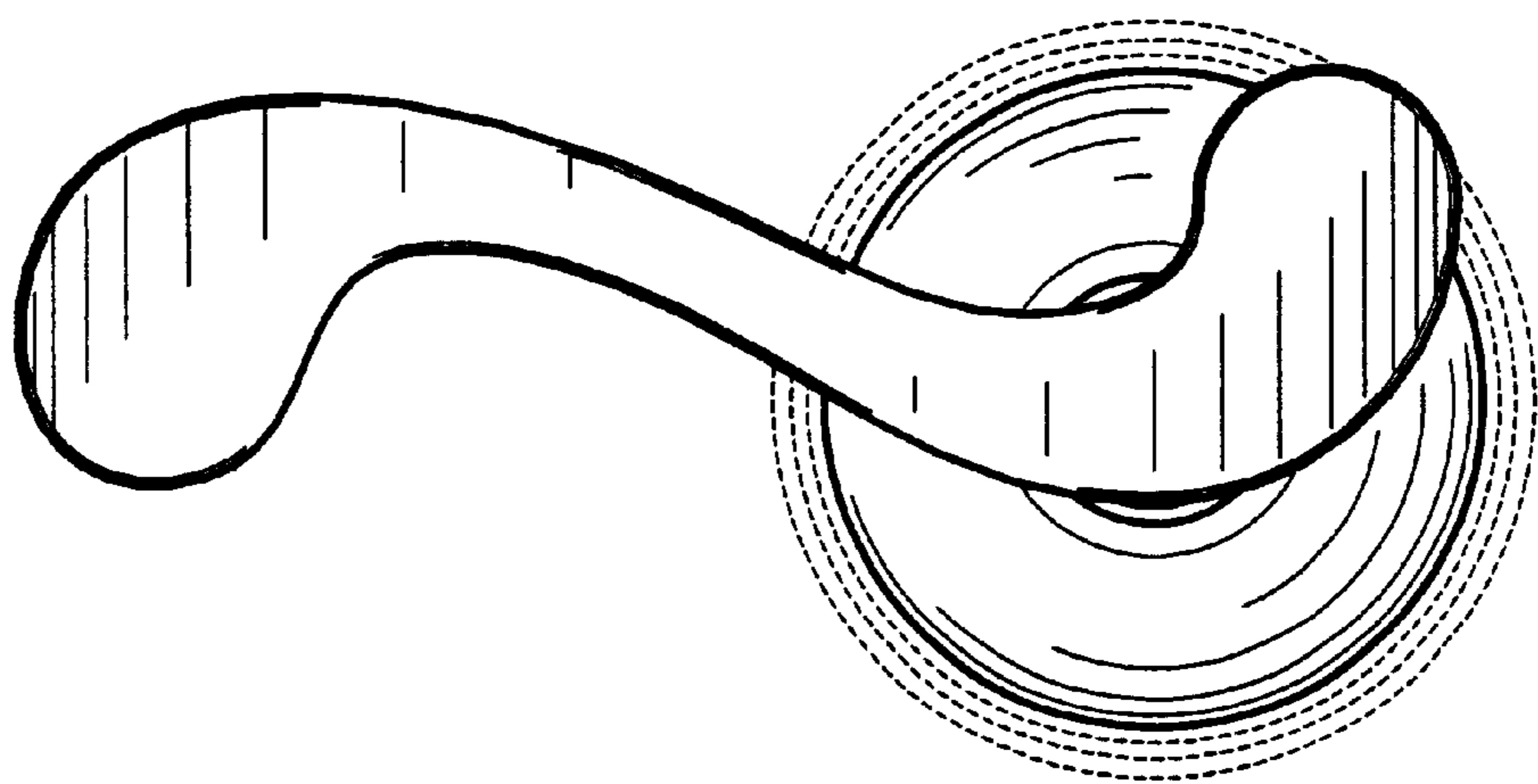


Figure - 4

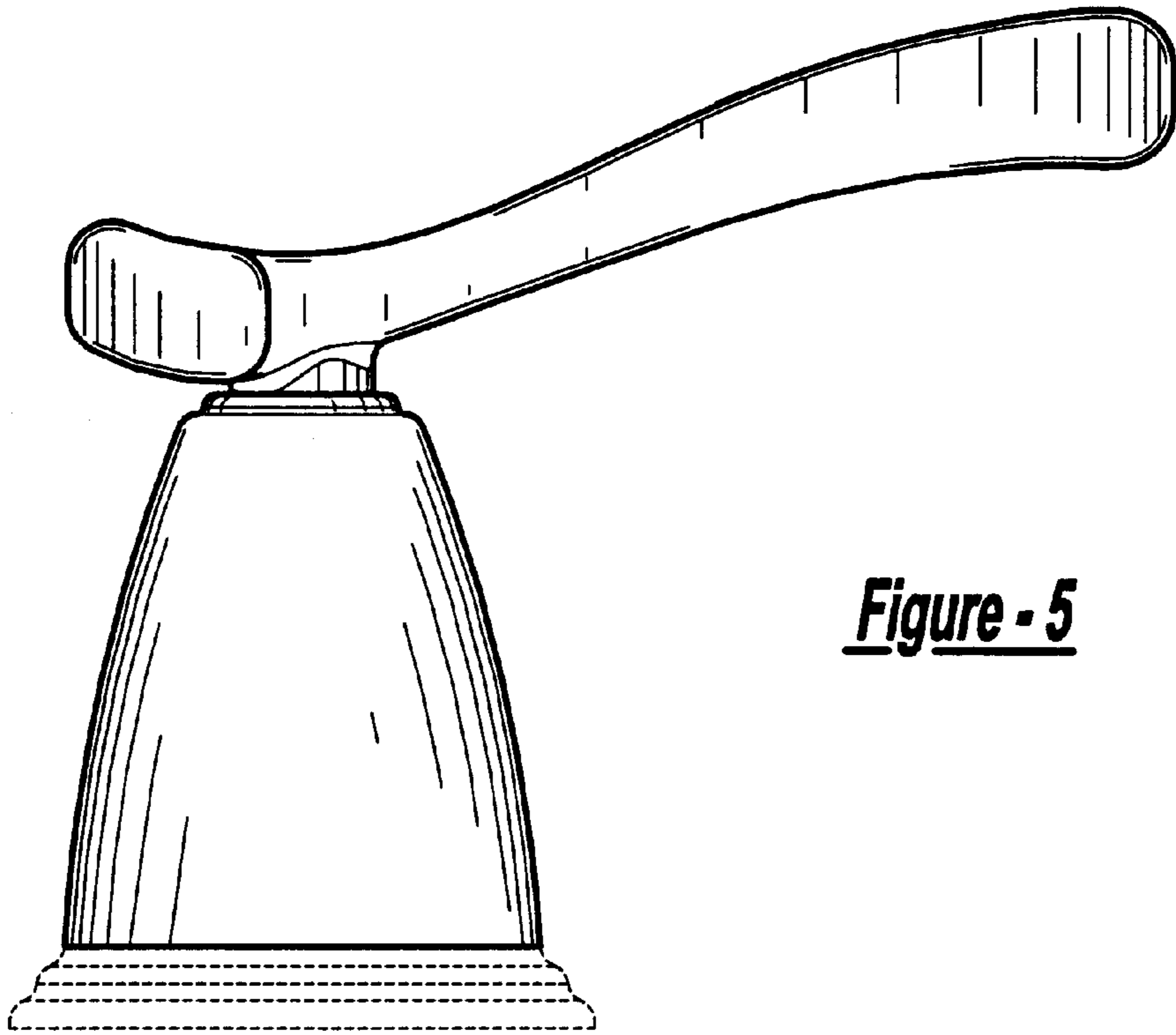
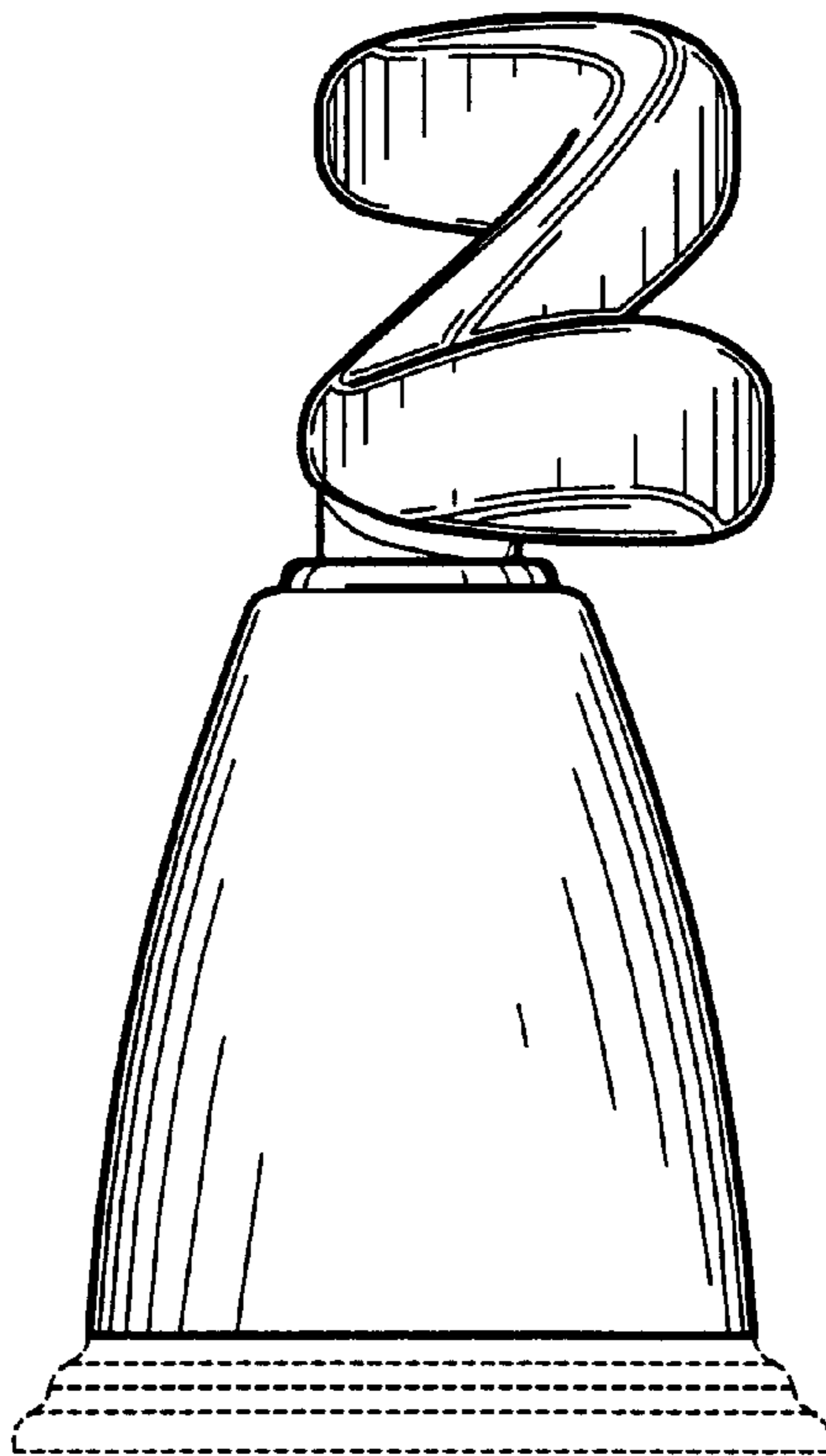


Figure - 5

Figure - 6



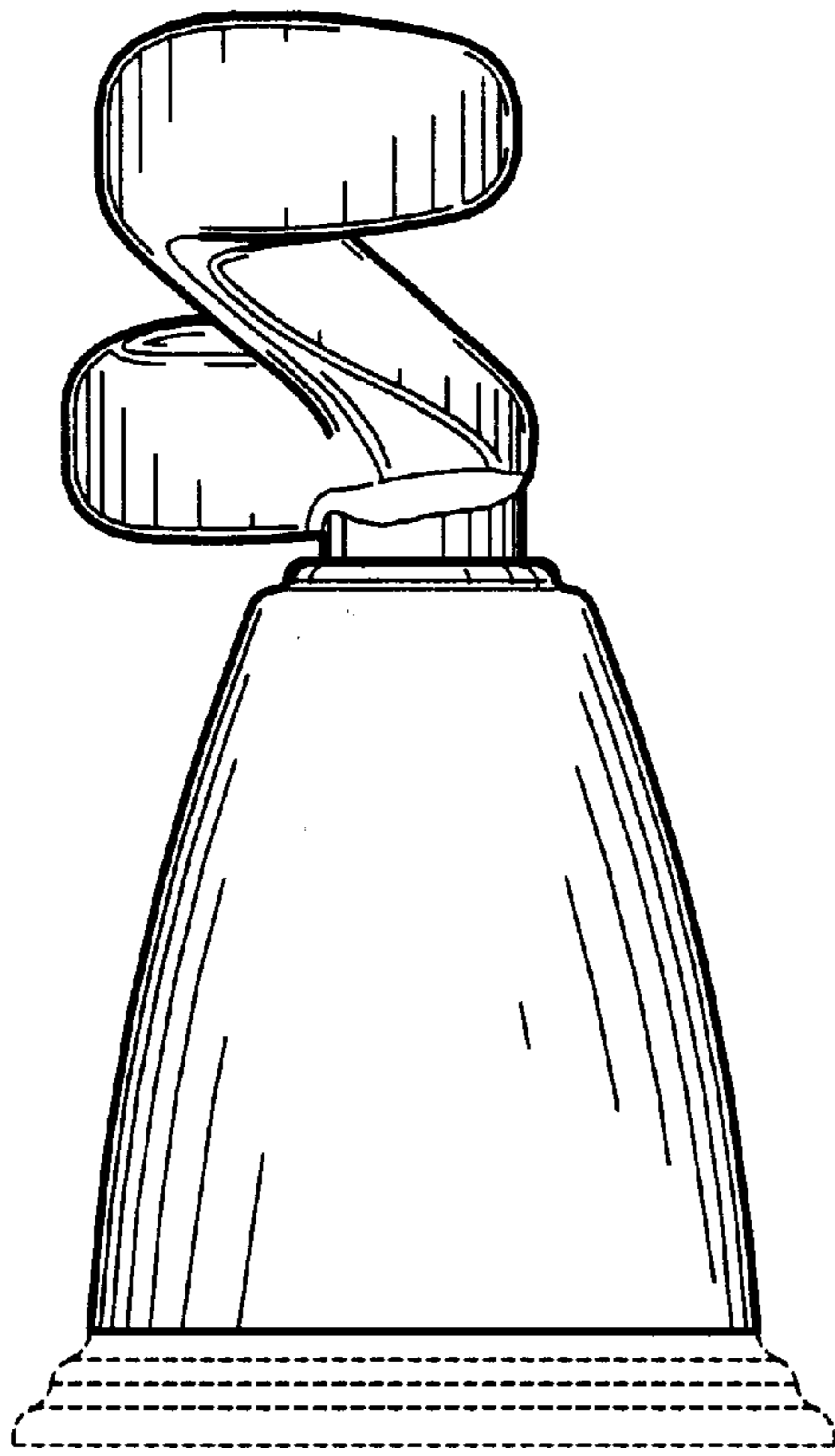


Figure - 7

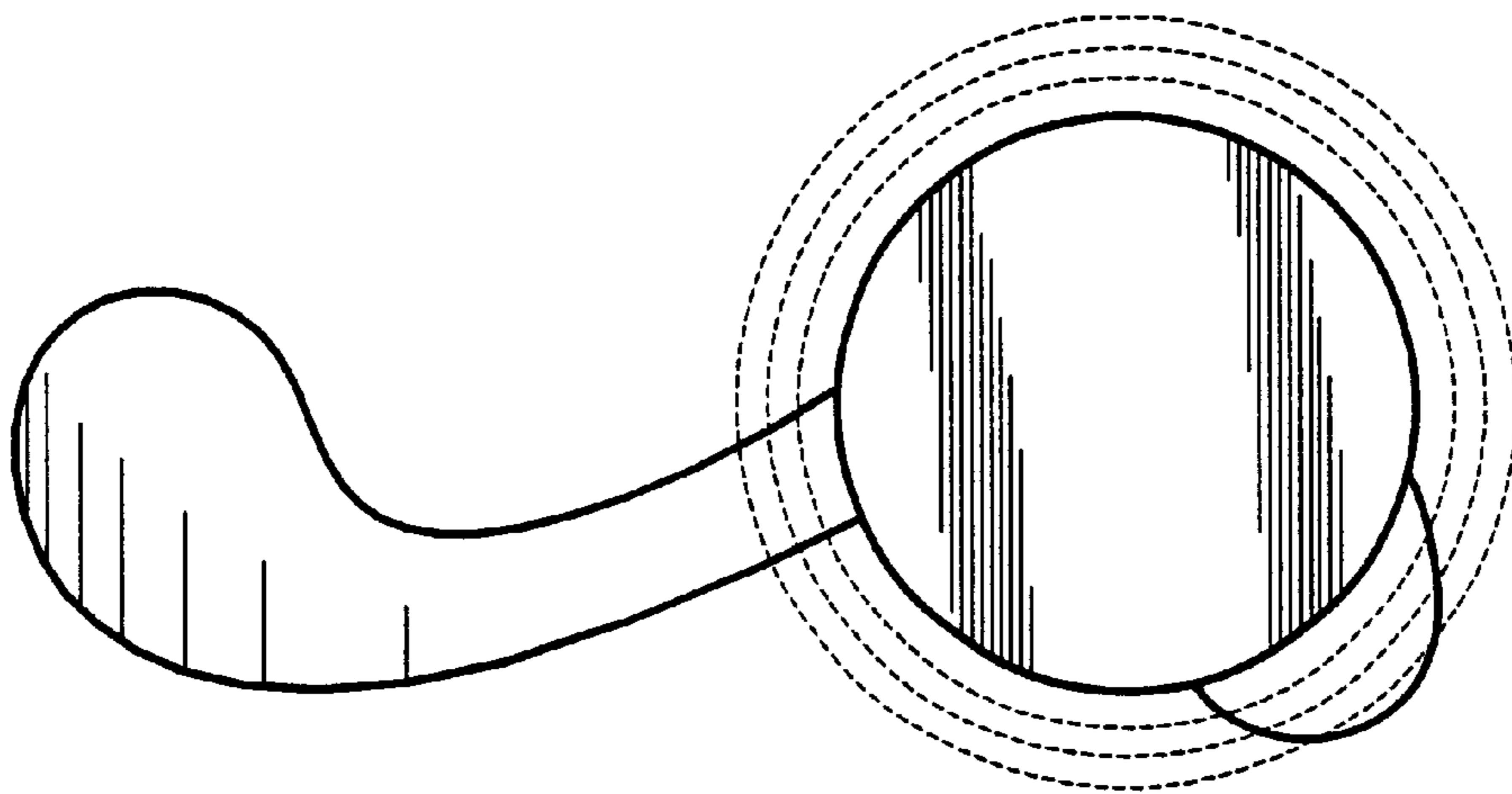


Figure - 8