



US00D444850S

(12) **United States Design Patent**
Fleischmann

(10) **Patent No.:** **US D444,850 S**

(45) **Date of Patent:** **** Jul. 10, 2001**

(54) **FAUCET**

(75) **Inventor:** **Klaus Fleischmann, Krefeld (DE)**

(73) **Assignee:** **Hansa Metallwerke AG (DE)**

(**) **Term:** **14 Years**

(21) **Appl. No.:** **29/097,057**

(22) **Filed:** **Nov. 27, 1998**

Related U.S. Application Data

(62) Division of application No. 29/068,925, filed on Apr. 10, 1997, now Pat. No. Des. 411,283.

(30) **Foreign Application Priority Data**

Oct. 10, 1996 (DE) M 96 08 776

(51) **LOC (7) Cl.** **23-01**

(52) **U.S. Cl.** **D23/238**

(58) **Field of Search** D23/238-243,
D23/250-257; 4/675-678; 137/801

(56) **References Cited**

U.S. PATENT DOCUMENTS

D. 293,816 * 1/1988 Bergmann et al. D23/238

D. 352,991 * 11/1994 Kohler, Jr. D23/238

D. 353,441 * 12/1994 Haug et al. D23/238

D. 359,796 * 6/1995 Formgren D23/241

D. 365,624 * 12/1995 Gottwald D23/238

D. 372,518 * 8/1996 Gottwald D23/238

D. 378,774 * 4/1997 Kergoet D23/238

OTHER PUBLICATIONS

Jacob Delafon Catalog, France, 1988, p. 203, item No. 71539.10.*

Kohler Plumbing Products, K-500, 1994, p. 2-66, item K-15182.*

* cited by examiner

Primary Examiner—Eric Watterson

(57) **CLAIM**

I claim the ornamental design for a faucet, as shown and described.

DESCRIPTION

FIG. 1 is a right side elevation of a faucet showing my new design.

FIG. 2 is a front view thereof.

FIG. 3 is a rear view thereof.

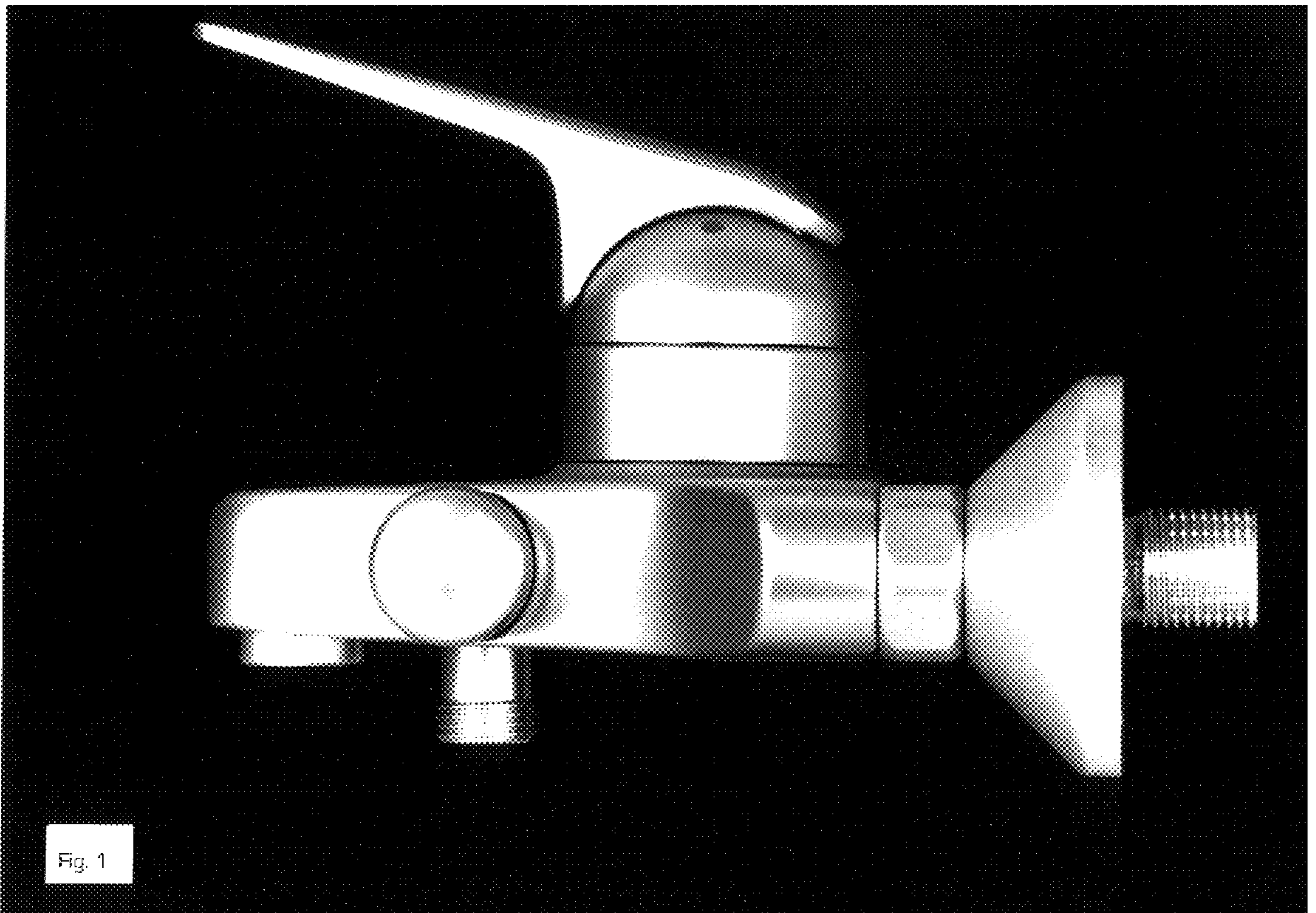
FIG. 4 is a top view thereof.

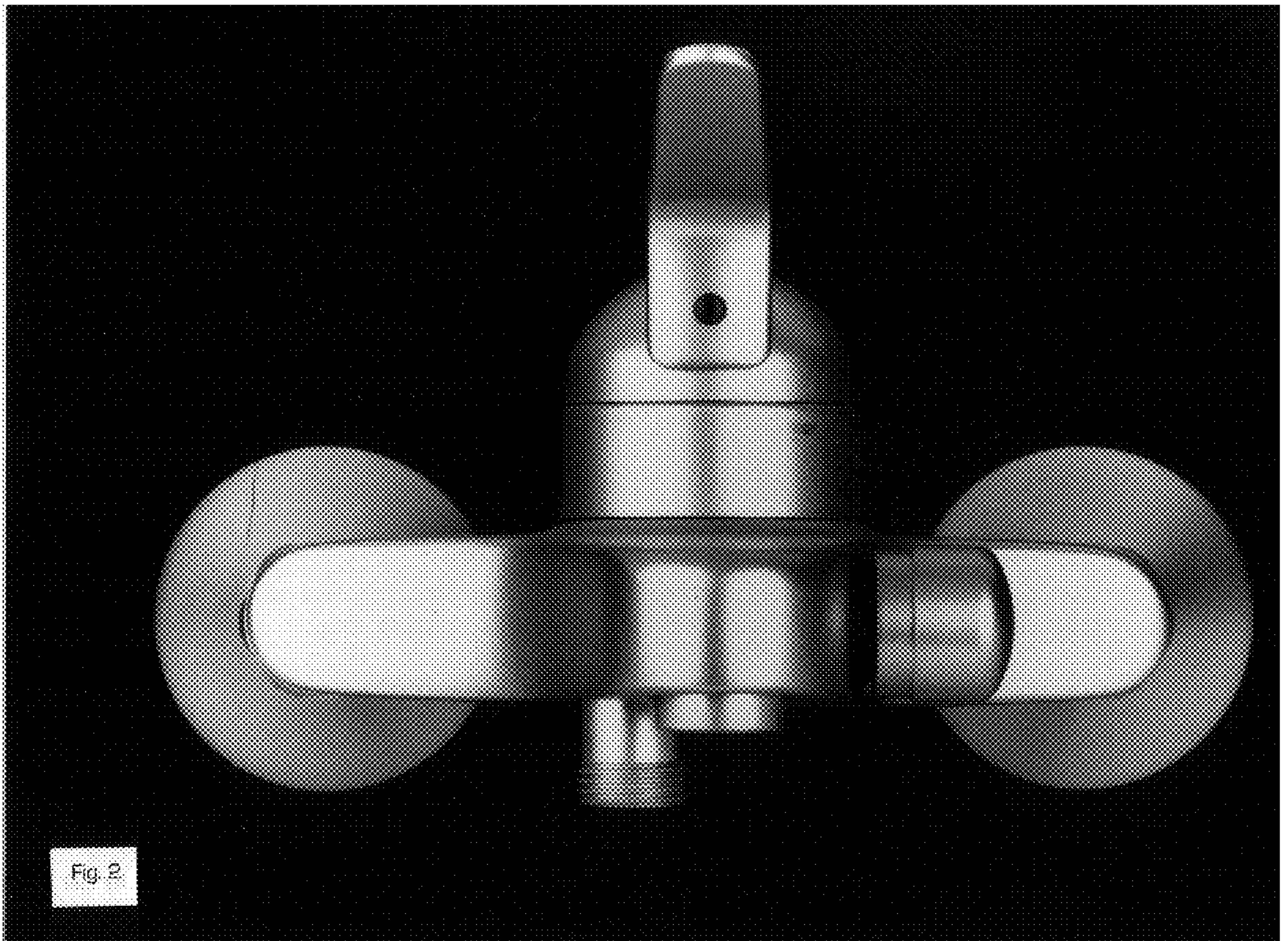
FIG. 5 is a bottom view thereof; and,

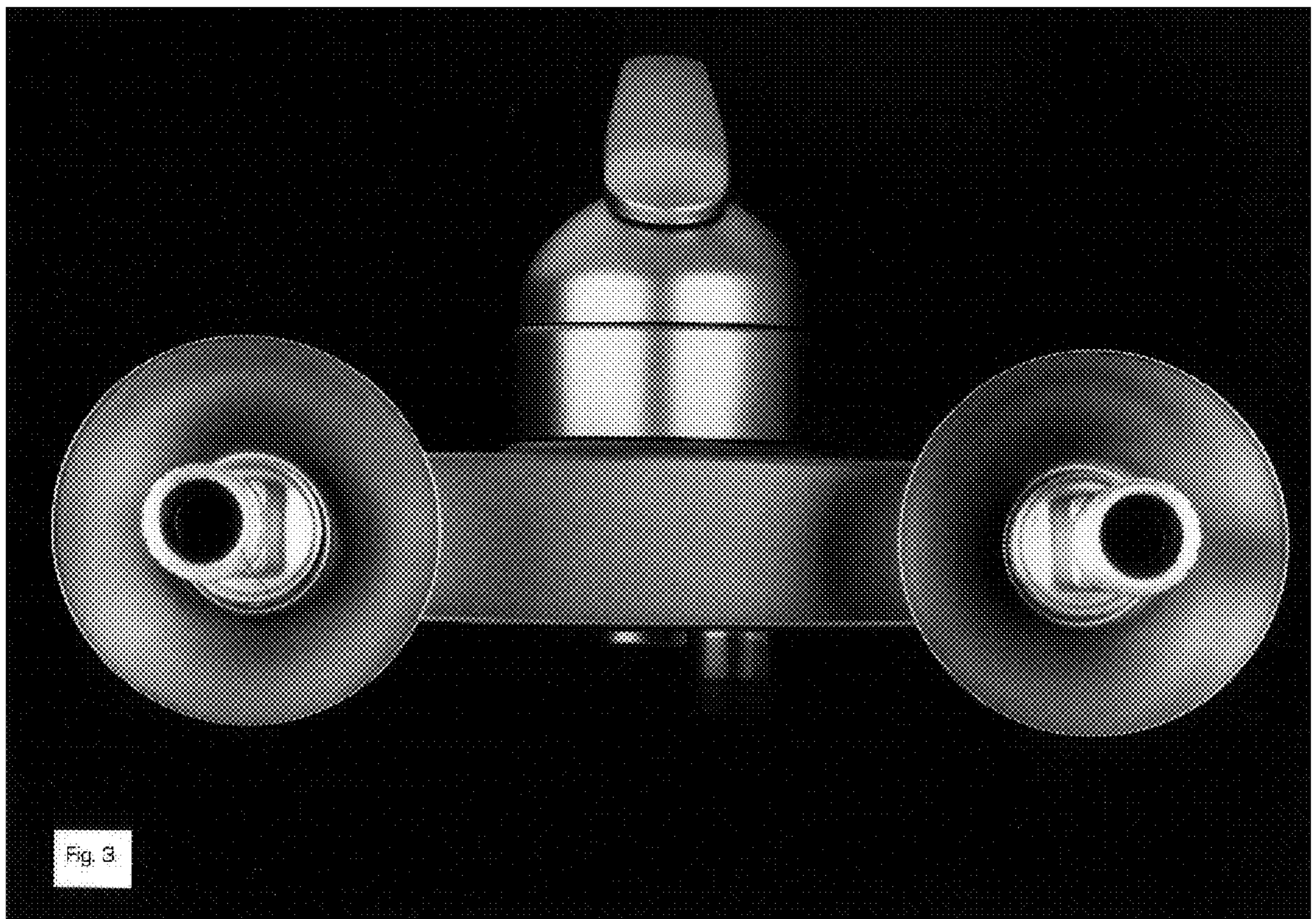
FIG. 6 is a perspective view thereof.

1 Claim, 6 Drawing Sheets









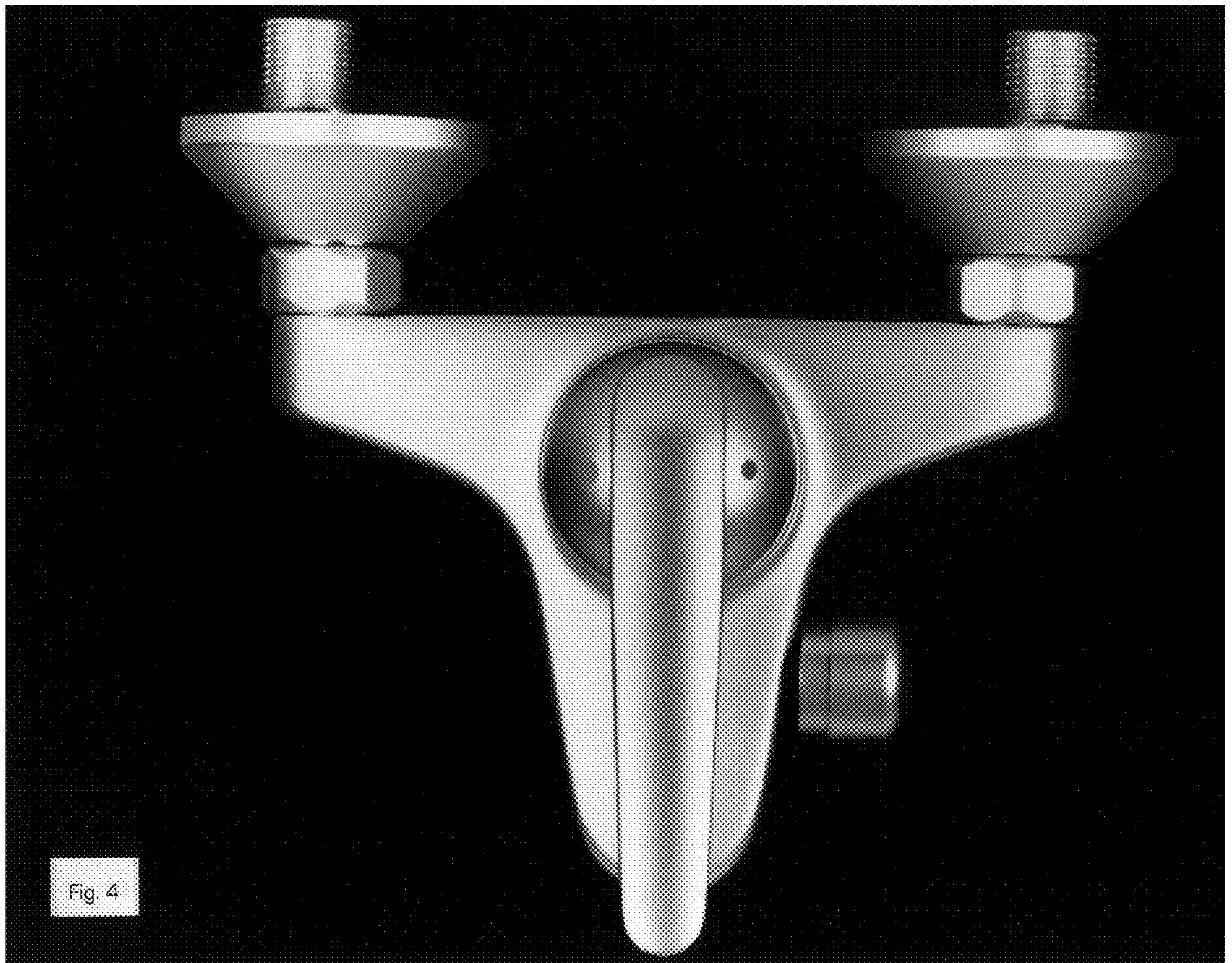




Fig 5

