



US00D444849S

(12) **United States Design Patent**
Hsiao

(10) **Patent No.:** **US D444,849 S**

(45) **Date of Patent:** **** Jul. 10, 2001**

(54) **SHOWER HEAD**

(75) Inventor: **Jen-Yu Hsiao**, Taichung (TW)

(73) Assignee: **Globe Union Industrial Corp.** (TW)

(**) Term: **14 Years**

(21) Appl. No.: **29/130,612**

(22) Filed: **Oct. 5, 2000**

(51) **LOC (7) Cl.** **23-01**

(52) **U.S. Cl.** **D23/223**

(58) **Field of Search** D23/213, 223;
239/460, 394

(56) **References Cited**

U.S. PATENT DOCUMENTS

- D. 289,545 * 4/1987 Koch D23/223
- D. 411,606 * 6/1999 Ouyoung D23/223
- D. 411,875 * 7/1999 Lord D23/213
- D. 416,979 * 11/1999 Bosio D23/223

D. 422,337 * 4/2000 Chan D23/223

* cited by examiner

Primary Examiner—Robin V. Taylor

(74) *Attorney, Agent, or Firm*—Akin, Gump, Strauss, Hauer & Feld, L.L.P.

(57) **CLAIM**

The ornamental design for a shower head, as shown and described.

DESCRIPTION

FIG. 1 is a perspective view of a shower head in accordance with my new design;

FIG. 2 is a front elevational view thereof;

FIG. 3 is a rear elevational view thereof;

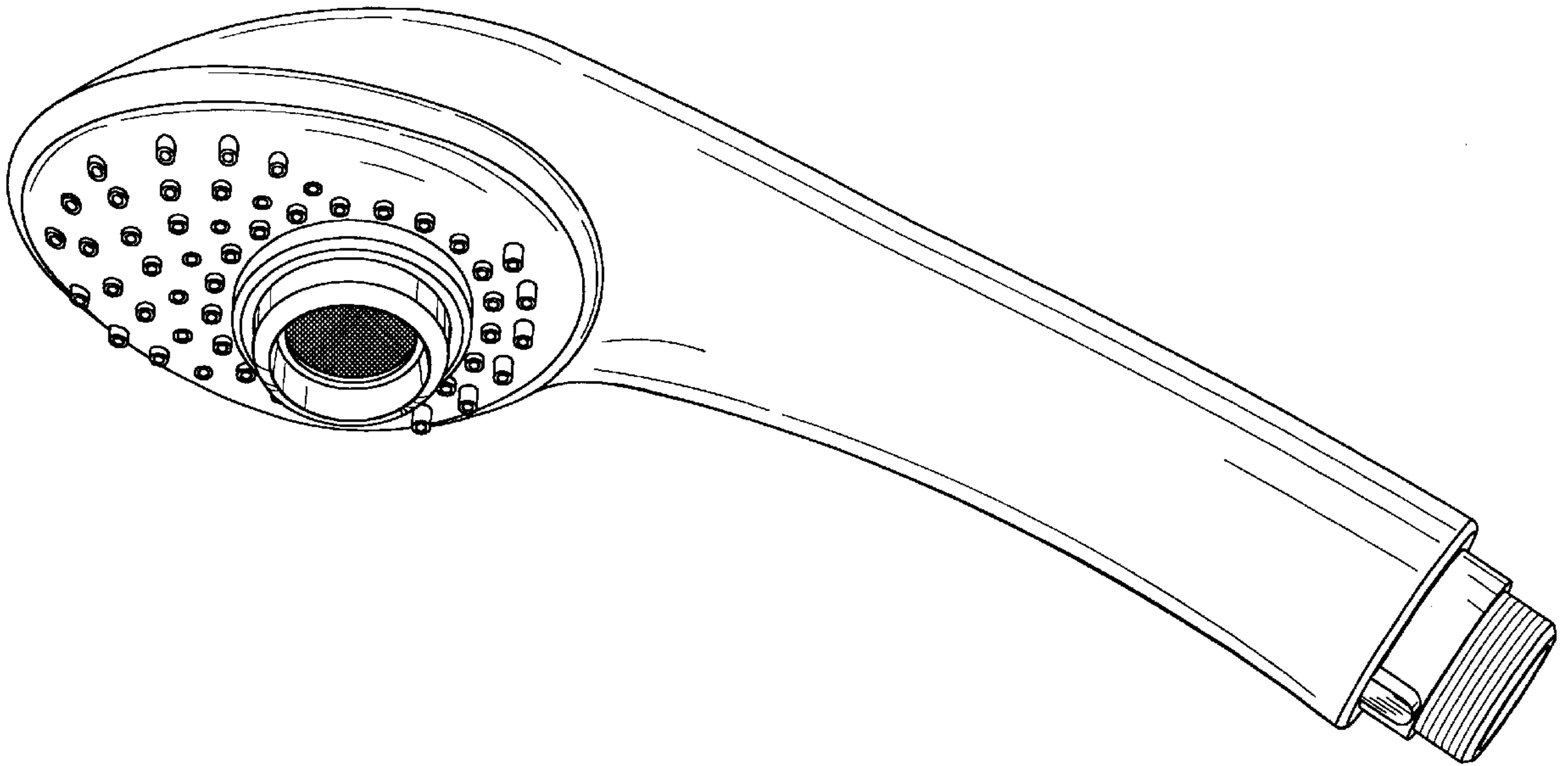
FIG. 4 is a left side elevational view thereof;

FIG. 5 is a right side elevational view thereof;

FIG. 6 is a top plan view thereof; and,

FIG. 7 is a bottom plan view thereof.

1 Claim, 4 Drawing Sheets



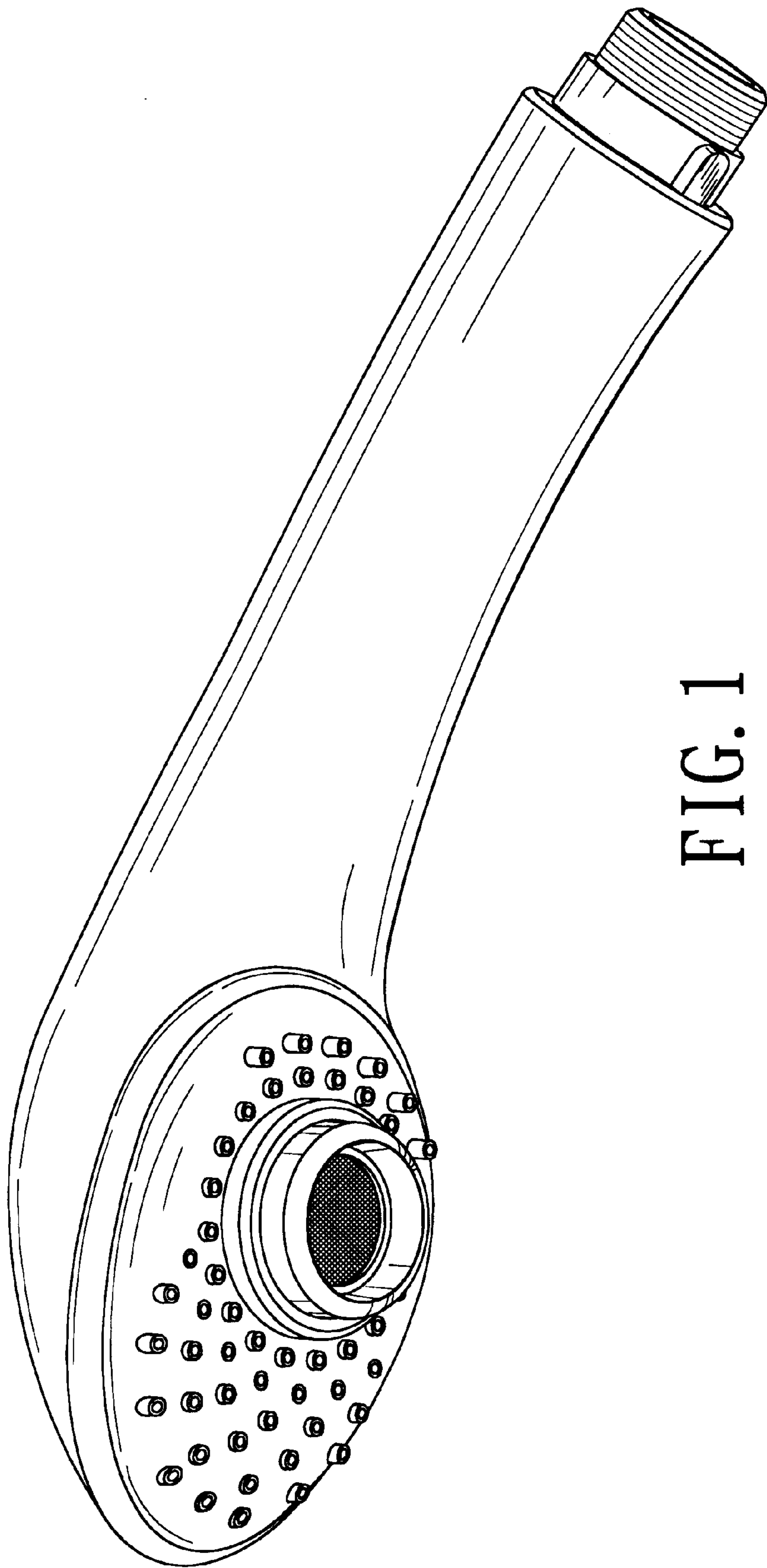


FIG. 1



FIG. 2



FIG. 3

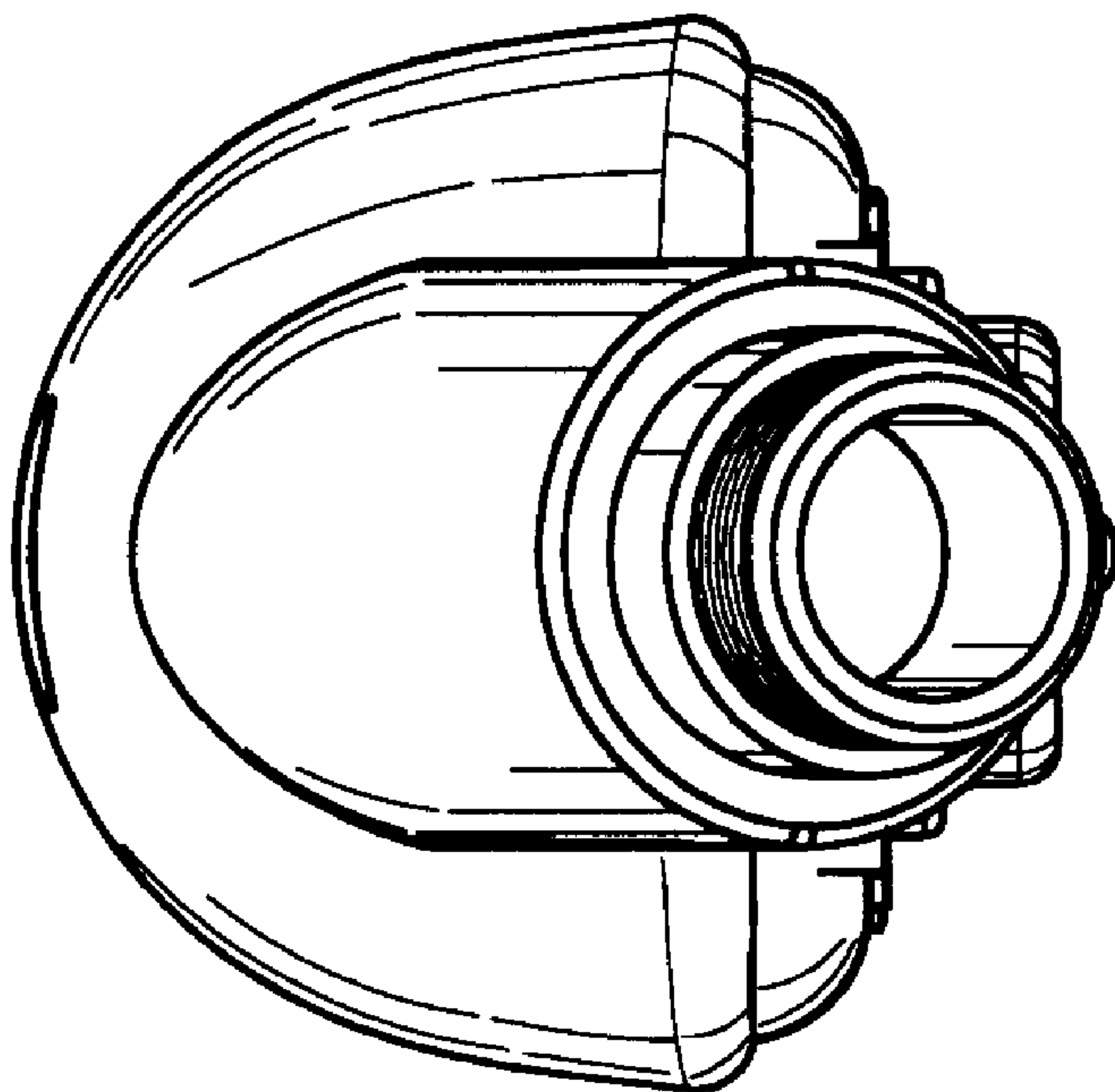


FIG. 5

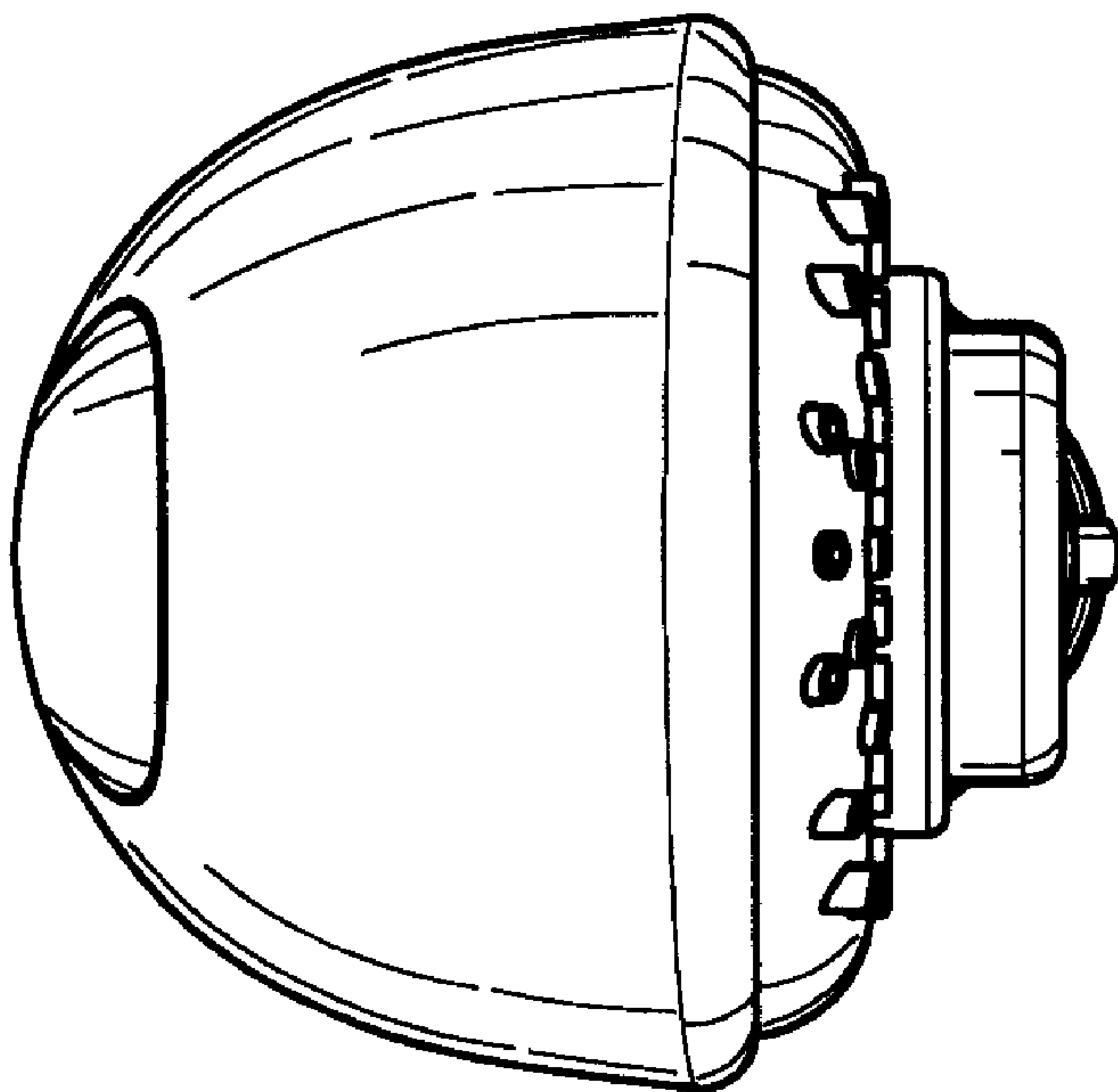


FIG. 4

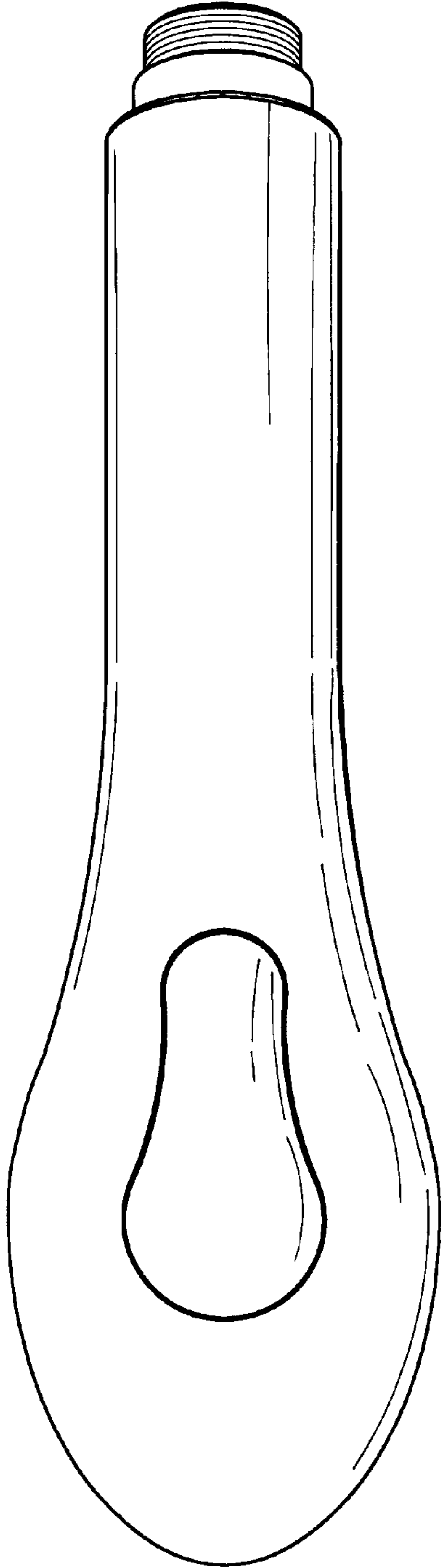


FIG. 6

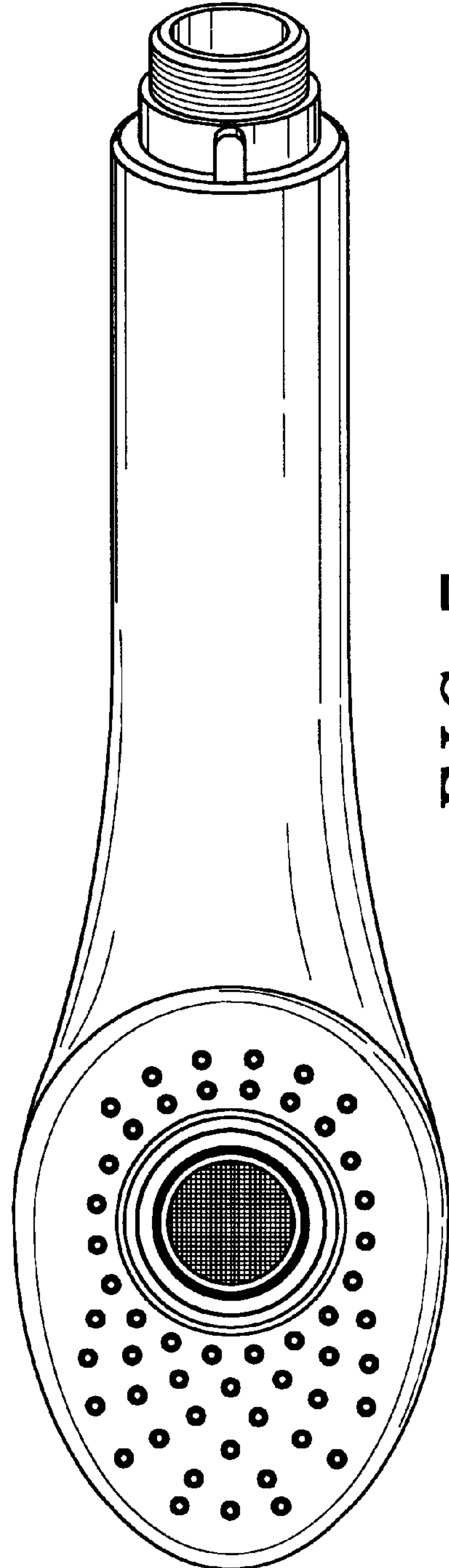


FIG. 7