



US00D444843S

(12) **United States Design Patent**
Hilgers et al.

(10) **Patent No.:** **US D444,843 S**

(45) **Date of Patent:** **** Jul. 10, 2001**

(54) **CARAFE FOR WATER DISTILLER**

(75) Inventors: **Christopher D. Hilgers**, Eagan;
Christine Fletcher, Elk River, both of
MN (US)

(73) Assignee: **Ecowater Systems, Inc.**, St. Paul, MN
(US)

(**) Term: **14 Years**

(21) Appl. No.: **29/126,414**

(22) Filed: **Jul. 14, 2000**

(51) **LOC (7) Cl.** **23-01**

(52) **U.S. Cl.** **D23/207; D7/319**

(58) **Field of Search** D23/200, 207,
D23/209; 202/81, 83, 185.2; D7/311, 316-318,
312, 319

(56) **References Cited**

U.S. PATENT DOCUMENTS

D. 416,163 * 11/1999 Doritty et al. D7/319

D. 420,425 * 2/2000 Micoley et al. D23/207
D. 430,449 * 9/2000 Yeh D7/319
5,217,580 * 6/1993 Chen 202/185.2
6,009,238 * 12/1999 Belongia 202/83

* cited by examiner

Primary Examiner—Robin V. Taylor

(74) *Attorney, Agent, or Firm*—Piper Marbury Rudnick &
Wolfe

(57) **CLAIM**

The ornamental design for a carafe of water distiller, as
shown and described.

DESCRIPTION

FIG. 1 is a perspective view of the design;
FIG. 2 is a right side elevational view of the design, the
opposite side of which is an identical mirror image;
FIG. 3 is a front elevational view of the design;
FIG. 4 is a rear elevational view of the design;
FIG. 5 is a top plan view of the design; and,
FIG. 6 is a bottom plan view of the design.

1 Claim, 3 Drawing Sheets

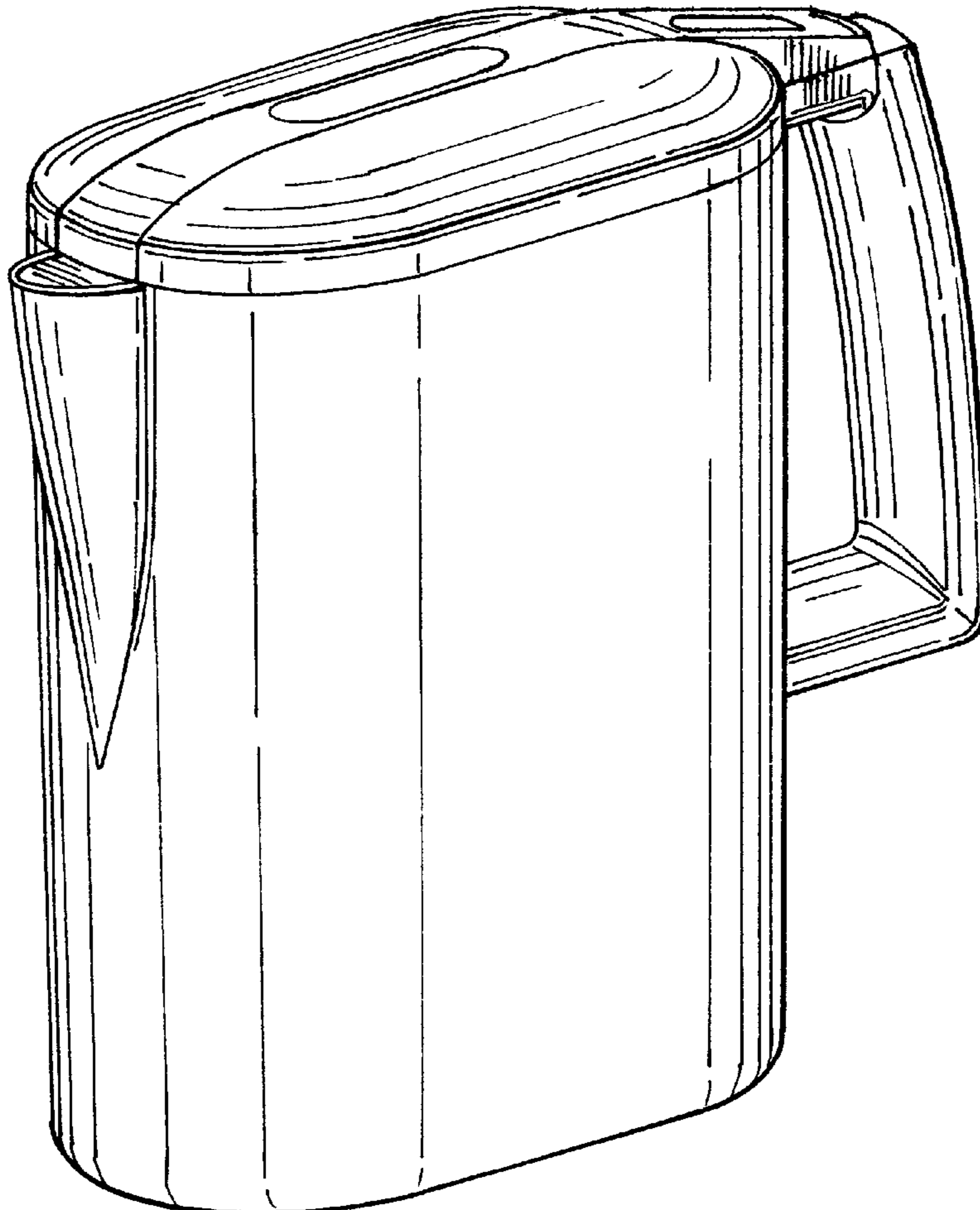


FIG. 2

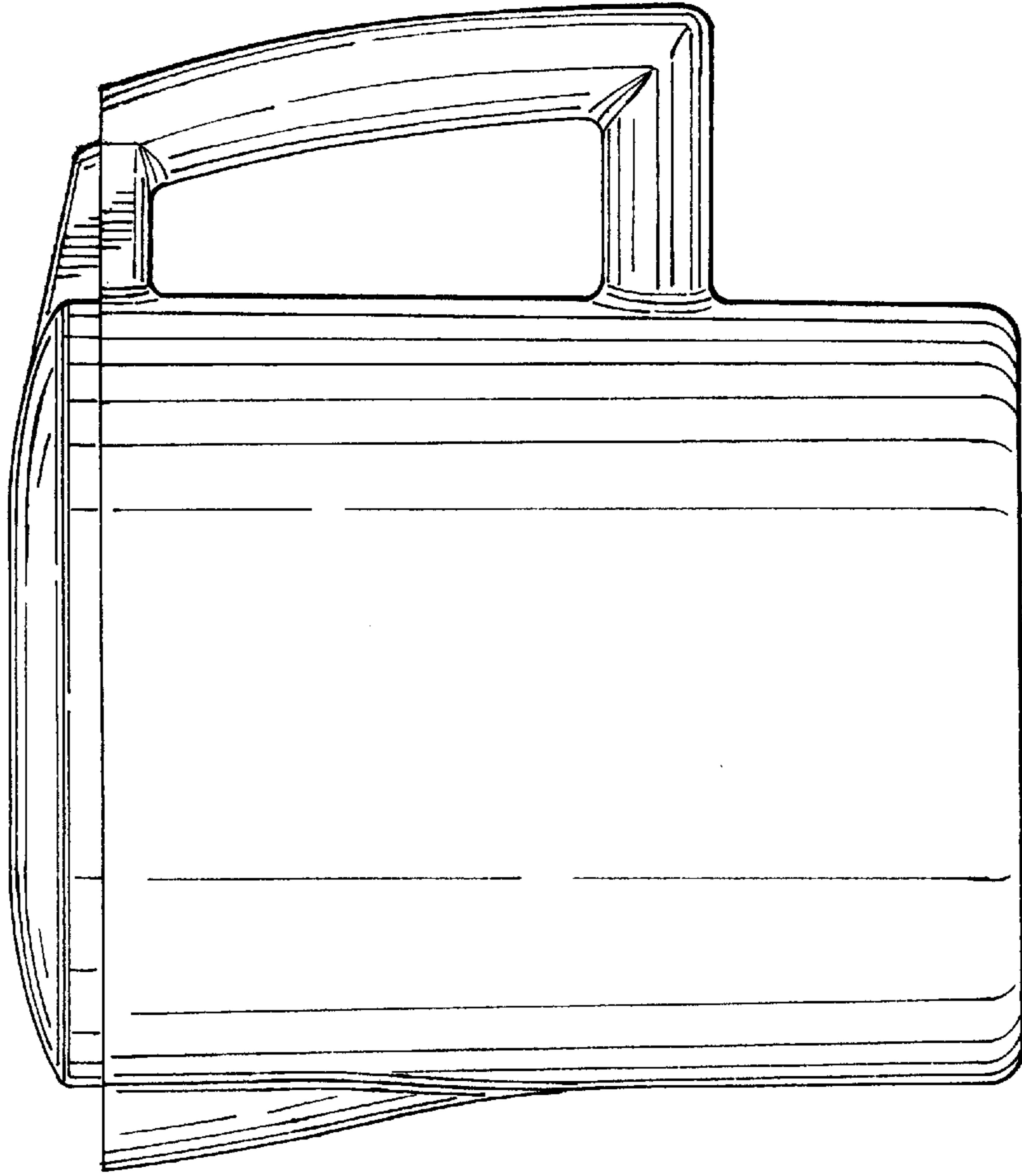


FIG. 1

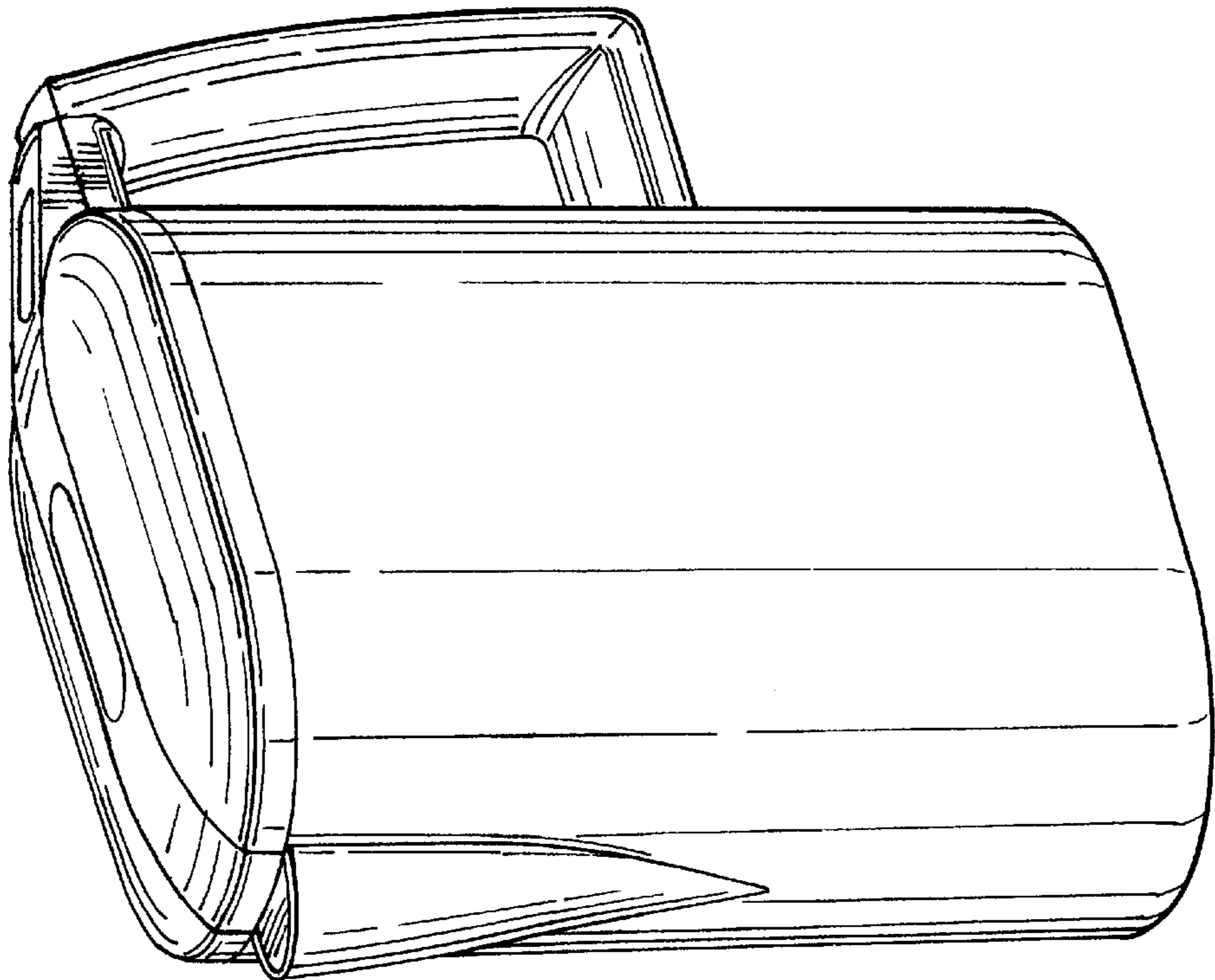


FIG. 4

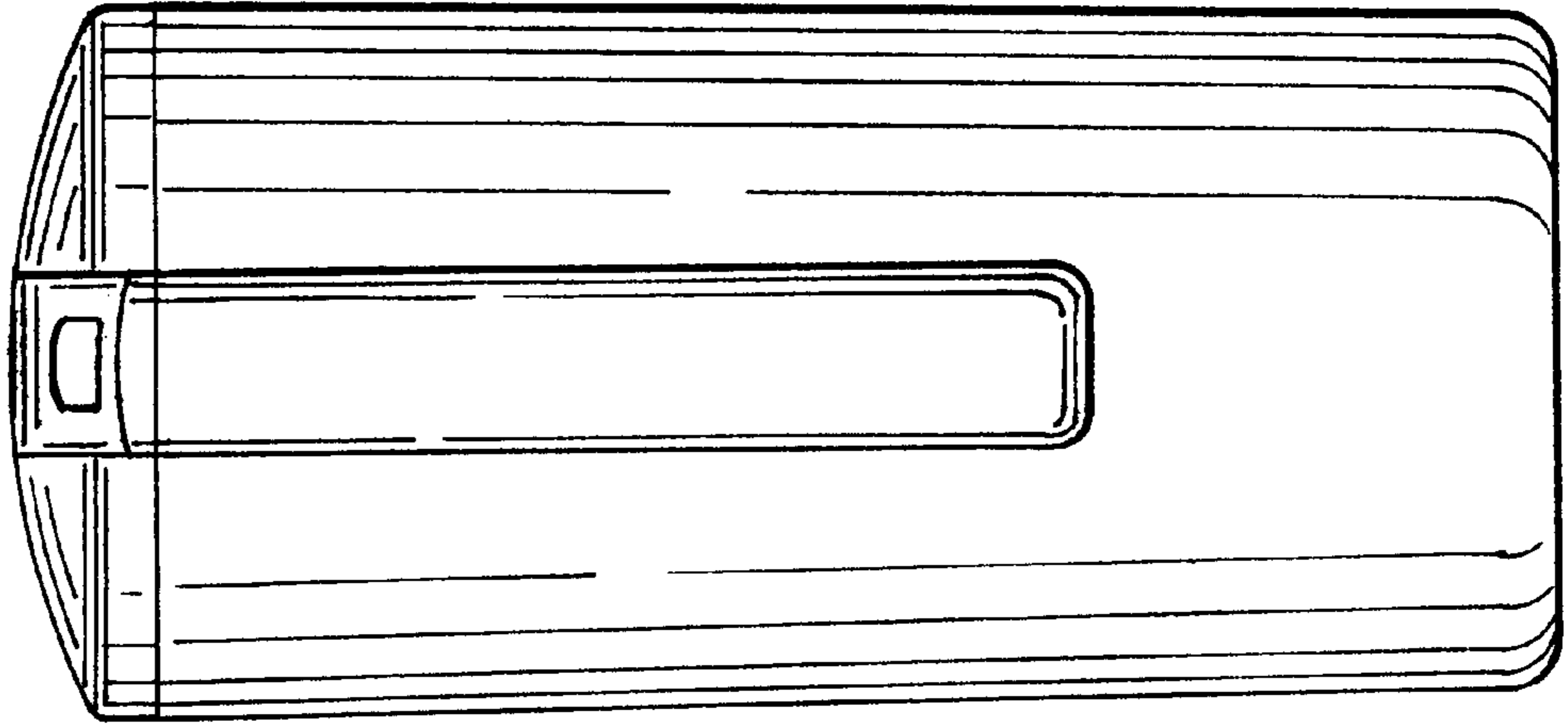


FIG. 3

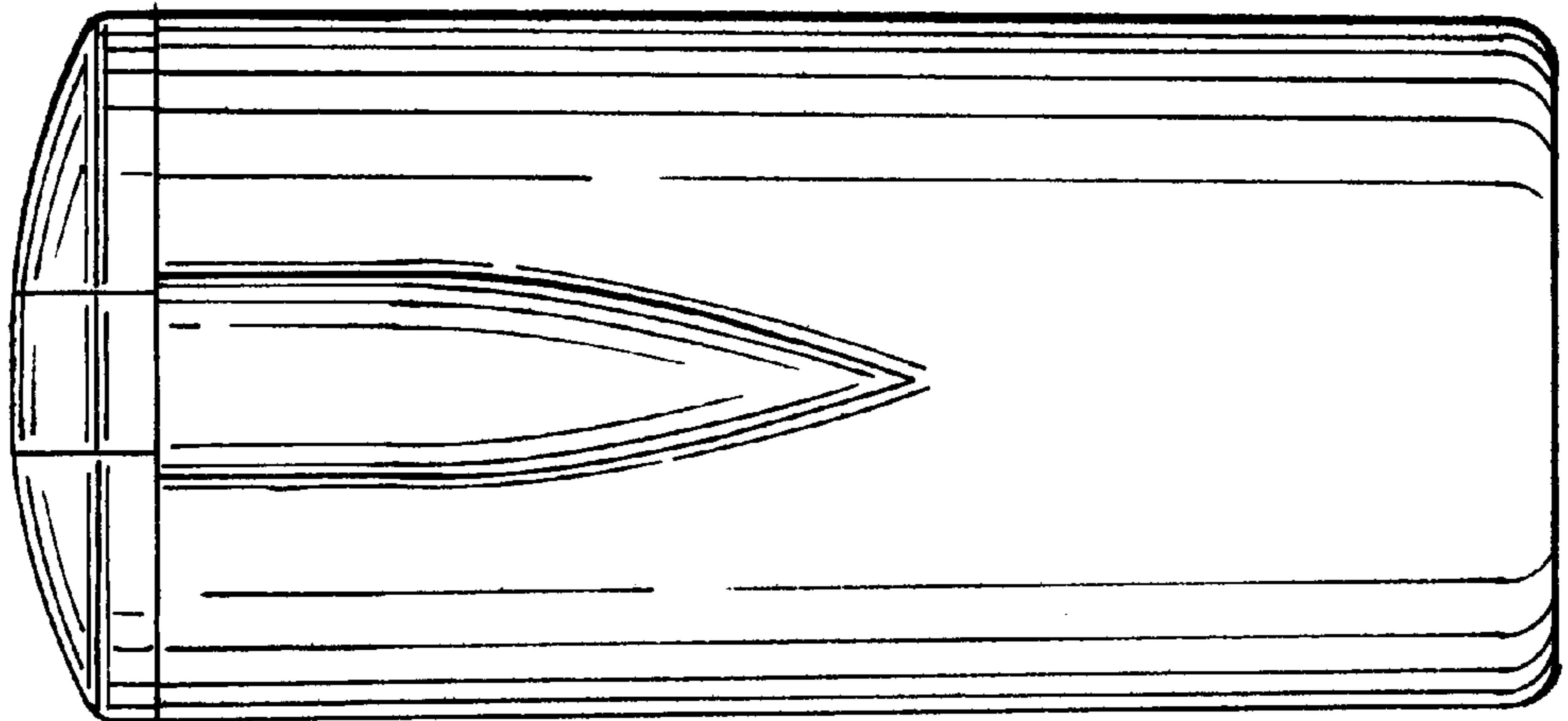


FIG. 5

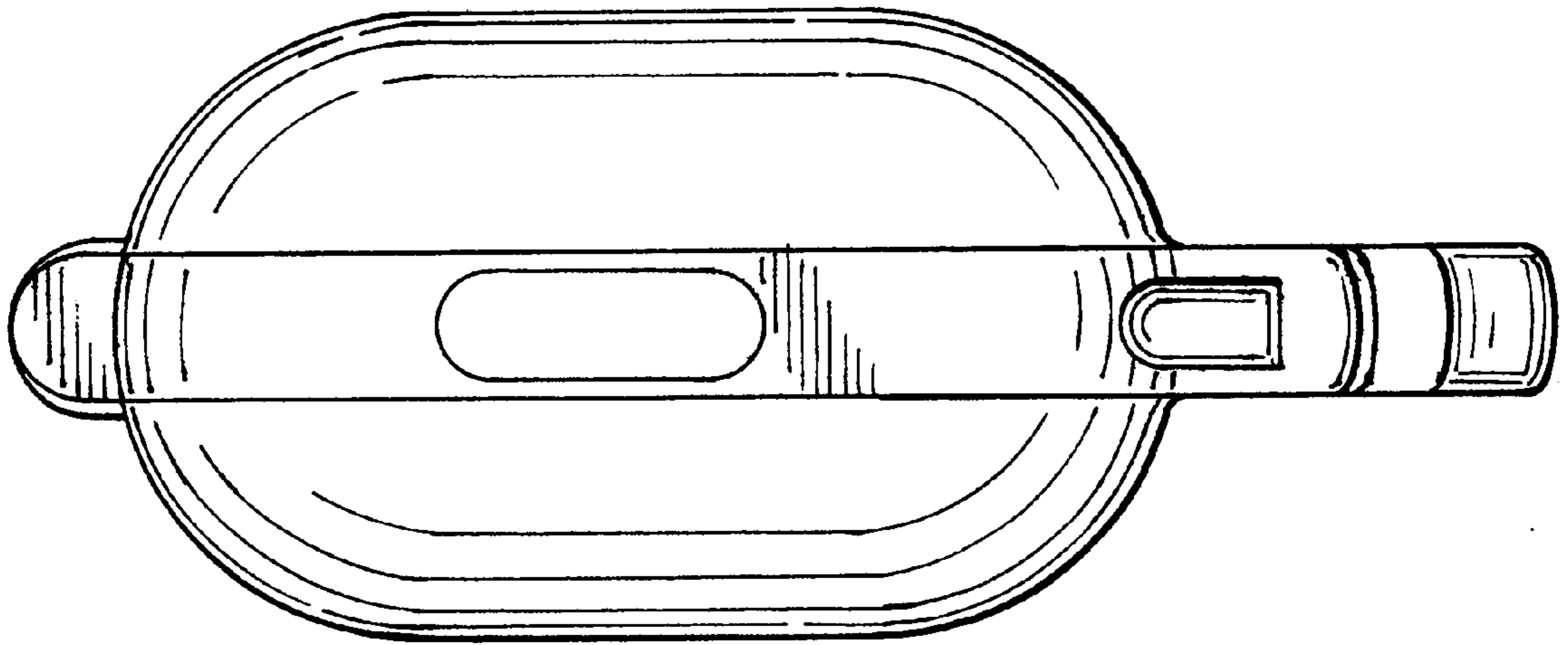


FIG. 6

