



US00D444842S

(12) **United States Design Patent**
Adamson

(10) **Patent No.:** **US D444,842 S**

(45) **Date of Patent:** **** Jul. 10, 2001**

(54) **DRAINAGE PANEL**

(76) **Inventor:** **Karl Adamson**, 10295 Robin Ave.,
Grass Valley, CA (US) 95945

(**) **Term:** **14 Years**

(21) **Appl. No.:** **29/113,223**

(22) **Filed:** **Nov. 1, 1999**

(51) **LOC (7) Cl.** **08-99**

(52) **U.S. Cl.** **D23/200**

(58) **Field of Search** D23/260, 261,
D23/267, 308, 200; D7/667; D25/36, 53,
113; D32/56; 52/169.1, 169.5, 302.1; 405/43,
44, 45, 49

(56) **References Cited**

U.S. PATENT DOCUMENTS

- 4,943,185 * 7/1990 McGuckin et al. 405/45
- 5,820,296 * 10/1998 Goughnour 405/43
- 5,911,540 * 6/1999 Adamson 405/43

* cited by examiner

Primary Examiner—Alan P. Douglas

Assistant Examiner—Clare E. Heflin

(74) *Attorney, Agent, or Firm*—Theodore J. Bielen, Jr.

(57) **CLAIM**

The ornamental design for a drainage panel, as shown and described.

DESCRIPTION

FIG. 1 is a front elevational view of the drainage panel showing my new design, the rear view being identical thereto;

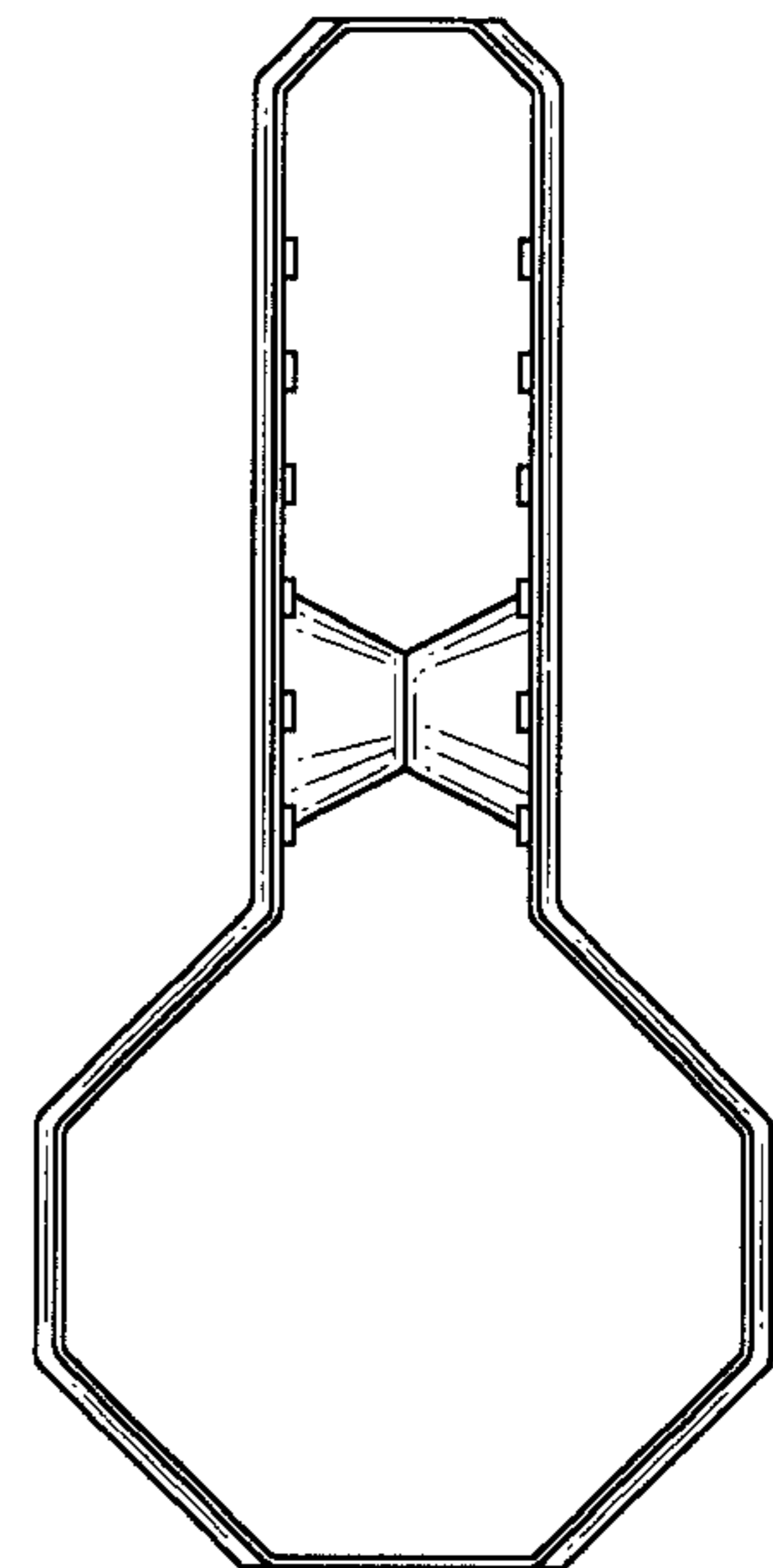
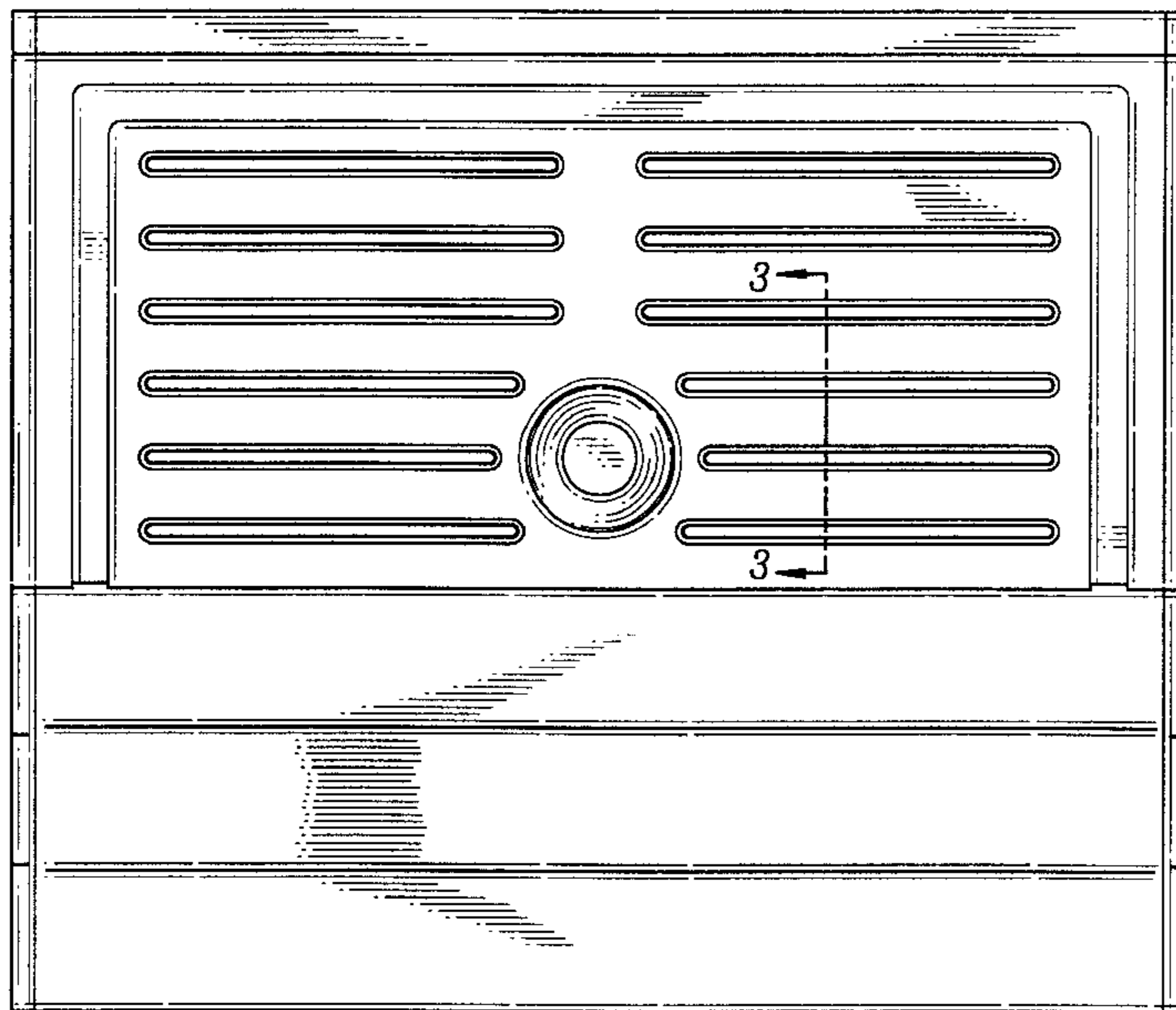
FIG. 2 is a right side elevational view, the left side elevational view being identical thereof;

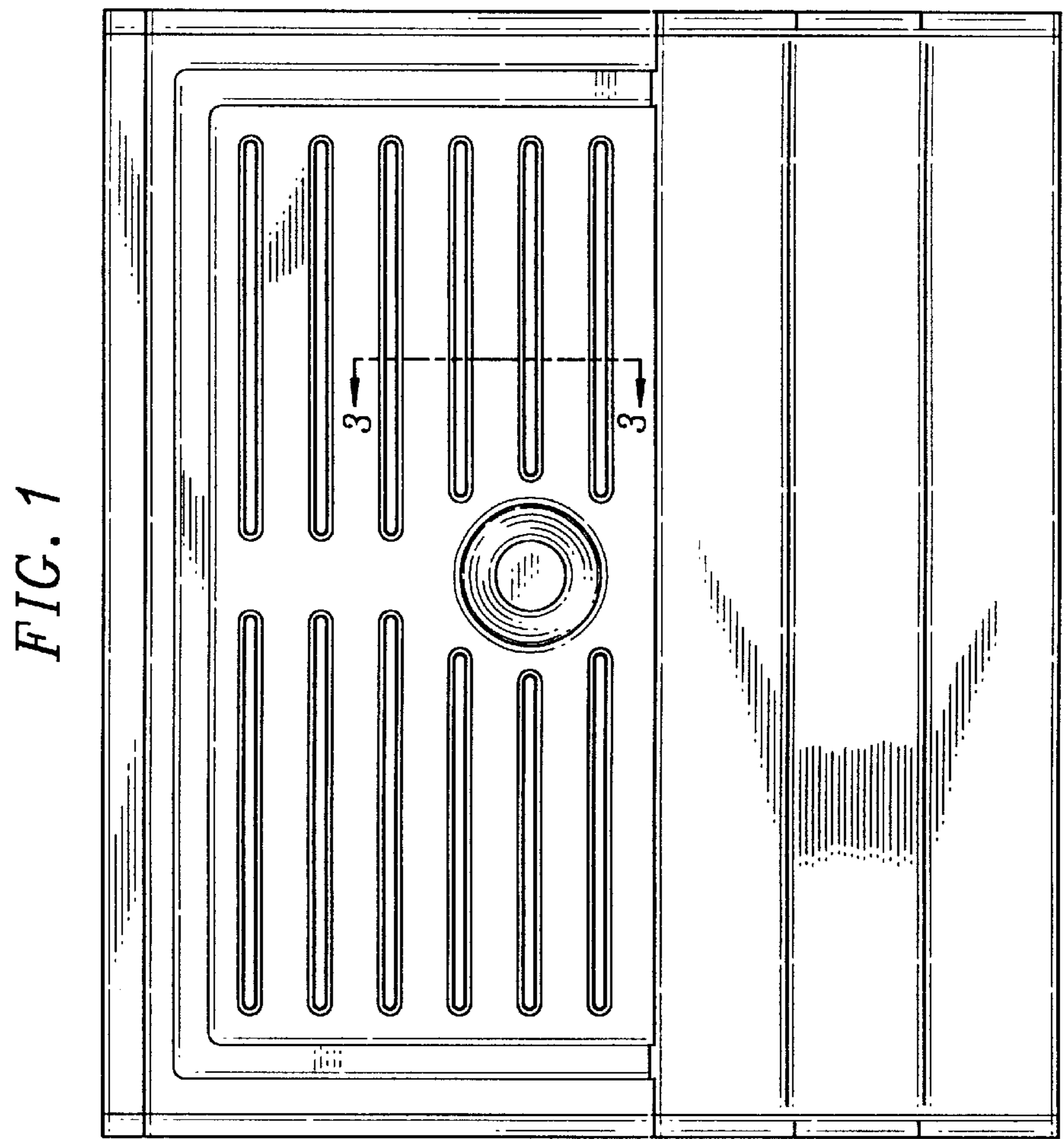
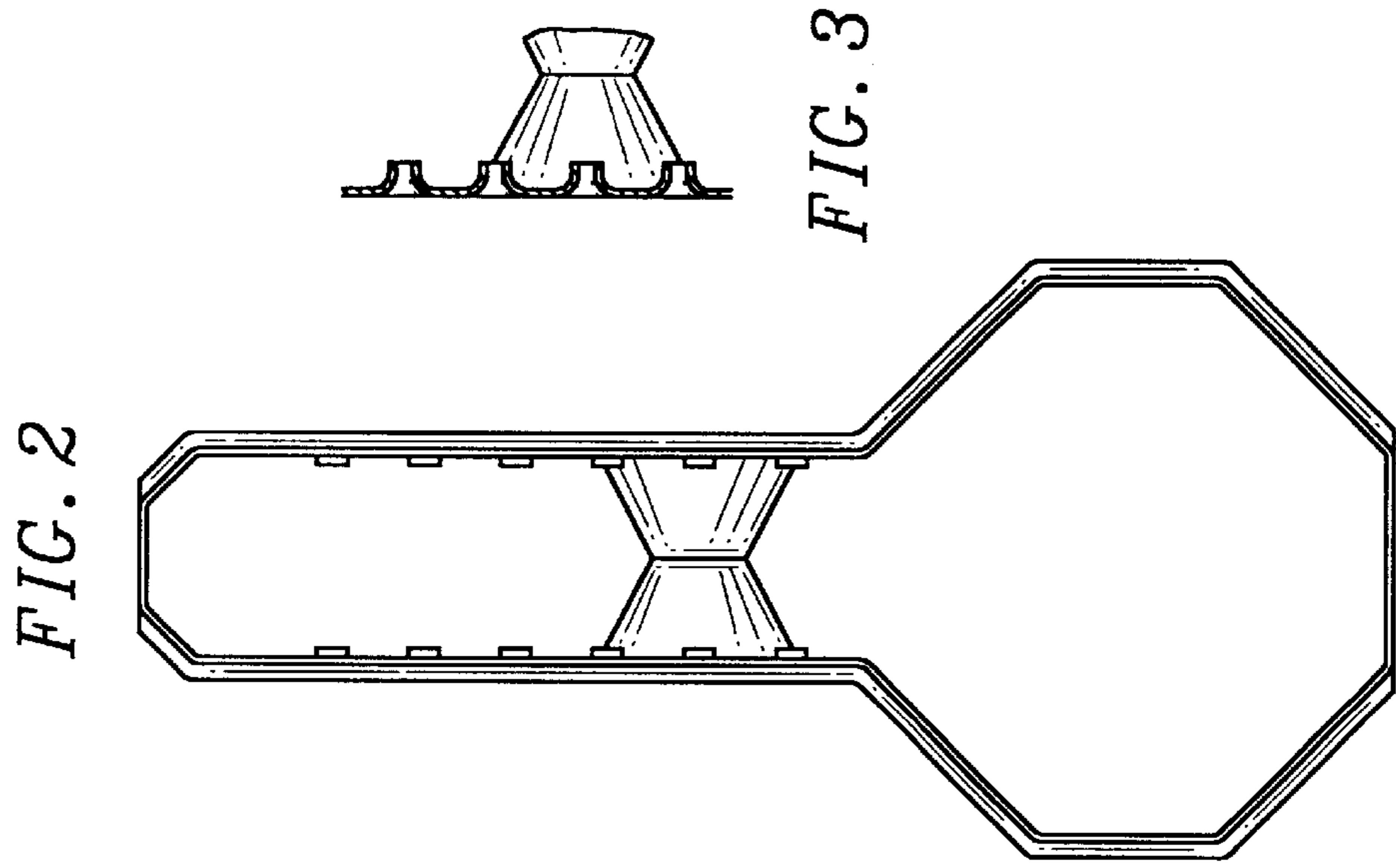
FIG. 3 is a fragmentary sectional view of an interior portion, taken along line 3—3 of FIG. 1;

FIG. 4 is a bottom plan view; and,

FIG. 5 is a top plan view.

1 Claim, 2 Drawing Sheets





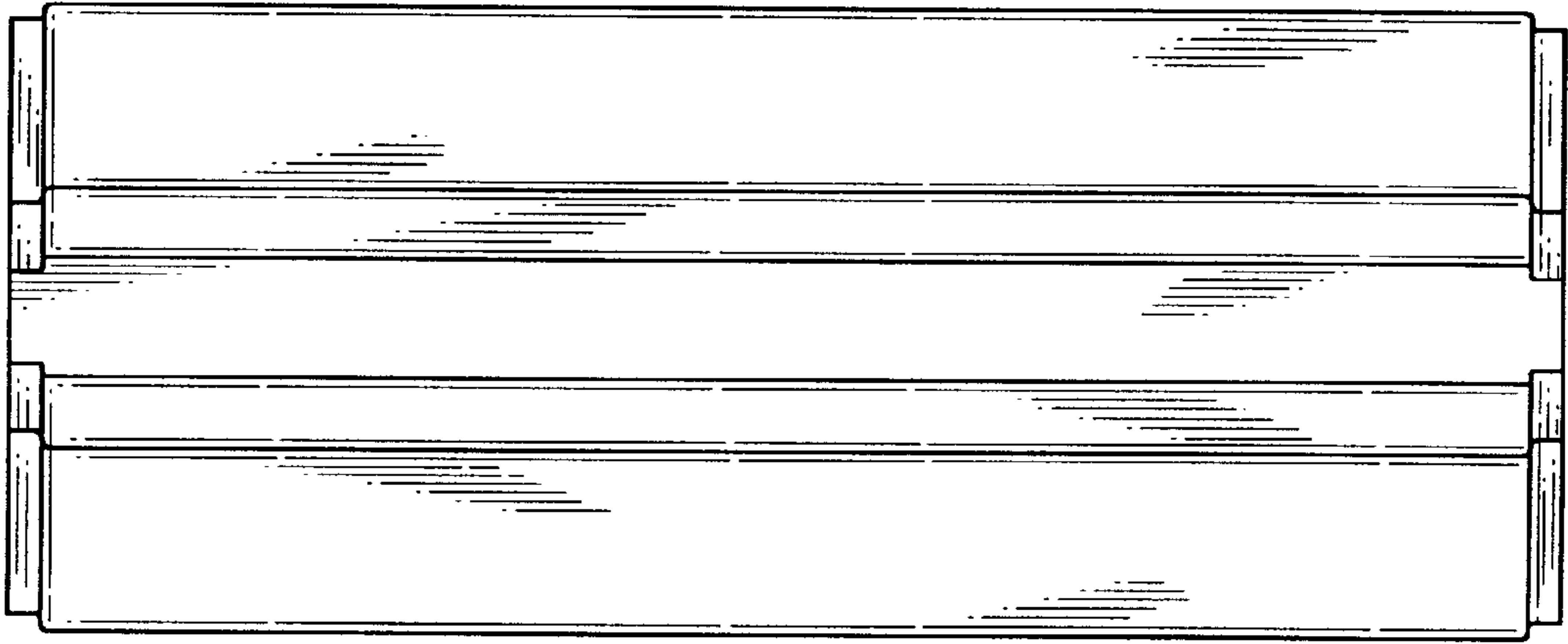


FIG. 5

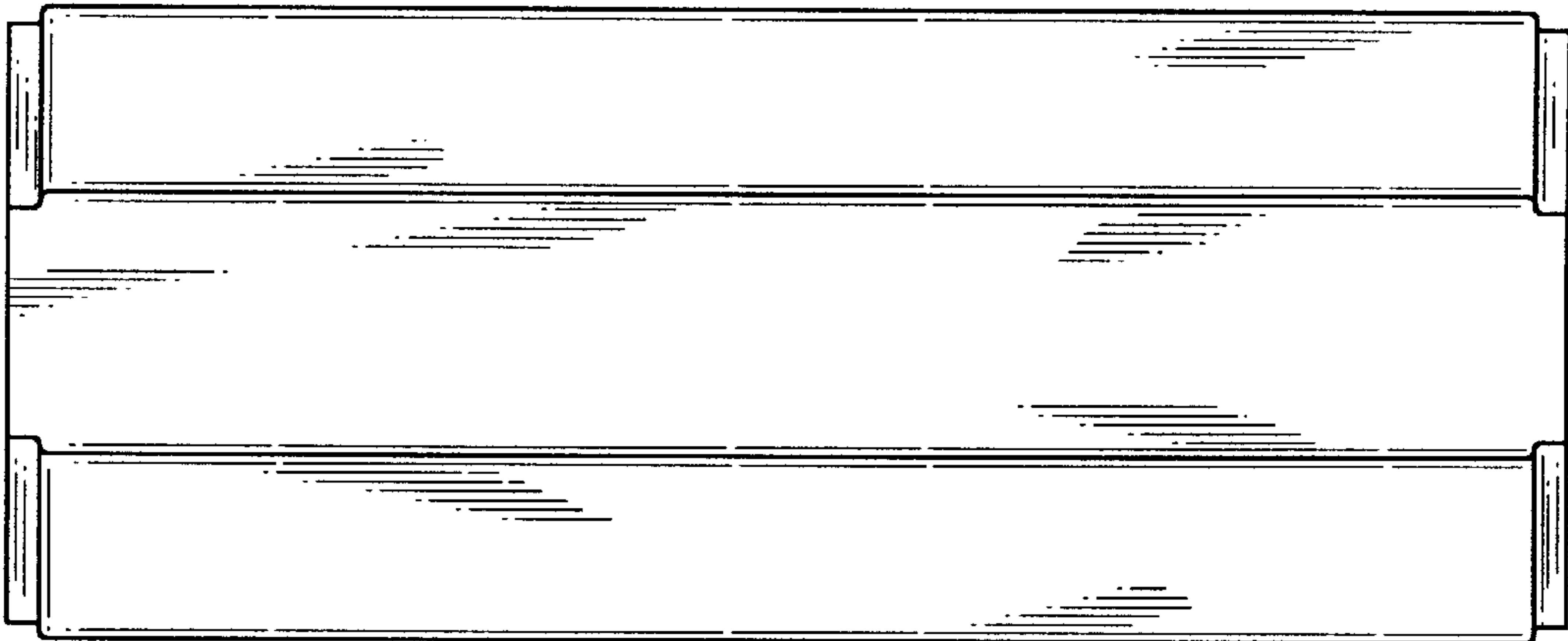


FIG. 4