



US00D444841S

(12) **United States Design Patent**
Malmanger et al.

(10) **Patent No.:** **US D444,841 S**

(45) **Date of Patent:** **** Jul. 10, 2001**

(54) **ROD HOLDER**

(75) Inventors: **John A. Malmanger**, Burien, WA (US);
Mikal B. Greaves, Mountain View, CA (US)

(73) Assignee: **Tempress Products L.L.C.**, Carrollton, TX (US)

(**) Term: **14 Years**

(21) Appl. No.: **29/126,433**

(22) Filed: **Jul. 17, 2000**

(51) **LOC (7) Cl.** **22-05**

(52) **U.S. Cl.** **D22/147**

(58) **Field of Search** D22/147, 139,
D22/134, 138, 148; 43/21.2, 15; 211/70.8;
224/922

(56) **References Cited**

U.S. PATENT DOCUMENTS

- D. 188,853 * 9/1960 Bell D22/147
- D. 348,717 * 7/1994 Ader D22/147
- 5,313,734 * 5/1994 Roberts 43/21.2
- 5,446,989 * 9/1995 Stange et al. 43/21.2

OTHER PUBLICATIONS

Cabela's Robert Gear Lock Rod Holders and Fish-On Rod Holder, Mar. 1996, p. 88.*

* cited by examiner

Primary Examiner—Louis S. Zarfes
Assistant Examiner—Catherine R. Oliver

(74) *Attorney, Agent, or Firm*—Fulbright & Jaworski L.L.P.

(57) **CLAIM**

The ornamental design for a rod holder, as shown and described.

DESCRIPTION

This application is related to concurrently filed, co-pending, and commonly assigned U.S. Patent Application Ser. No. 09/617,407, filed Jul. 17, 2000 entitled "Rod Holder," the disclosure of which is hereby incorporated herein by reference.

FIG. 1 is an isometric view of our new rod holder design from the front right where the mounting interface is shown for environmental purposes only and forms no part of the claimed design;

FIG. 2 is a right side elevation view thereof;

FIG. 3 is a top plan view thereof;

FIG. 4 is a front elevation view thereof;

FIG. 5 is a left side elevation view thereof;

FIG. 6 is a rear elevation view thereof; and

FIG. 7 is a bottom plan view thereof.

FIG. 8 is an isometric view from the front right of an alternative embodiment of our new rod holder design having a boot portion disposed at the front of the rod holder, the mounting interface is shown for environmental purposes only and forms no part of the claimed design;

FIG. 9 is a right side elevation view thereof;

FIG. 10 is a top plan view thereof;

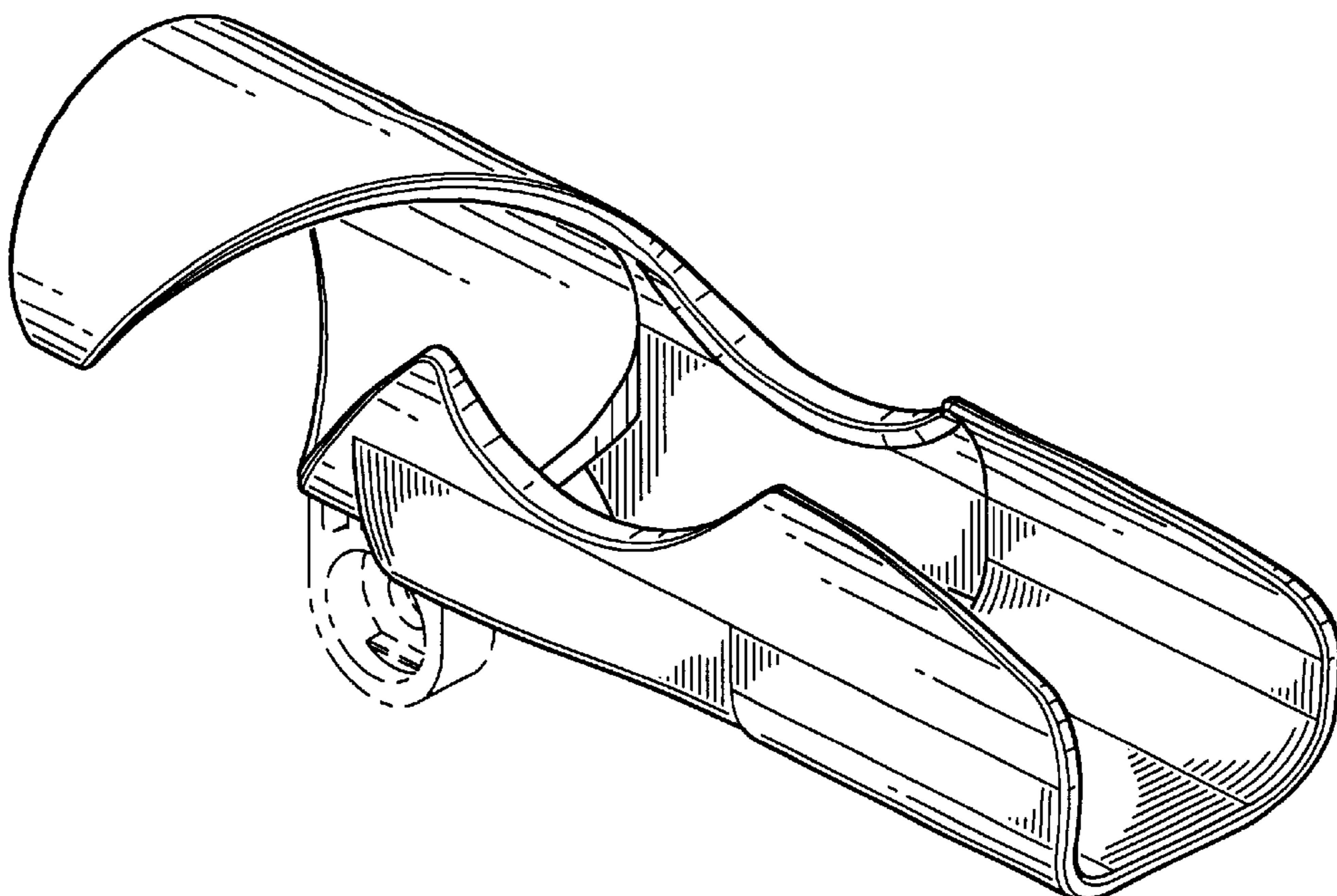
FIG. 11 is a left side elevation view thereof;

FIG. 12 is a front elevation view thereof;

FIG. 13 is a rear elevation view thereof; and,

FIG. 14 is a bottom plan view thereof.

1 Claim, 4 Drawing Sheets



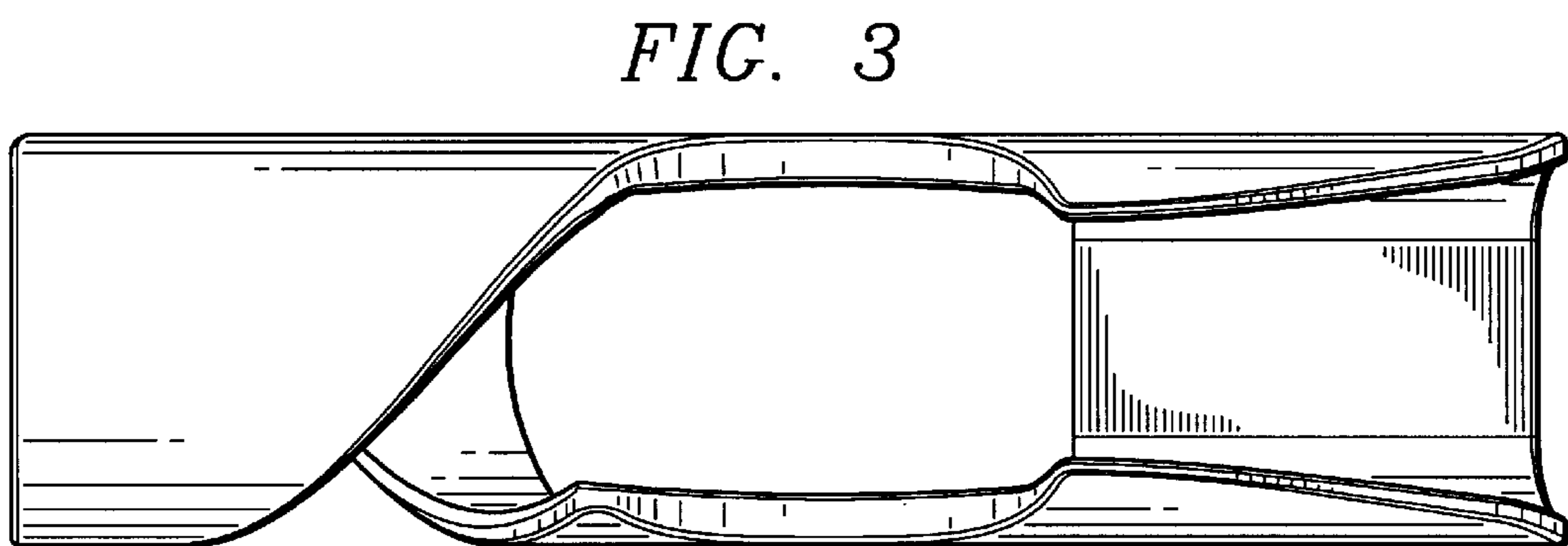
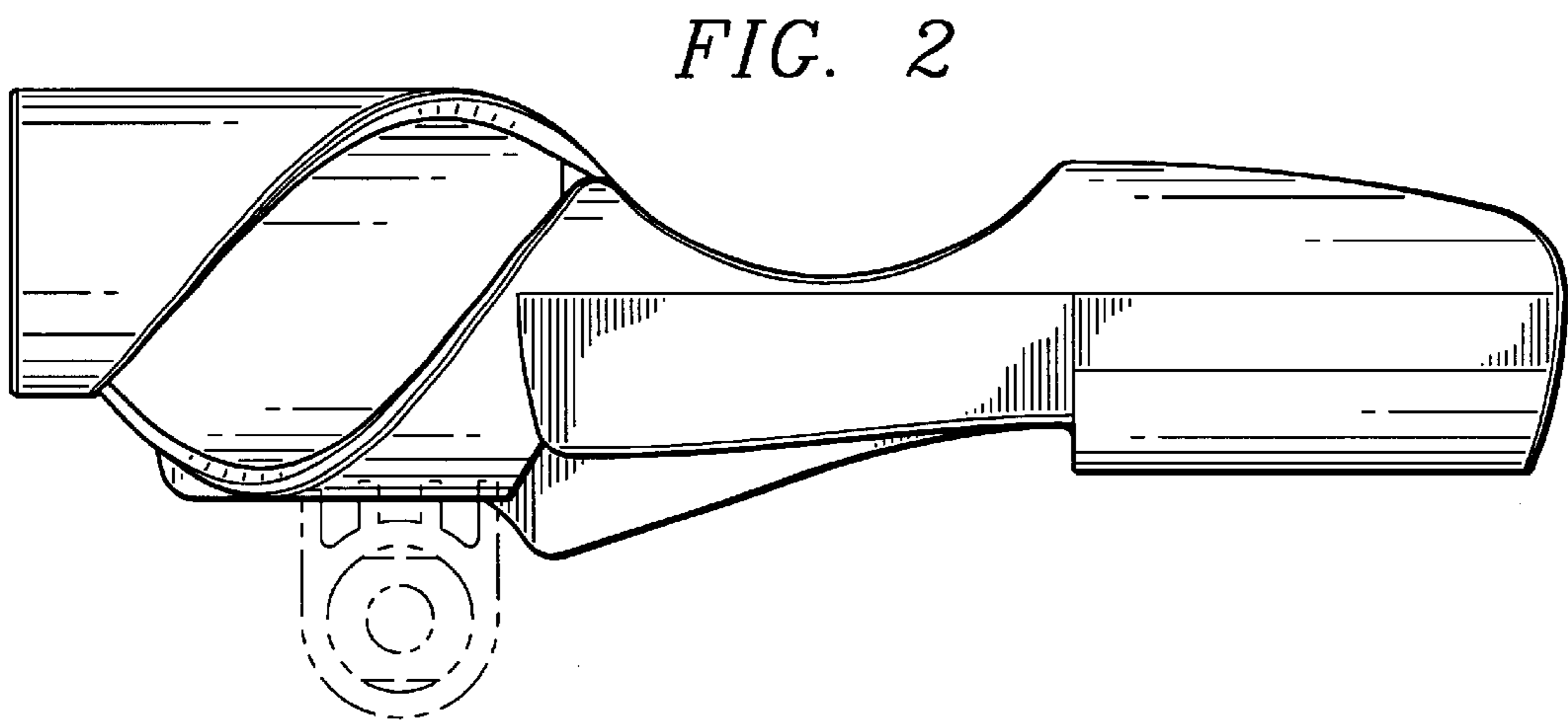
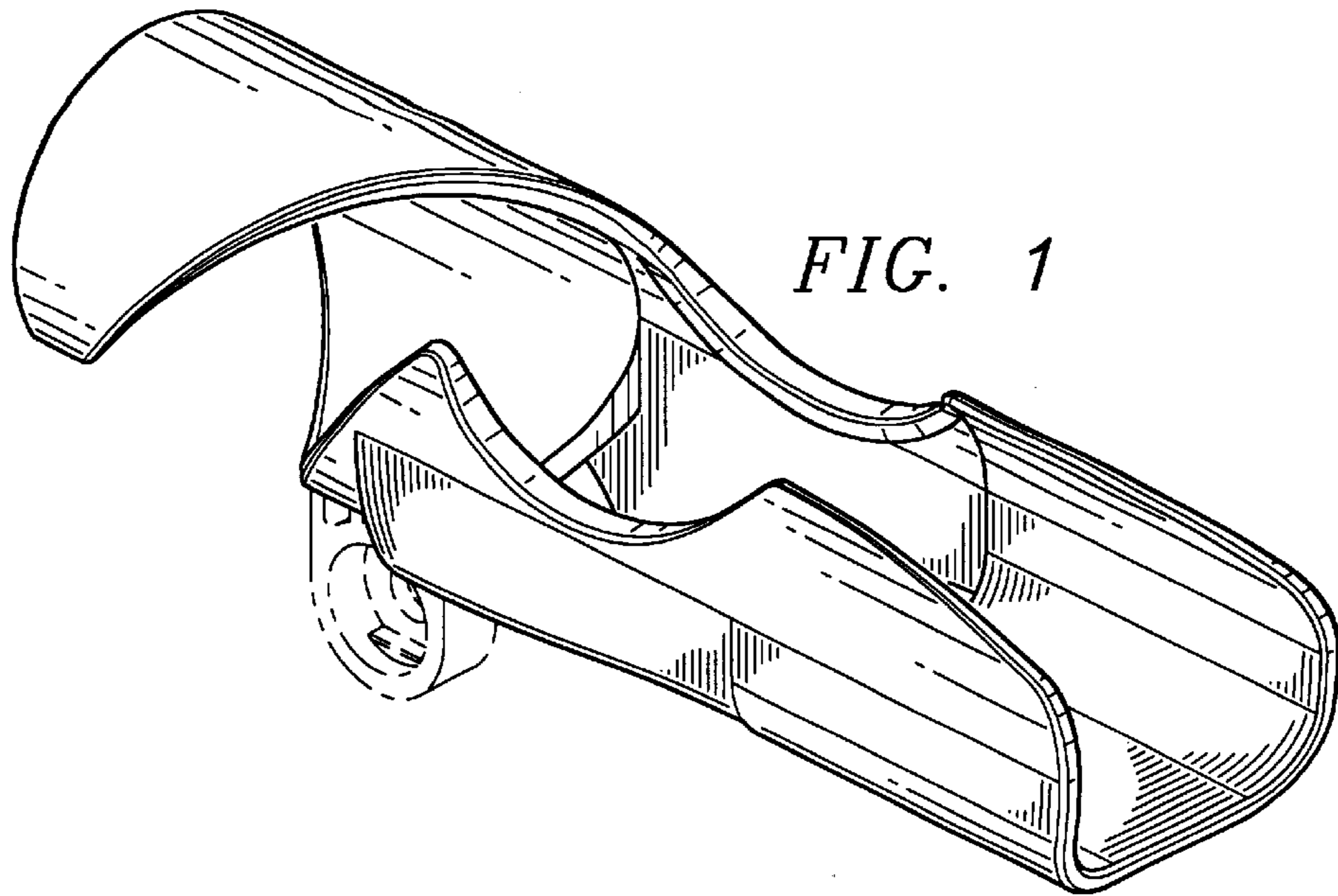


FIG. 4

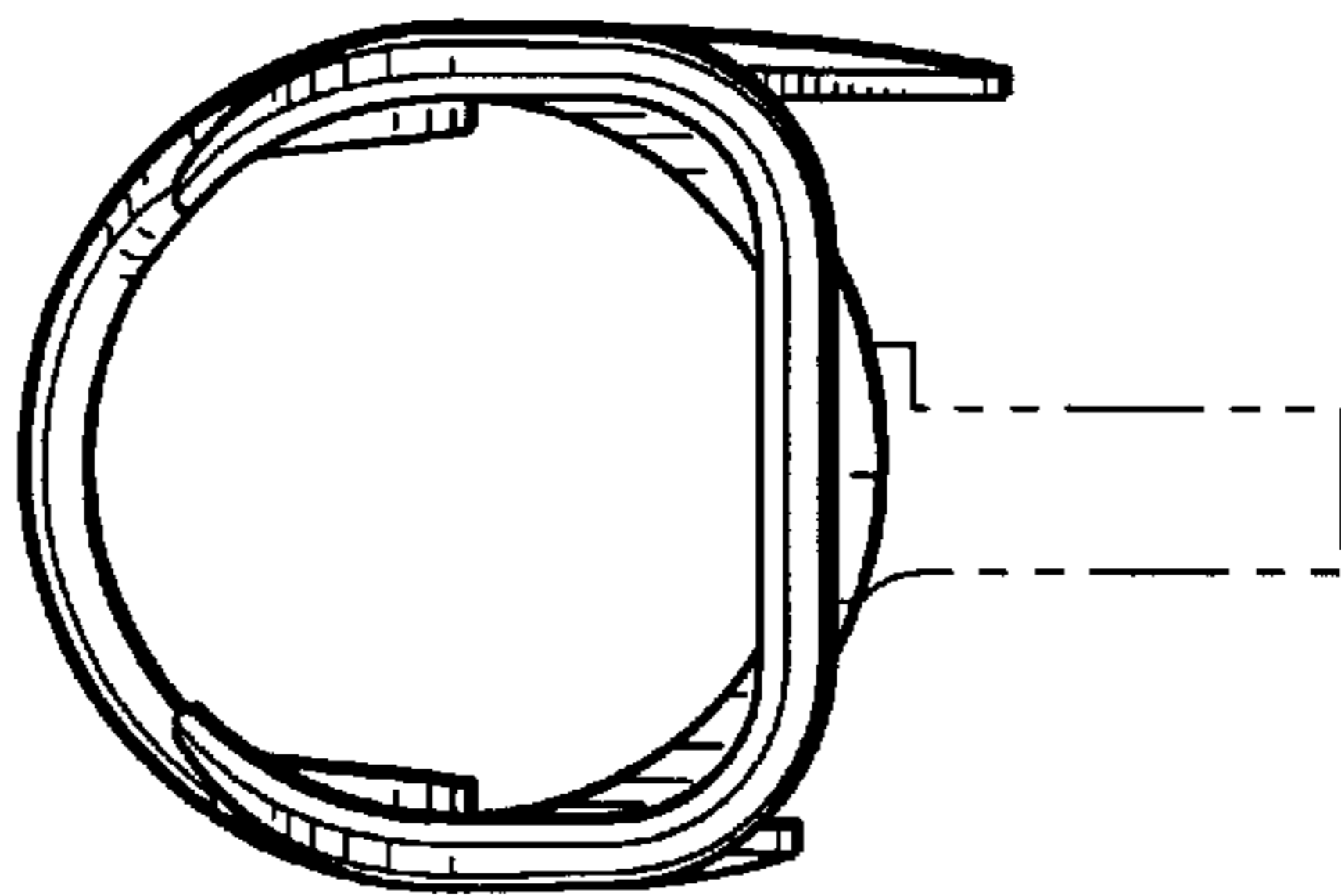


FIG. 5

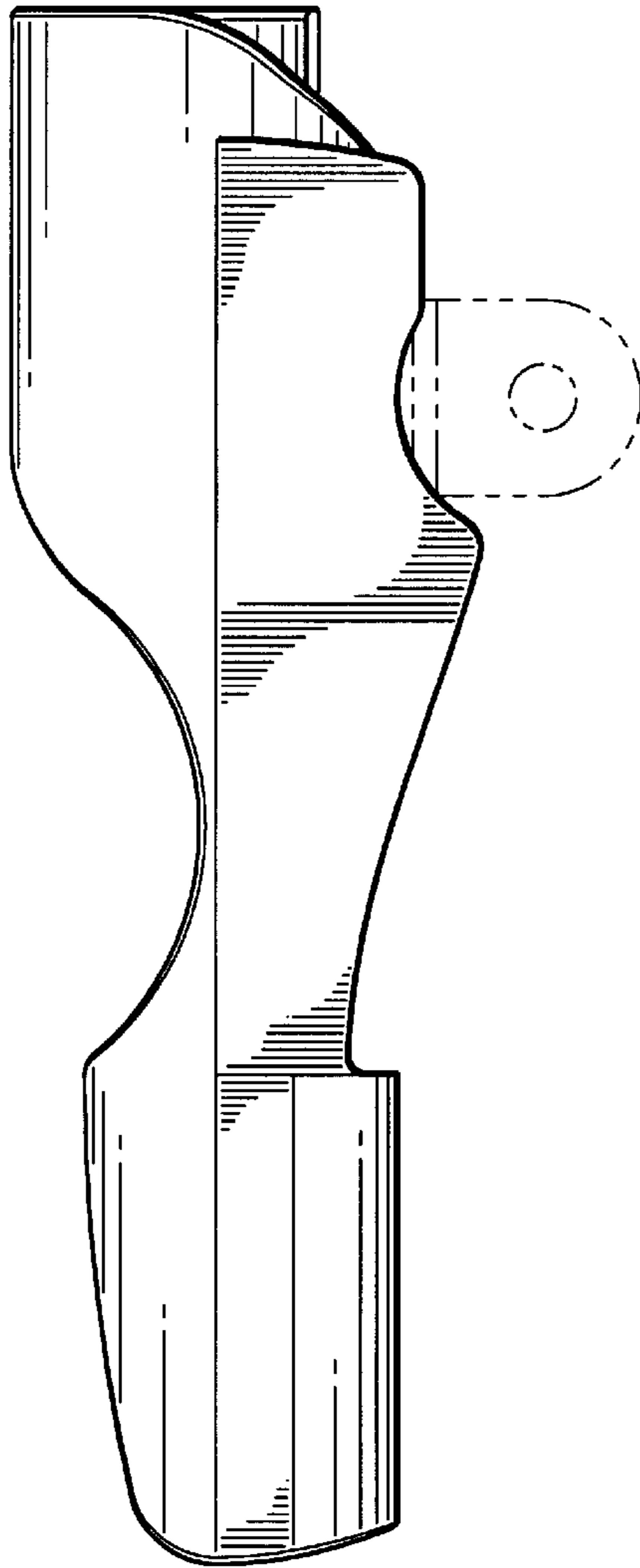


FIG. 6

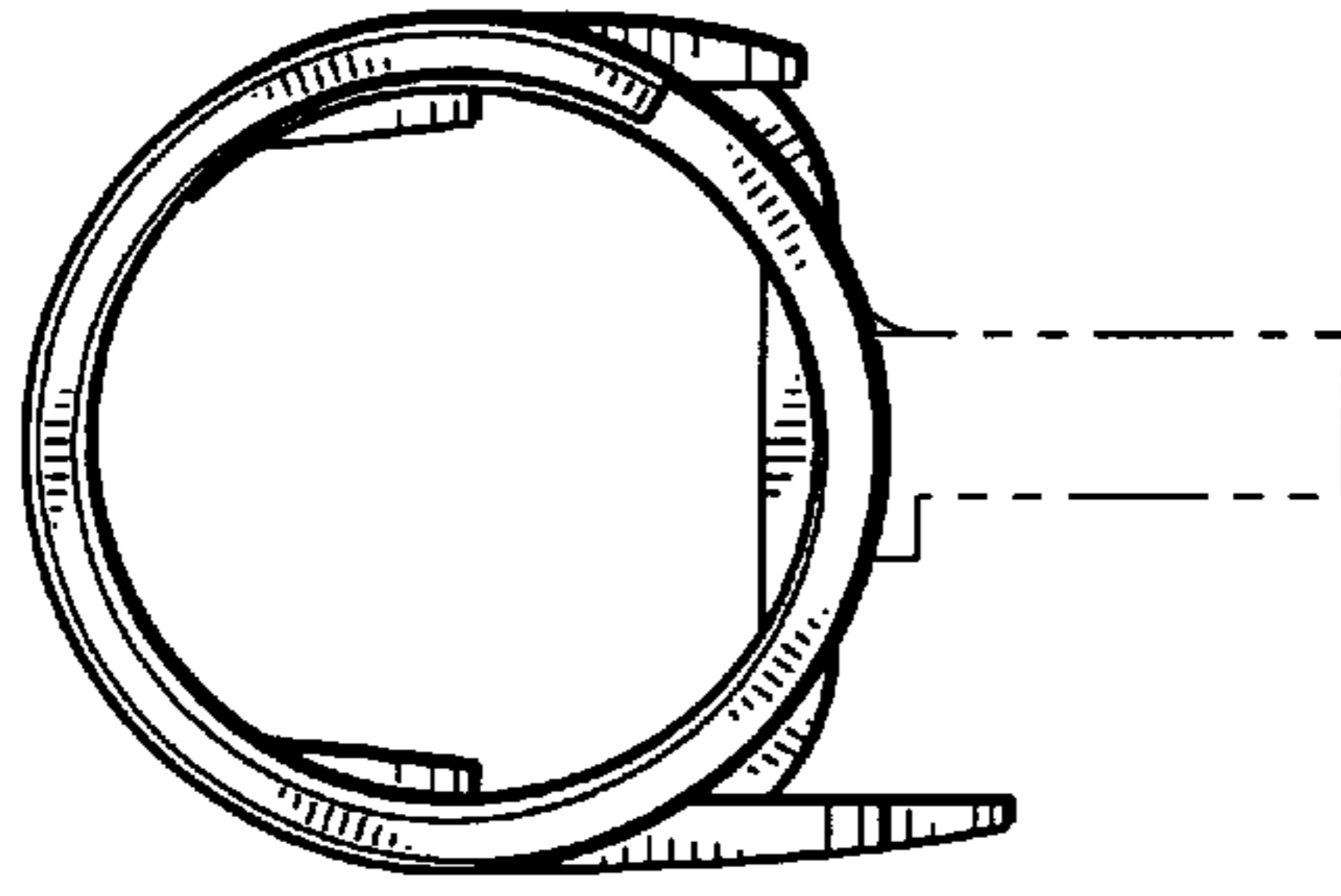
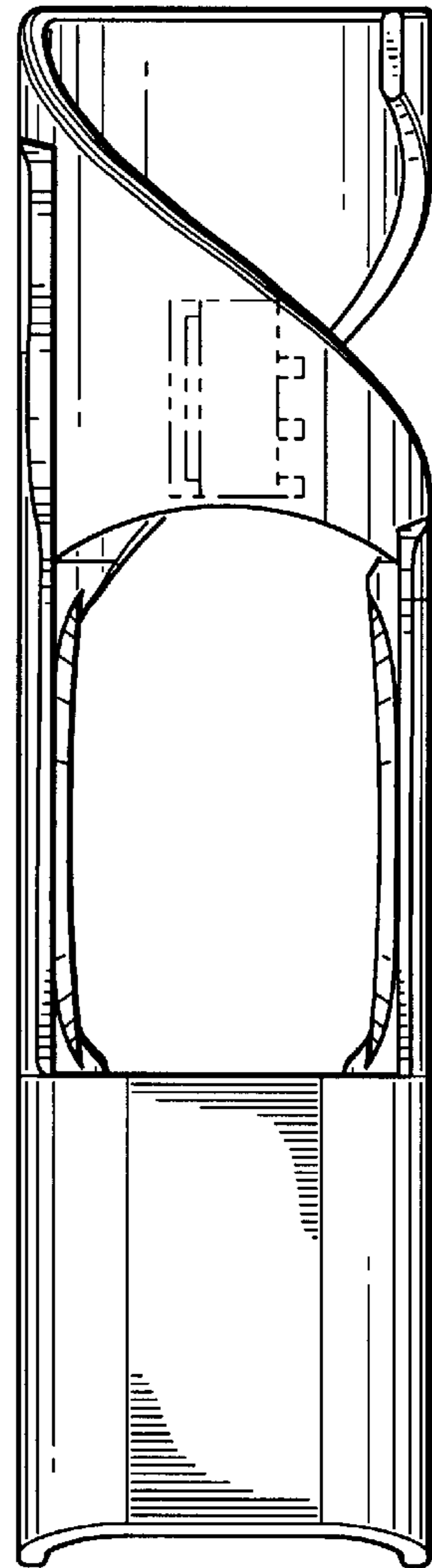


FIG. 7



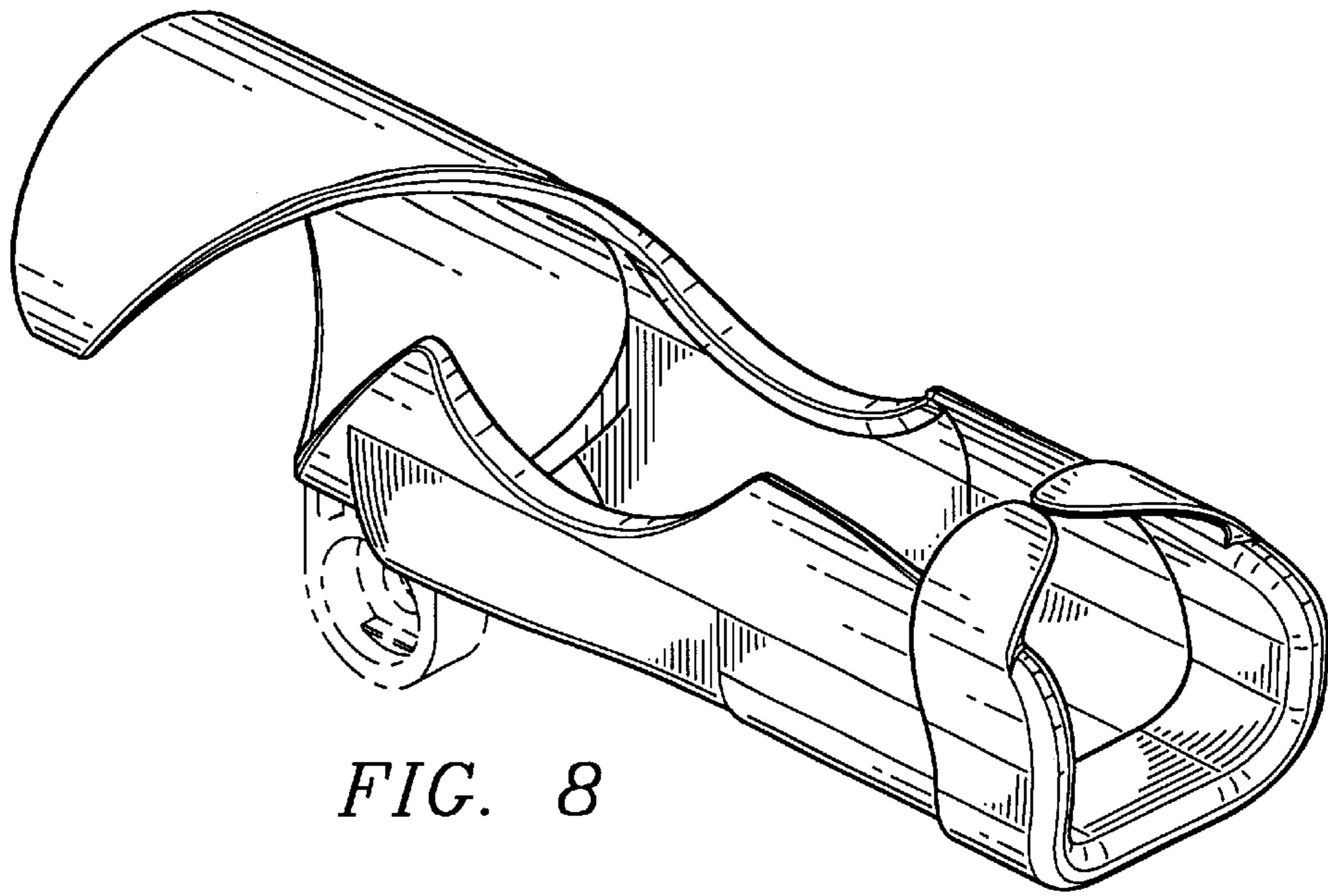


FIG. 8

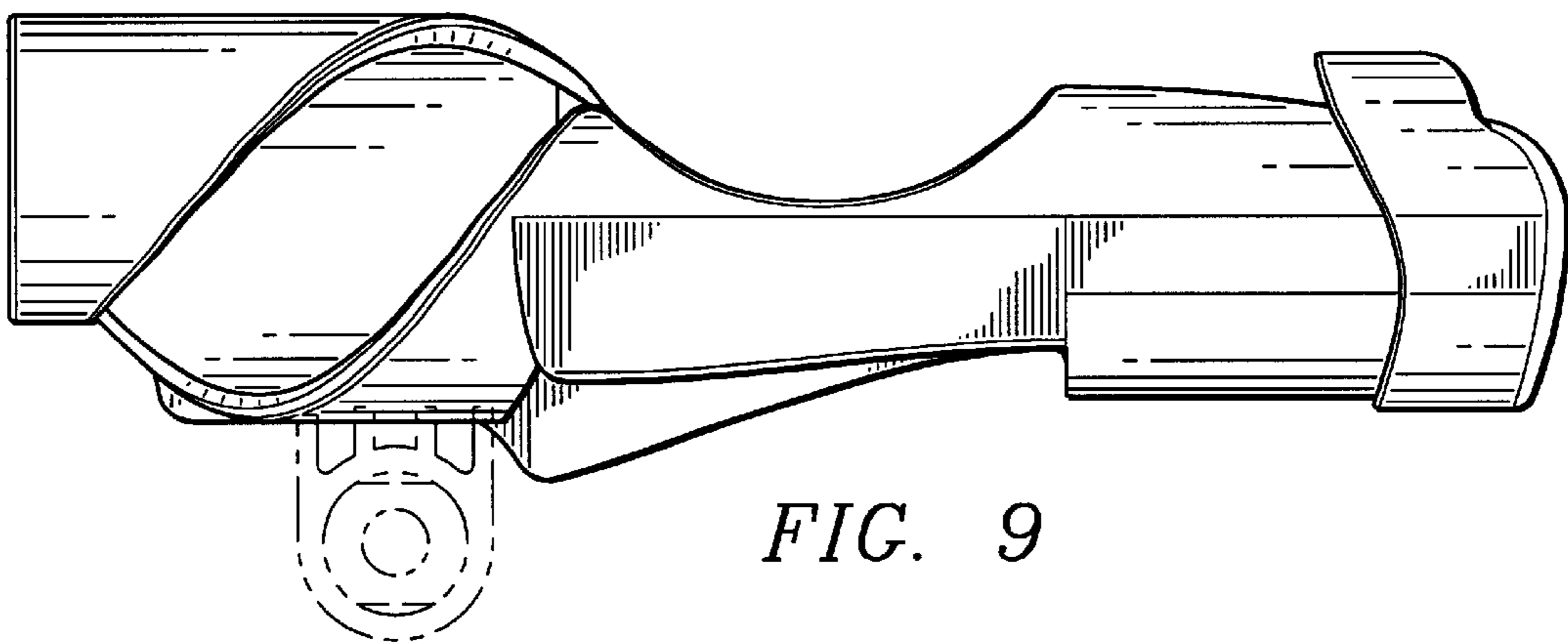


FIG. 9

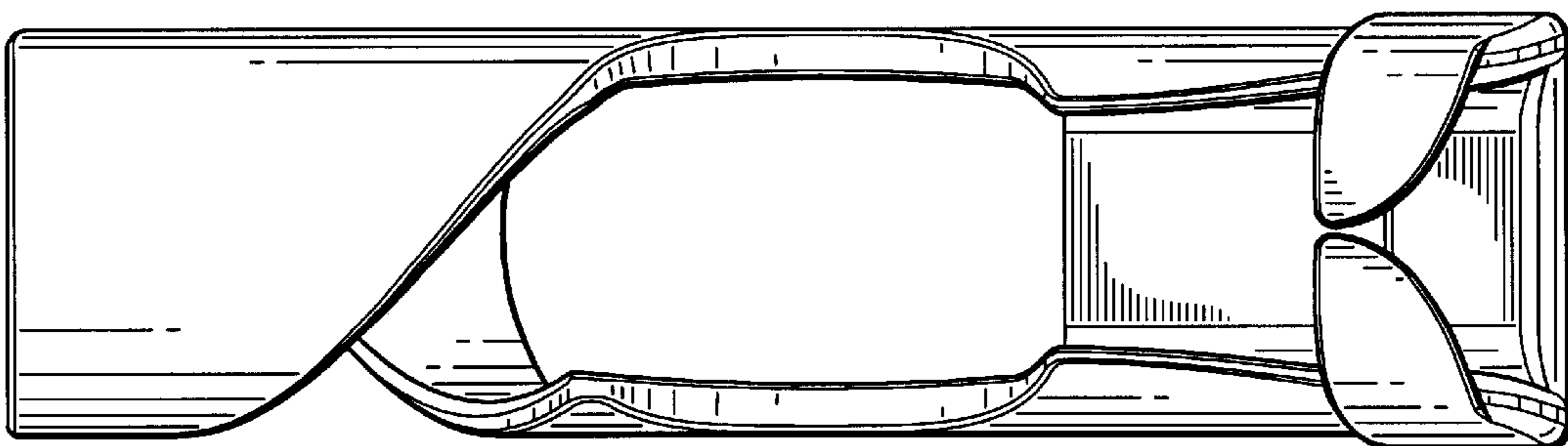


FIG. 10

FIG. 13

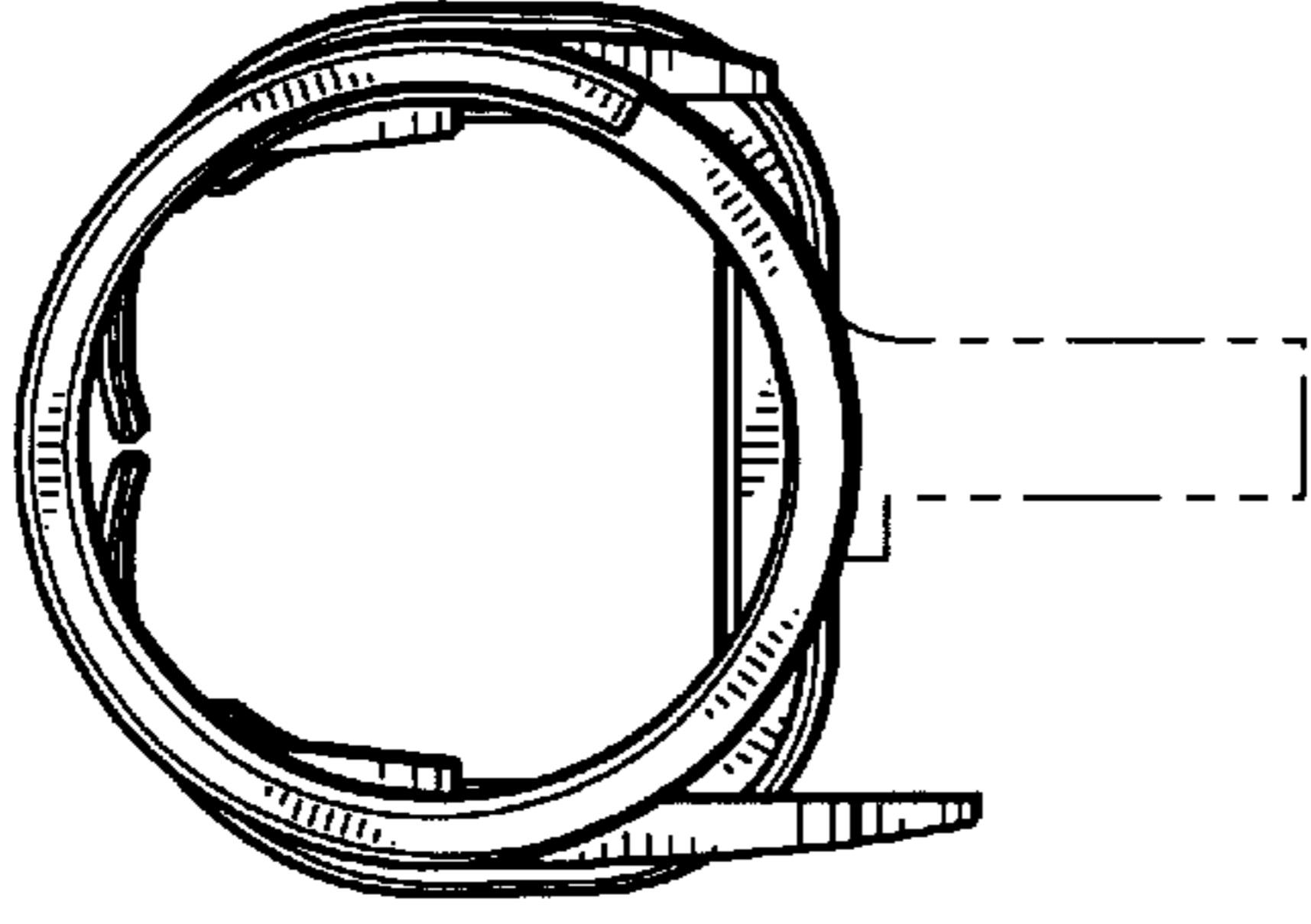


FIG. 11

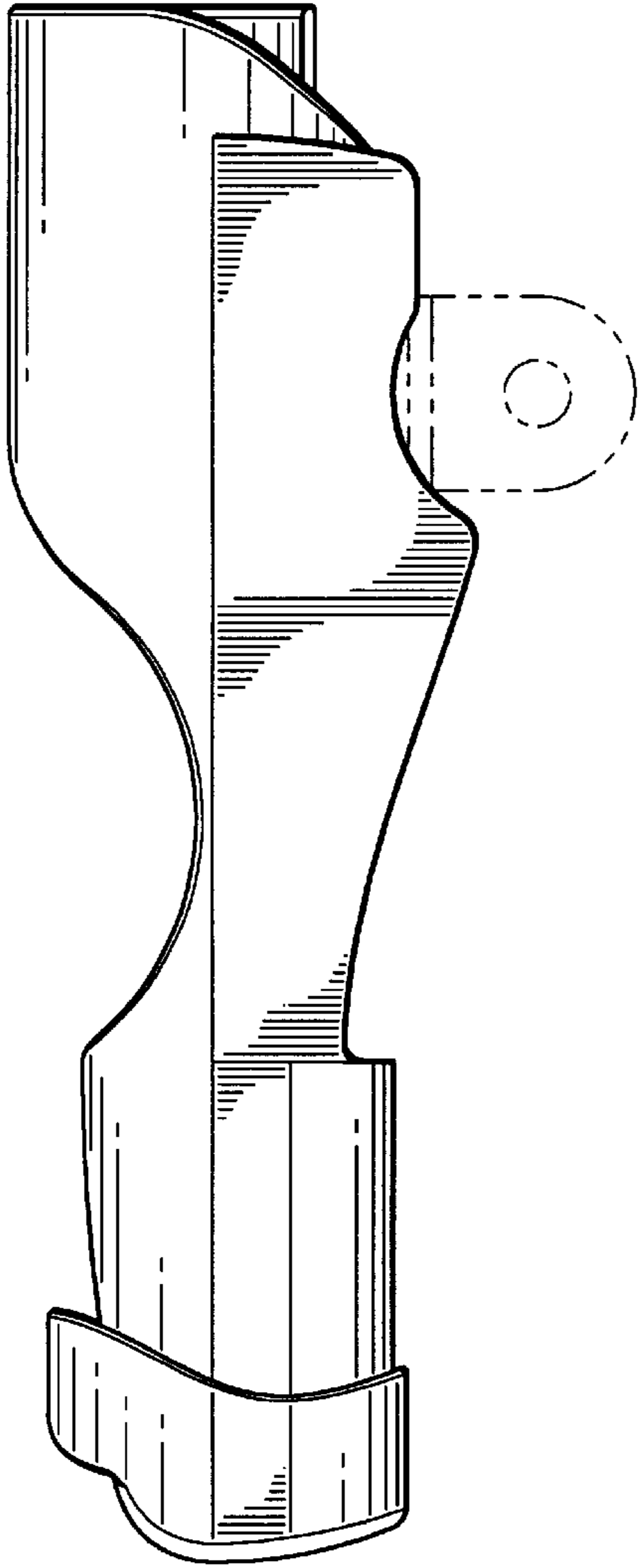


FIG. 12

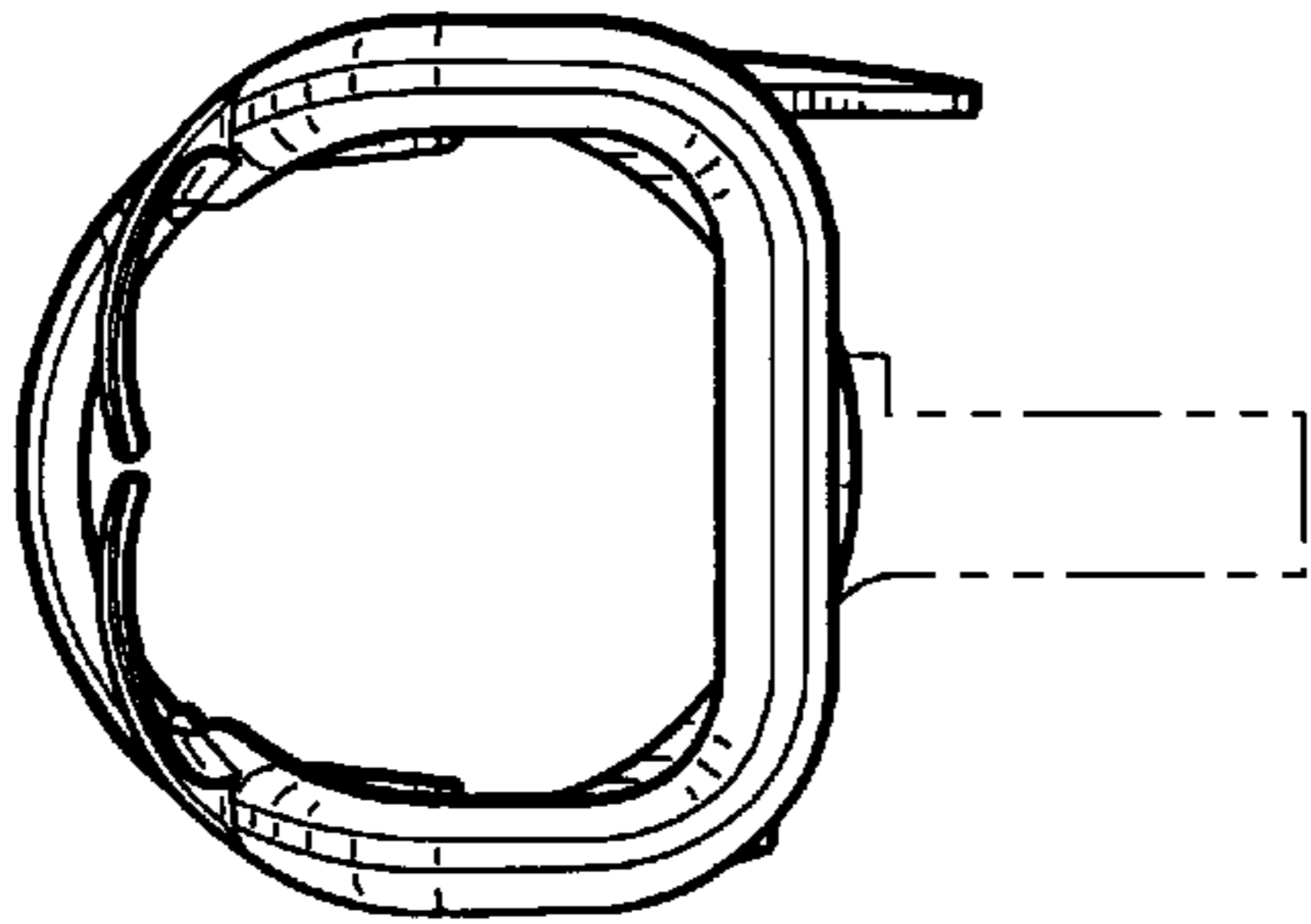


FIG. 14

