



US00D444835S

(12) **United States Design Patent**
Wahl et al.

(10) **Patent No.:** **US D444,835 S**

(45) **Date of Patent:** **** Jul. 10, 2001**

(54) **PUTTER FACE**

(75) Inventors: **Bret Wahl**, Carlsbad; **G. William Moody, Jr.**, San Marcos; **Sean Toulon**, Vista, all of CA (US); **Sherry Jones**, Pataskala, OH (US)

(73) Assignee: **Taylor Made Golf Company, Inc.**, Carlsbad, CA (US)

(**) Term: **14 Years**

(21) Appl. No.: **29/136,737**

(22) Filed: **Feb. 5, 2001**

(51) **LOC (7) Cl.** **21-01**

(52) **U.S. Cl.** **D21/759**

(58) **Field of Search** D21/736-746,
D21/759; 473/324, 329-331, 340, 341,
251-256

(56) **References Cited**

U.S. PATENT DOCUMENTS

- D. 57,980 * 5/1921 Krauter D21/741
- D. 79,684 * 10/1929 Munro-Spencer D21/736
- D. 138,380 * 7/1944 Myers et al. D21/743

- D. 411,275 6/1999 Bottema et al. D21/759
- D. 415,809 10/1999 Bottema et al. D21/759
- D. 416,062 * 11/1999 Solheim et al. D21/759
- D. 416,969 * 11/1999 Solheim et al. D21/759
- D. 416,970 * 11/1999 Solheim et al. D21/759
- D. 421,473 * 3/2000 Solheim et al. D21/759
- 6,089,993 7/2000 Woodward et al. 473/331

* cited by examiner

Primary Examiner—Mitchell Siegel

(74) *Attorney, Agent, or Firm*—Sheppard, Mullin, Richter & Hampton LLP; James R. Brueggemann

(57) **CLAIM**

We claim the ornamental design for a putter face, as shown and described.

DESCRIPTION

FIG. 1 is a front elevational view of a putter face embodying our new design; and, FIG. 2 is a sectional view of the putter face of FIG. 1, taken in the direction of the arrows 2—2 in FIG. 1, which reveals the depth of the spaces between adjacent circular projections in the putter face.

1 Claim, 1 Drawing Sheet

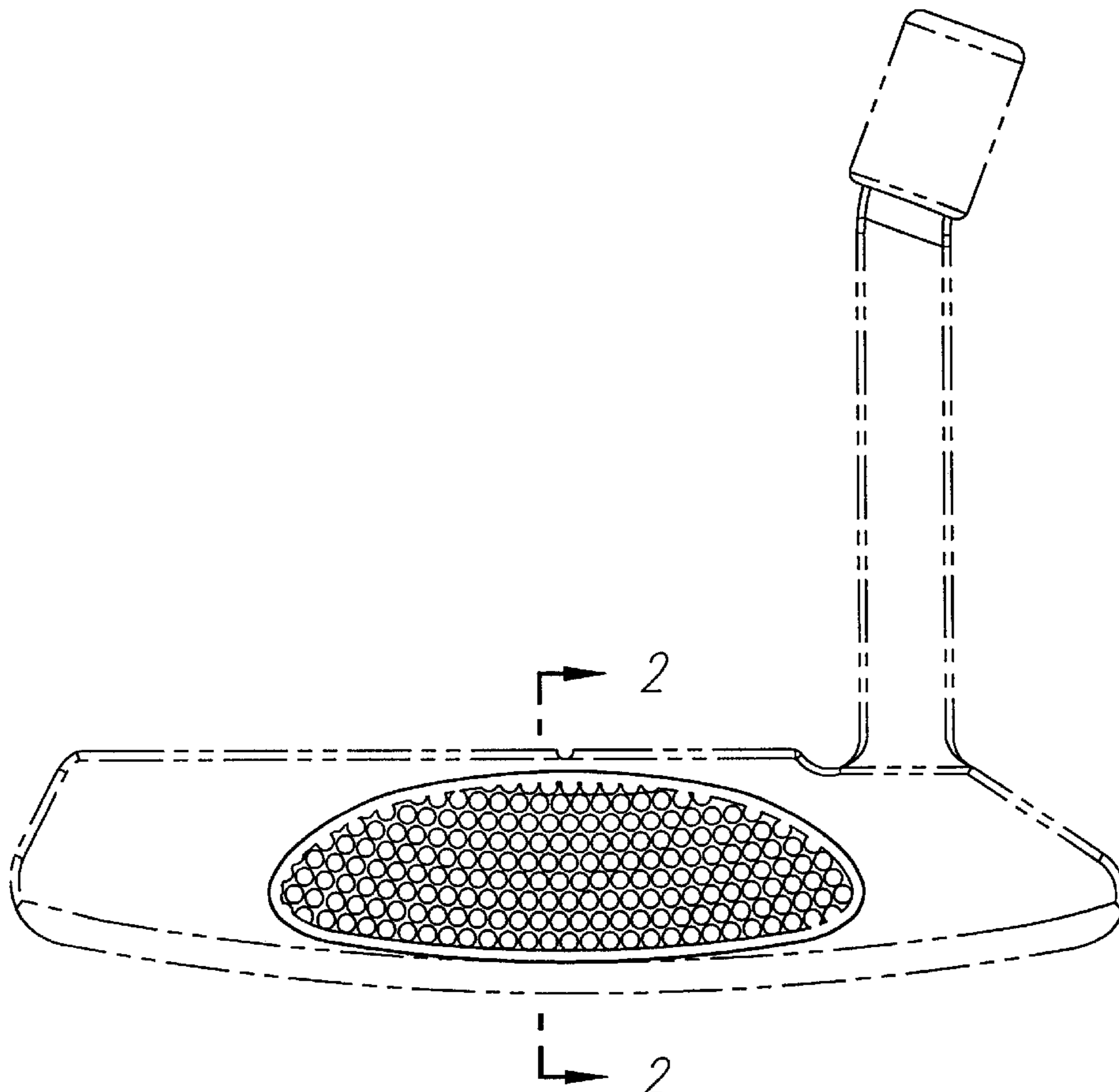


FIG. 1

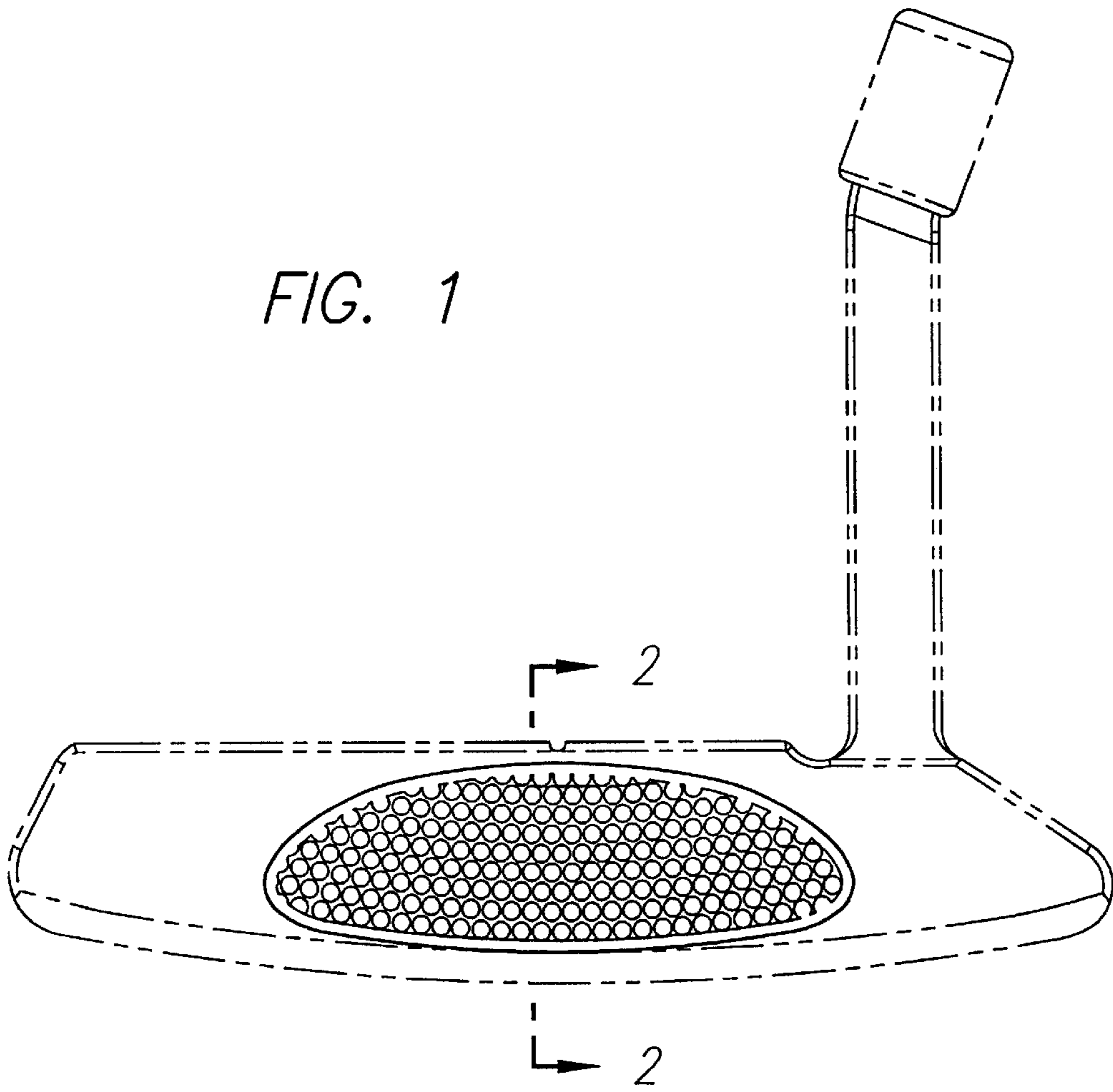


FIG. 2

