



US00D444832S

(12) **United States Design Patent**
Pinter

(10) **Patent No.:** **US D444,832 S**

(45) **Date of Patent:** **** Jul. 10, 2001**

(54) **GOLF PUTTER HEAD**

(76) Inventor: **Peter J. Pinter**, 17060-10 Emile St.,
Boca Raton, FL (US) 33487-1050

(**) Term: **14 Years**

(21) Appl. No.: **29/131,950**

(22) Filed: **Oct. 31, 2000**

(51) **LOC (7) Cl.** **21-02**

(52) **U.S. Cl.** **D21/736**

(58) **Field of Search** D21/736-746;
473/324, 327-330, 340, 341, 251-256

(56) **References Cited**

U.S. PATENT DOCUMENTS

D. 291,464 * 8/1987 Whitley D21/744

D. 364,664 * 11/1995 McNamara D21/741

D. 421,635 * 3/2000 Whitley D21/738

* cited by examiner

Primary Examiner—Mitchell Siegel

(74) *Attorney, Agent, or Firm*—Malloy & Malloy, P.A.

(57) **CLAIM**

The ornamental design for a golf putter head, as shown and described.

DESCRIPTION

FIG. 1 is a front perspective view illustrating my design for a golf putter head;

FIG. 2 is a top view of my design;

FIG. 3 is a front view of my design;

FIG. 4 is a rear view of my design;

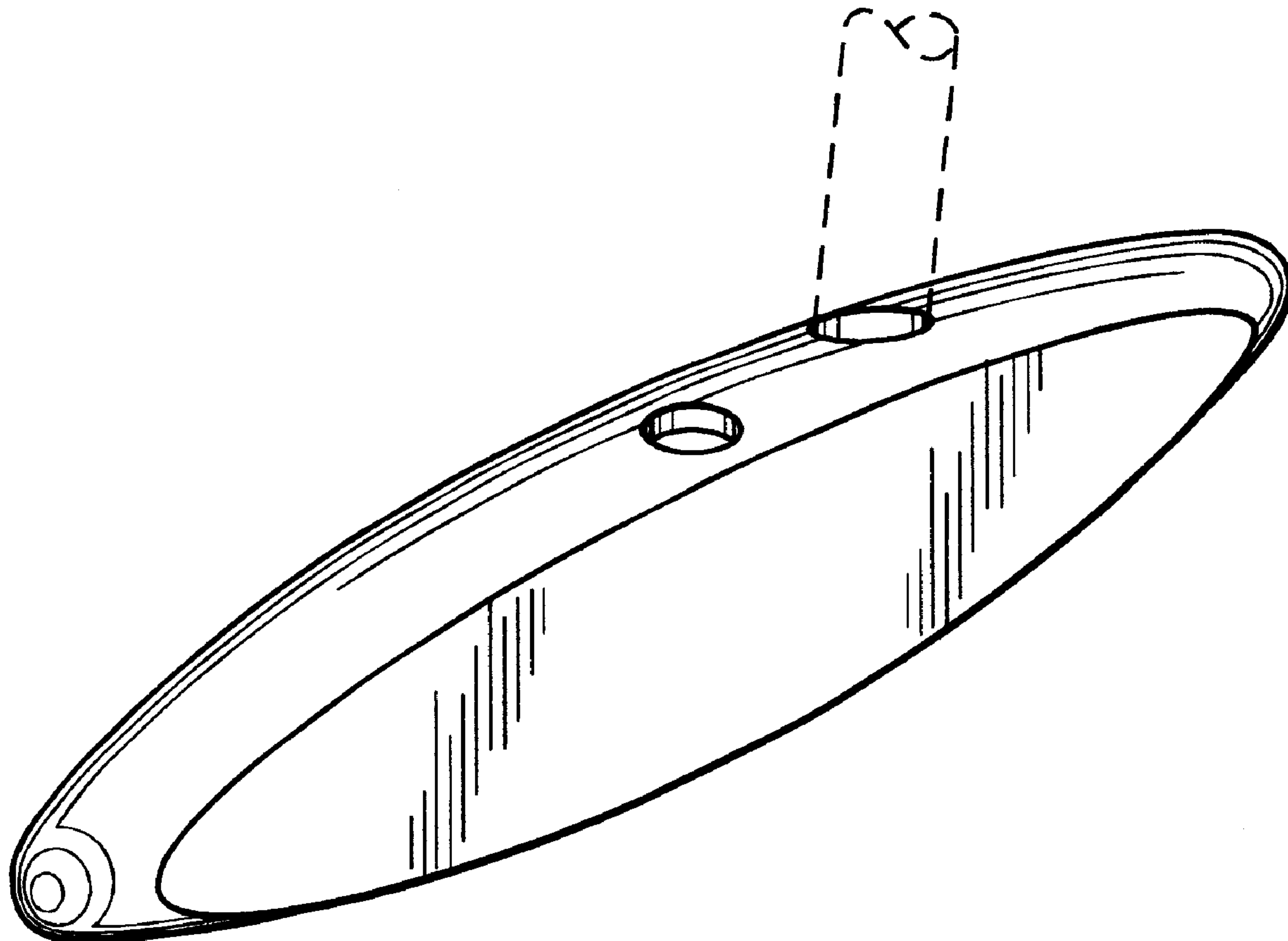
FIG. 5 is a bottom view of my design;

FIG. 6 is a left side view of my design; and,

FIG. 7 is a right side view of my design.

The broken line showing of the fragmented shaft is for illustrative purposes only and forms no part of the claimed design.

1 Claim, 2 Drawing Sheets



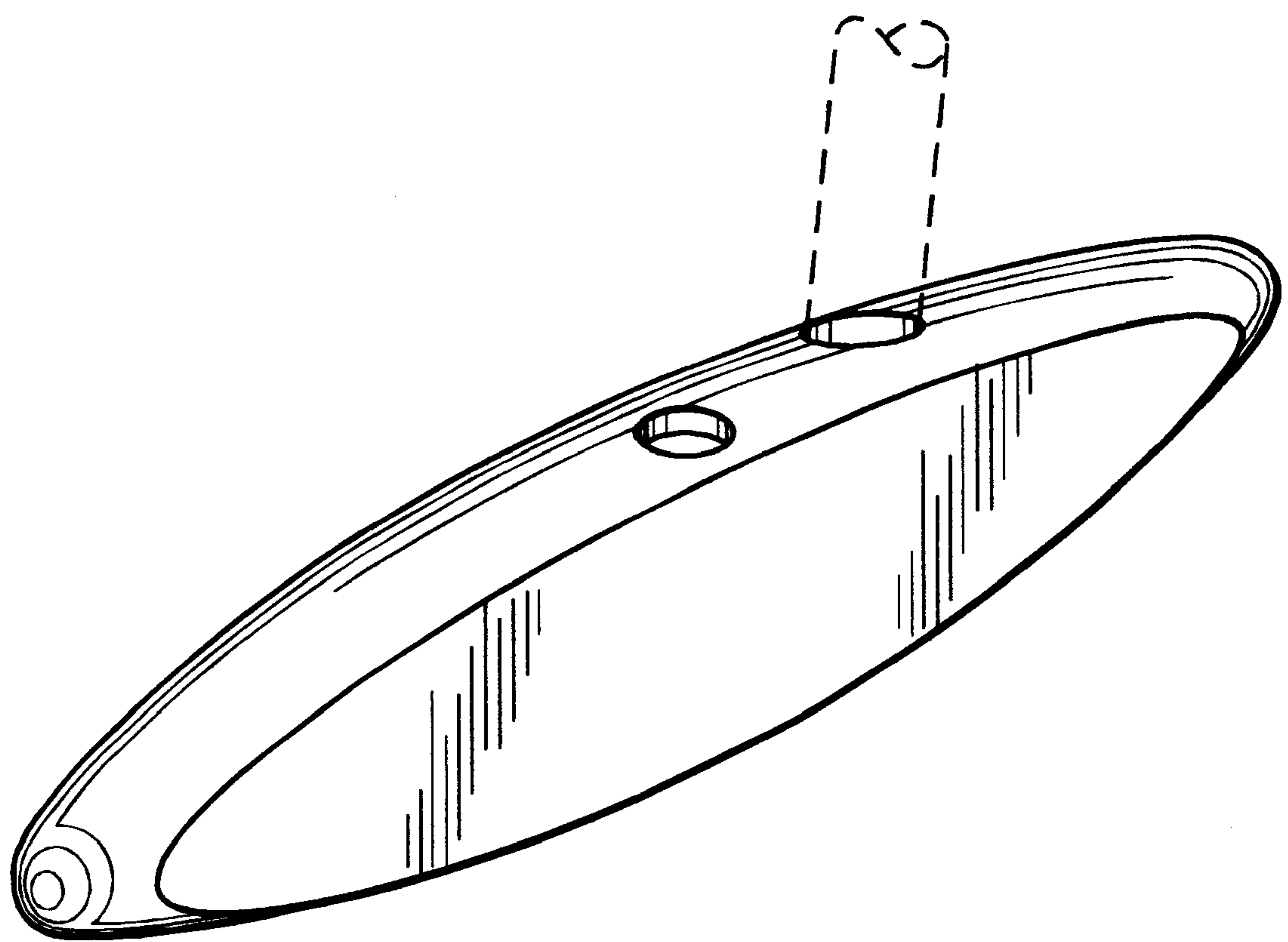


FIG. 1

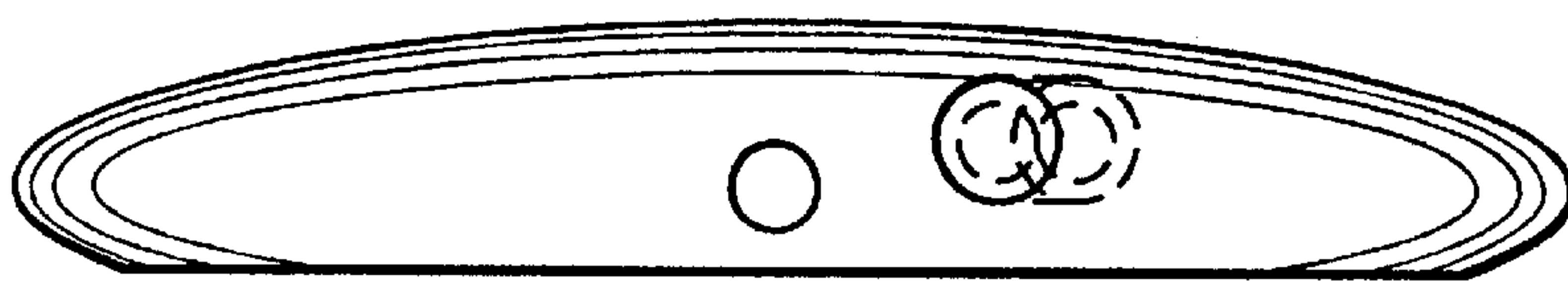


FIG. 2

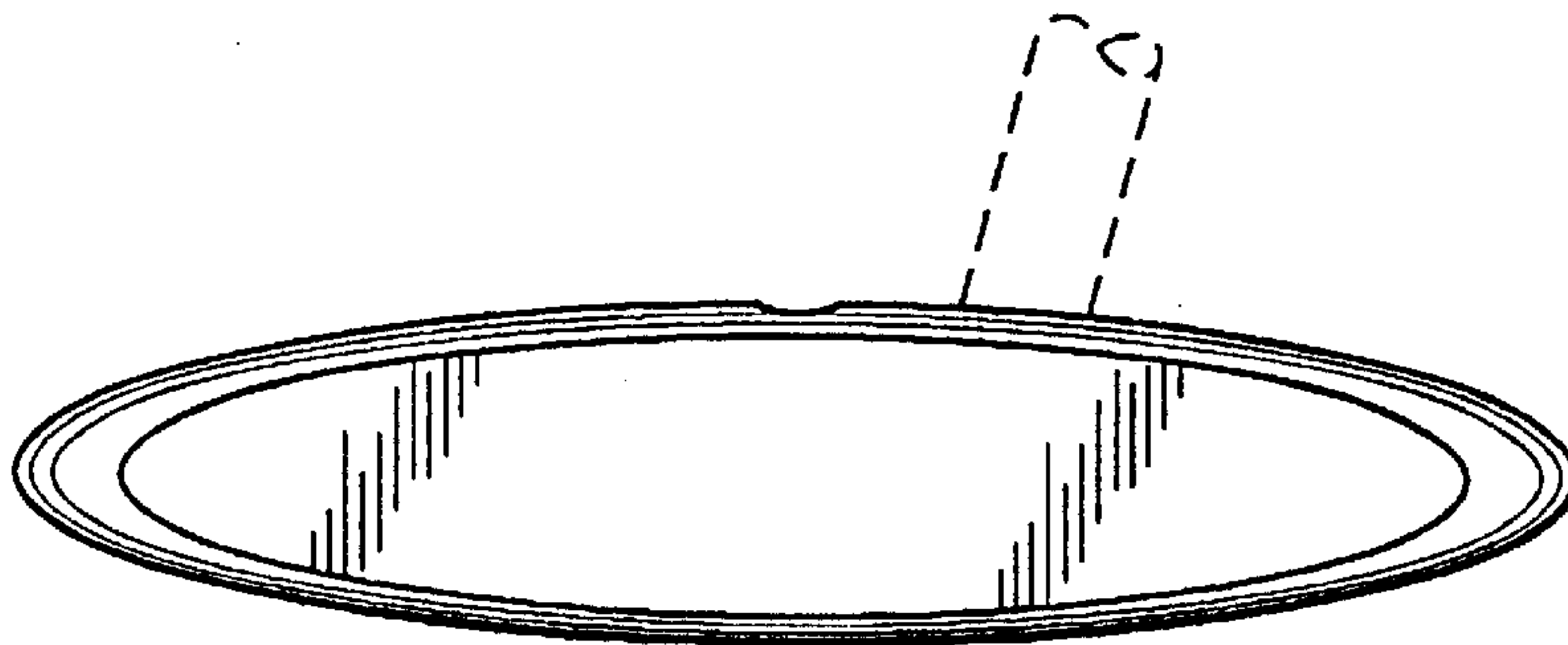


FIG. 3

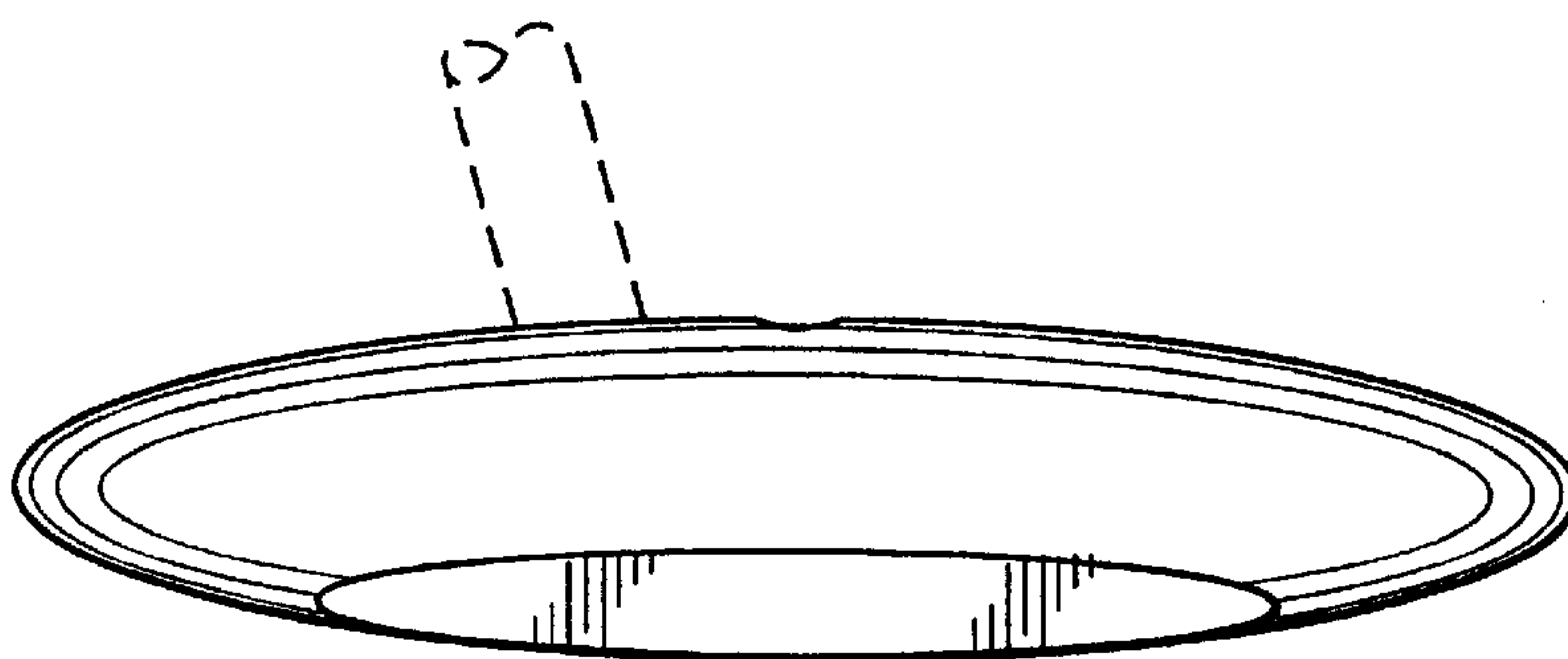


FIG. 4

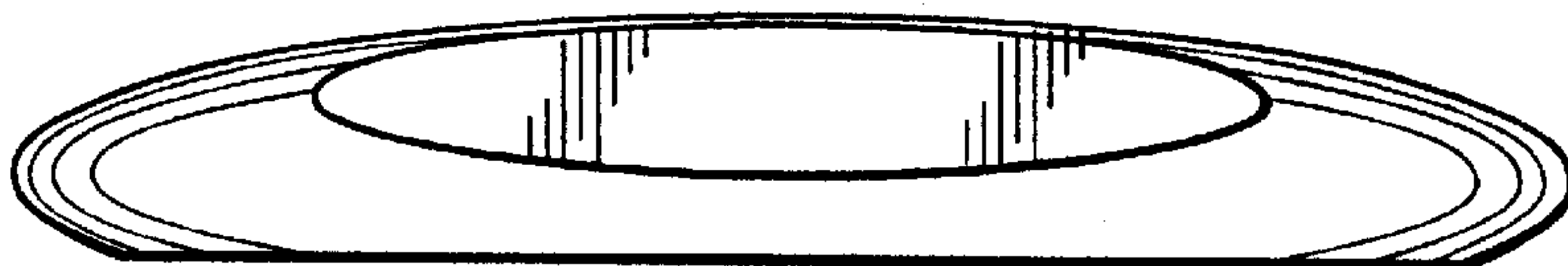


FIG. 5

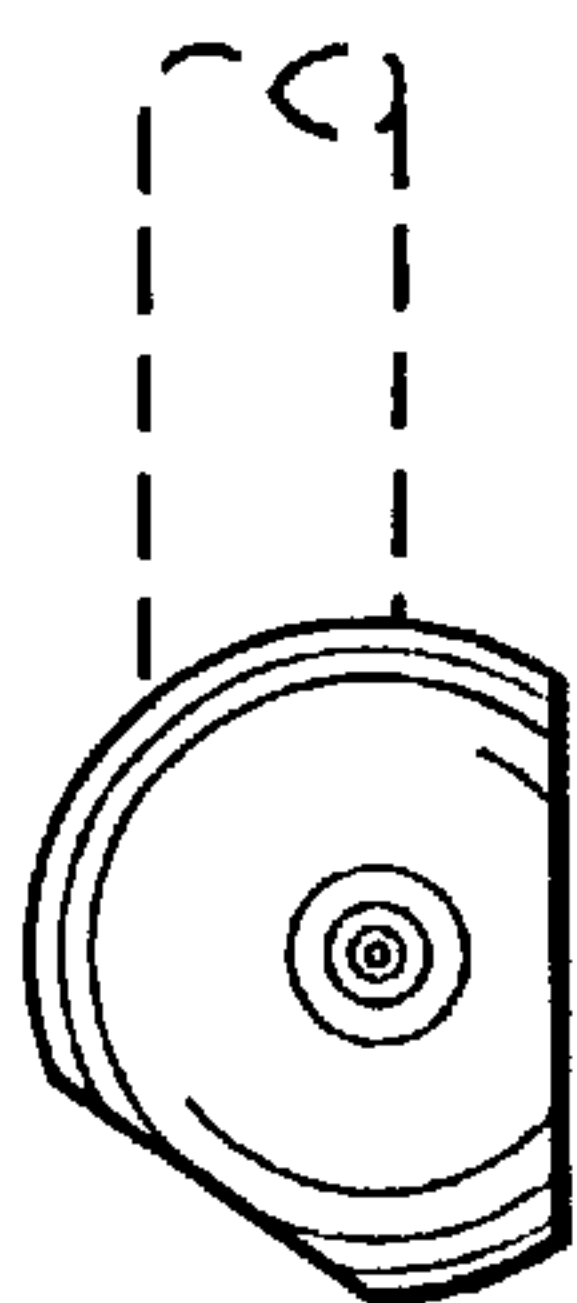


FIG. 6

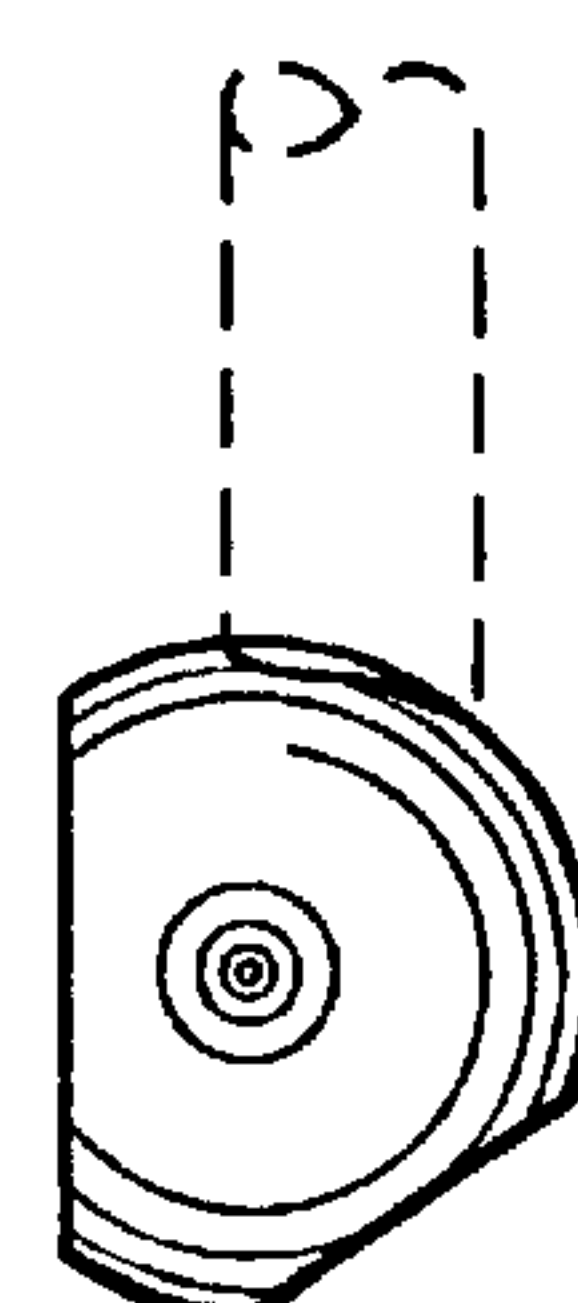


FIG. 7