



US00D444827S

(12) **United States Design Patent**
Mobley

(10) **Patent No.:** **US D444,827 S**

(45) **Date of Patent:** **** Jul. 10, 2001**

(54) **WEIGHT LIFTING BAR CATCH**
(75) Inventor: **Mitch Mobley**, Jefferson, IA (US)
(73) Assignee: **Conner Athletic Products, Inc.**,
Jefferson, IA (US)
(**) Term: **14 Years**

Primary Examiner—Philip S. Hyder
(74) *Attorney, Agent, or Firm*—Zarley, McKee, Thomte,
Voorhees & Sease

(21) Appl. No.: **29/126,540**
(22) Filed: **Jul. 18, 2000**
(51) **LOC (7) Cl.** **21-02**
(52) **U.S. Cl.** **D21/694**
(58) **Field of Search** D21/662, 686,
D21/694; 482/92, 93, 94, 95, 96, 97, 104,
148

(57) **CLAIM**
I claim the ornamental design for a weight lifting bar catch,
substantially as shown and described.

DESCRIPTION

FIG. 1 is a perspective view of the weight lifting bar catch of the present invention.
FIG. 2 is a right side elevation view of the weight lifting bar catch of the present invention.
FIG. 3 is a left side elevation view of the weight lifting bar catch of the present invention.
FIG. 4 is a front elevation view of the weight lifting bar catch of the present invention.
FIG. 5 is a back elevation view of the weight lifting bar catch of the present invention.
FIG. 6 is a top plan view of the weight lifting bar catch of the present invention; and,
FIG. 7 is a bottom plan view of the weight lifting bar catch of the present invention.

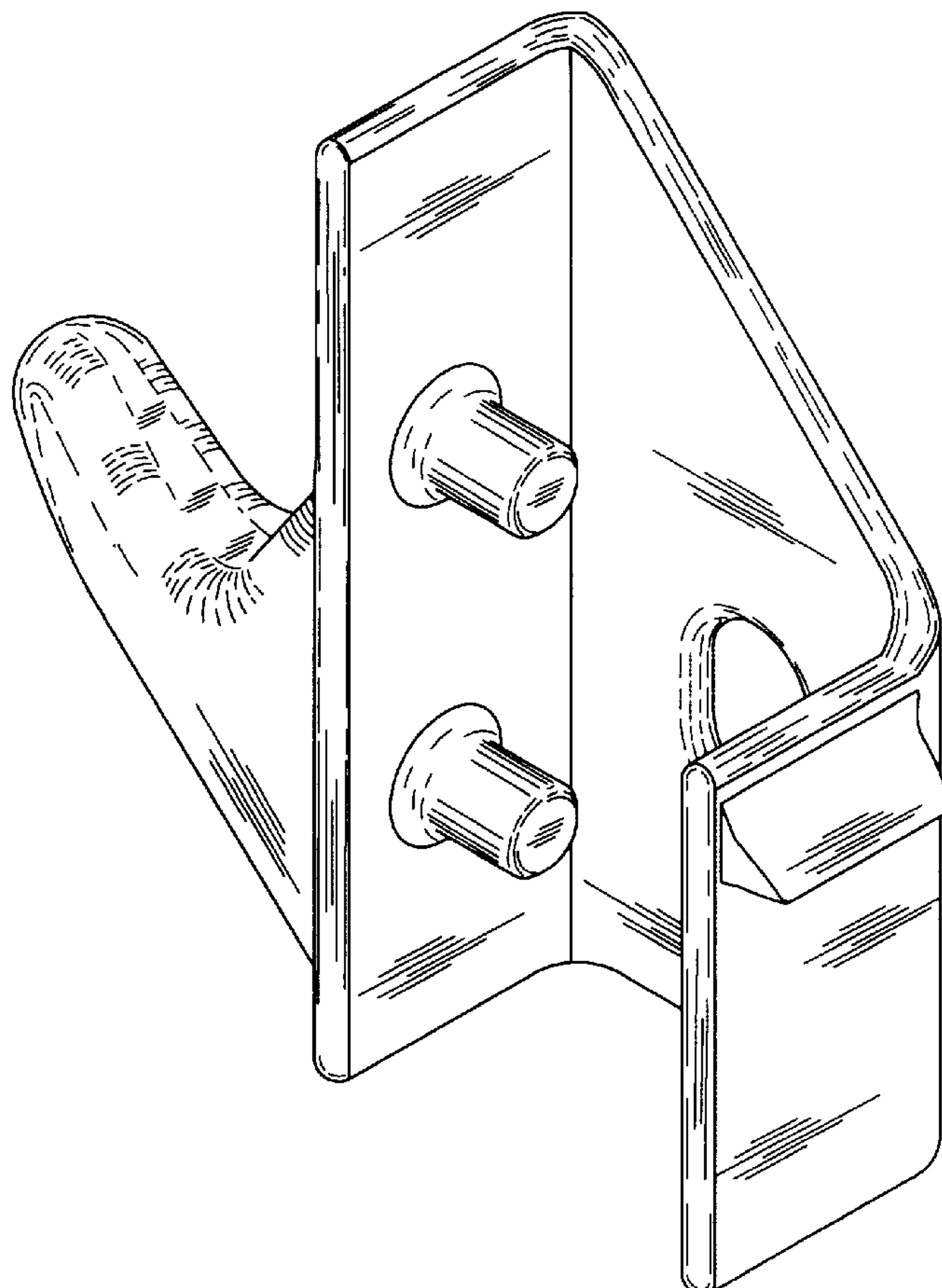
(56) **References Cited**

U.S. PATENT DOCUMENTS

4,973,051	*	11/1990	Stater	482/104
5,460,588	*	10/1995	Tate	482/104
5,630,776	*	5/1997	Yang	482/104
5,727,764	*	3/1998	Angeles	482/104
6,086,519	*	7/2000	Ayton	482/104

* cited by examiner

1 Claim, 3 Drawing Sheets



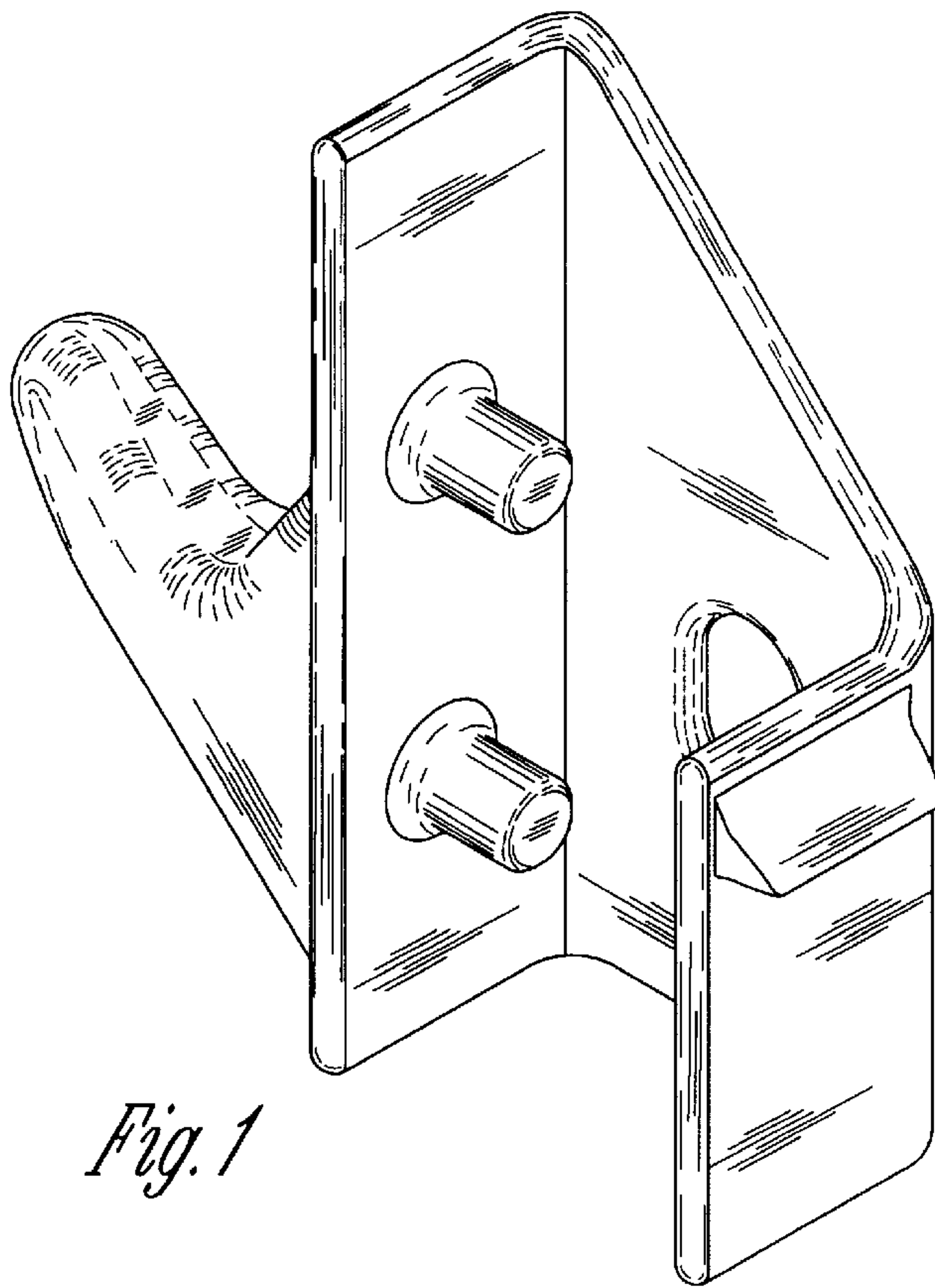


Fig. 1

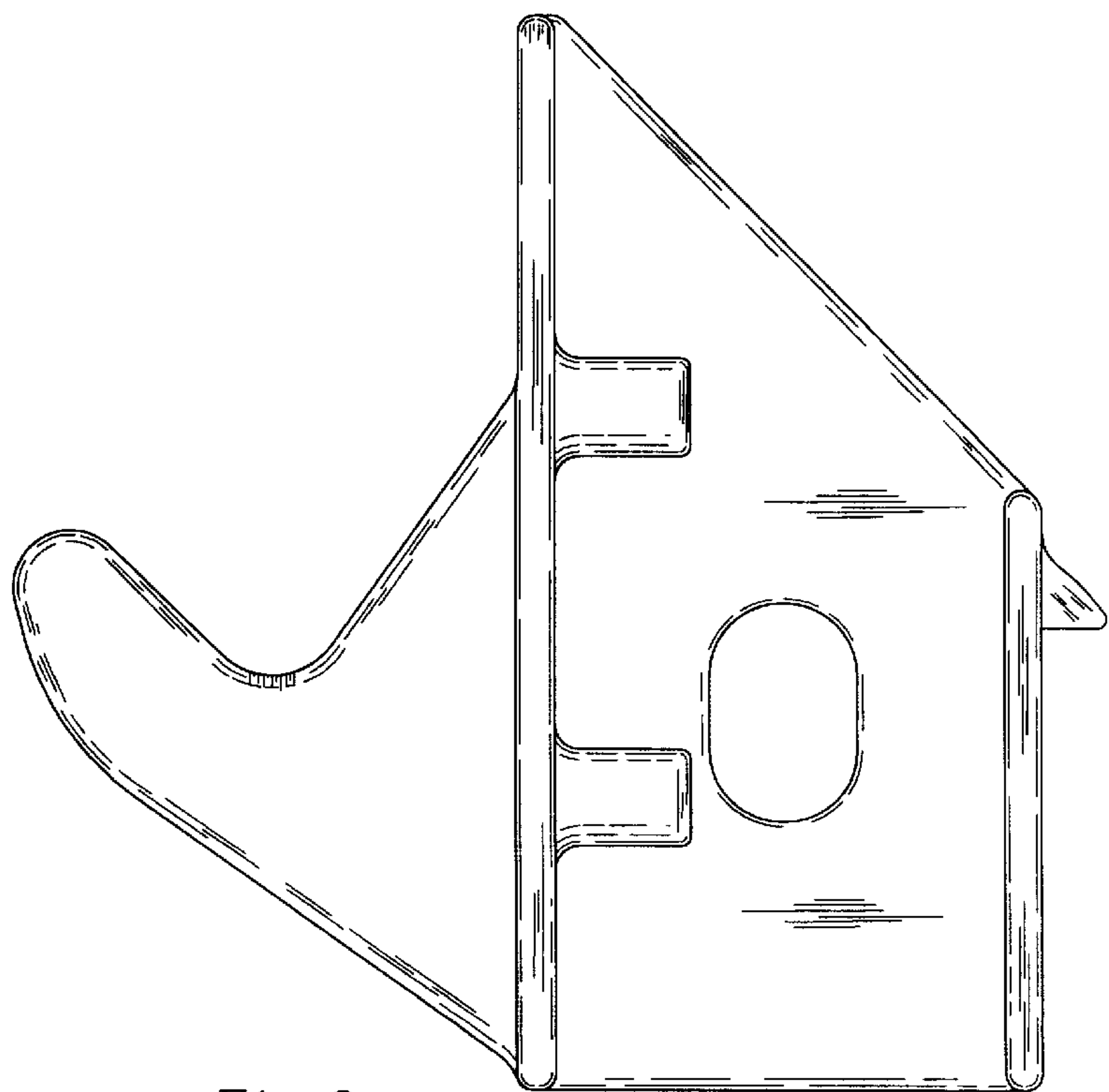


Fig. 2

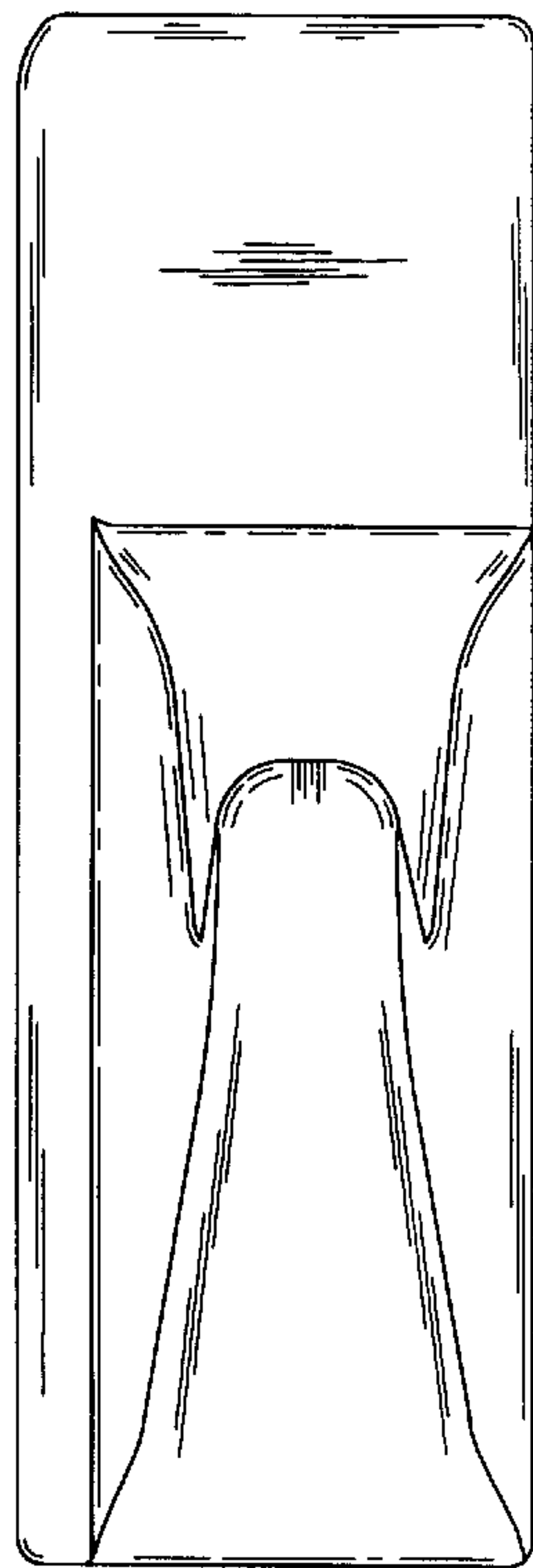
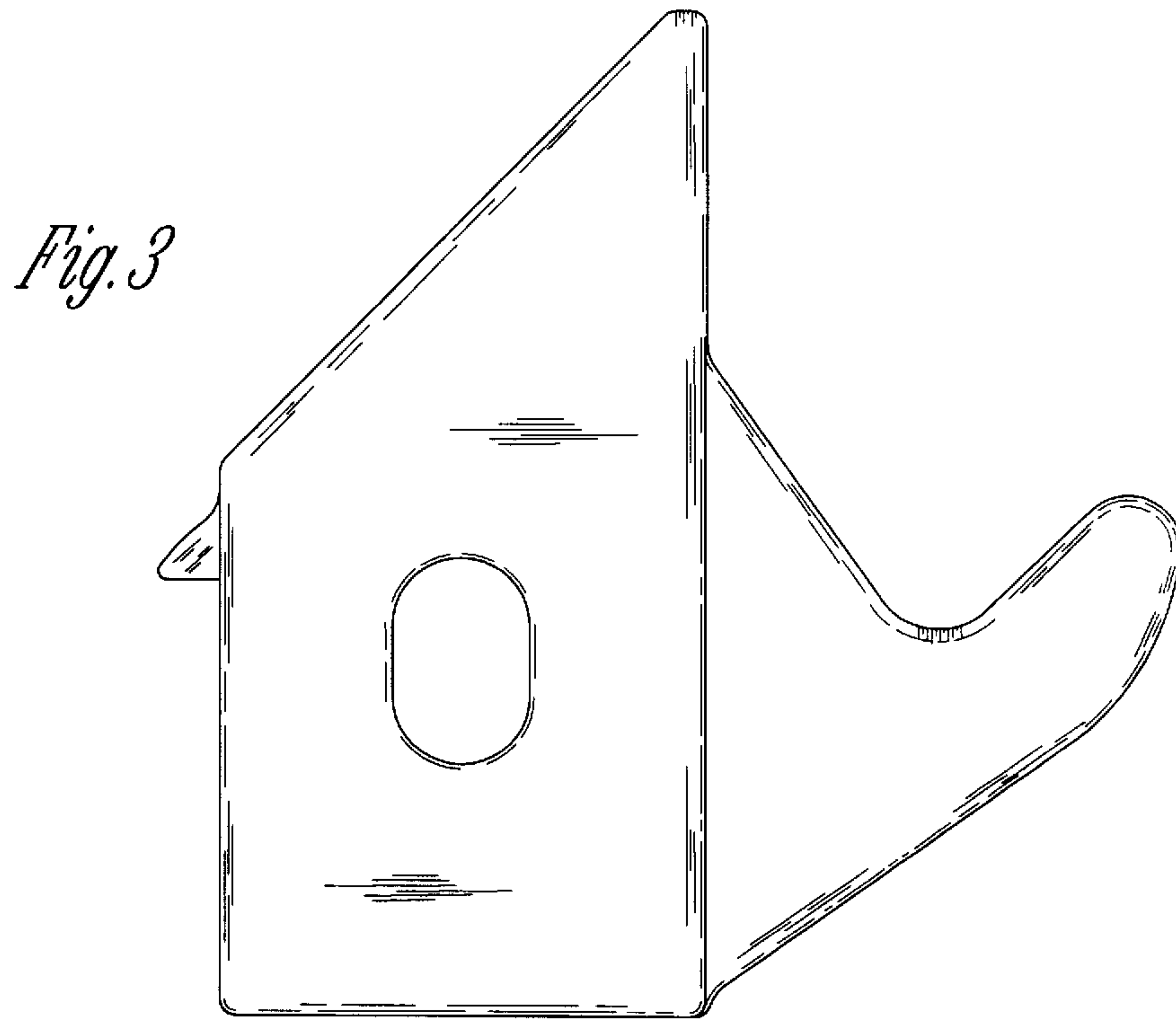


Fig. 4

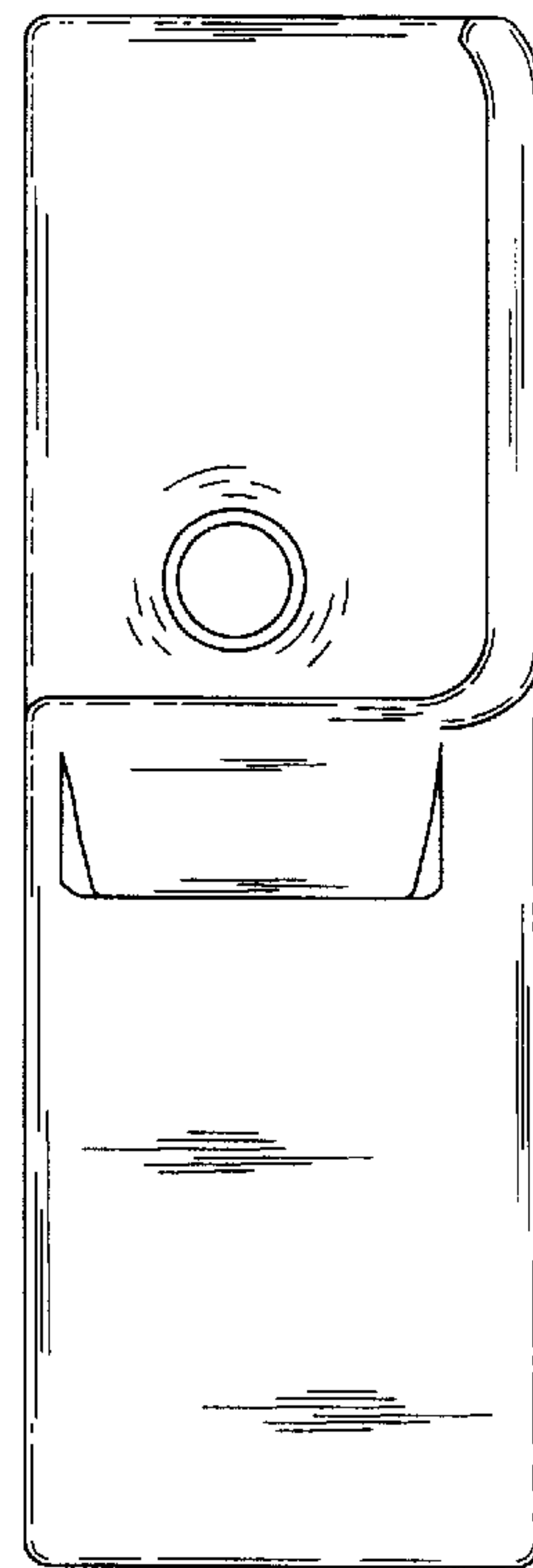


Fig. 5

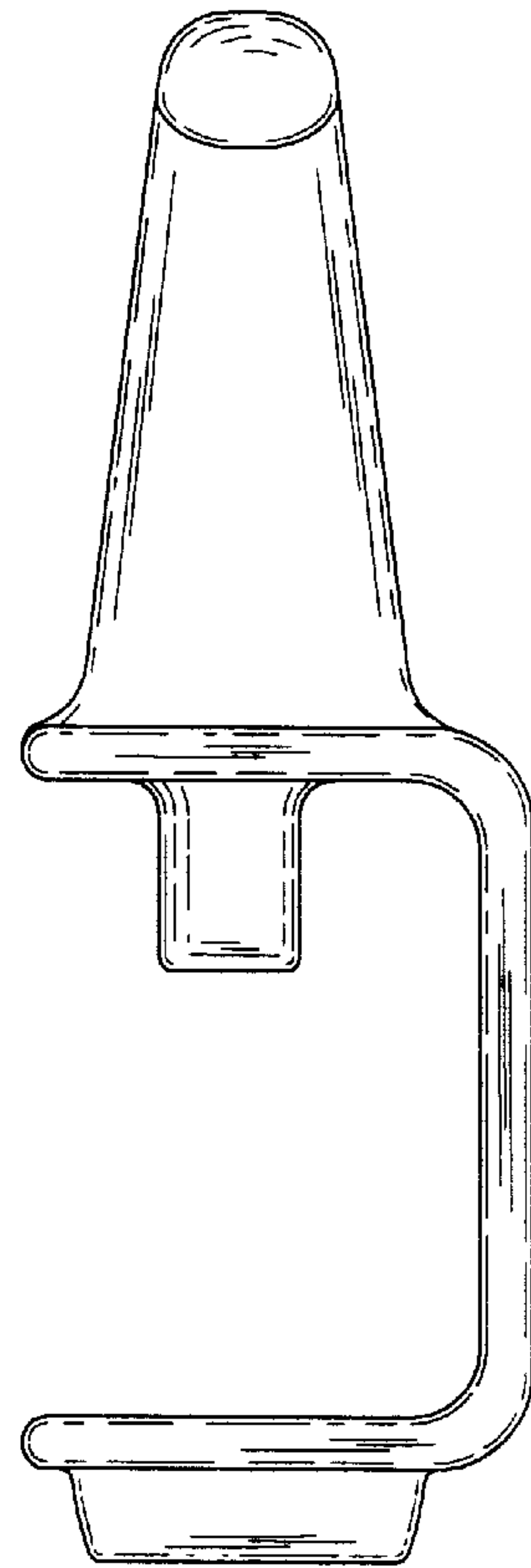


Fig. 6

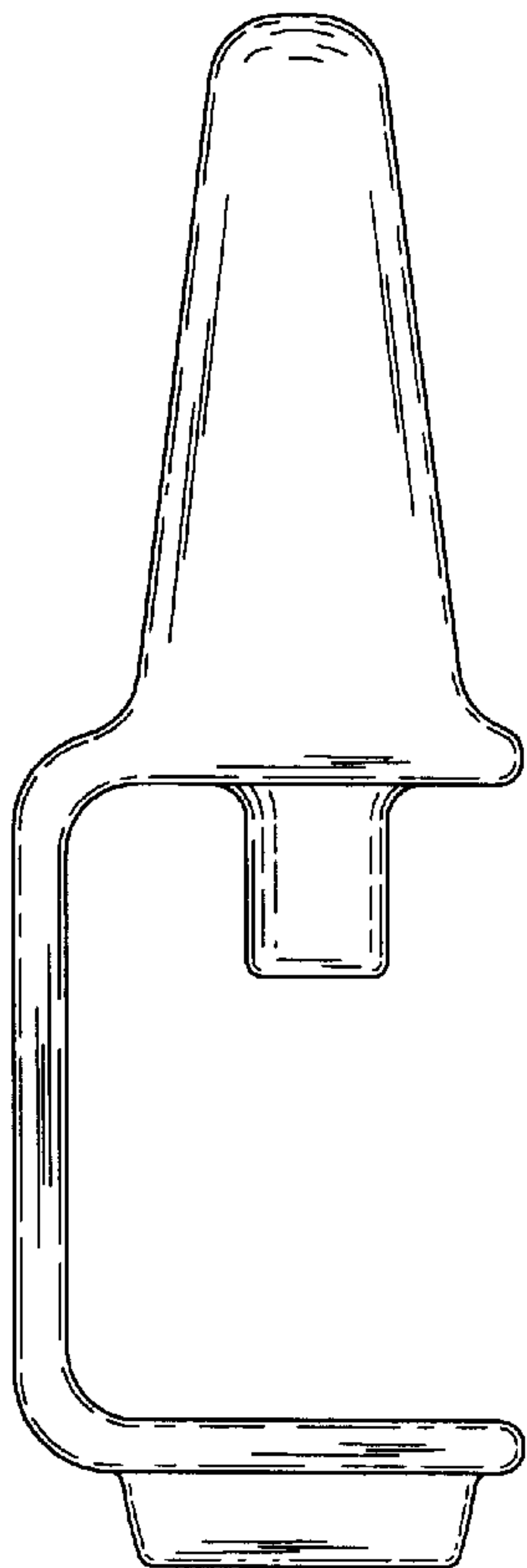


Fig. 7