



US00D444824S

(12) **United States Design Patent**  
**Udwin et al.**

(10) **Patent No.:** **US D444,824 S**  
(45) **Date of Patent:** **\*\* Jul. 10, 2001**

(54) **SCOOTER**

(75) Inventors: **Steven C. Udwin; David Tarica**, both of Tenafly; **Marshall L. Weingarden**, Haworth, all of NJ (US)

(73) Assignee: **ENOR Corporation**, Northvale, NJ (US)

(\*\*) Term: **14 Years**

(21) Appl. No.: **29/128,127**

(22) Filed: **Aug. 18, 2000**

(51) **LOC (7) Cl.** ..... **21-01**

(52) **U.S. Cl.** ..... **D21/423**

(58) **Field of Search** ..... D21/419, 421, D21/423-426, 435, 533, 760, 765, 771; D12/107, 110-112; 280/87.01, 87.021, 87.041, 87.042; 180/181, 216

(56) **References Cited**

**U.S. PATENT DOCUMENTS**

- D. 293,340 \* 12/1987 Heilig ..... D21/423
- D. 337,622 \* 7/1993 Schiffman ..... D21/423
- D. 435,873 \* 1/2001 Lee ..... D21/423
- D. 435,874 \* 1/2001 Cheng ..... D21/423
- 3,589,745 6/1971 Dougherty .
- 5,036,938 8/1991 Blount et al. .
- 5,183,129 2/1993 Powell .
- 5,265,695 11/1993 Piazzai .
- 5,470,089 11/1995 Whitson et al. .
- 5,692,760 12/1997 Pickering .
- 5,775,452 \* 7/1998 Patmont ..... 180/181
- 5,848,660 12/1998 McGreen .
- 5,884,922 3/1999 Pickering .

- 5,927,733 7/1999 Banda .
- 6,012,539 1/2000 Patmont .
- 6,079,726 6/2000 Fan .
- 6,085,521 7/2000 Folsom et al. .
- 6,089,586 7/2000 Rudell et al. .
- 6,120,044 \* 9/2000 Tsai ..... 280/87.041
- 6,139,035 10/2000 Tsai .
- 6,158,751 \* 12/2000 Wu ..... 280/87.041
- 6,173,976 \* 1/2001 Lee ..... 280/87.041

**OTHER PUBLICATIONS**

Citybug.com. Website Printout of Scooter Product.

\* cited by examiner

*Primary Examiner*—Raphael Barkai

(74) *Attorney, Agent, or Firm*—Weingram & Associates, P.C.

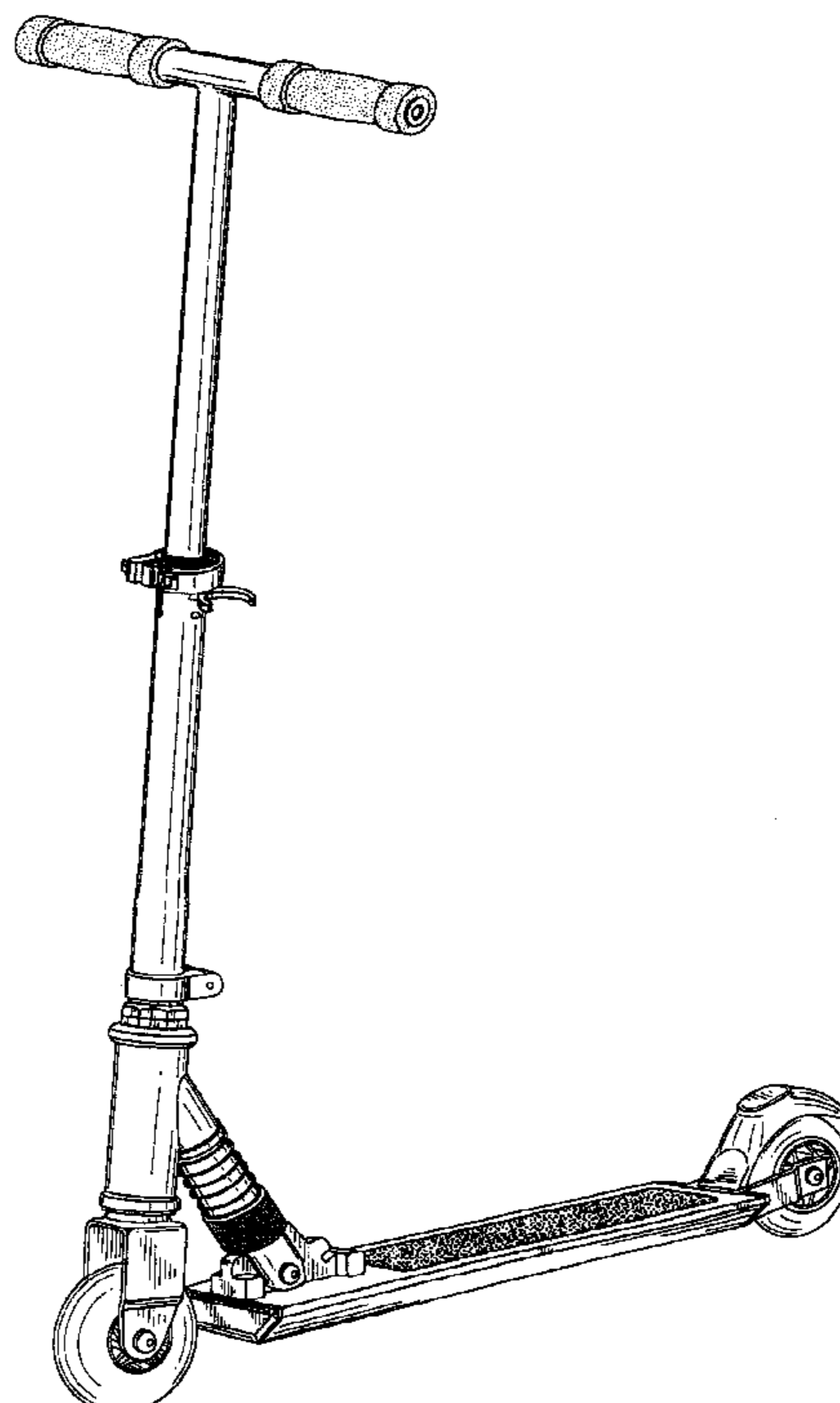
(57) **CLAIM**

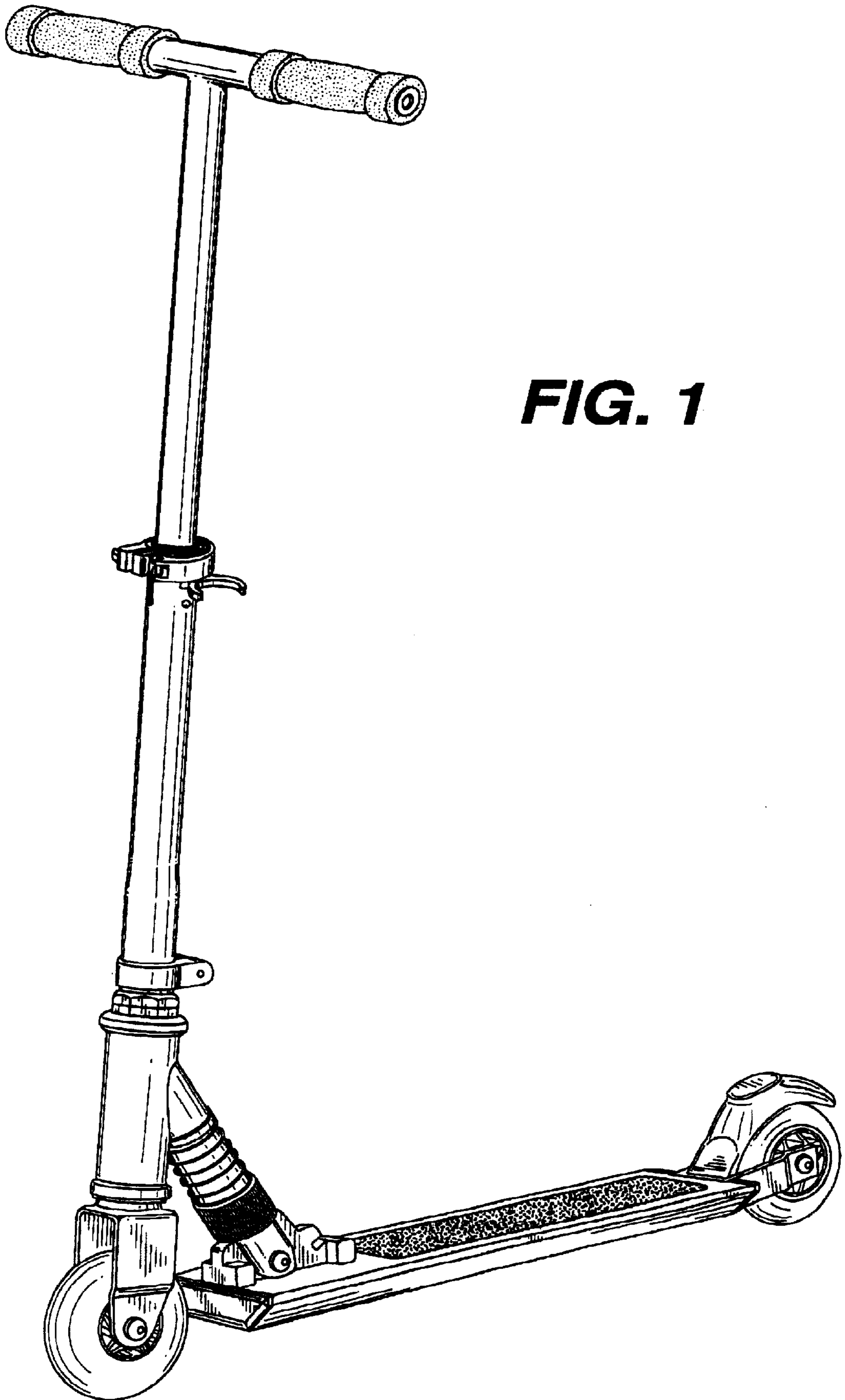
We claim the ornamental design for a scooter, as shown and described.

**DESCRIPTION**

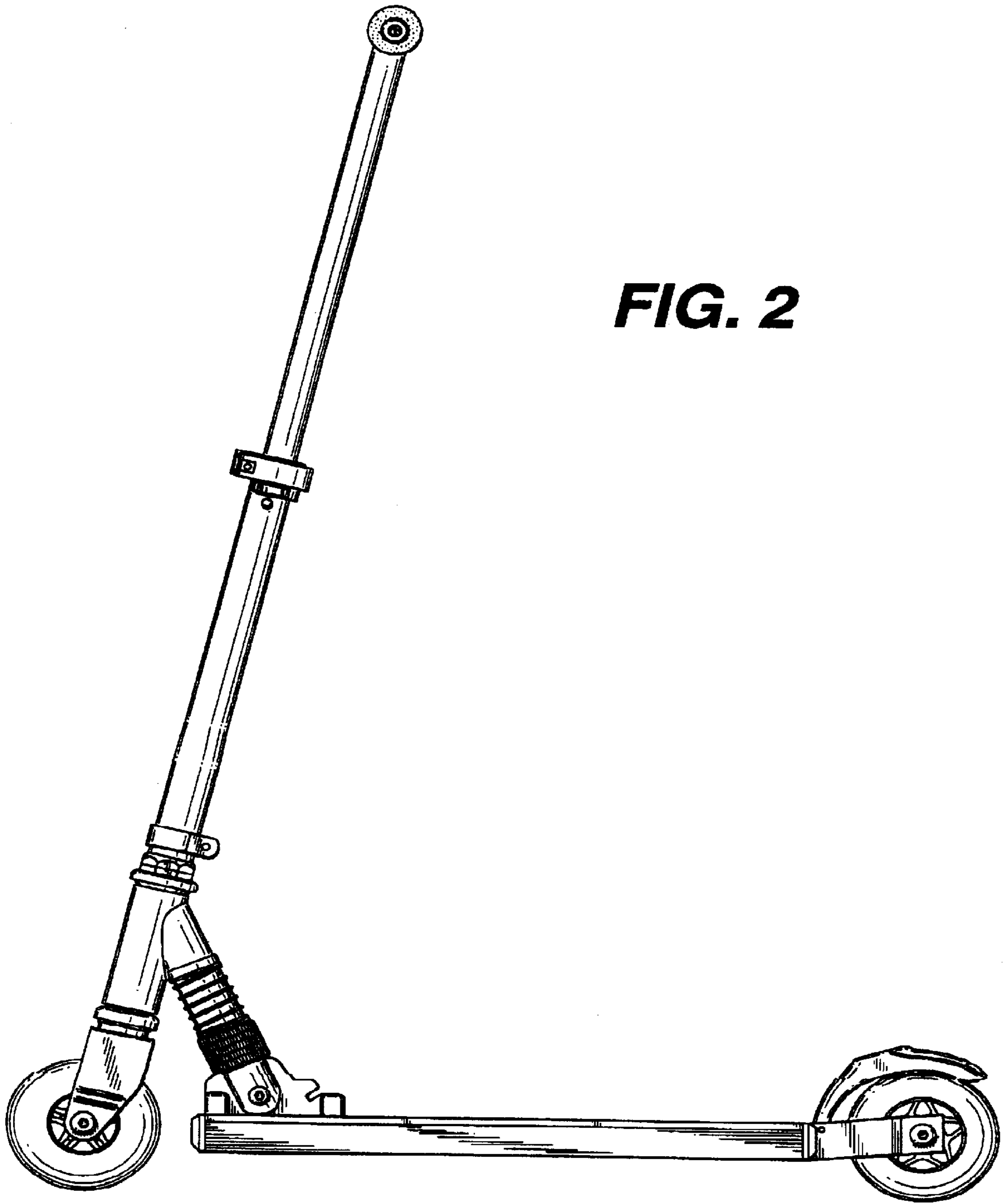
FIG. 1 is a perspective view showing my design for a scooter according to the present invention;  
 FIG. 2 is a side view thereof;  
 FIG. 3 is a side view thereof opposite to that shown in FIG. 2;  
 FIG. 4 is a front view thereof;  
 FIG. 5 is a rear view thereof;  
 FIG. 6 is a top view thereof;  
 FIG. 7 is a bottom view thereof; and,  
 FIG. 8 is a perspective view of my design being collapsed.

**1 Claim, 8 Drawing Sheets**



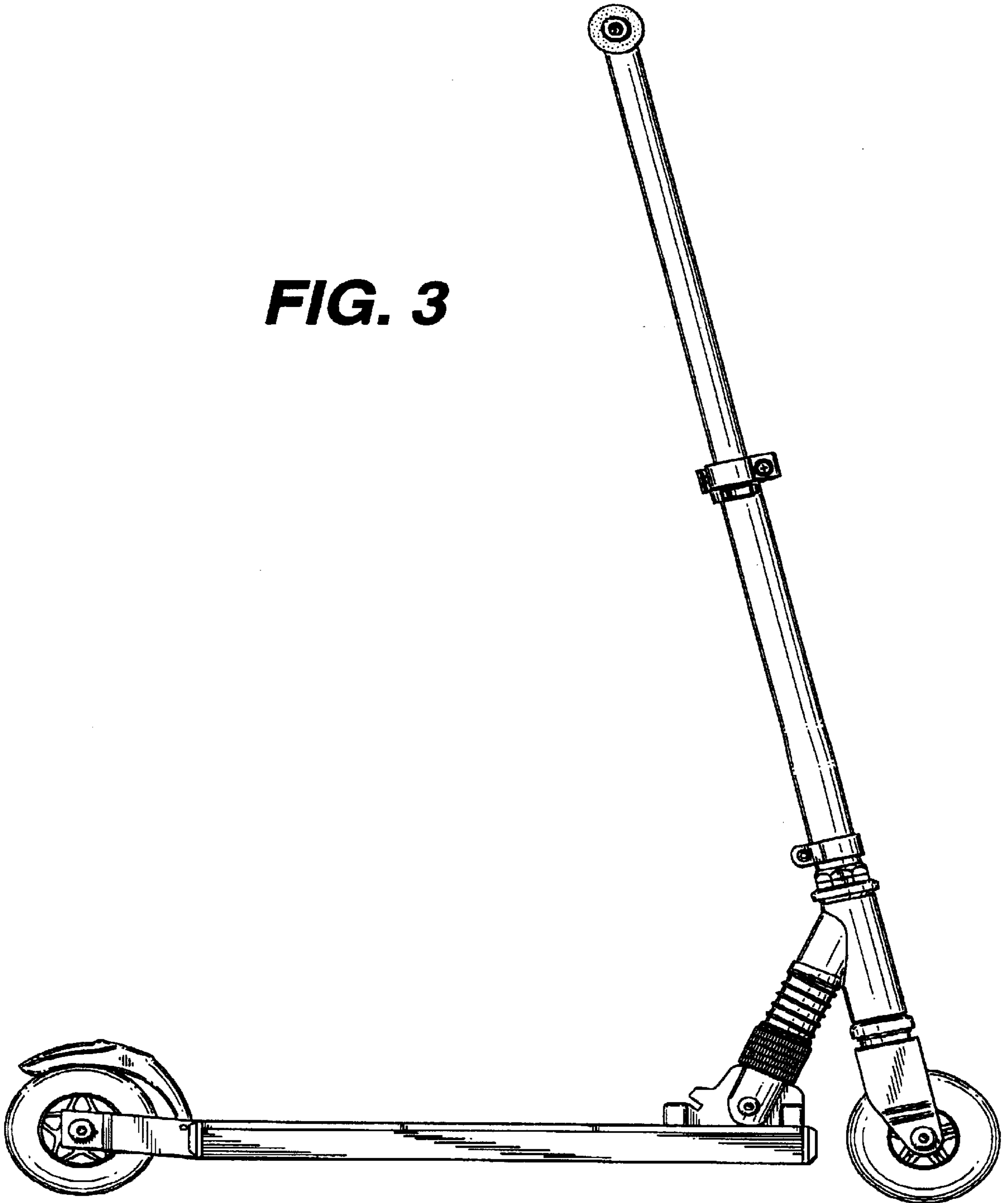


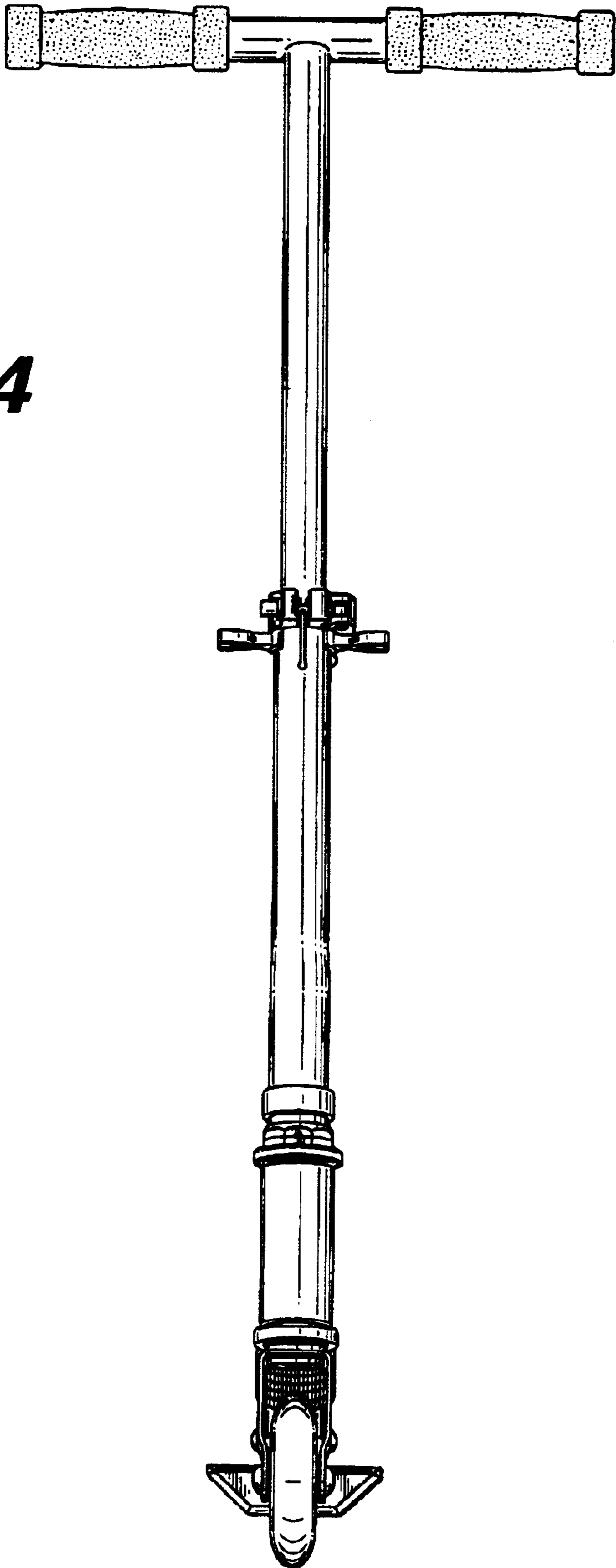
**FIG. 1**



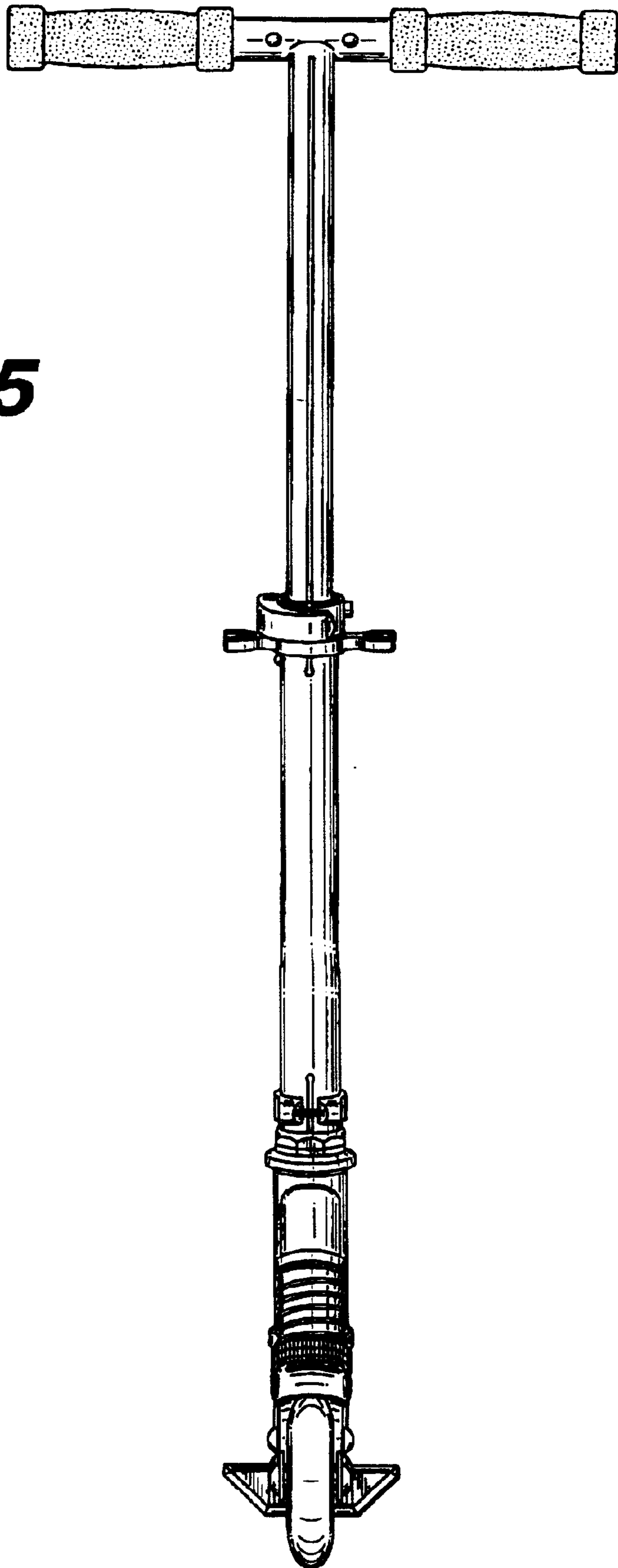
**FIG. 2**

**FIG. 3**



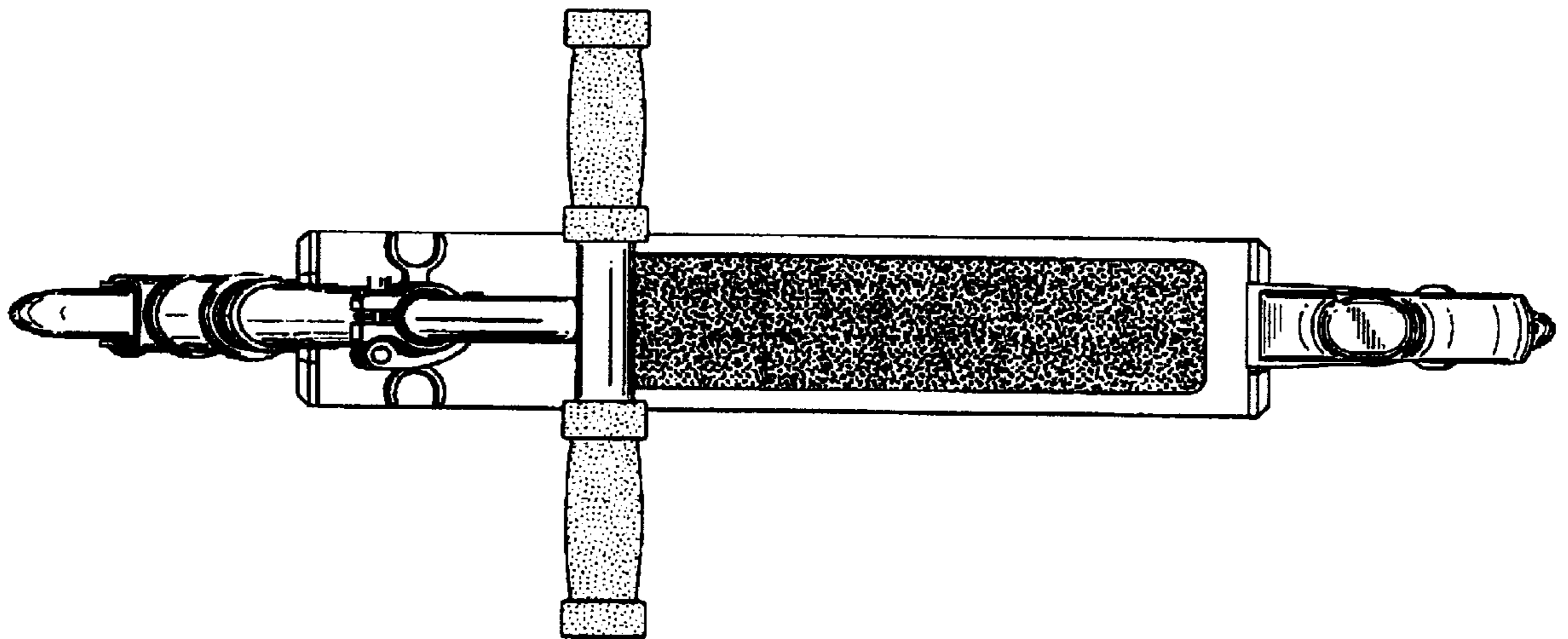


**FIG. 4**

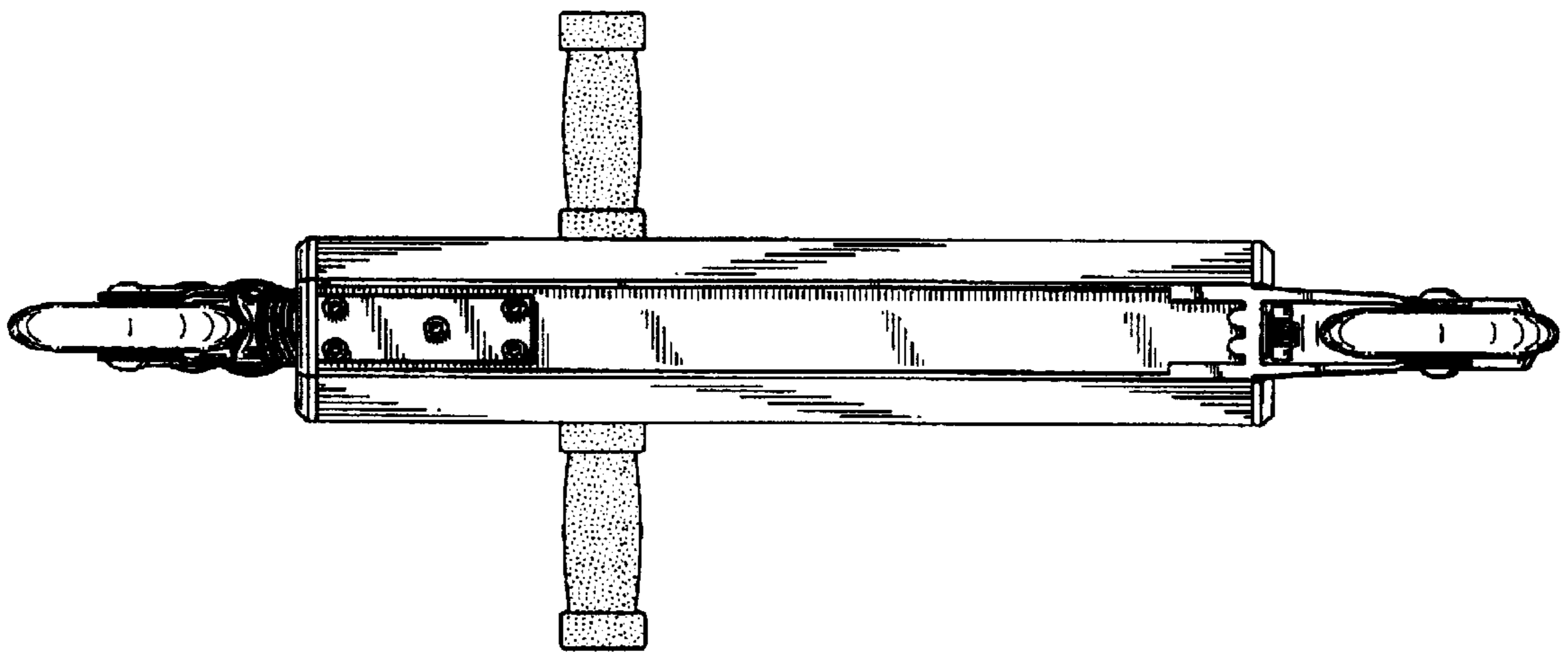


**FIG. 5**

**FIG. 6**



**FIG. 7**





**FIG. 8**

