



US00D444820S

(12) **United States Design Patent**
Knaub et al.

(10) **Patent No.:** **US D444,820 S**

(45) **Date of Patent:** **** Jul. 10, 2001**

(54) **CLAMP FOR ATTACHING A COMPUTER GAME CONTROLLER TO A DESKTOP**

GRAND PRIX 1 Racing Wheel product marketing flyer, Jun. 1996, Thrustmaster, Inc., Hillsboro, Oregon.

(75) Inventors: **David R. Knaub; Philip A. Frank; Jason E. Denner**, all of Portland, OR (US)

* cited by examiner

Primary Examiner—M. H. Tung
(74) *Attorney, Agent, or Firm*—Marger Johnson & McCollom P.C.

(73) Assignee: **Guillemot Corporation**, La Gacilly Cedex (FR)

(57) **CLAIM**

(**) Term: **14 Years**

The ornamental design for a clamp for attaching a computer game controller to a desktop, as shown and described.

(21) Appl. No.: **29/088,528**

DESCRIPTION

(22) Filed: **May 26, 1998**

Cross-reference is made to commonly-assigned design application U.S. Ser. No. 29/088,527, filed on even date herewith, for clamp for attaching a computer game controller to a desktop, and utility application U.S. Ser. No. 09/085,338, filed on even date herewith for controller for games or simulation programs with clamp for desktop mounting.

(51) **LOC (7) Cl.** **14-02**

(52) **U.S. Cl.** **D21/333**

(58) **Field of Search** D14/114; D21/324-33; D8/72, 73; 24/455, 459, 457, 530; 248/229.1, 229.15; 345/156-67

FIG. 1 is a top, front, left perspective view of a clamp for attaching a computer game controller to a desktop, showing our new design.

(56) **References Cited**

U.S. PATENT DOCUMENTS

- D. 347,841 * 6/1994 Rossman et al. .
- D. 367,477 * 2/1996 Rosen .
- D. 376,970 * 12/1996 Drake .
- D. 391,148 * 2/1998 Rosen .
- D. 391,945 * 3/1998 Rosen .
- D. 417,377 * 12/1999 Blank et al. .
- 5,727,188 * 3/1998 Hayes .

FIG. 2 is a rear elevational view thereof;

FIG. 3 is a front elevational view thereof;

FIG. 4 is a top plan view thereof;

FIG. 5 is a left side elevational view thereof, the right side is a mirror image; and,

FIG. 6 is a bottom plan view thereof.

The broken line drawing of a portion of the steering wheel controller and desktop in FIGS. 1, 2-6 is for illustrative purposes only and forms no part of the claimed design.

OTHER PUBLICATIONS

FORMULA T2 product marketing flyer, Feb. 1995, Thrustmaster, Inc., Hillsboro, Oregon.

1 Claim, 2 Drawing Sheets

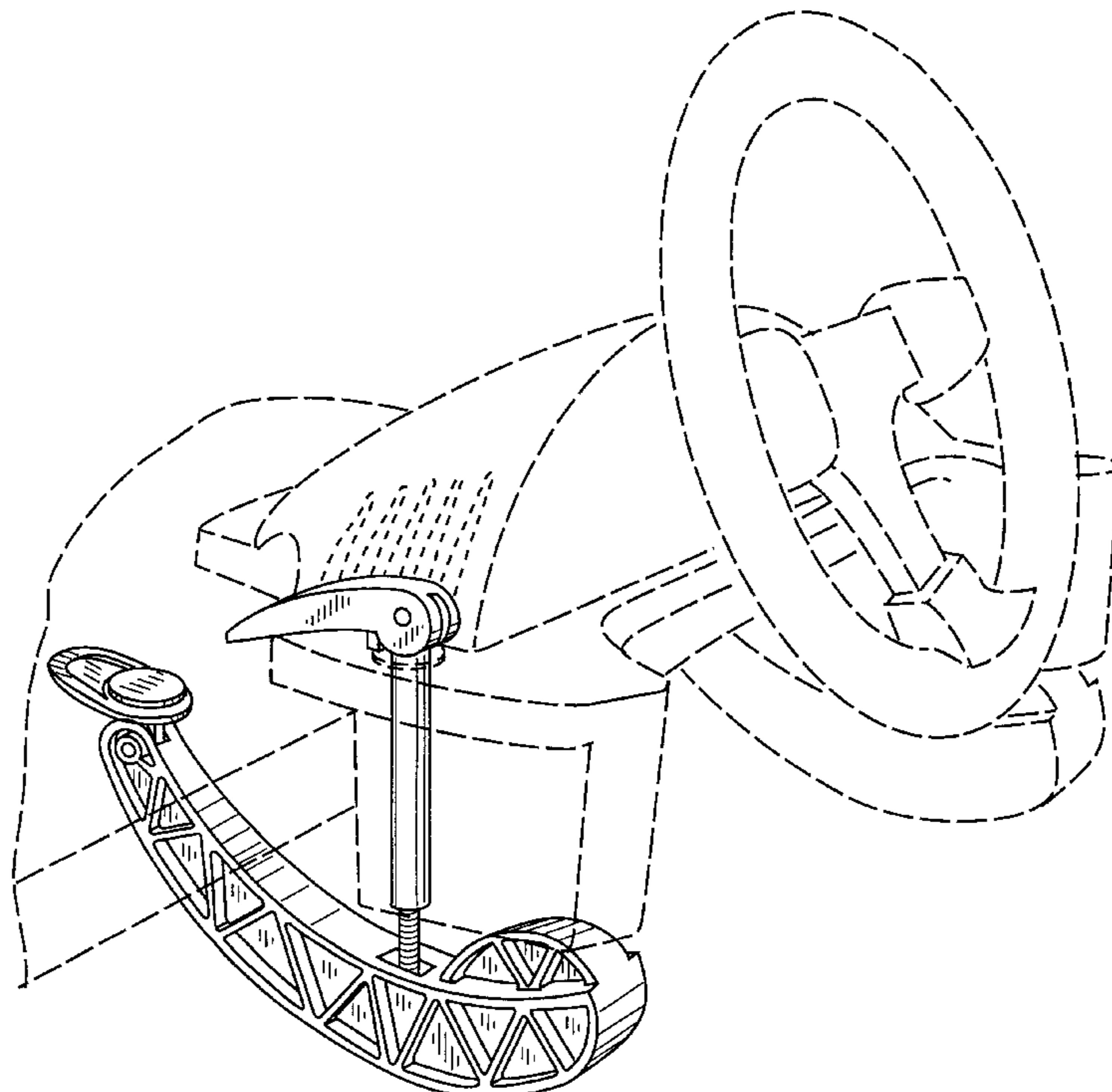


FIG. 1

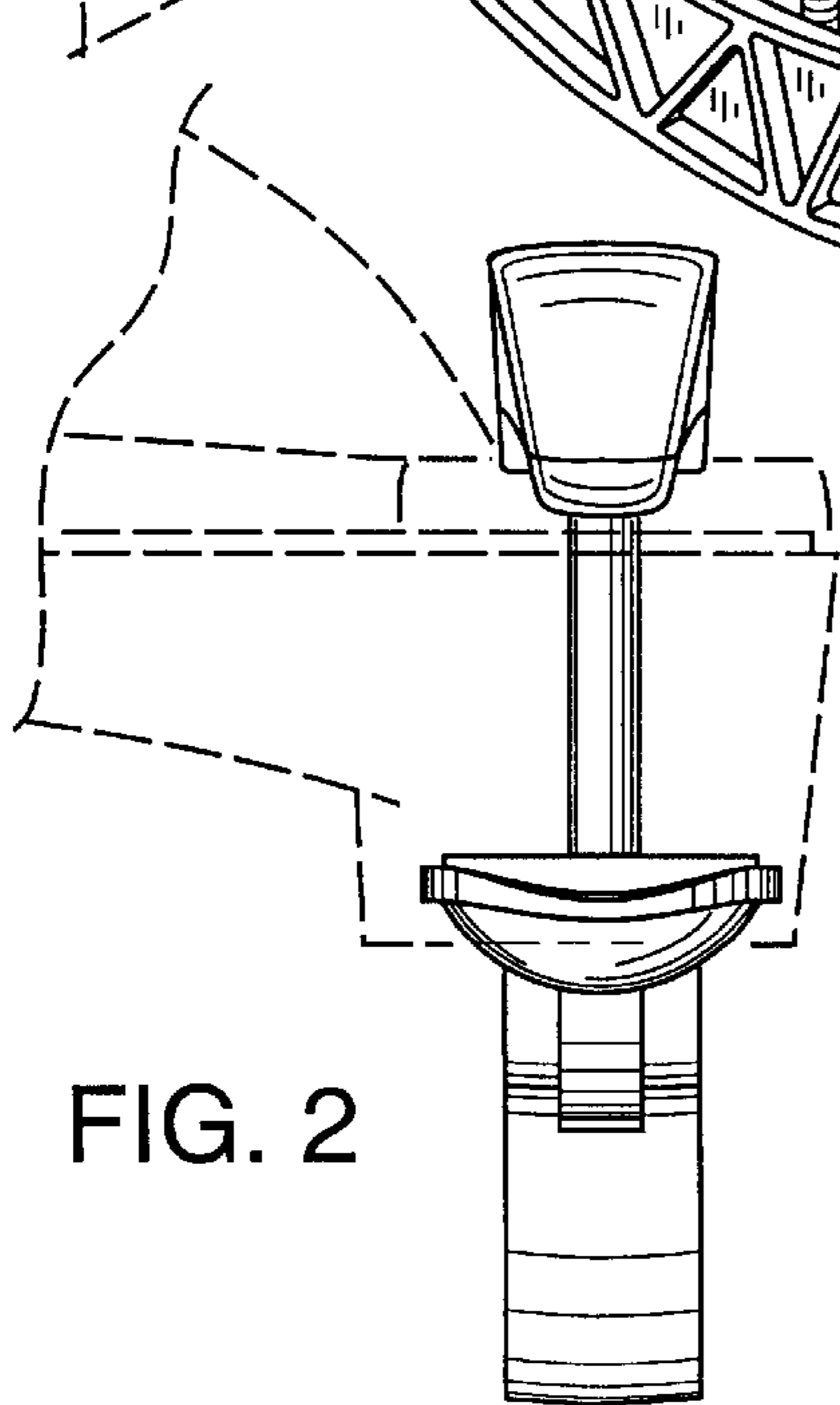
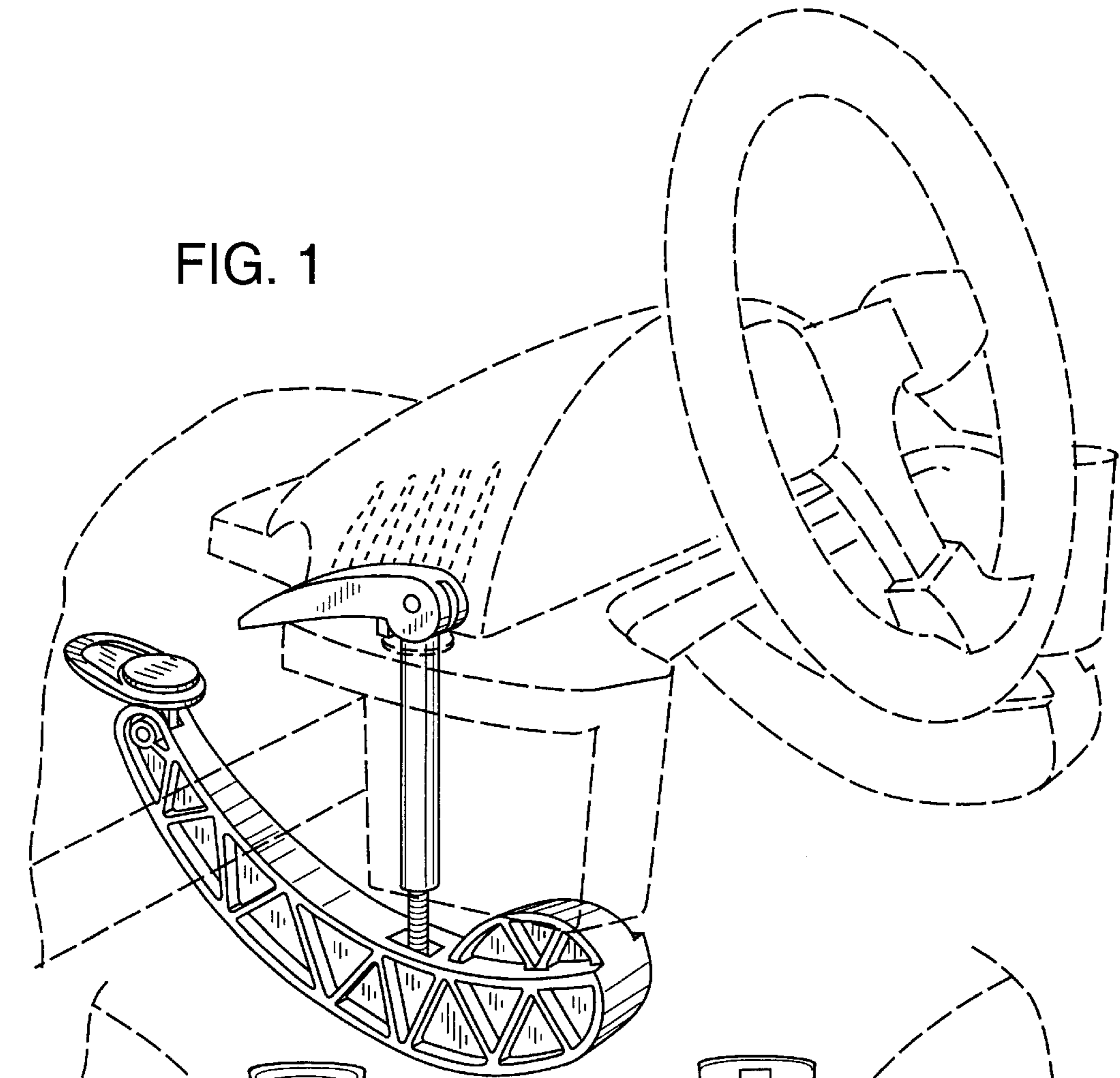


FIG. 2

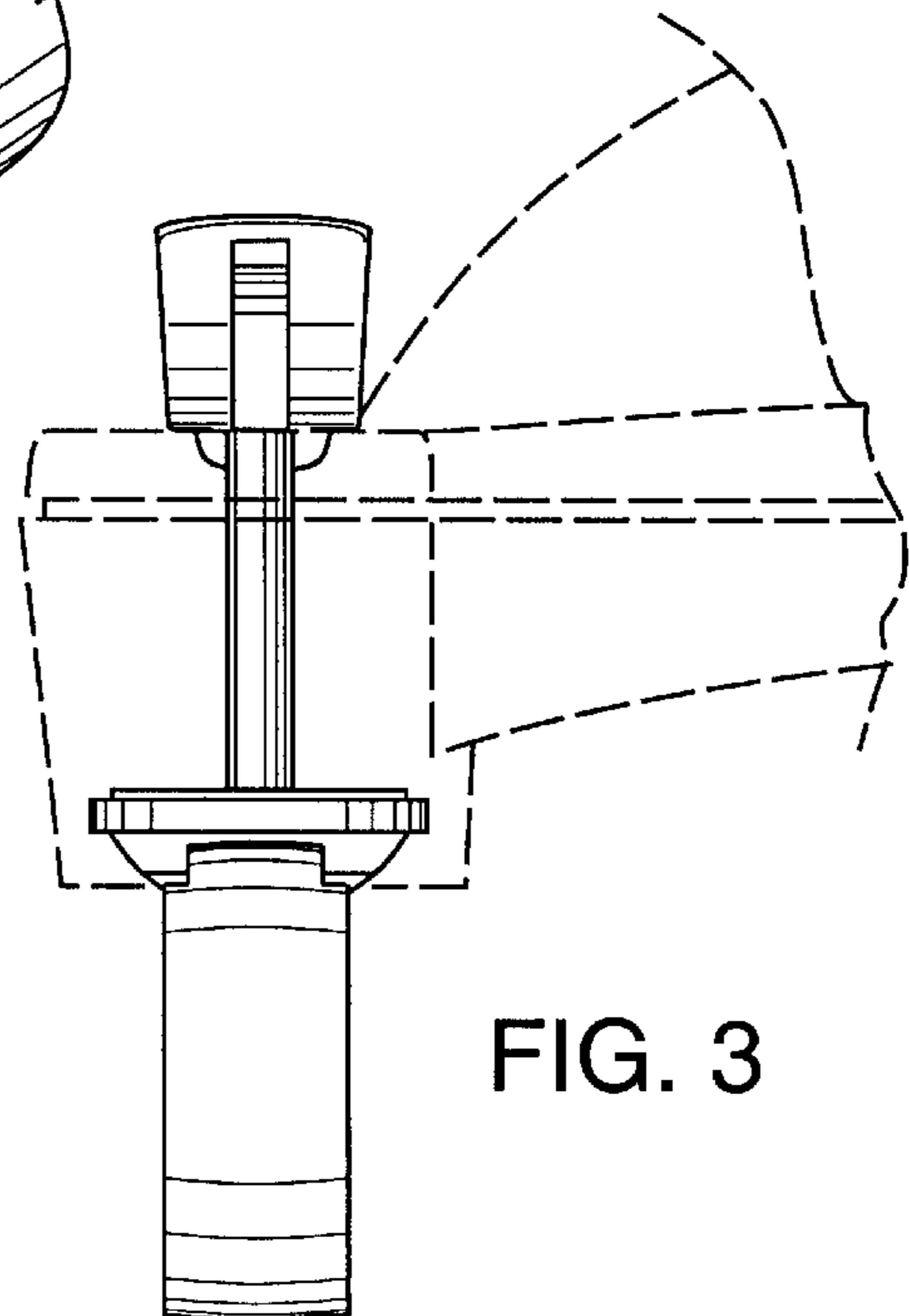


FIG. 3

FIG. 4

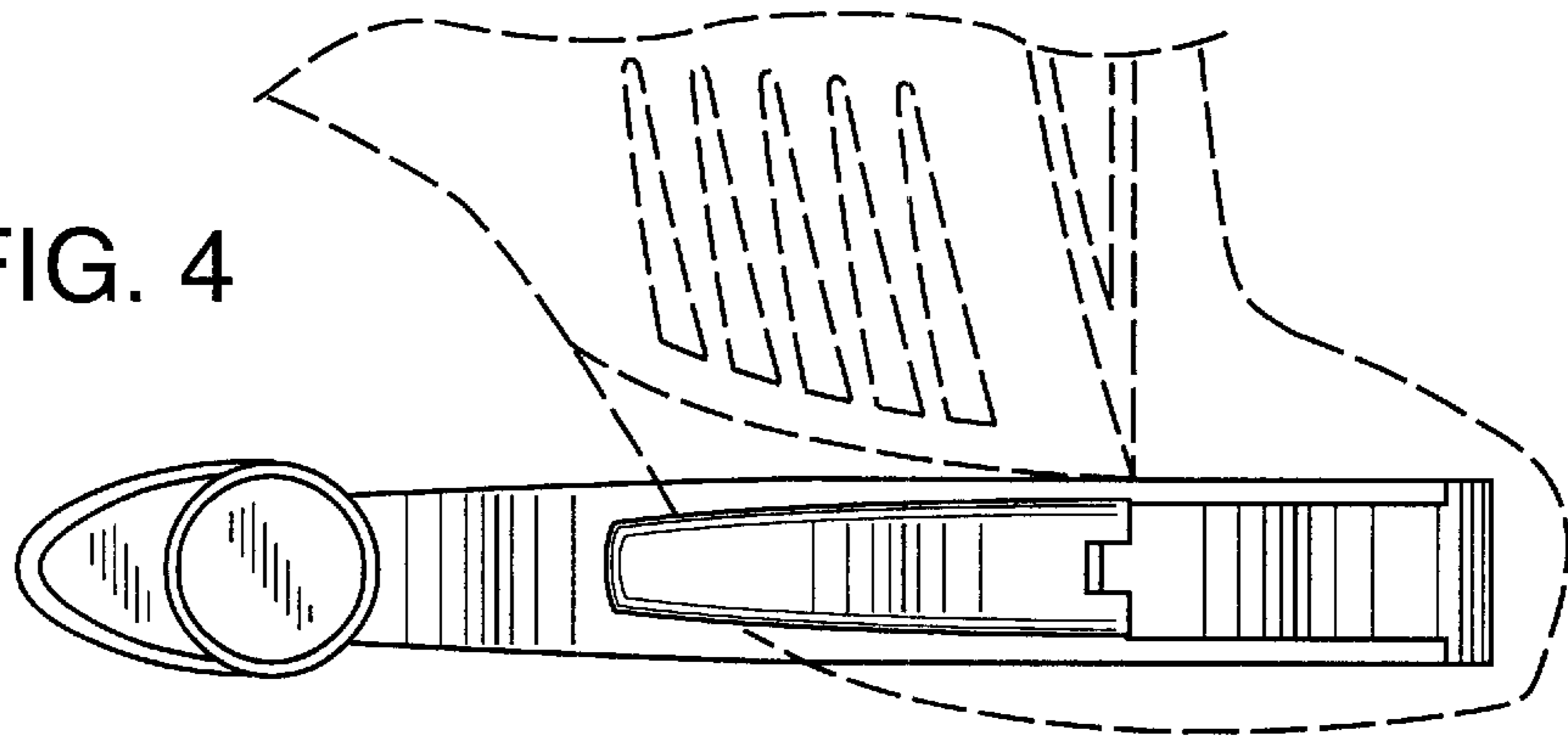


FIG. 5

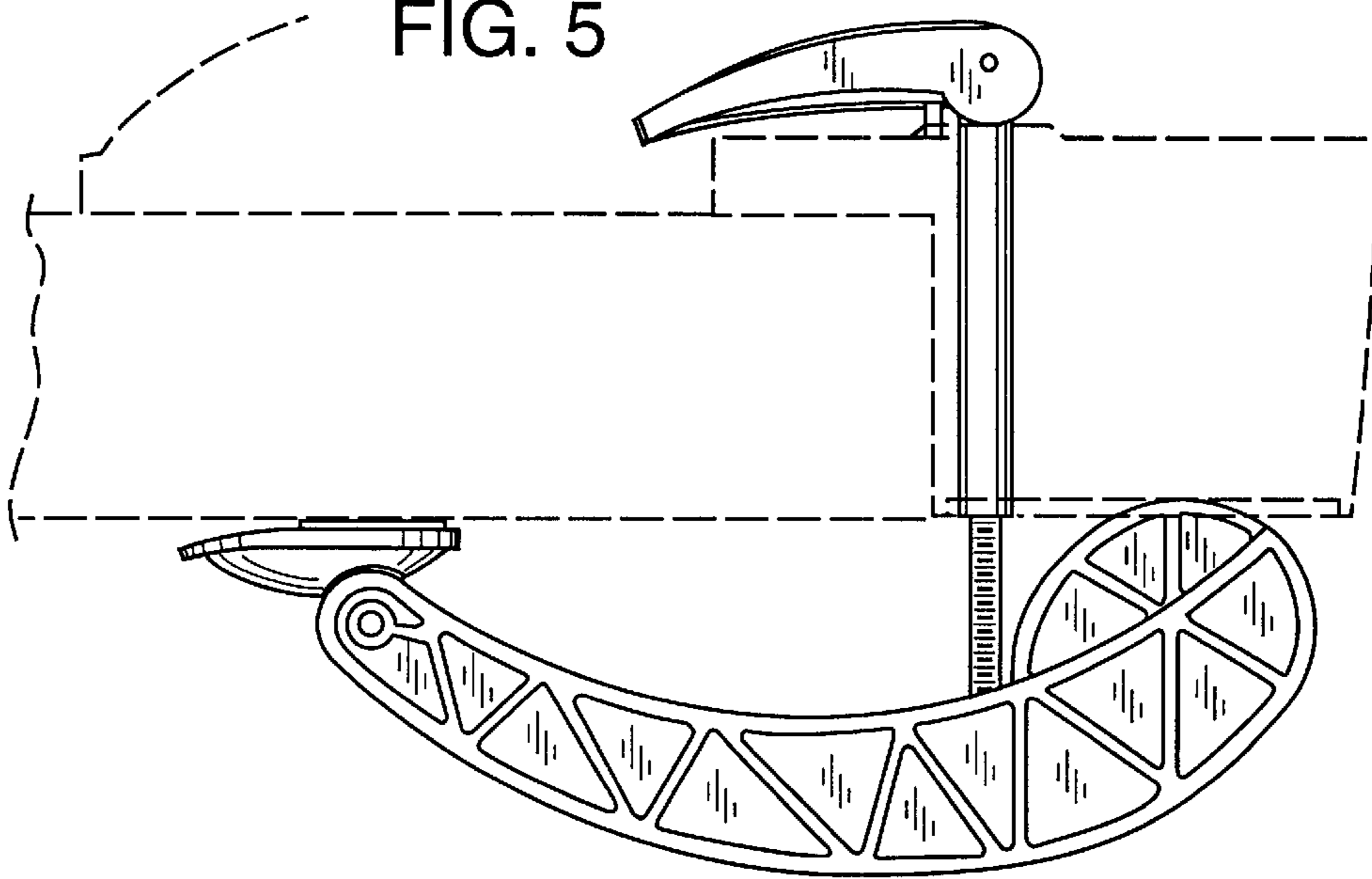


FIG. 6

