



US00D444818S

(12) **United States Design Patent**  
**Fullalove**

(10) **Patent No.:** **US D444,818 S**

(45) **Date of Patent:** **\*\* Jul. 10, 2001**

(54) **DRESS FORM**

(75) Inventor: **Kenneth Henry Fullalove**, Bath (GB)

(73) Assignee: **Adjustoform Products Ltd.**, Ashford (GB)

(\*\*) Term: **14 Years**

(21) Appl. No.: **29/089,396**

(22) Filed: **Jun. 12, 1998**

(51) **LOC (7) Cl.** ..... **20-01**

(52) **U.S. Cl.** ..... **D20/31**

(58) **Field of Search** ..... 223/66, 67, 69,  
223/68; D20/10, 29, 31, 32; 40/538

(56) **References Cited**

**U.S. PATENT DOCUMENTS**

D. 217,195	*	4/1970	Burrell	.....	D20/32
D. 242,092	*	11/1976	Levin	.....	D20/31
D. 277,397	*	1/1985	Arthur	.....	D20/31
D. 330,918	*	11/1992	Tranquilli	.....	D20/31
1,221,522	*	4/1917	Farquharson	.....	223/68

\* cited by examiner

*Primary Examiner*—Susan J. Lucas

*Assistant Examiner*—Jennifer Rivard

(74) *Attorney, Agent, or Firm*—Clark & Brody

(57) **CLAIM**

I claim the ornamental design for a dress form, as shown and described.

**DESCRIPTION**

FIG. 1 is a perspective view of a dress form, showing my new design;

FIG. 2 is a rear view thereof;

FIG. 3 is a right side view thereof;

FIG. 4 is a left side view thereof;

FIG. 5 is a top view thereof;

FIG. 6 is a bottom view thereof;

FIG. 7 is a front perspective view showing the dress form partially open; and,

FIG. 8 is an enlarged view of the adjuster of the dress form.

The broken lines are shown for illustrative purposes only and form no part of the claimed design. The indicia has been omitted from the adjusters in FIGS. 1–7 and 7 for convenience of illustration.

**1 Claim, 5 Drawing Sheets**

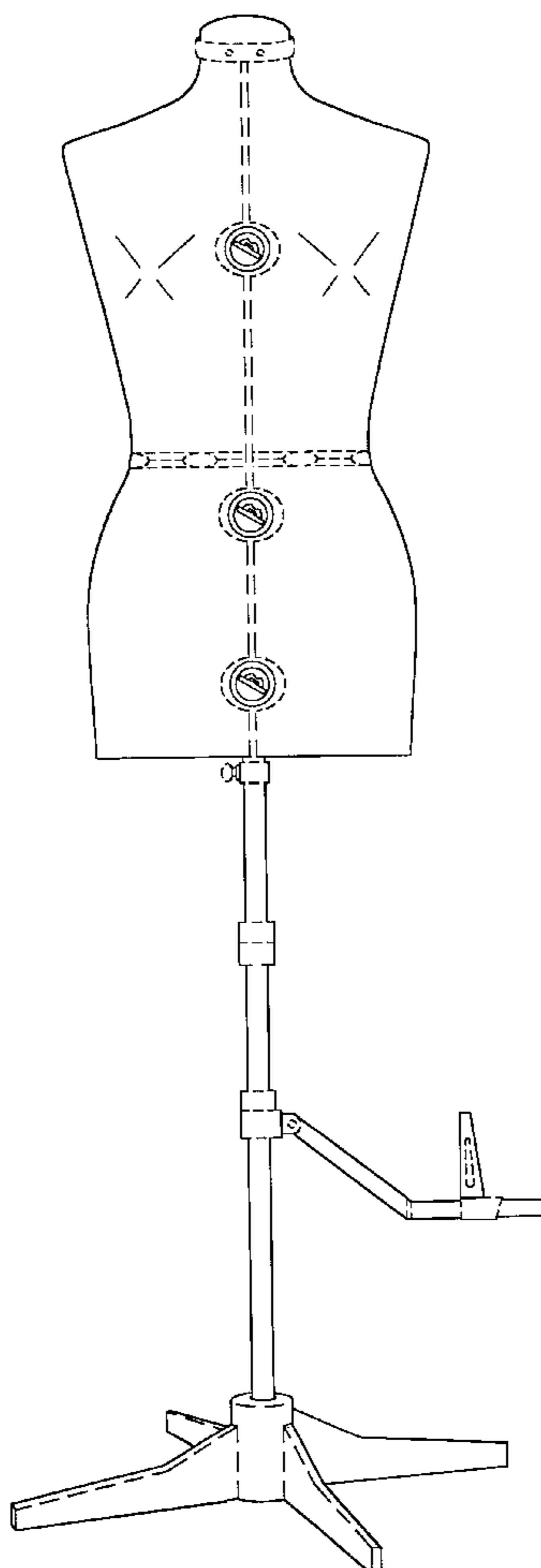


FIG. 1

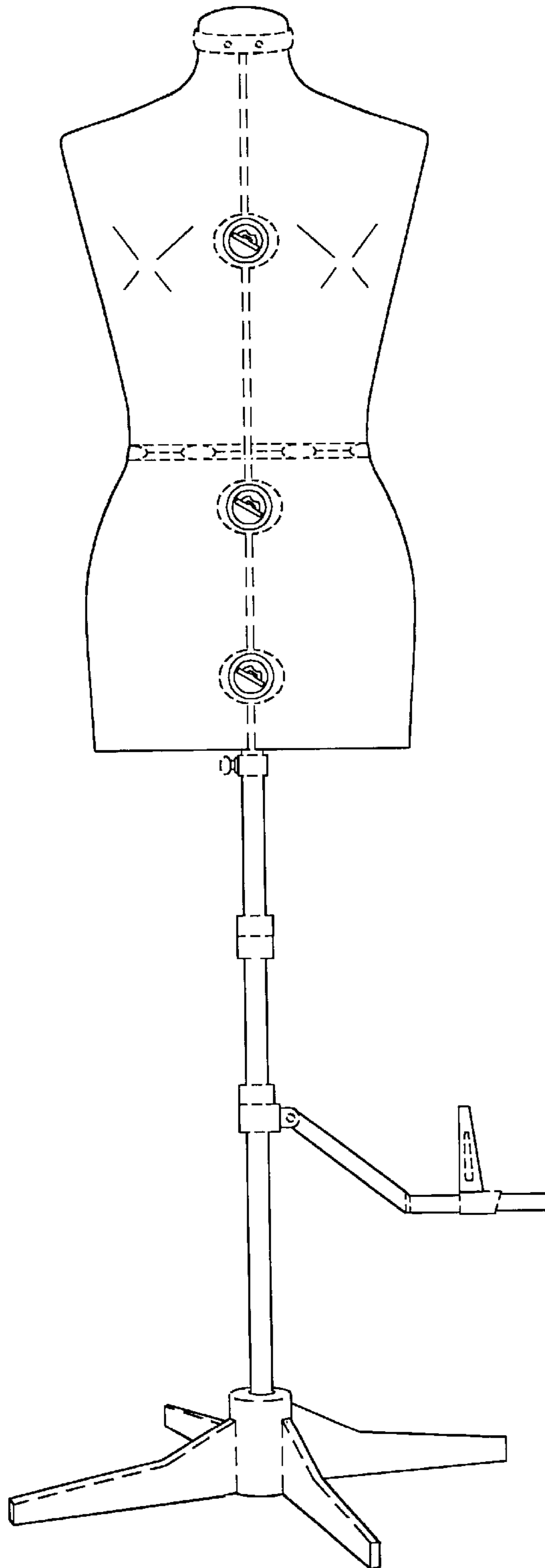


FIG. 2

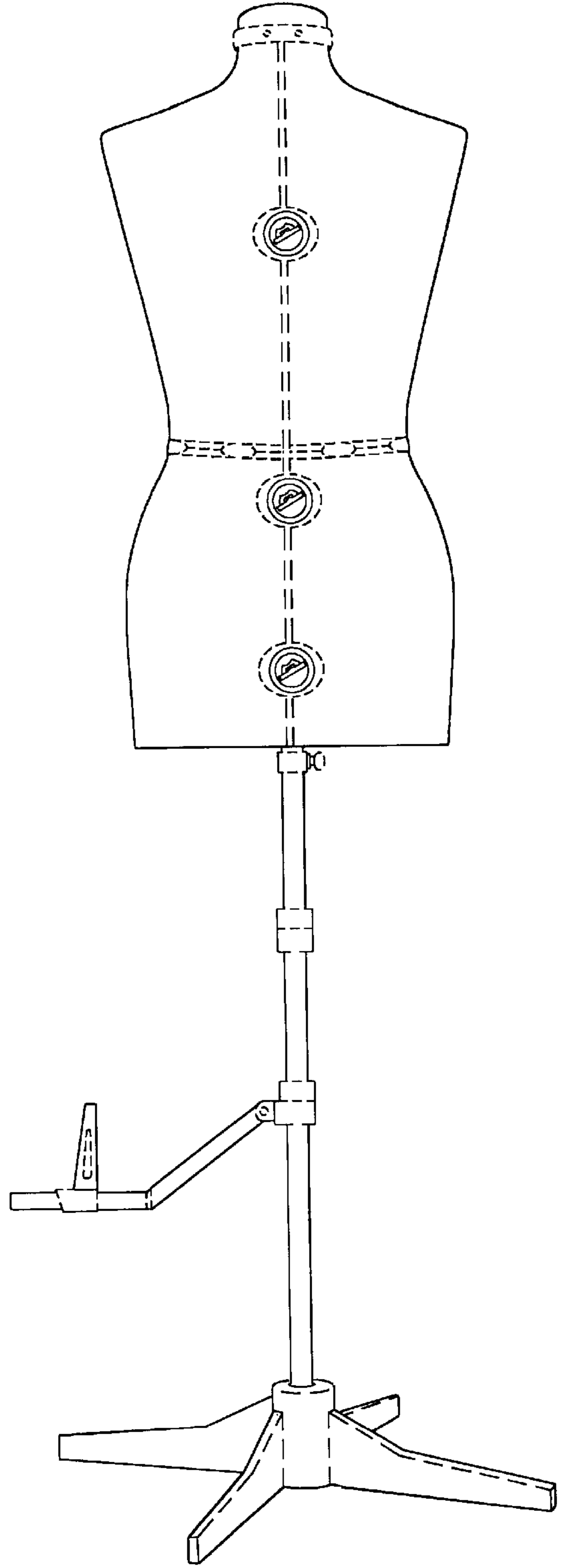


FIG. 3

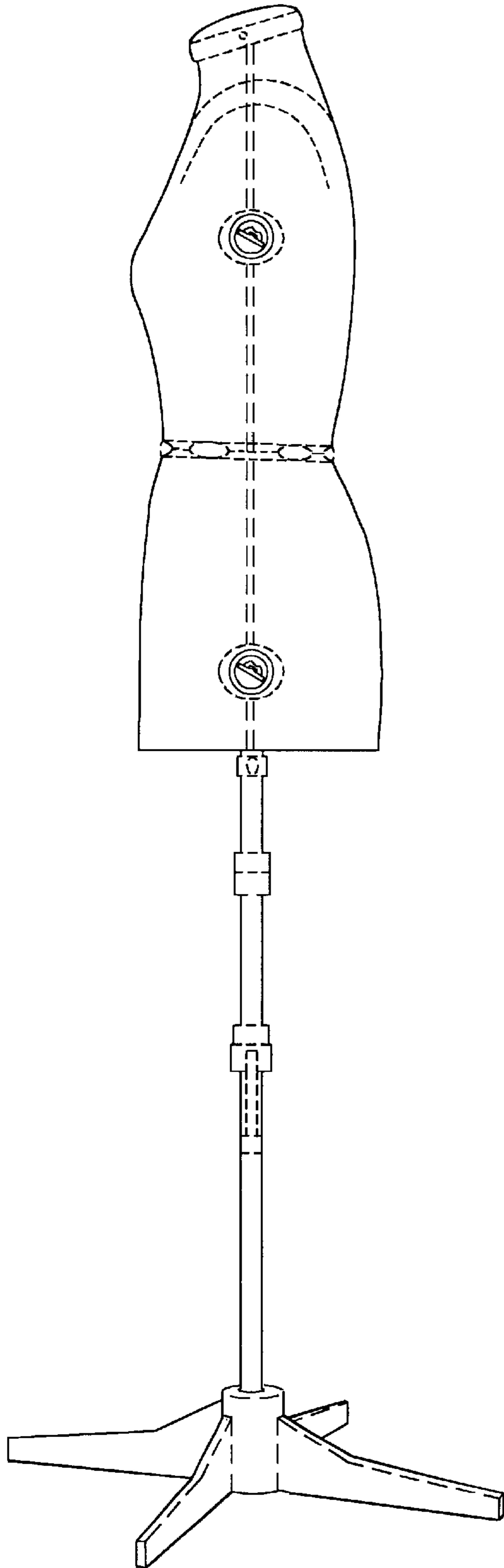


FIG. 4

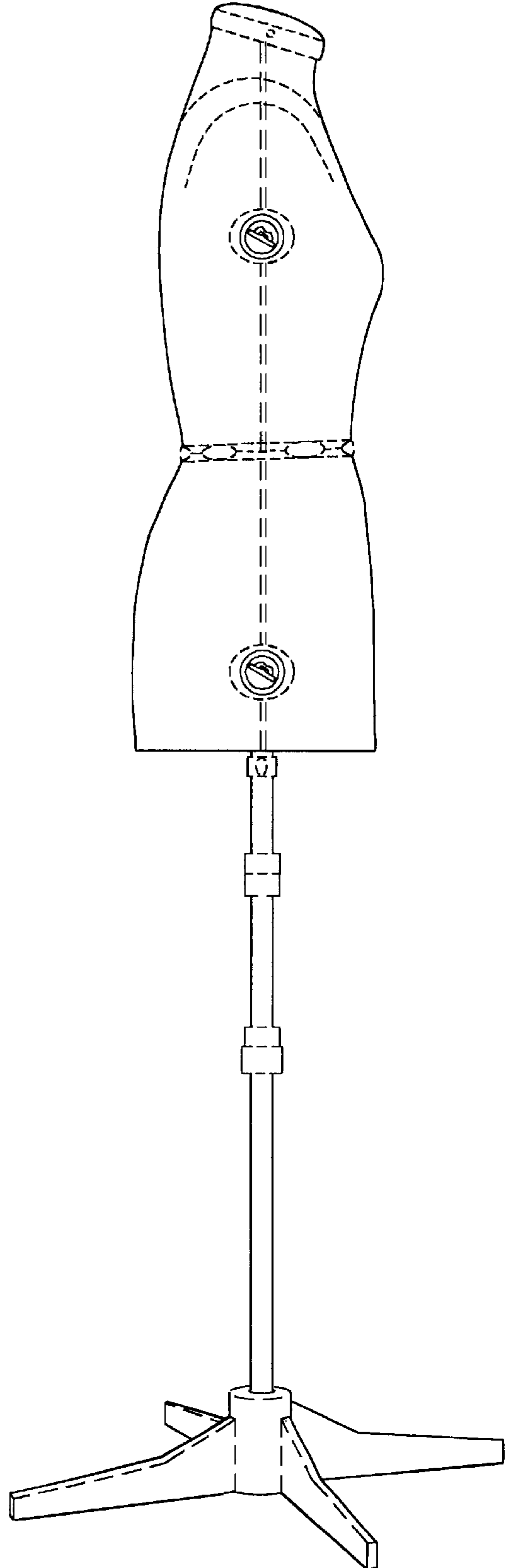


FIG. 5

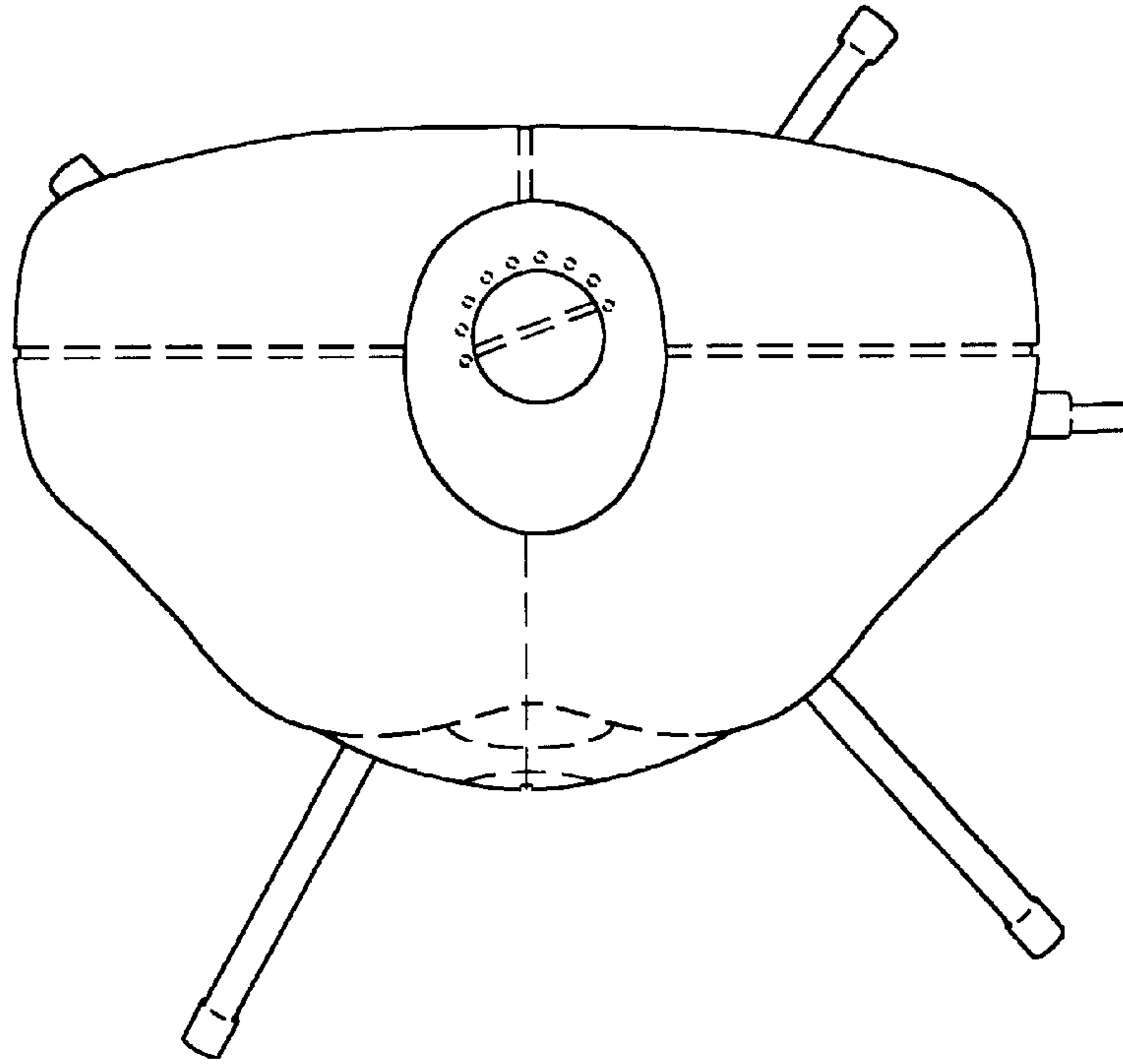


FIG. 6

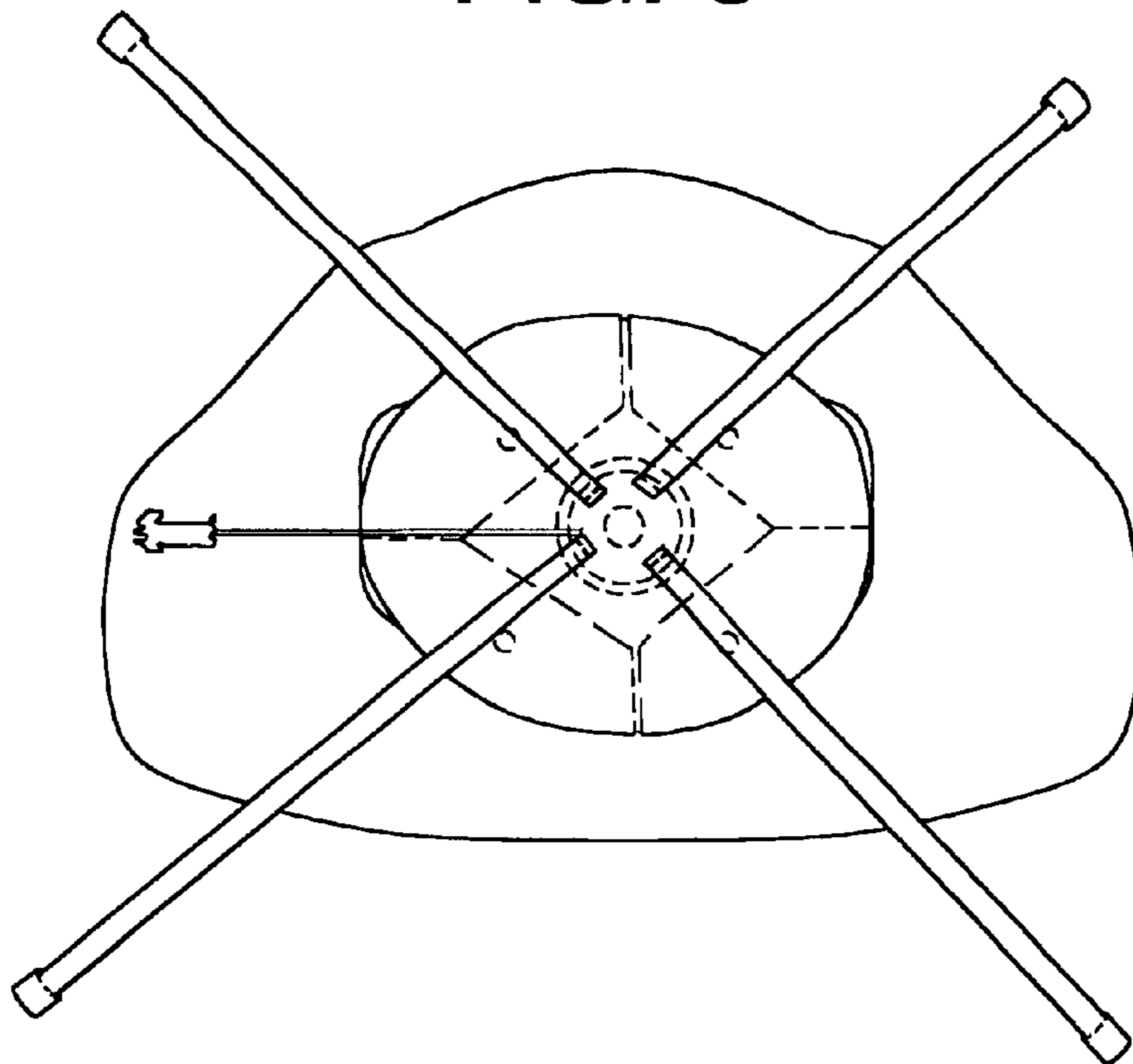


FIG. 7

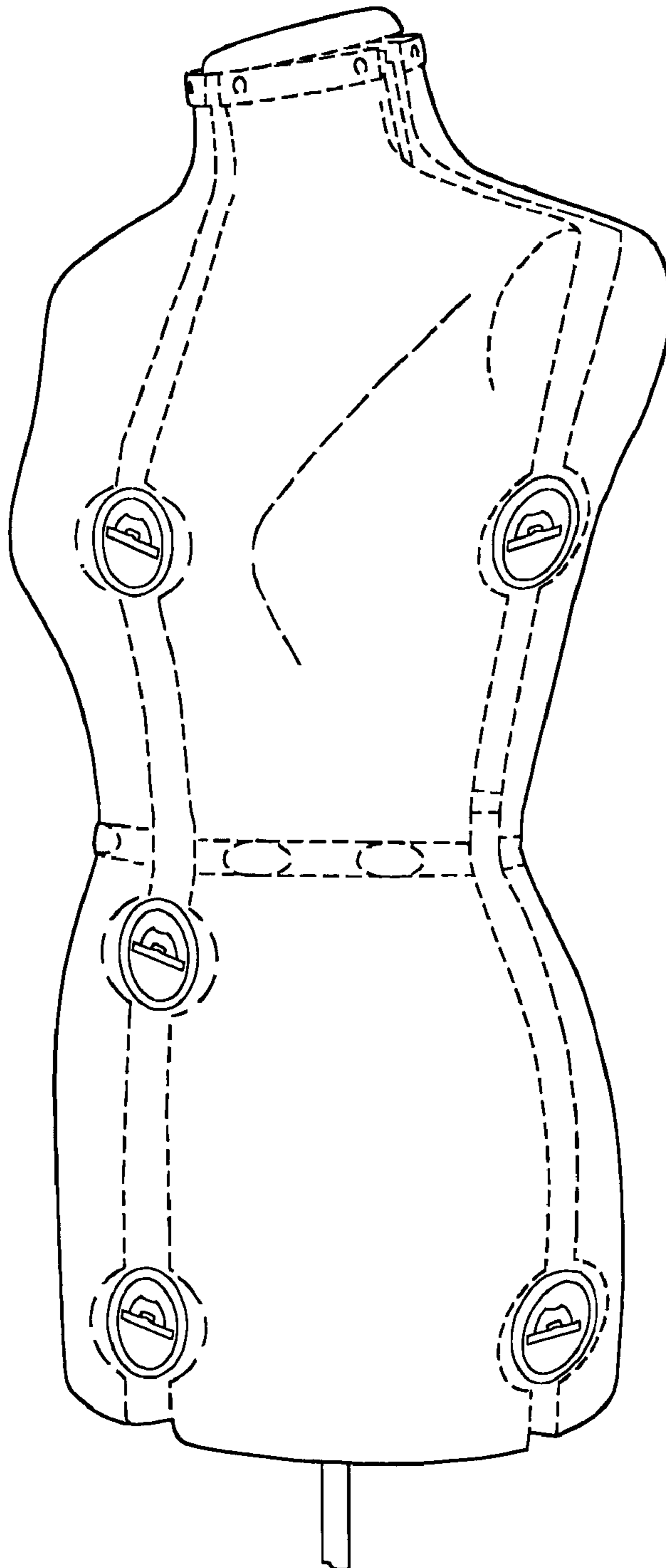


FIG. 8

