



US00D444816S

(12) **United States Design Patent**
Stravitz

(10) **Patent No.:** **US D444,816 S**

(45) **Date of Patent:** **** Jul. 10, 2001**

(54) **SINGLE COMPARTMENT RACK**

(76) **Inventor:** **David M. Stravitz**, 16 Park Ave. -
Suite 14A, New York, NY (US) 10016

(**) **Term:** **14 Years**

(21) **Appl. No.:** **29/128,031**

(22) **Filed:** **Aug. 16, 2000**

(51) **LOC (7) Cl.** **19-02**

(52) **U.S. Cl.** **D19/90; D19/86; D6/475**

(58) **Field of Search** **D6/470, 475, 476,**
D6/512; D19/75, 77, 78, 81-85, 86, 90,
91; 211/10, 11, 13.1, 45, 50; 206/425, 214

(56) **References Cited**

U.S. PATENT DOCUMENTS

D. 97,820	*	12/1935	Felton	D19/90
D. 106,425	*	10/1937	Connor	D19/90
D. 110,269	*	6/1938	Churchill	D19/90
D. 197,001	*	12/1963	Tashner	D6/475
D. 330,474	*	10/1992	Liptak	D6/475
D. 387,384	*	12/1997	Meyer	D19/90
3,279,811	*	10/1966	Mitty et al.	D19/90 X

OTHER PUBLICATIONS

Miller's Office Products, c 1997, see circled item "J" upper right corner, p. 467.*

* cited by examiner

Primary Examiner—Martie K. Holtje
(74) *Attorney, Agent, or Firm*—Frishauf, Holtz, Goodman, Langer & Chick, P.C.

(57) **CLAIM**

The ornamental design for a single compartment rack, as shown.

DESCRIPTION

FIG. 1 is a top, front, right-side perspective view of a single compartment rack showing my new design; FIG. 2 is a front elevational view thereof; FIG. 3 is a top plan view thereof; FIG. 4 is a left side elevational view thereof; FIG. 5 is a rear elevational view thereof; and, FIG. 6 is a bottom plan view thereof.

1 Claim, 2 Drawing Sheets

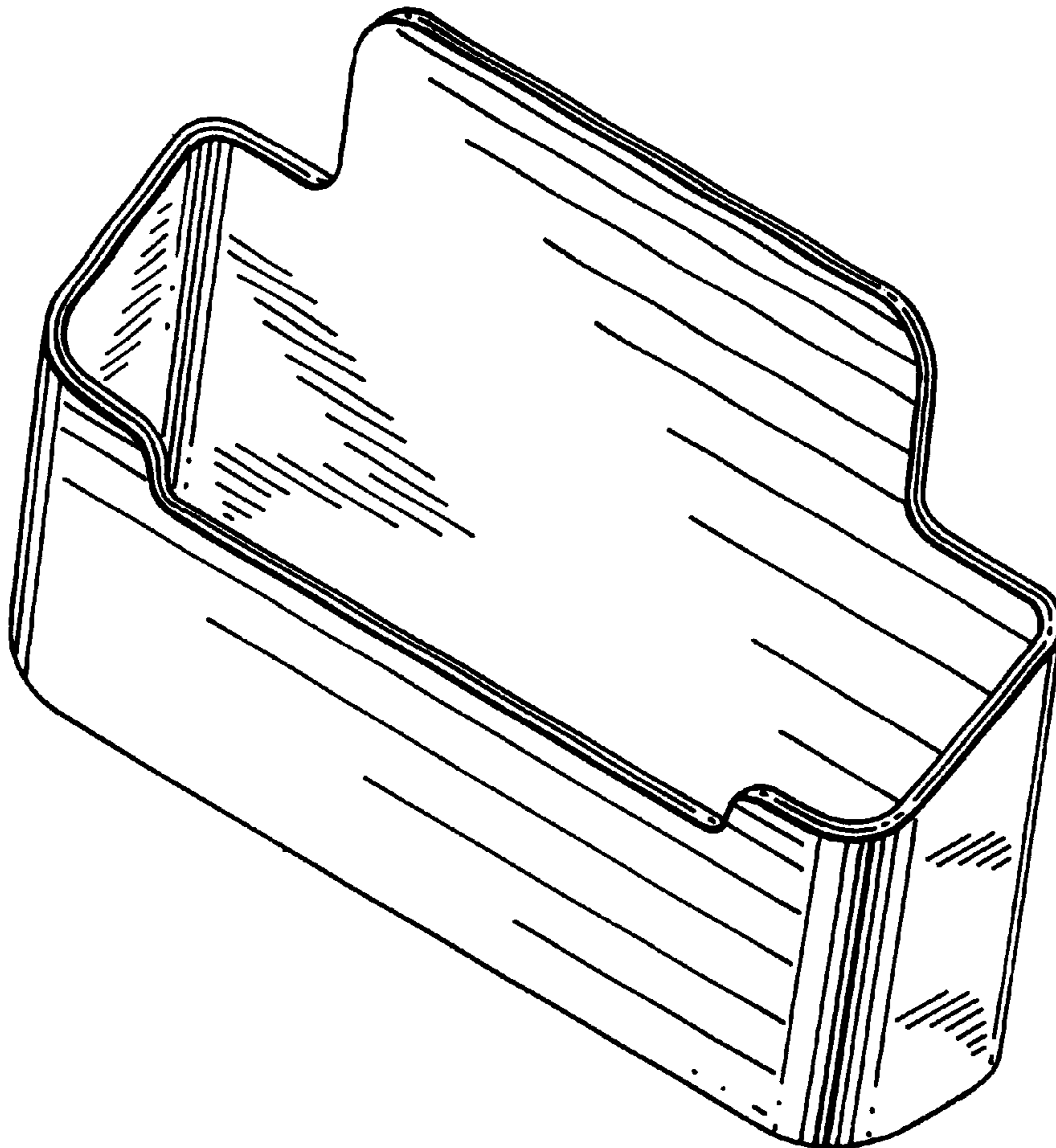


FIG. 1

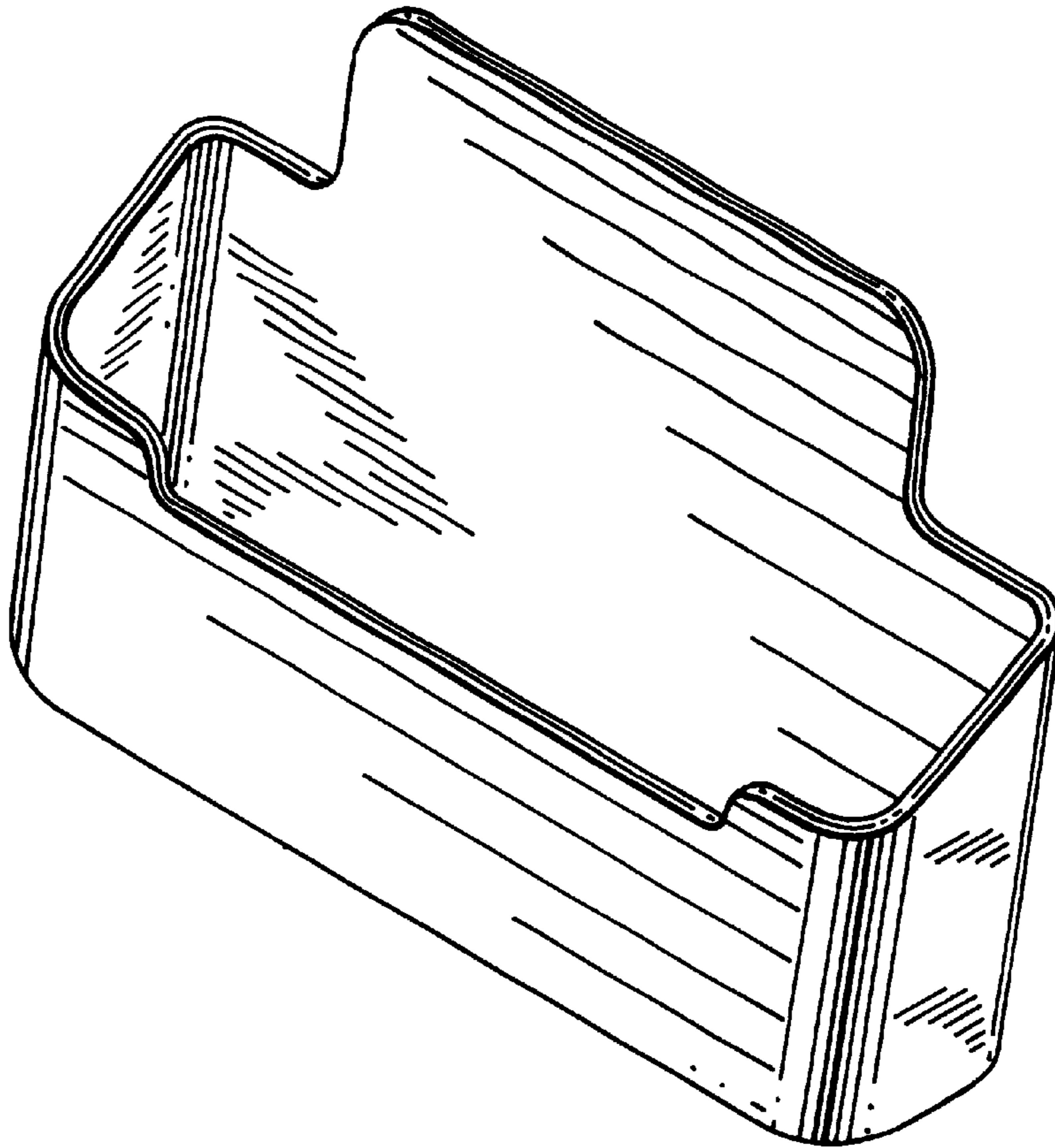


FIG. 2

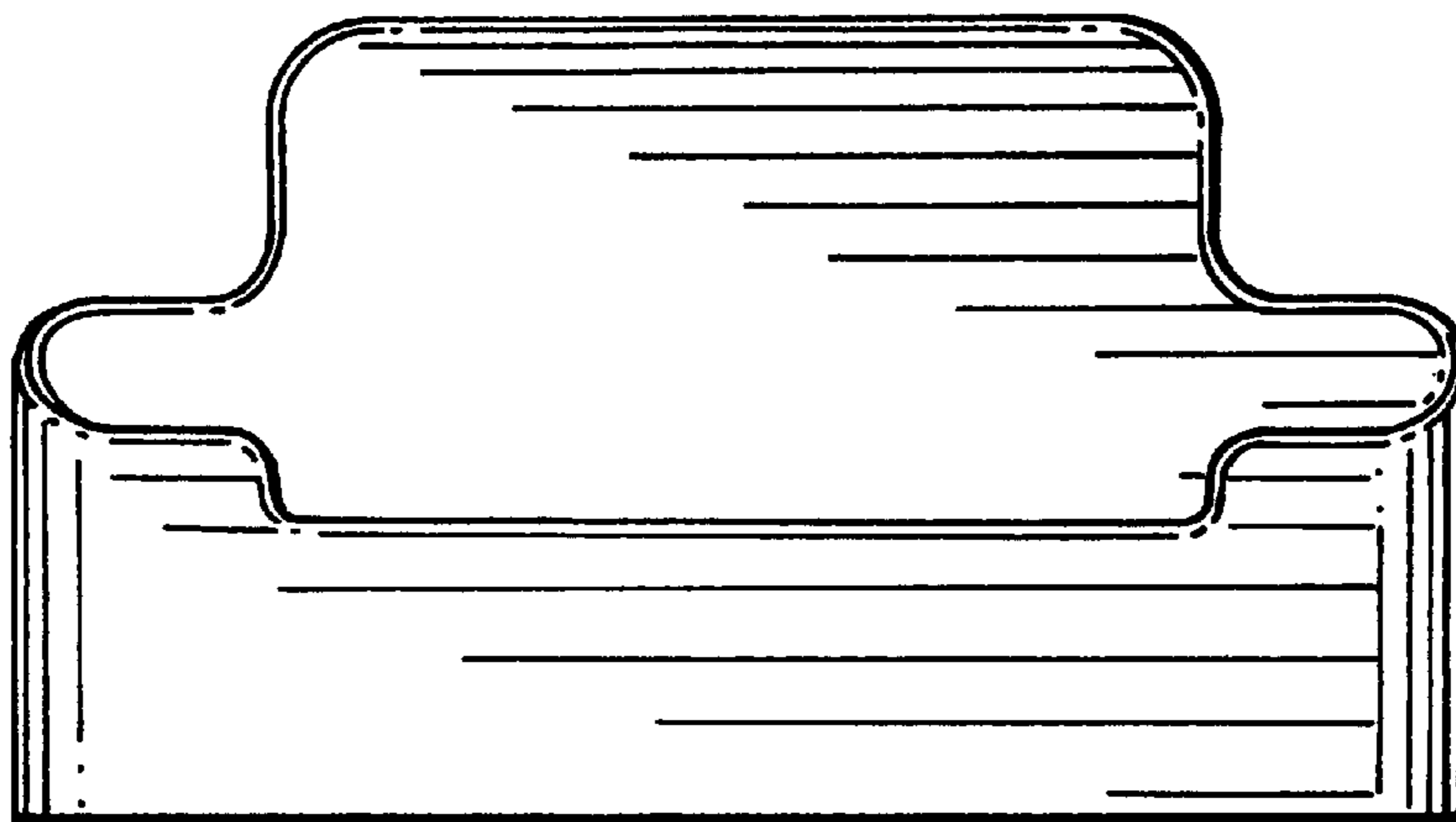


FIG. 3

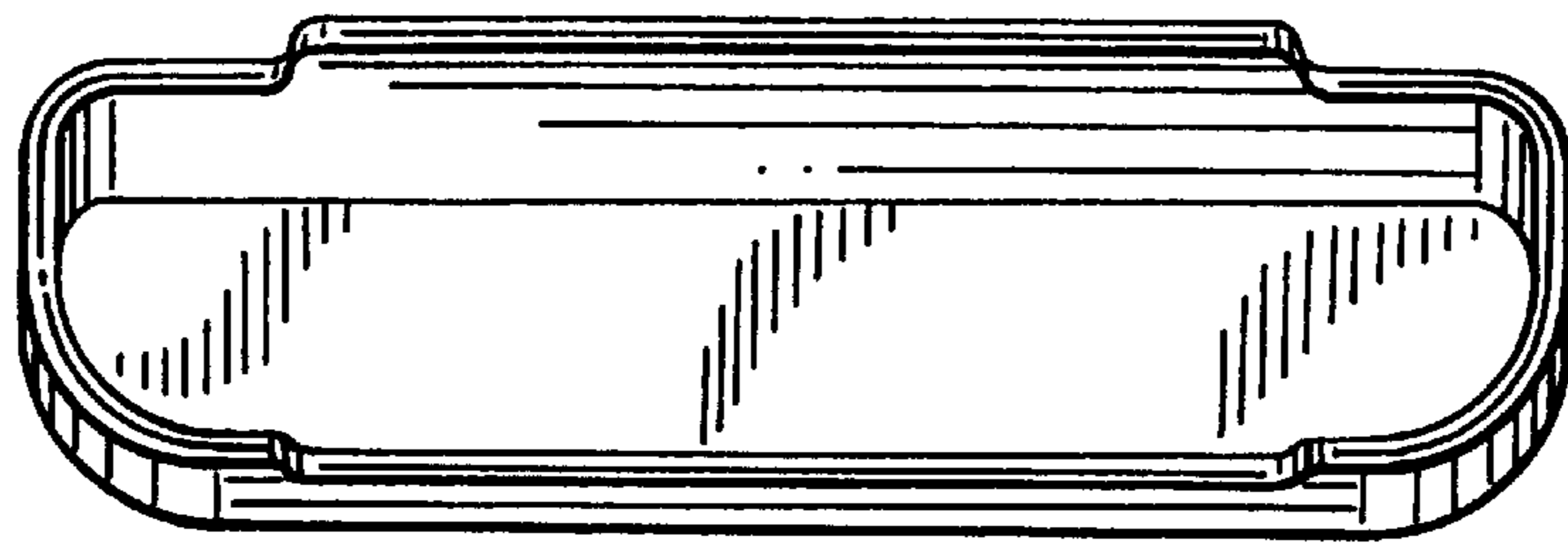


FIG. 4

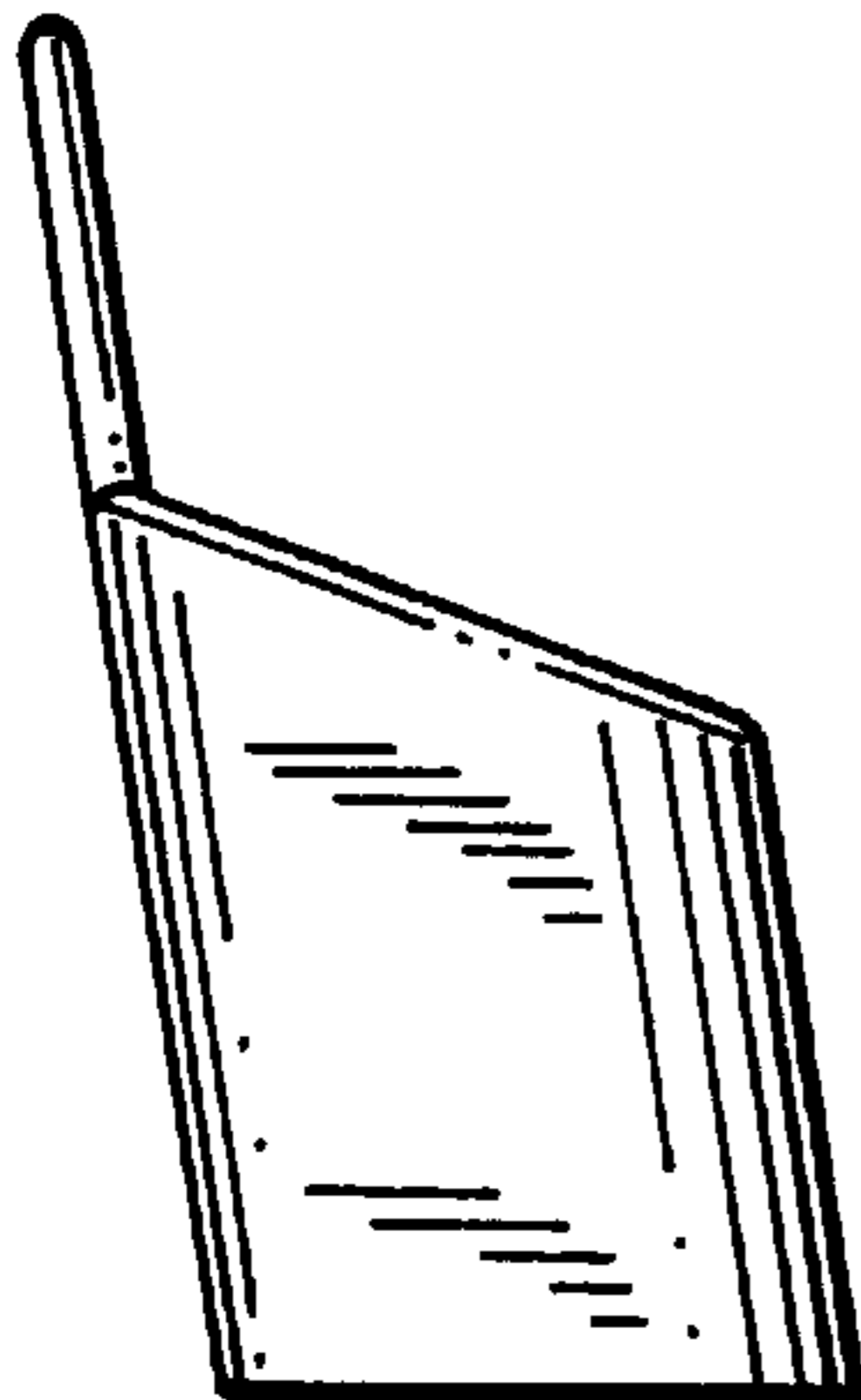


FIG. 5

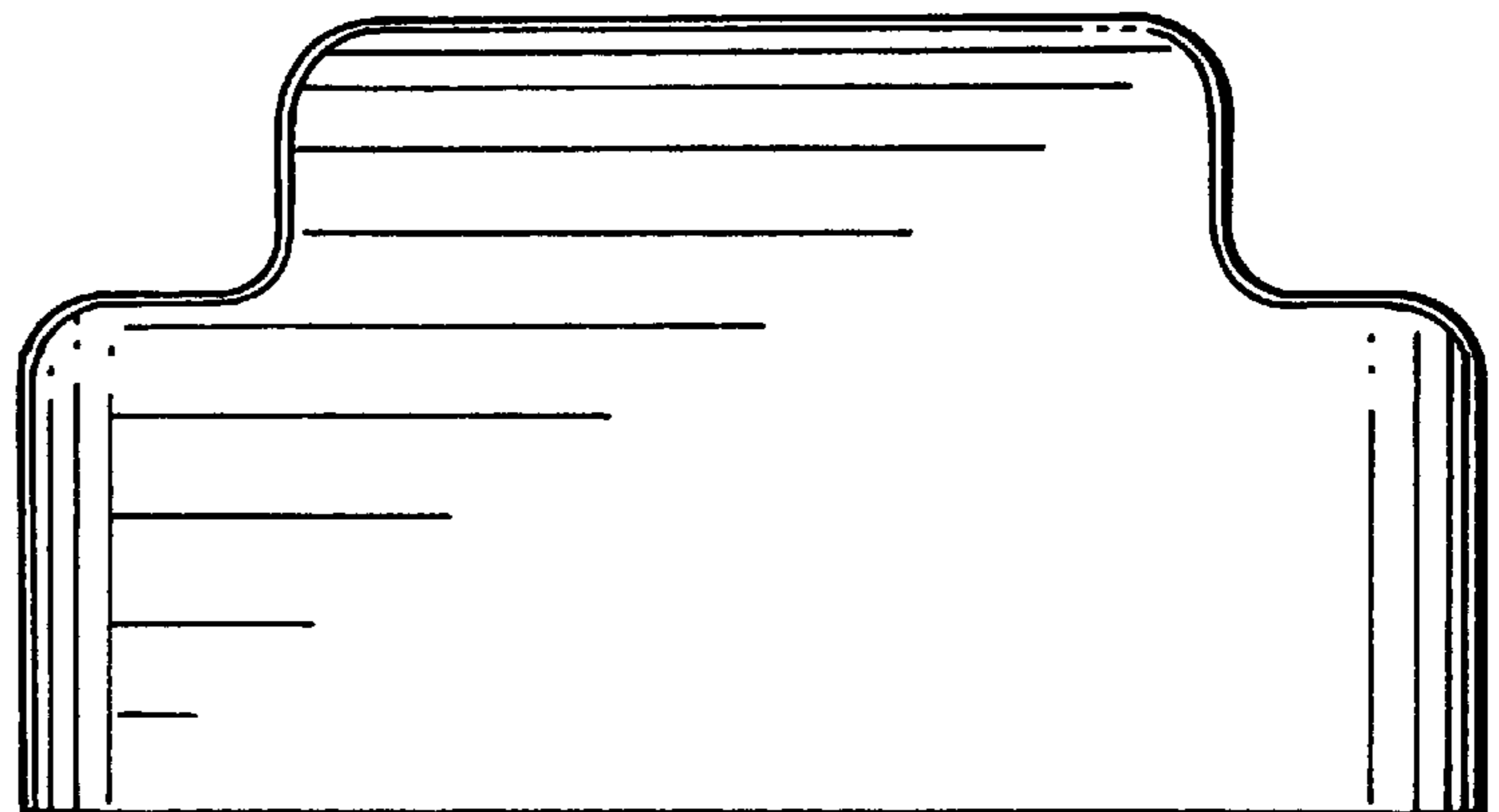


FIG. 6

