



US00D444813S

(12) **United States Design Patent**  
**Quijano**

(10) **Patent No.:** **US D444,813 S**

(45) **Date of Patent:** **\*\* Jul. 10, 2001**

(54) **DESKTOP PRINTER WITH PASS-THROUGH PAPER PATH**

(75) **Inventor:** **David Quijano**, Victor, NY (US)

(73) **Assignee:** **Xerox Corporation**, Stamford, CT (US)

(\*\*) **Term:** **14 Years**

(21) **Appl. No.:** **29/128,472**

(22) **Filed:** **Aug. 24, 2000**

(51) **LOC (7) Cl.** ..... **14-02**

(52) **U.S. Cl.** ..... **D18/55**

(58) **Field of Search** ..... D18/37-39, 50,  
D18/54-55; 400/613, 613.1-613.4, 690.1-690.4,  
691-694

(56) **References Cited**

**U.S. PATENT DOCUMENTS**

- D. 373,595 \* 9/1996 Askren et al. .... D18/50
- D. 375,119 \* 10/1996 Pangburn ..... D18/50
- D. 395,332 \* 6/1998 Leong et al. .... D18/55
- D. 414,799 \* 10/1999 Cook et al. .... D18/55
- D. 419,591 \* 1/2000 Pangburn ..... D18/55

- D. 430,598 \* 9/2000 Gerstein et al. .... D18/55
- D. 432,565 \* 10/2000 Gassett et al. .... D18/55
- D. 435,267 \* 12/2000 Beck et al. .... D18/55
- D. 438,894 \* 3/2001 Bishop et al. .... D18/55
- D. 438,895 \* 3/2001 Pangburn ..... D18/55
- D. 439,272 \* 3/2001 Kobayashi et al. .... D18/50

\* cited by examiner

*Primary Examiner*—Cathy Anne MacCormac

(57) **CLAIM**

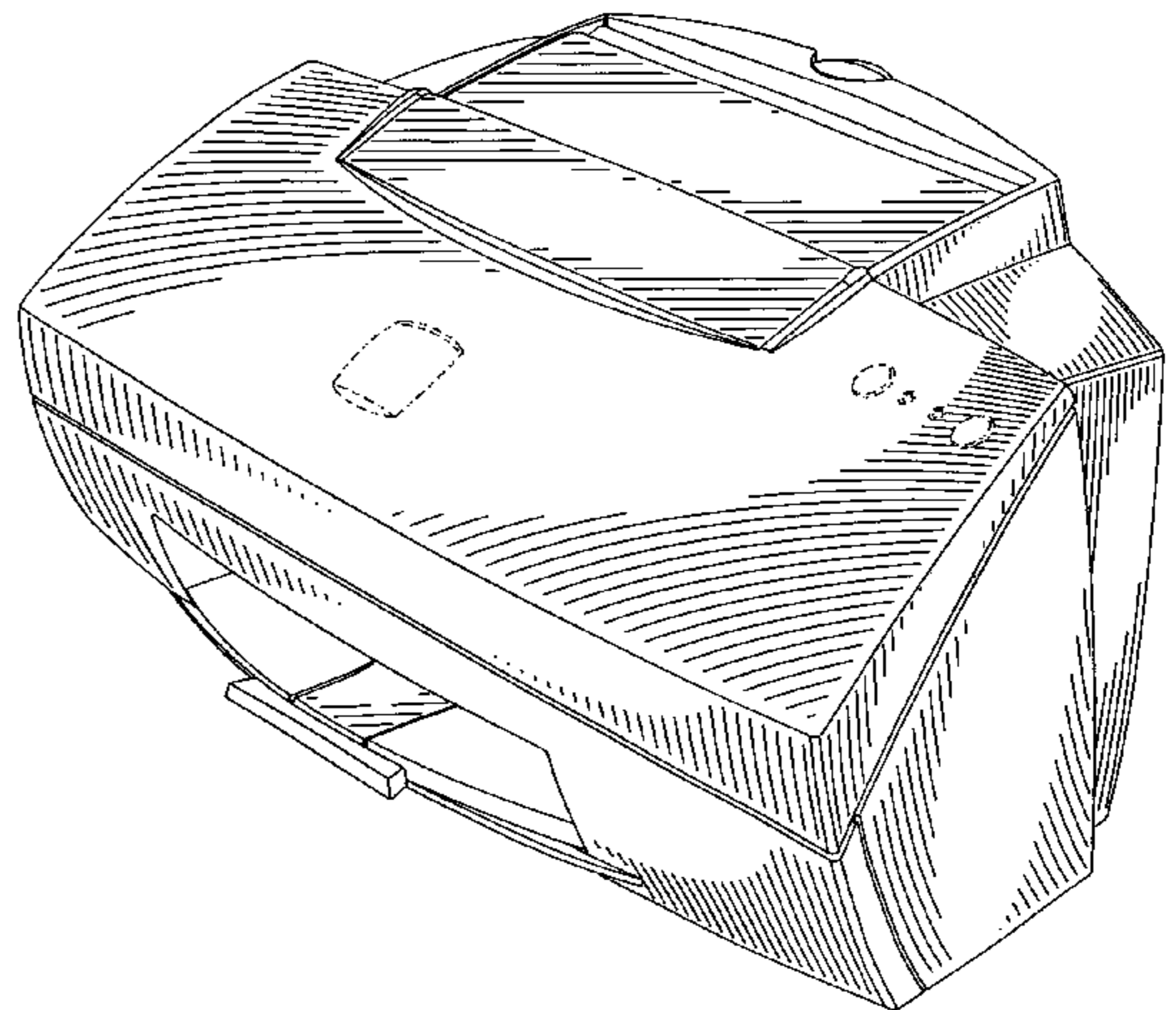
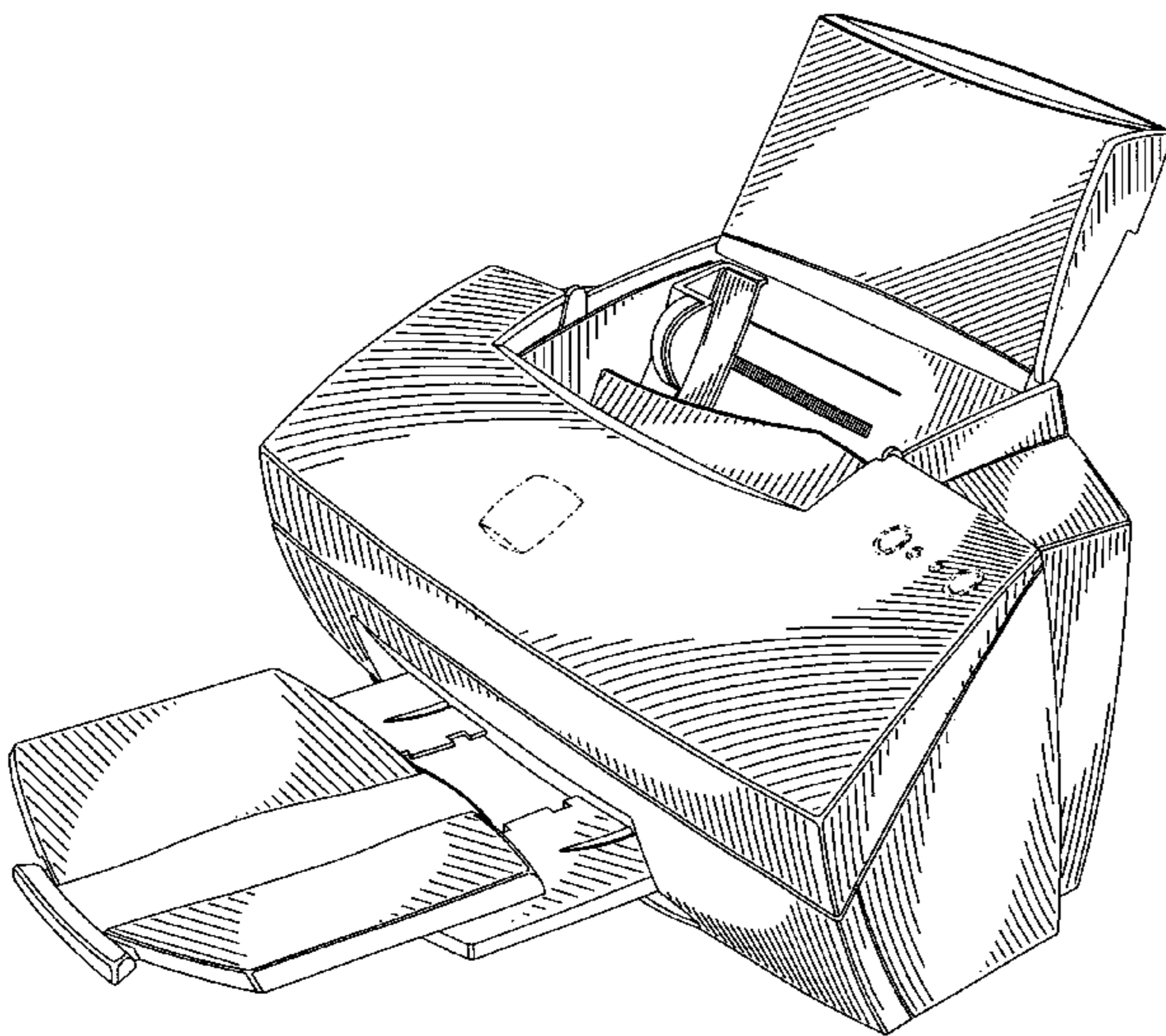
The ornamental design for a desktop printer with pass-through paper path, as shown.

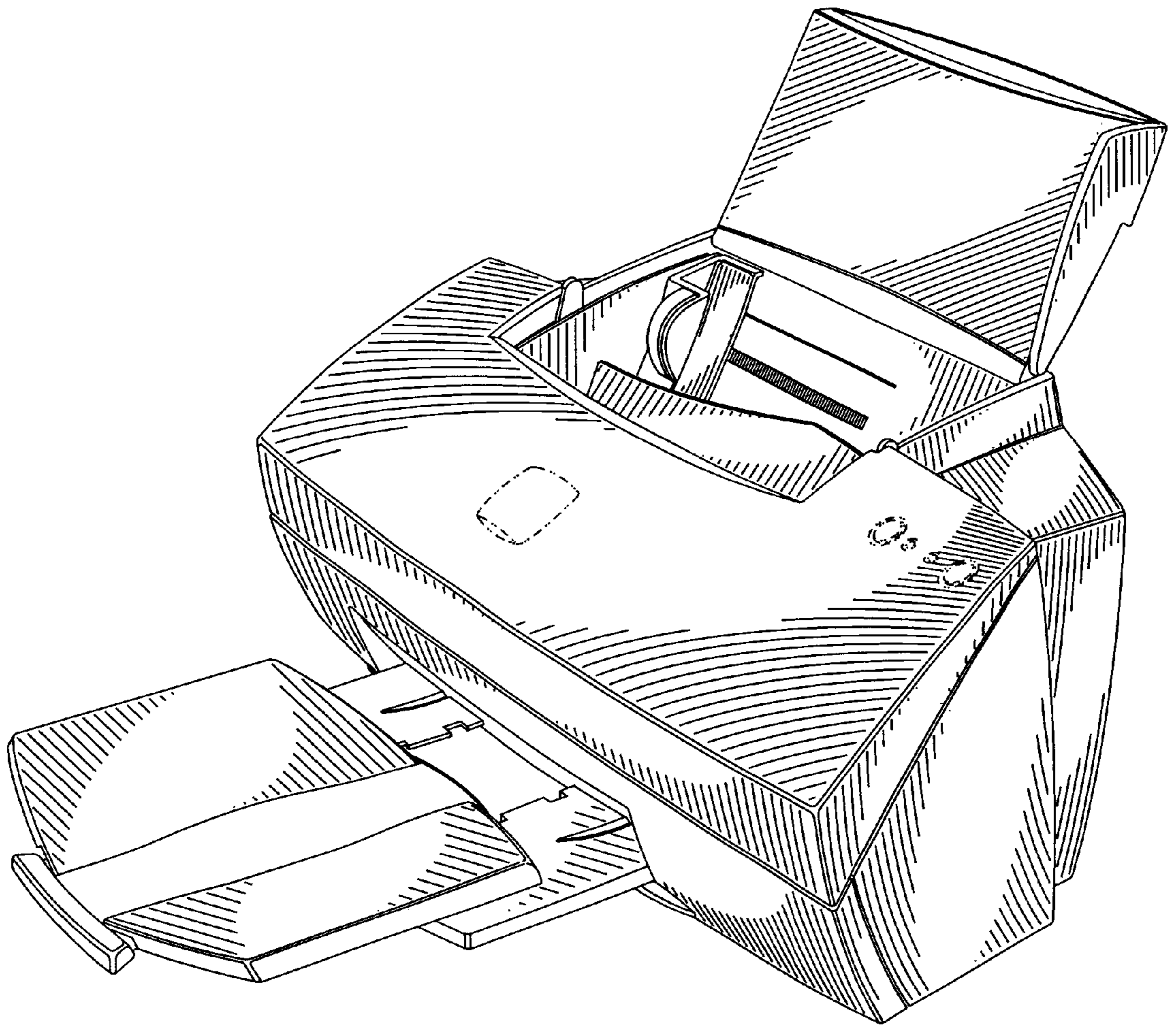
**DESCRIPTION**

FIG. 1 is an overhead perspective view of my design; FIG. 2 is a front view thereof; FIG. 3 is a right side view thereof; FIG. 4 is a rear view thereof; FIG. 5 is a left side view thereof; FIG. 6 is a top view thereof; and, FIG. 7 is an alternate view of FIG. 1.

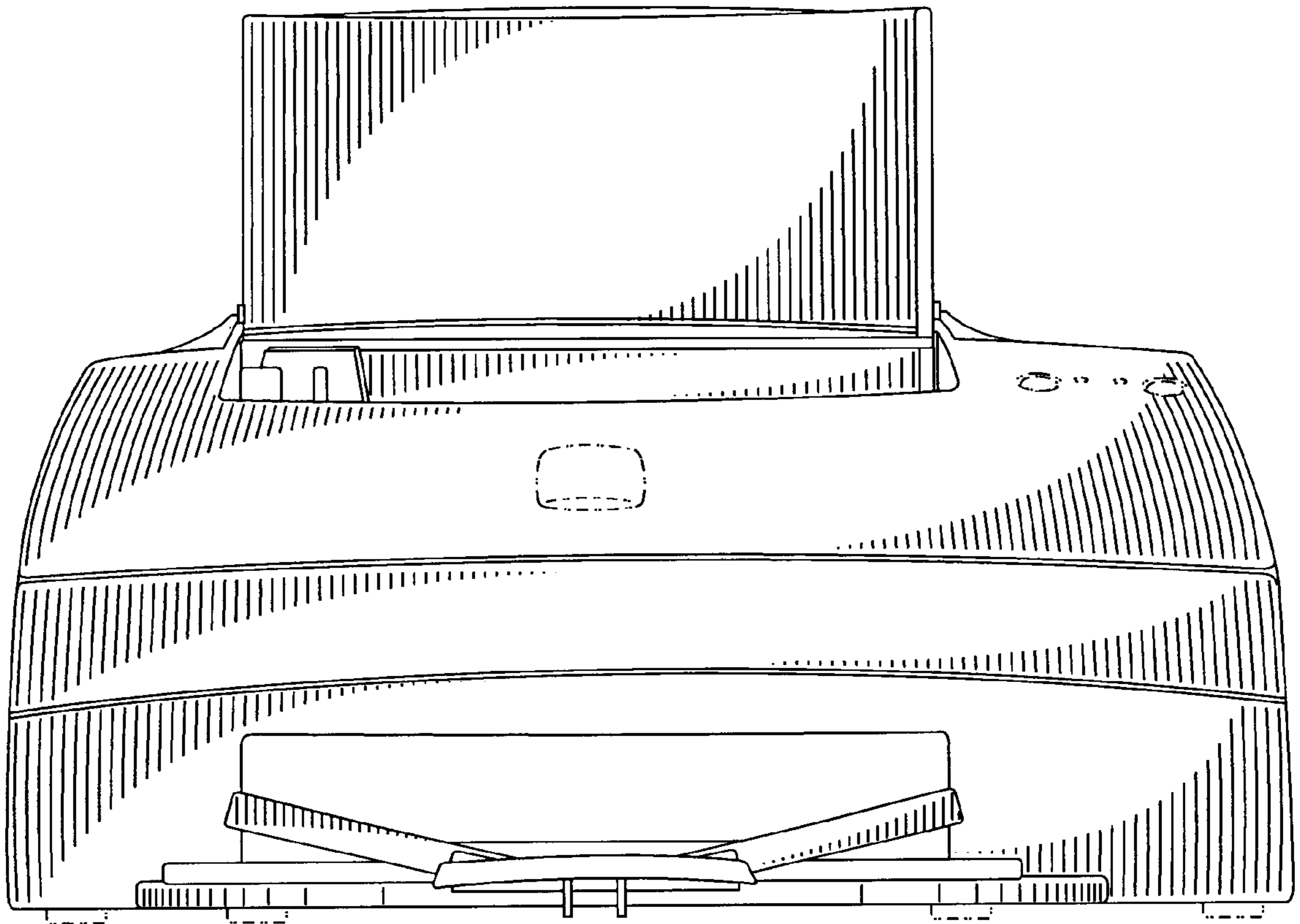
The broken lines are for purposes of illustration and form no part of the claimed design.

**1 Claim, 7 Drawing Sheets**

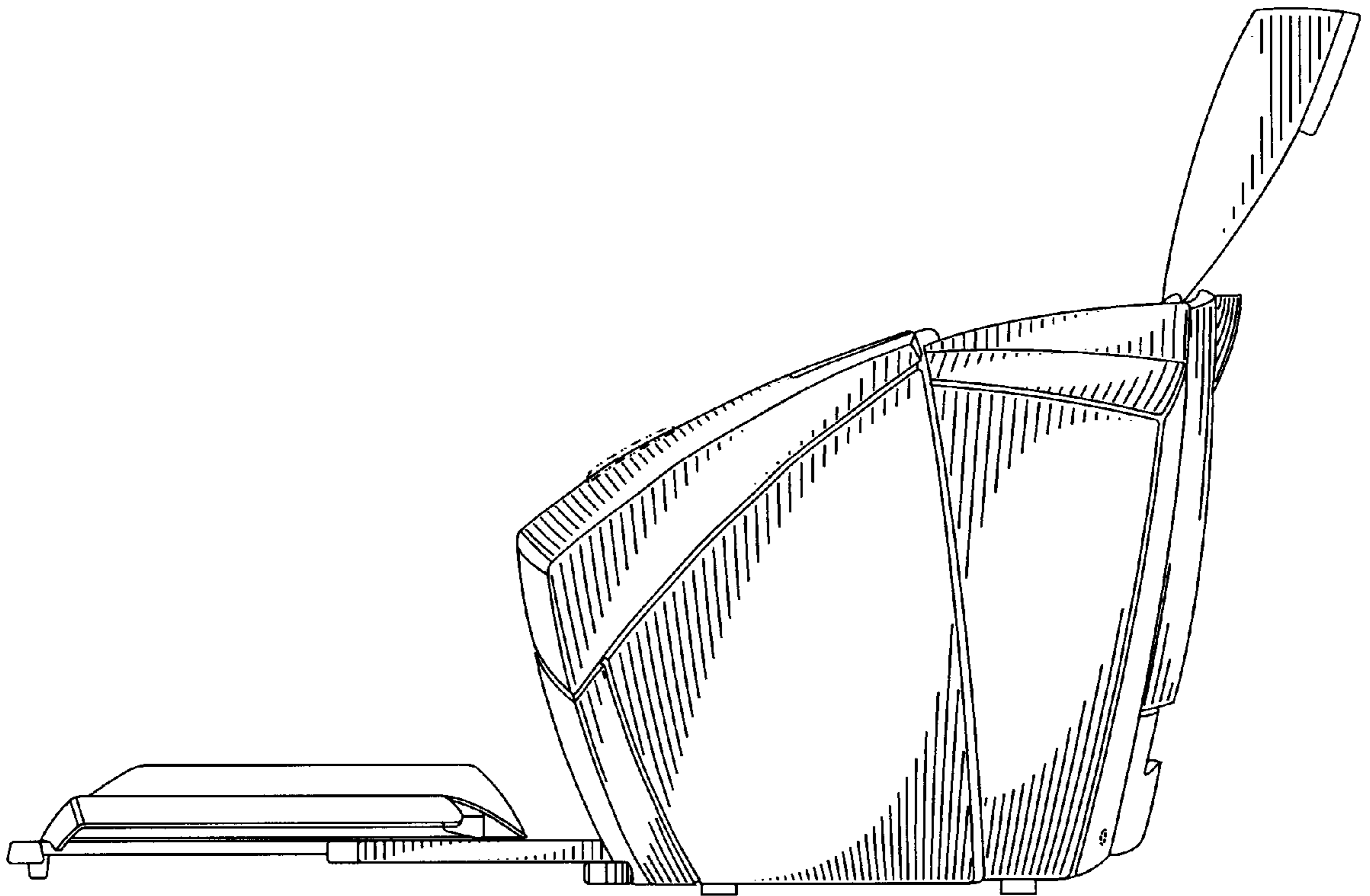




**FIG. 1**

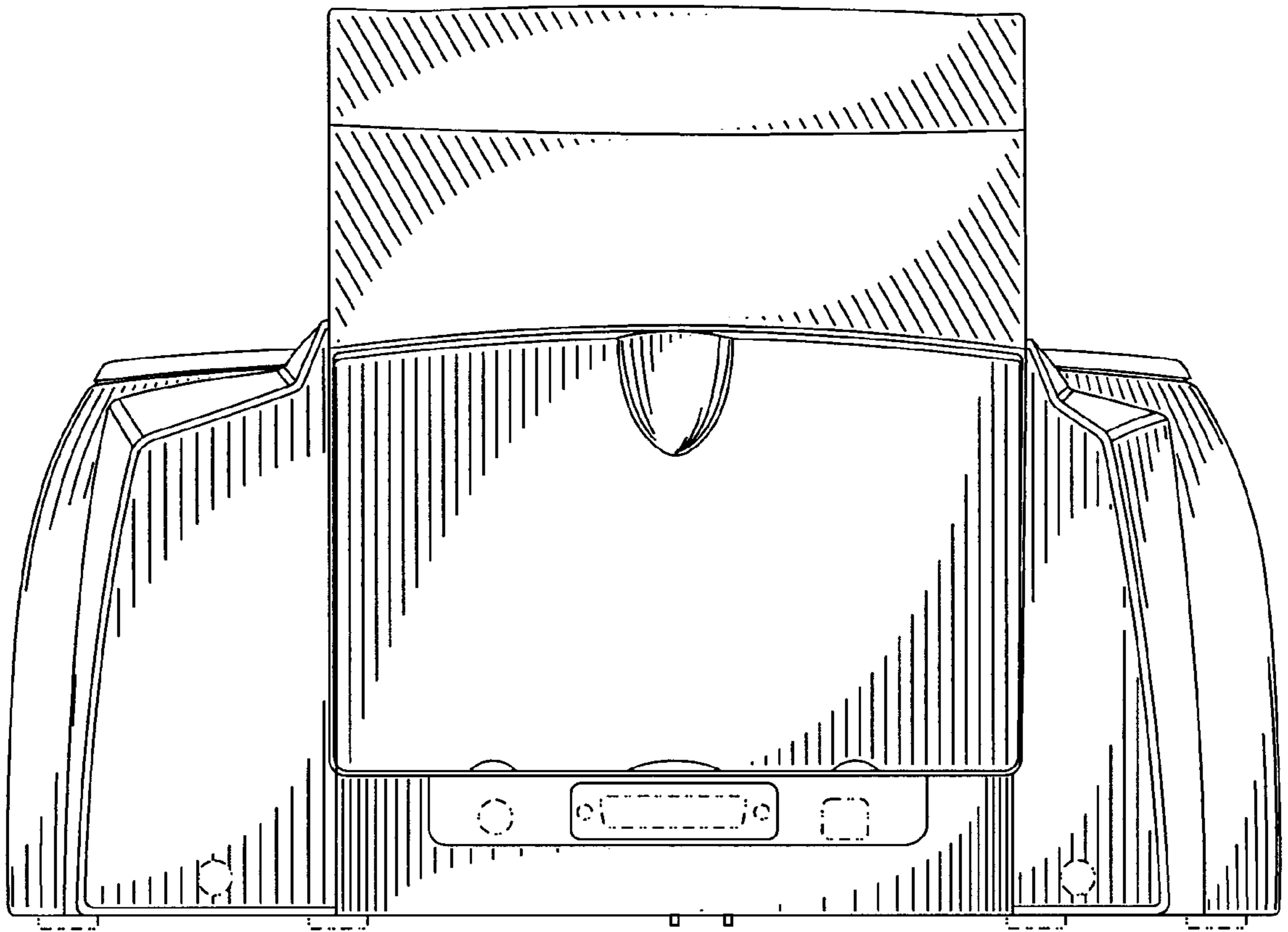


**FIG. 2**

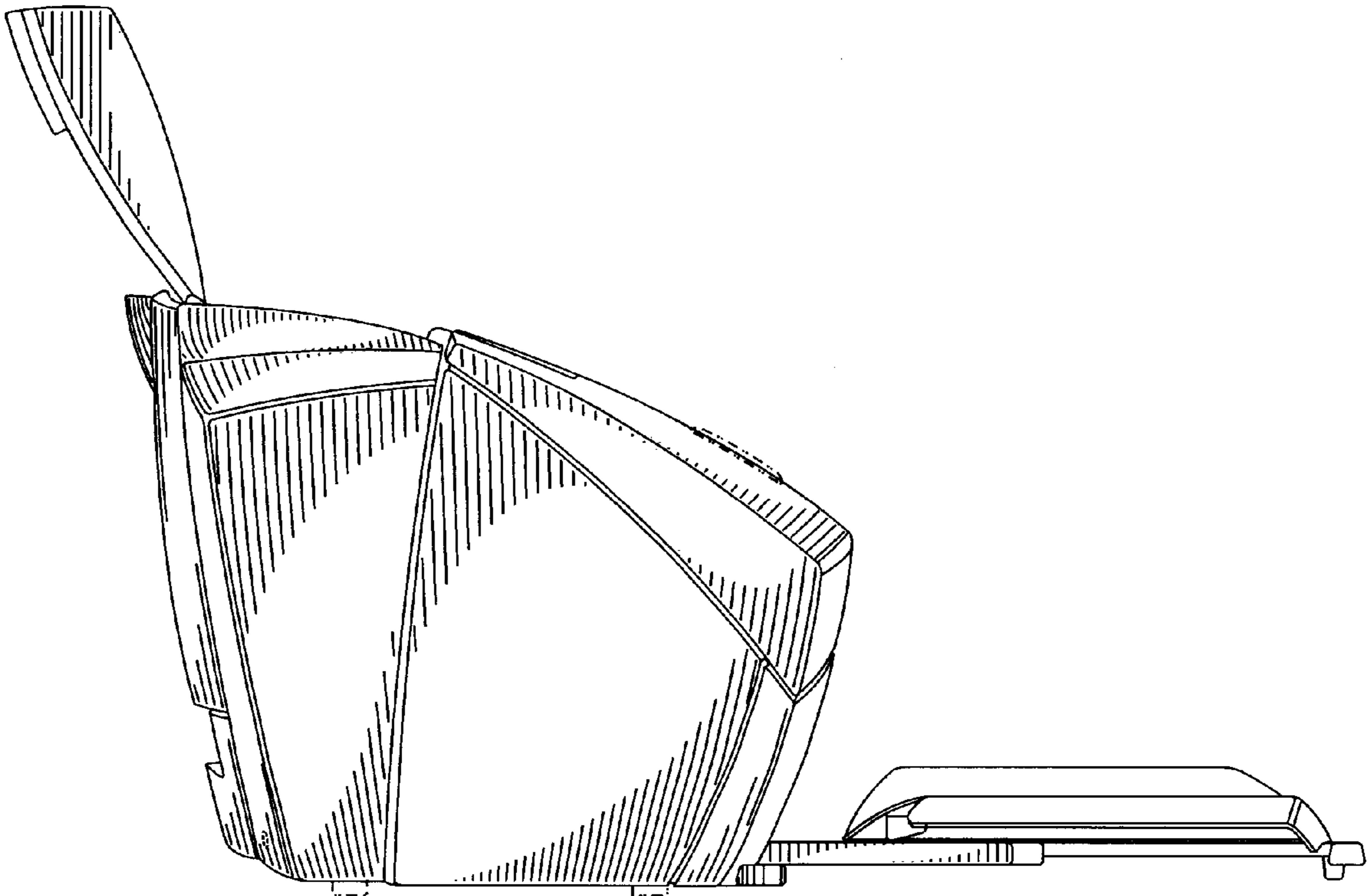


**FIG. 3**

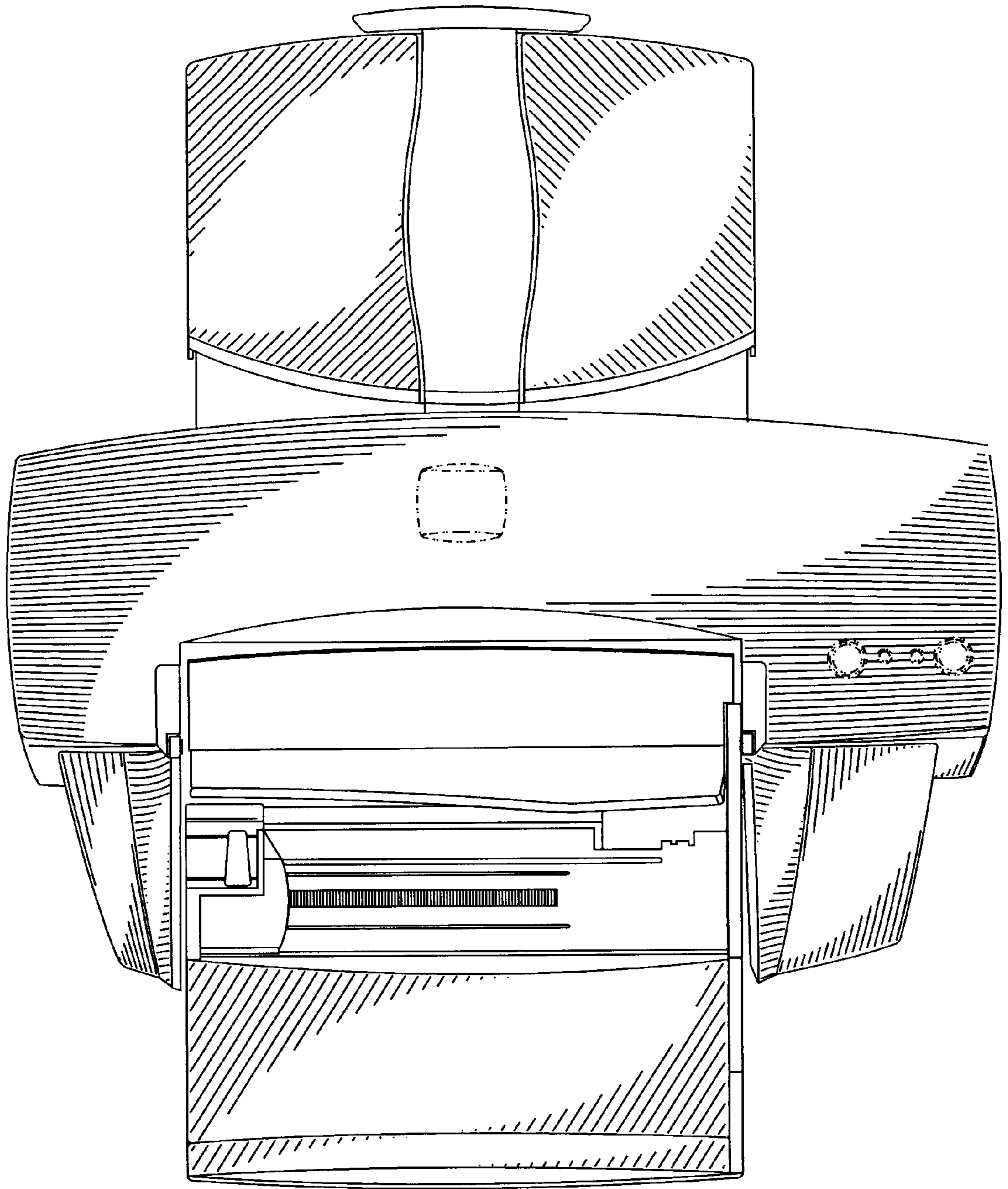




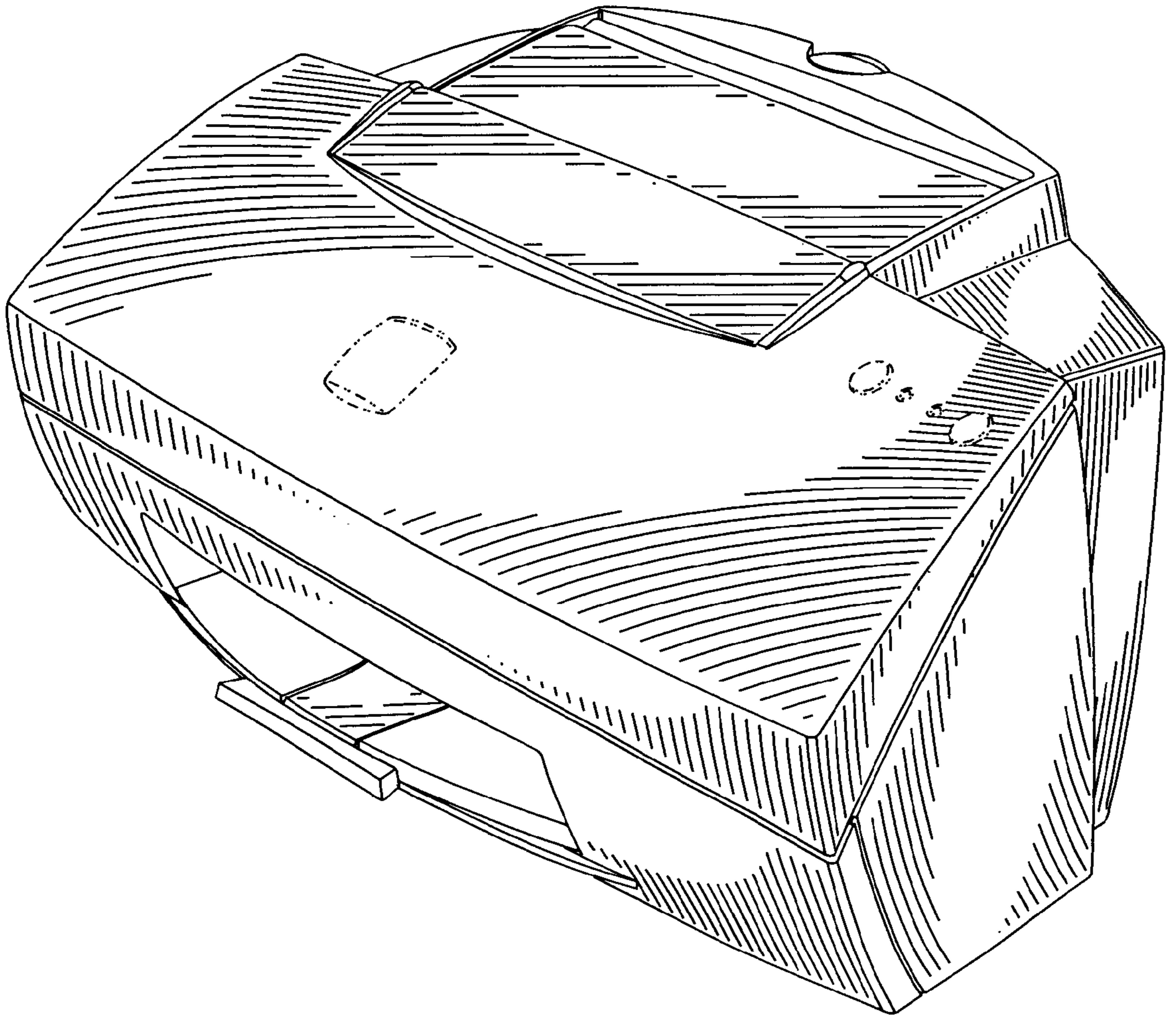
**FIG. 4**



**FIG. 5**



**FIG. 6**



**FIG. 7**