



US00D444812S

(12) **United States Design Patent**
Toh et al.

(10) **Patent No.:** **US D444,812 S**

(45) **Date of Patent:** **** Jul. 10, 2001**

(54) **PRINTER**

(75) **Inventors:** **Cher Lek Toh; Joo Beng Koh**, both of Singapore (SG); **Fernando Pardo**, Moorpark, CA (US)

(73) **Assignee:** **Hewlett-Packard Company**, Palo Alto, CA (US)

(**) **Term:** **14 Years**

(21) **Appl. No.:** **29/127,217**

(22) **Filed:** **Aug. 1, 2000**

(30) **Foreign Application Priority Data**

Jan. 28, 2000 (GB) 2089920

(51) **LOC (7) Cl.** **14-02**

(52) **U.S. Cl.** **D18/55**

(58) **Field of Search** D18/50, 54-55,
D18/37-39; 400/613, 613.1-613.4, 690.1-690.4,
691-694

(56) **References Cited**

U.S. PATENT DOCUMENTS

- D. 373,595 * 9/1996 Askren et al. D18/50
- D. 400,571 * 11/1998 Shimizu D18/54
- D. 400,572 * 11/1998 Sekine et al. D18/54

- D. 414,799 * 10/1999 Cook et al. D18/55
- D. 424,610 * 5/2000 Scarton et al. D18/55
- D. 425,552 * 5/2000 Kobayashi et al. D18/54
- D. 427,235 * 6/2000 Kaseno et al. D18/54
- D. 428,052 * 7/2000 Dwyer et al. D18/55
- D. 429,279 * 8/2000 Dwyer et al. D18/55
- D. 430,896 * 9/2000 Wong et al. D18/55
- D. 435,267 * 12/2000 Beck et al. D18/55
- D. 435,860 * 1/2001 Chen D18/55
- D. 438,894 * 3/2001 Bishop et al. D18/55
- D. 438,895 * 3/2001 Pangburn D18/55

* cited by examiner

Primary Examiner—Cathy Anne MacCormac

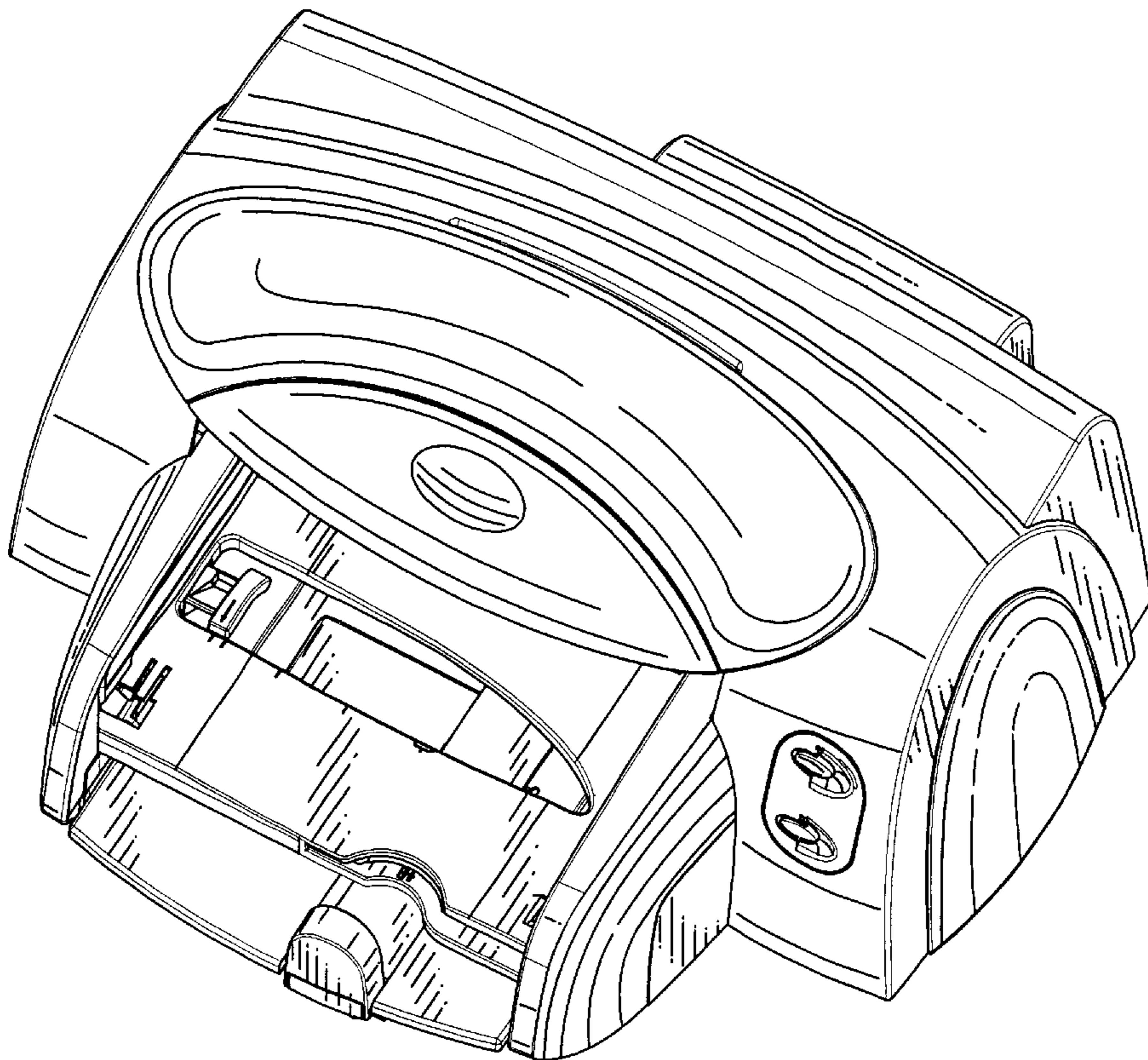
(57) **CLAIM**

The ornamental design for a printer, as shown.

DESCRIPTION

FIG. 1 is a perspective view of a printer, with input and out-put trays;
 FIG. 2 is a top plan view thereof;
 FIG. 3 is a bottom plan view thereof;
 FIG. 4 is a front elevation view thereof;
 FIG. 5 is a rear elevation view thereof;
 FIG. 6 is a left side elevation view thereof; and,
 FIG. 7 is a right side elevation view thereof.

1 Claim, 7 Drawing Sheets



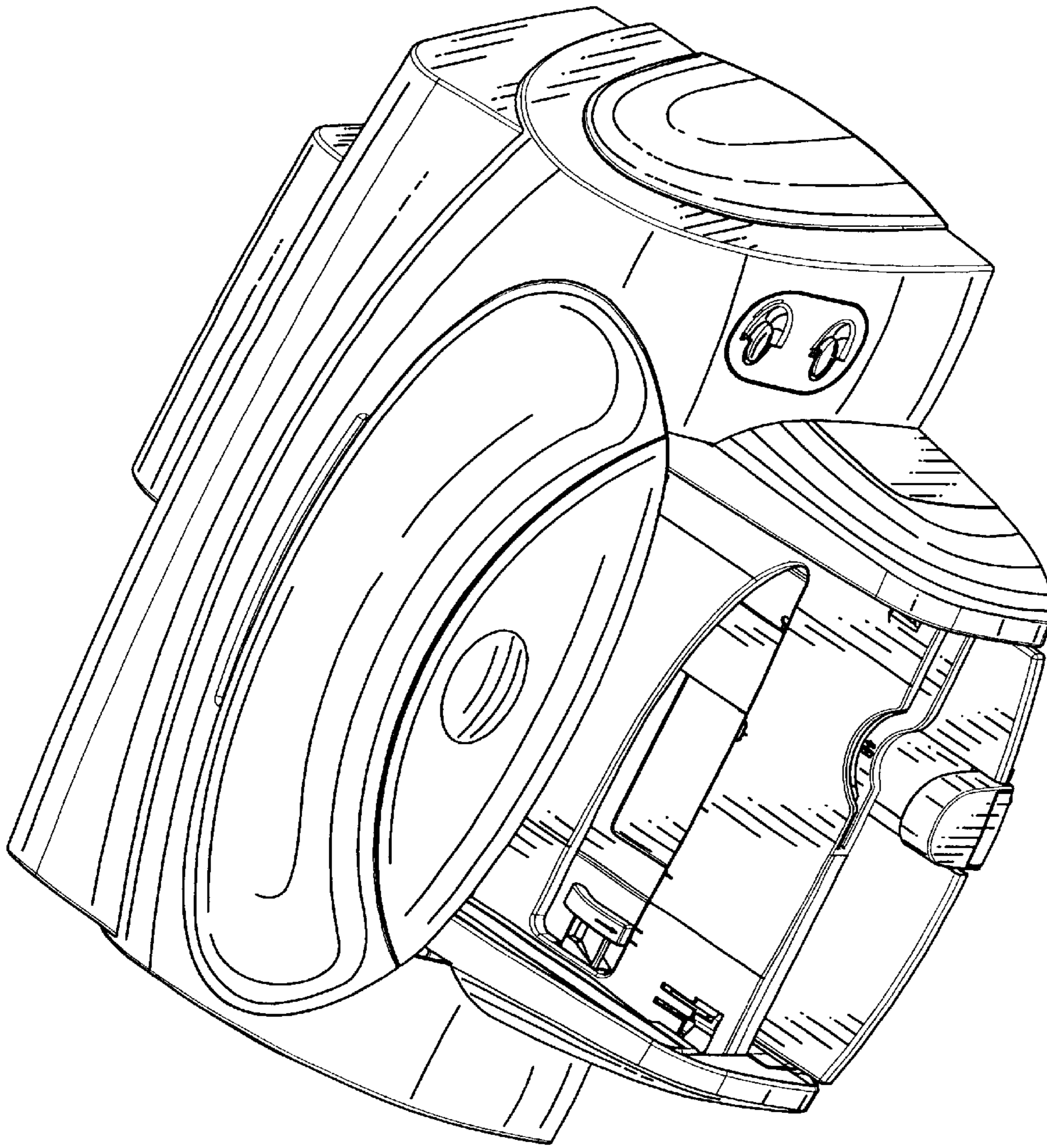


Figure 1

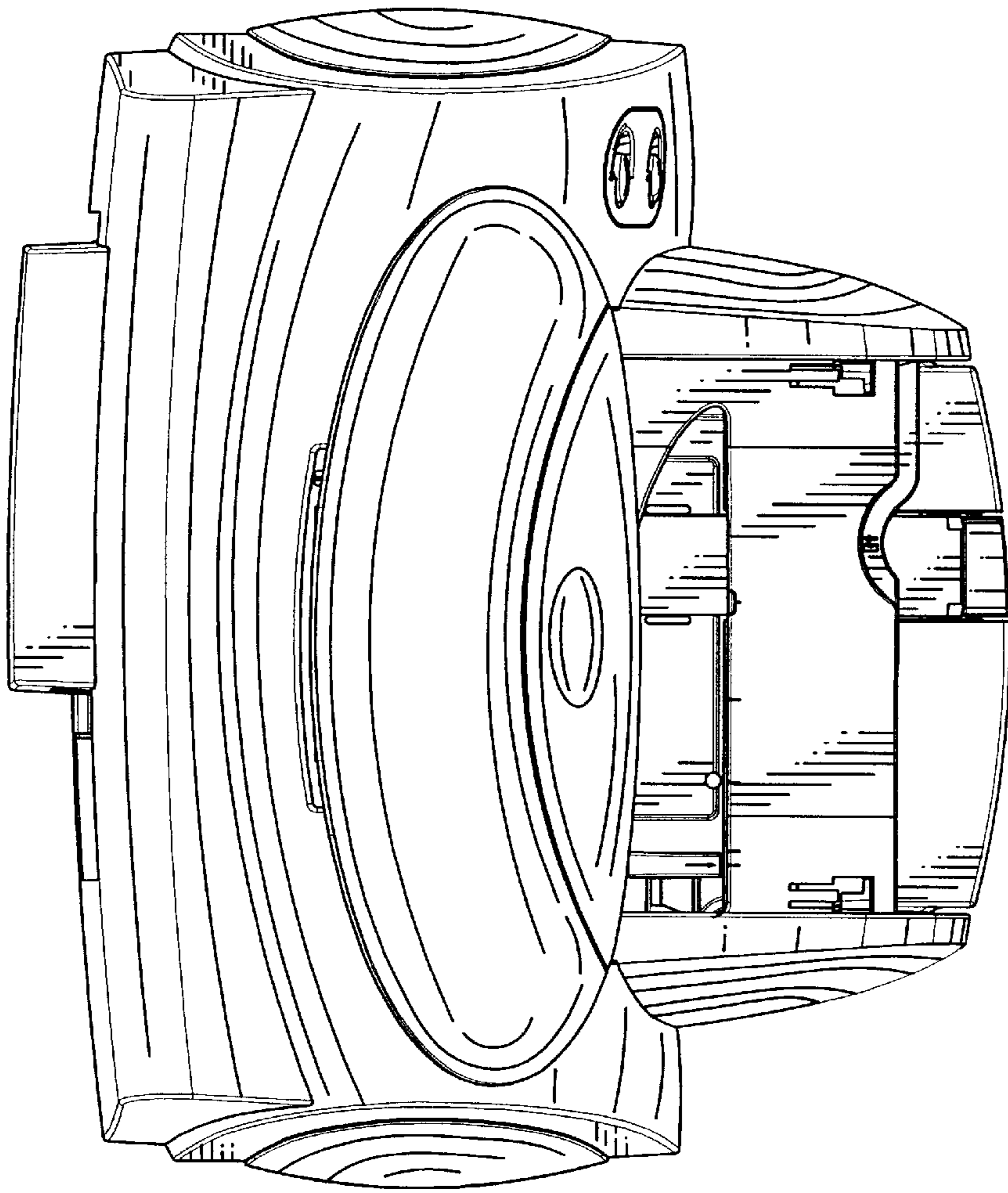


Figure 2

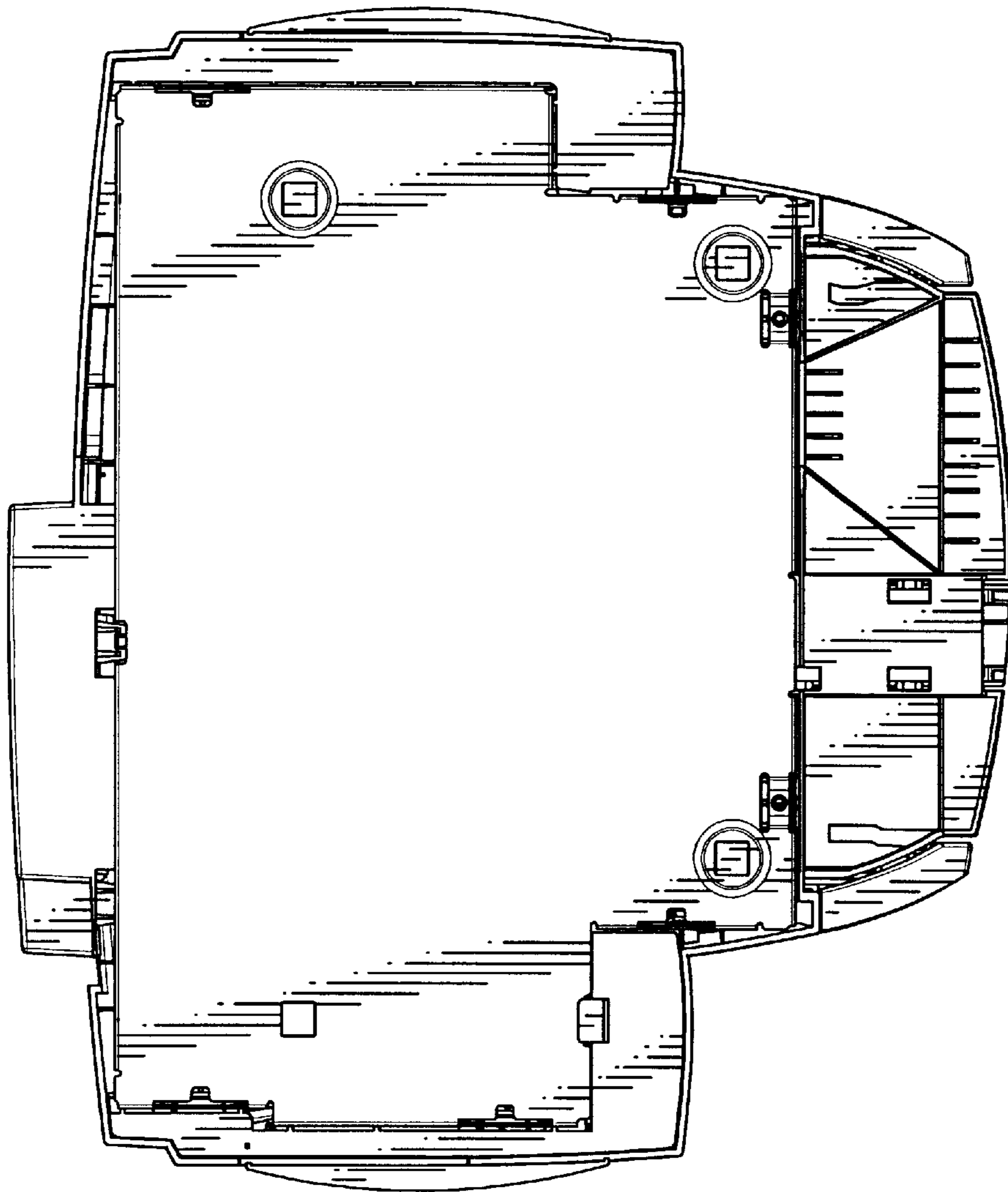


Figure 3

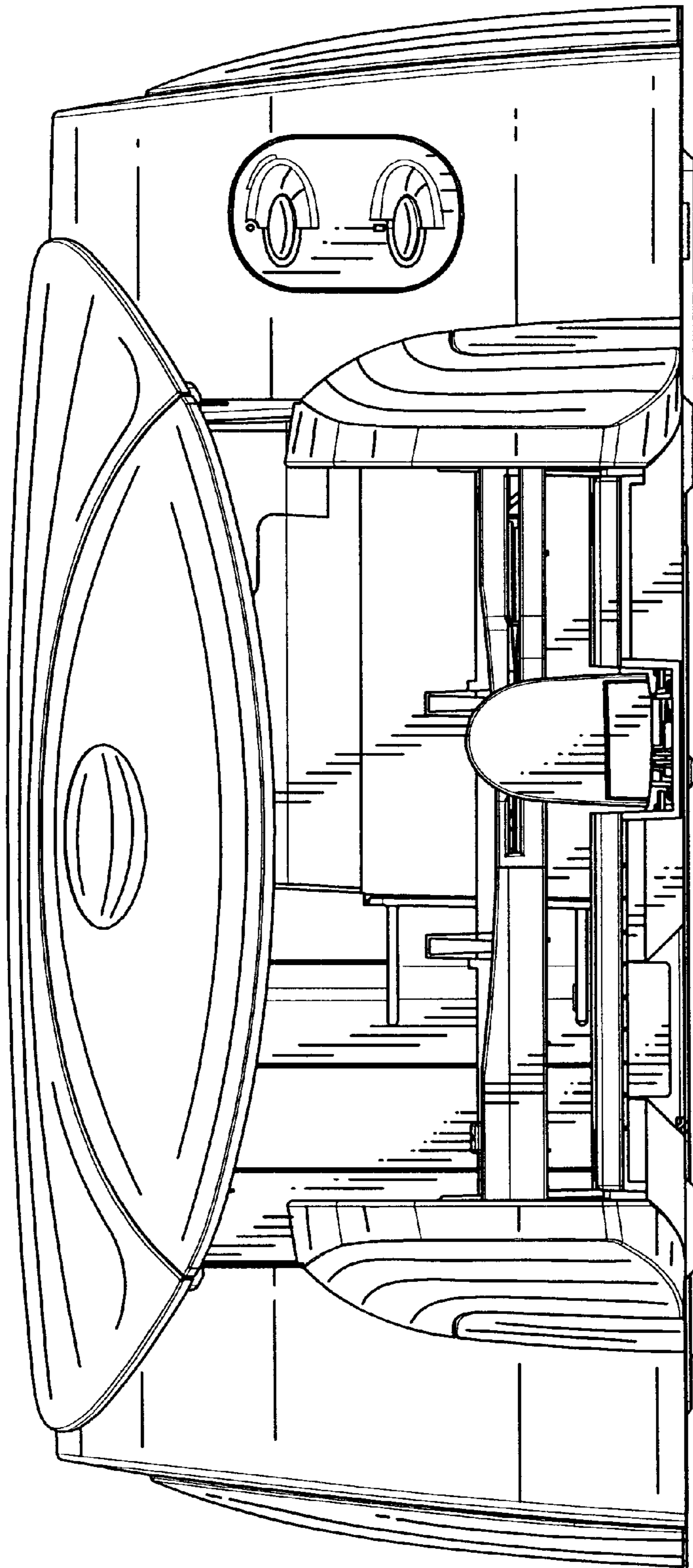


Figure 4

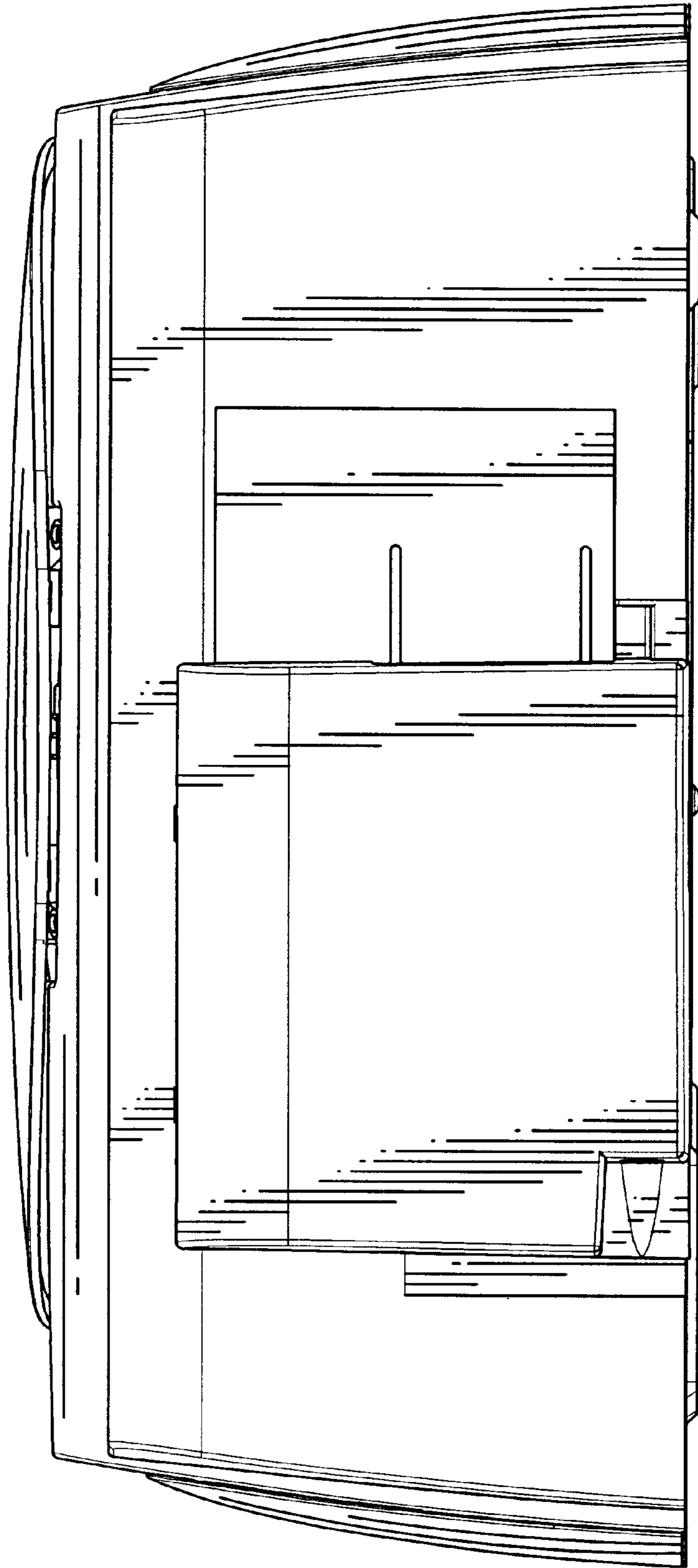


Figure 5

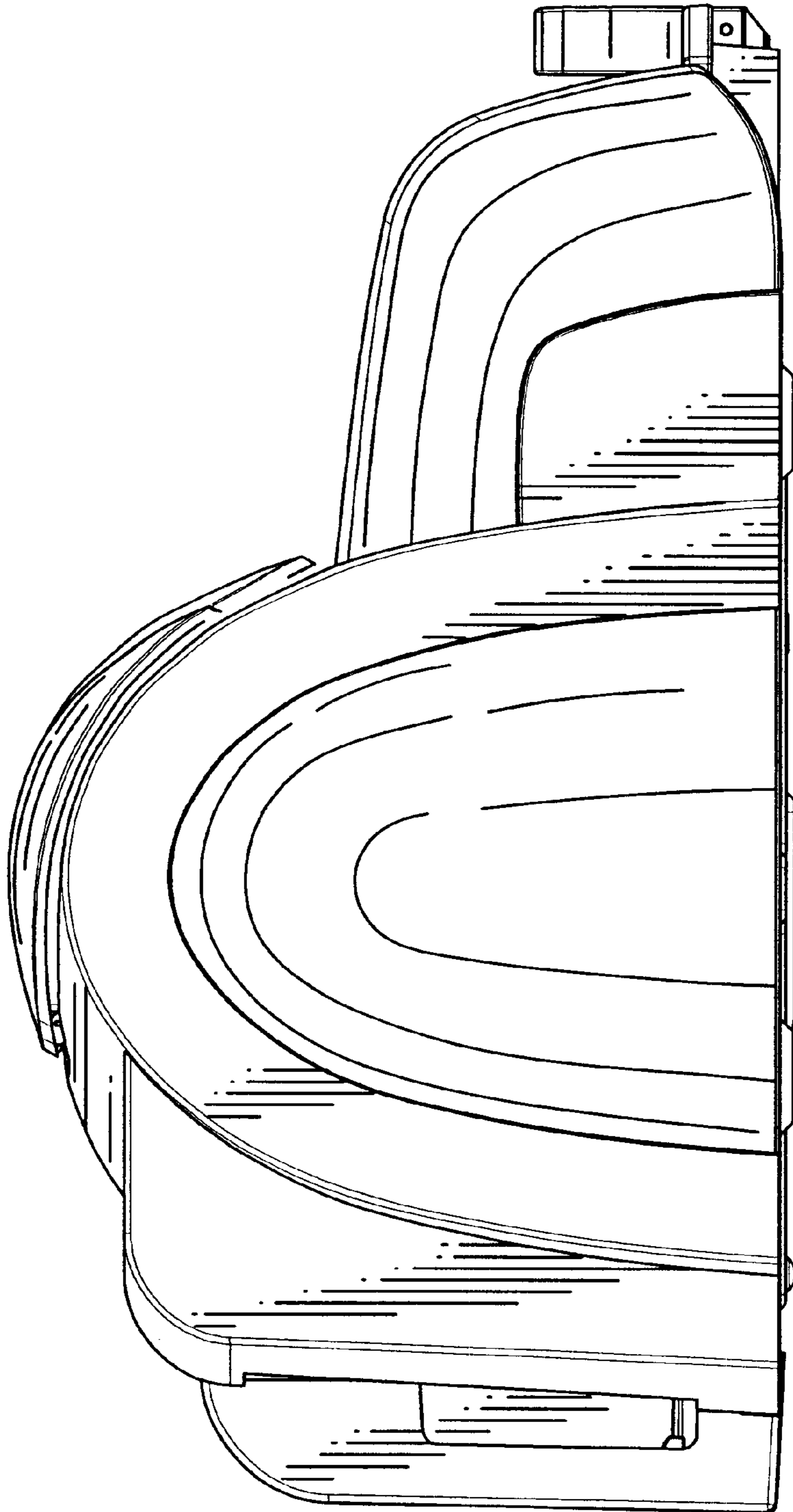


Figure 6

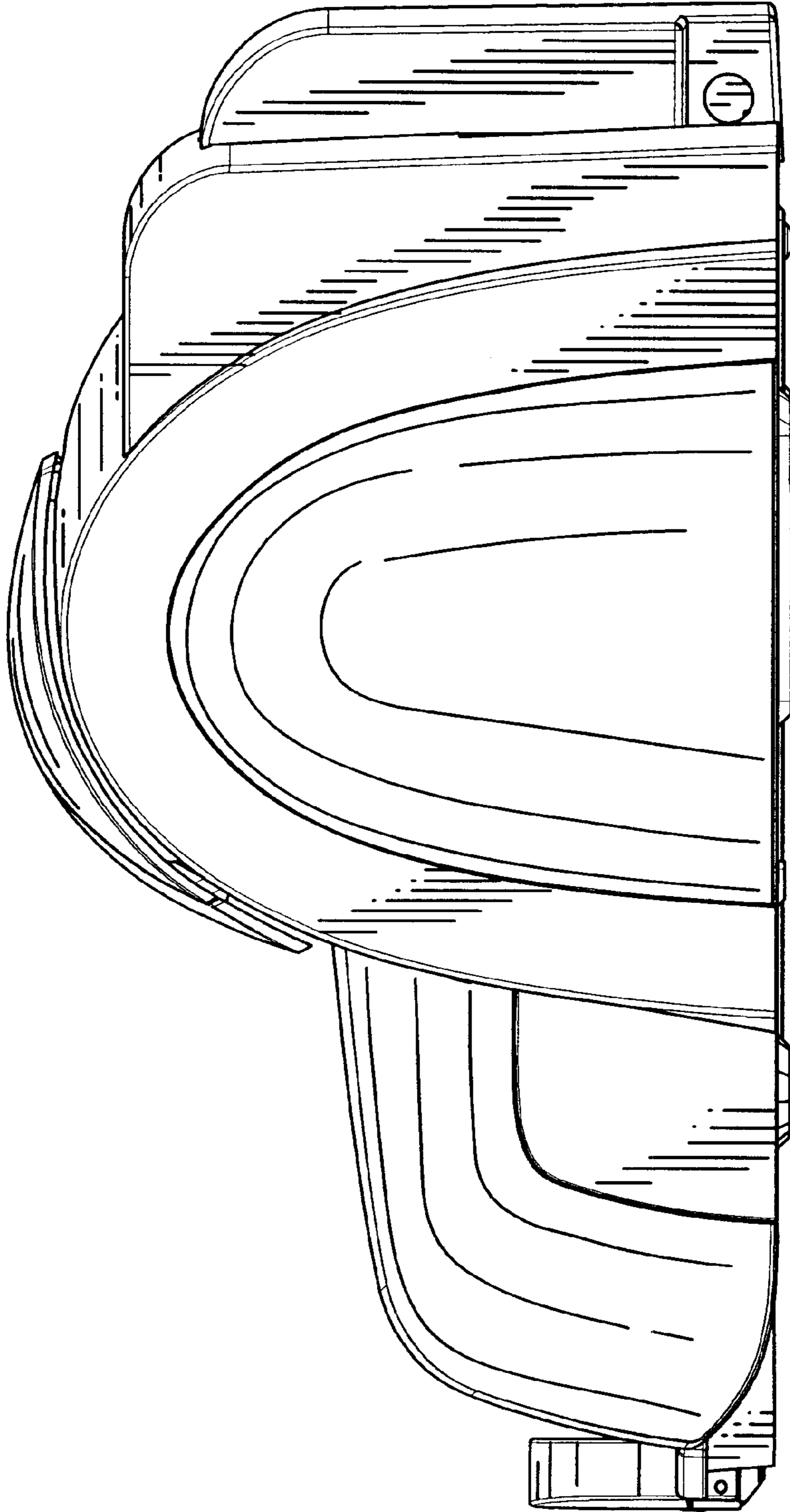


Figure 7