



US00D444811S

(12) **United States Design Patent**
Yamamoto

(10) **Patent No.:** **US D444,811 S**

(45) **Date of Patent:** **** Jul. 10, 2001**

(54) **PRINTER**

(75) **Inventor:** **Kazuo Yamamoto, Tokyo (JP)**

(73) **Assignee:** **Olympus Optical, Co., Ltd., Tokyo (JP)**

(**) **Term:** **14 Years**

(21) **Appl. No.:** **29/126,289**

(22) **Filed:** **Jul. 12, 2000**

(30) **Foreign Application Priority Data**

Jan. 20, 2000 (JP) 12-000643

(51) **LOC (7) Cl.** **14-02**

(52) **U.S. Cl.** **D18/50**

(58) **Field of Search** D18/50, 54-55;
400/613, 613.1-613.4, 691-694, 690.1-690.4

(56) **References Cited**

U.S. PATENT DOCUMENTS

- D. 327,905 * 7/1992 Kamijima et al. D18/36
- D. 355,926 * 2/1995 Mouri et al. D18/50
- D. 405,107 * 2/1999 Yokokawa D18/50

- D. 418,157 * 12/1999 Han D18/50
- D. 422,631 * 4/2000 Toriyama et al. D18/50
- D. 431,047 * 9/2000 Yokakowa D18/50
- D. 436,371 * 1/2001 Shimamura D18/50

* cited by examiner

Primary Examiner—Cathy Anne MacCormac

(74) *Attorney, Agent, or Firm*—Hogan & Hartson, LLP

(57) **CLAIM**

The ornamental design for a printer, as shown and described.

DESCRIPTION

FIG. 1 is a front, top and right side perspective view of a printer showing my new design;
 FIG. 2 is a rear, bottom and left side perspective view thereof;
 FIG. 3 is a front elevational view thereof;
 FIG. 4 is a rear elevational view thereof;
 FIG. 5 is a top plan view thereof;
 FIG. 6 is a bottom plan view thereof;
 FIG. 7 is a right side elevational view thereof; and,
 FIG. 8 is a left side elevational view thereof.

1 Claim, 6 Drawing Sheets

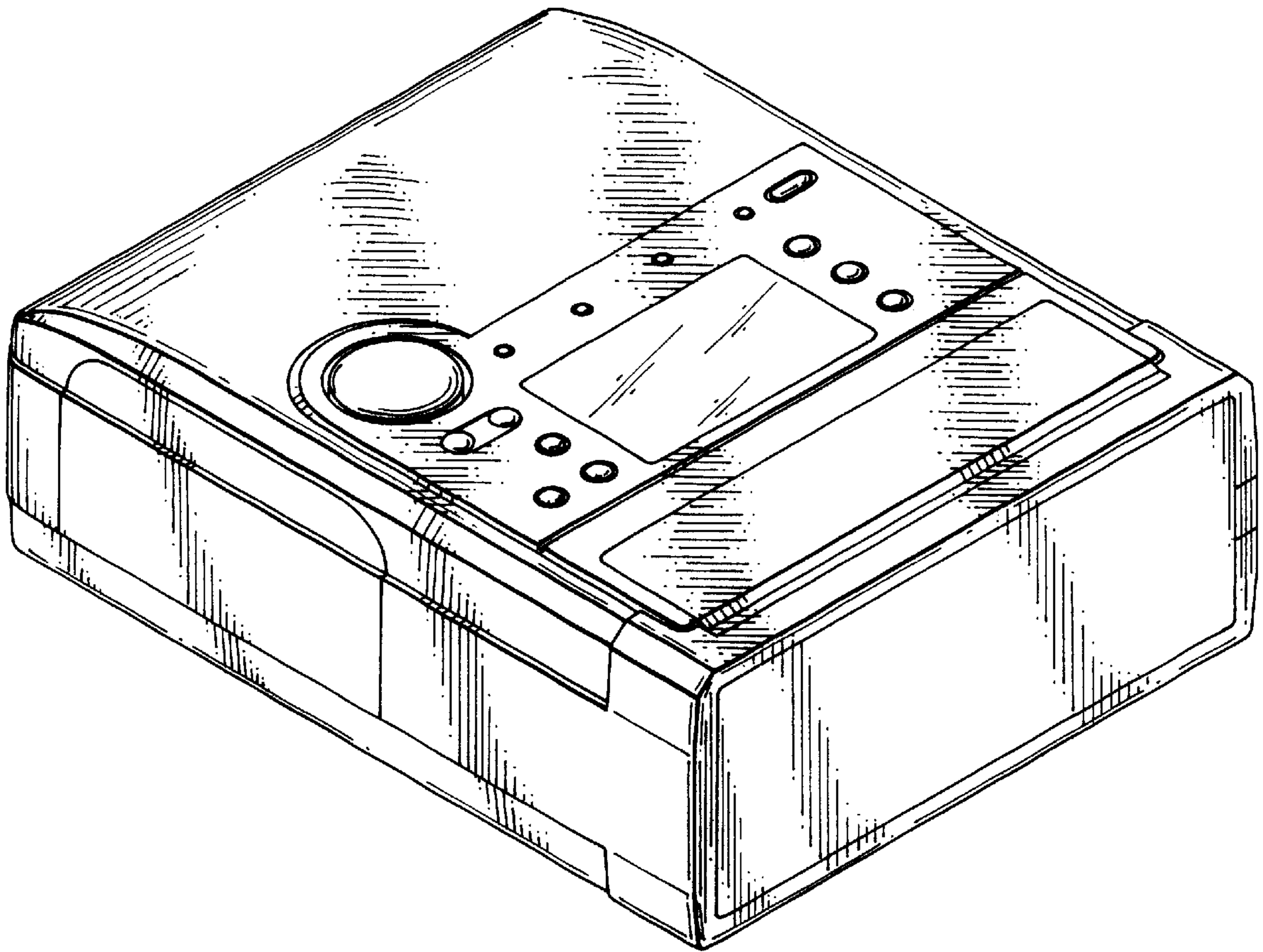


FIG. 1

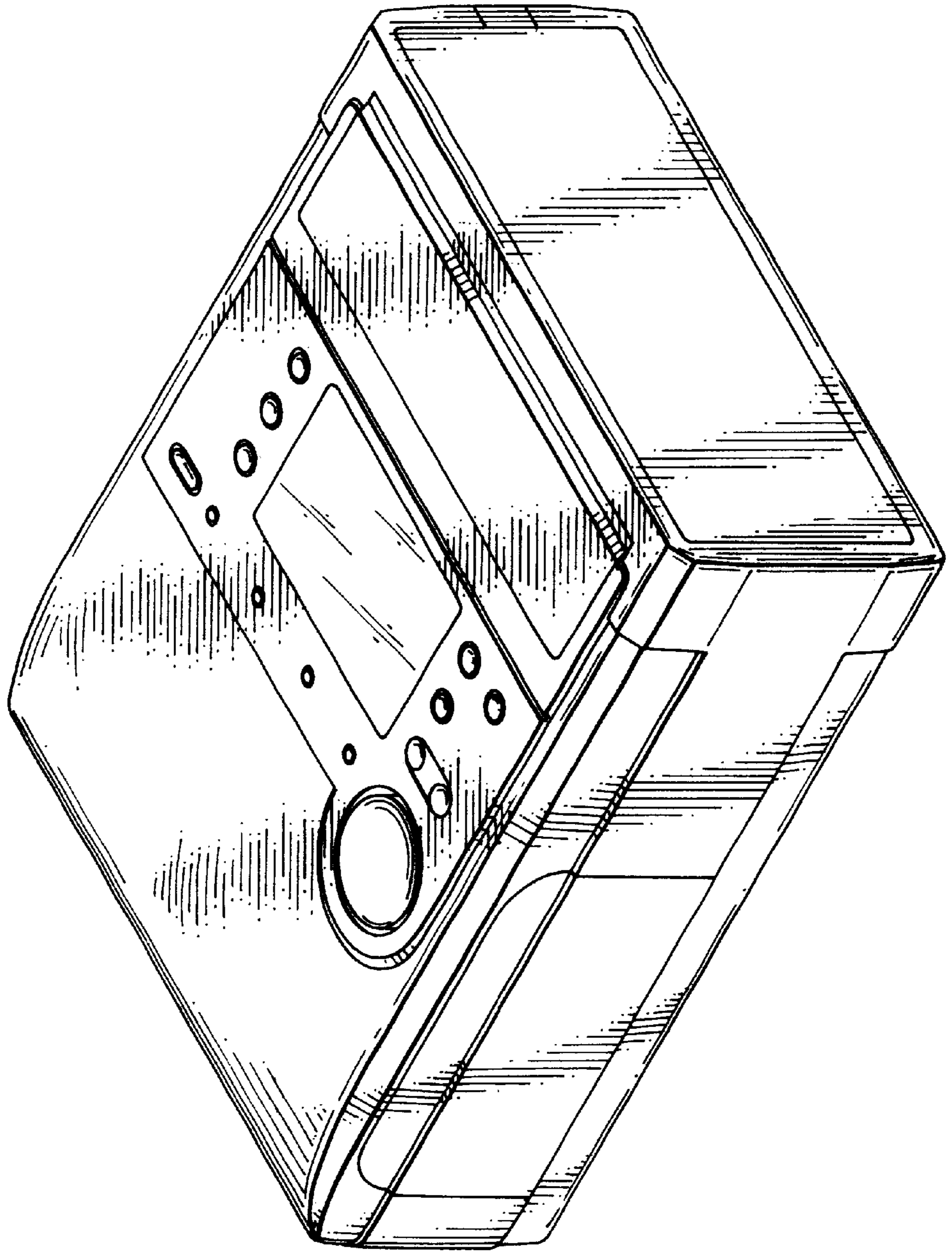


FIG. 2

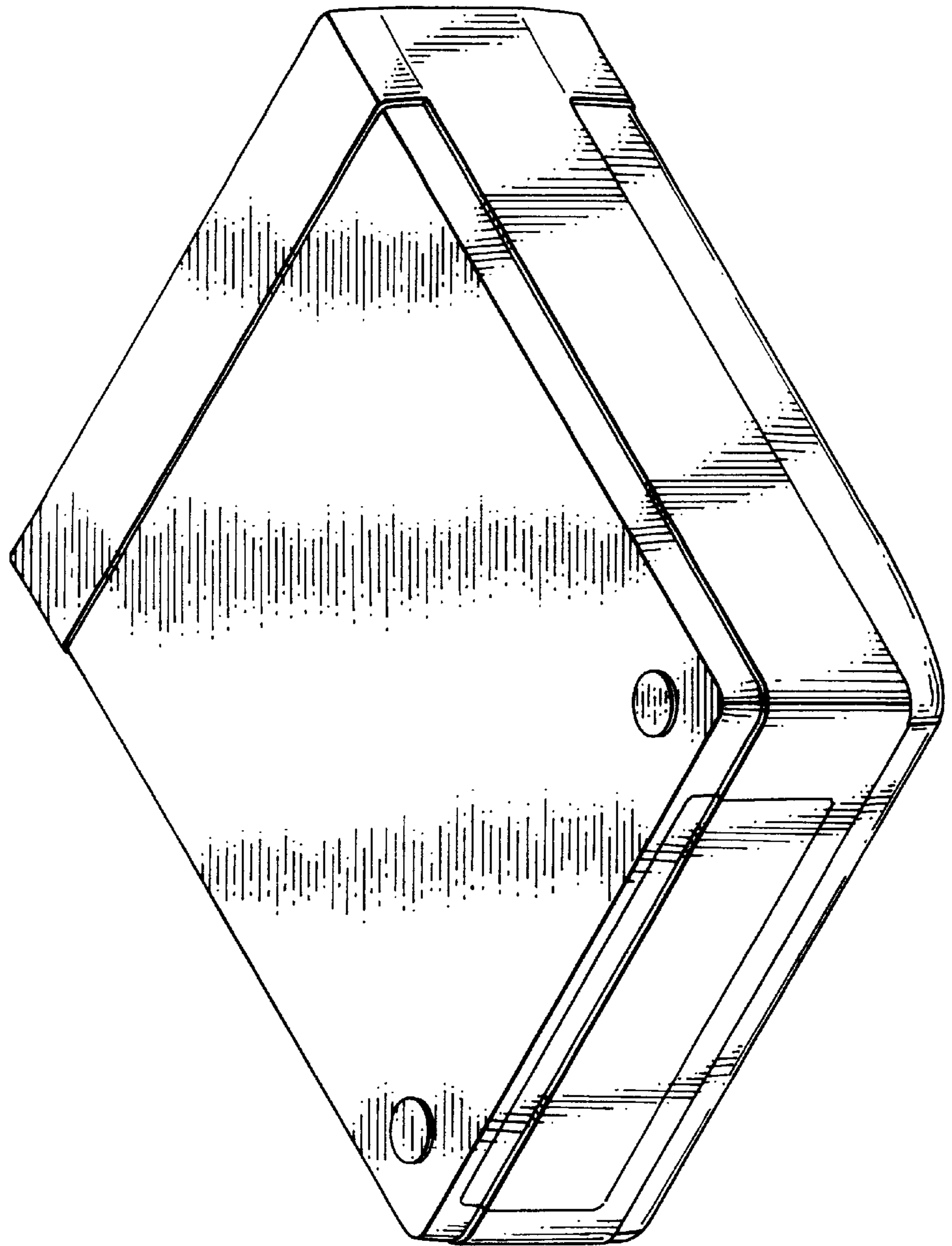


FIG. 3

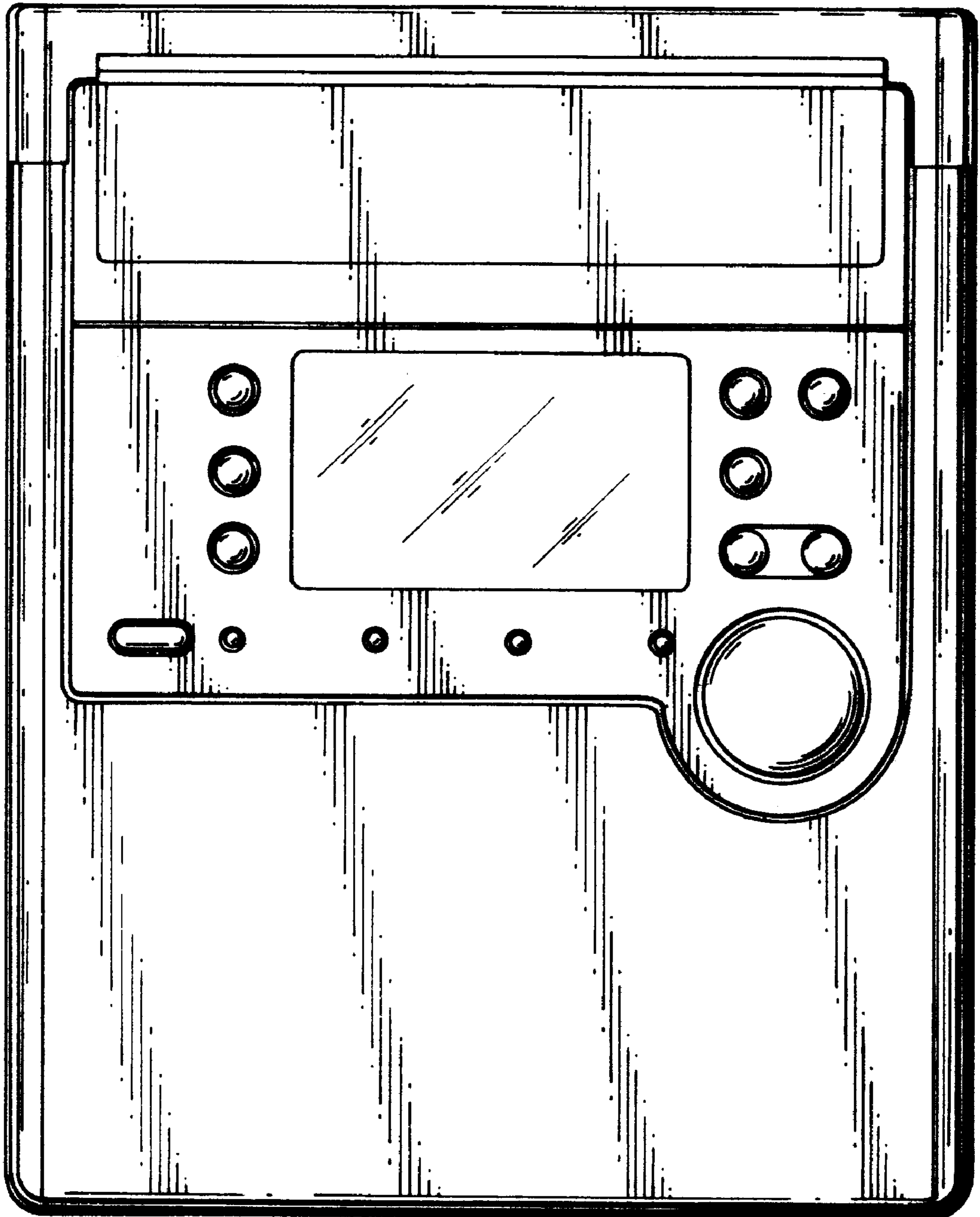


FIG. 4

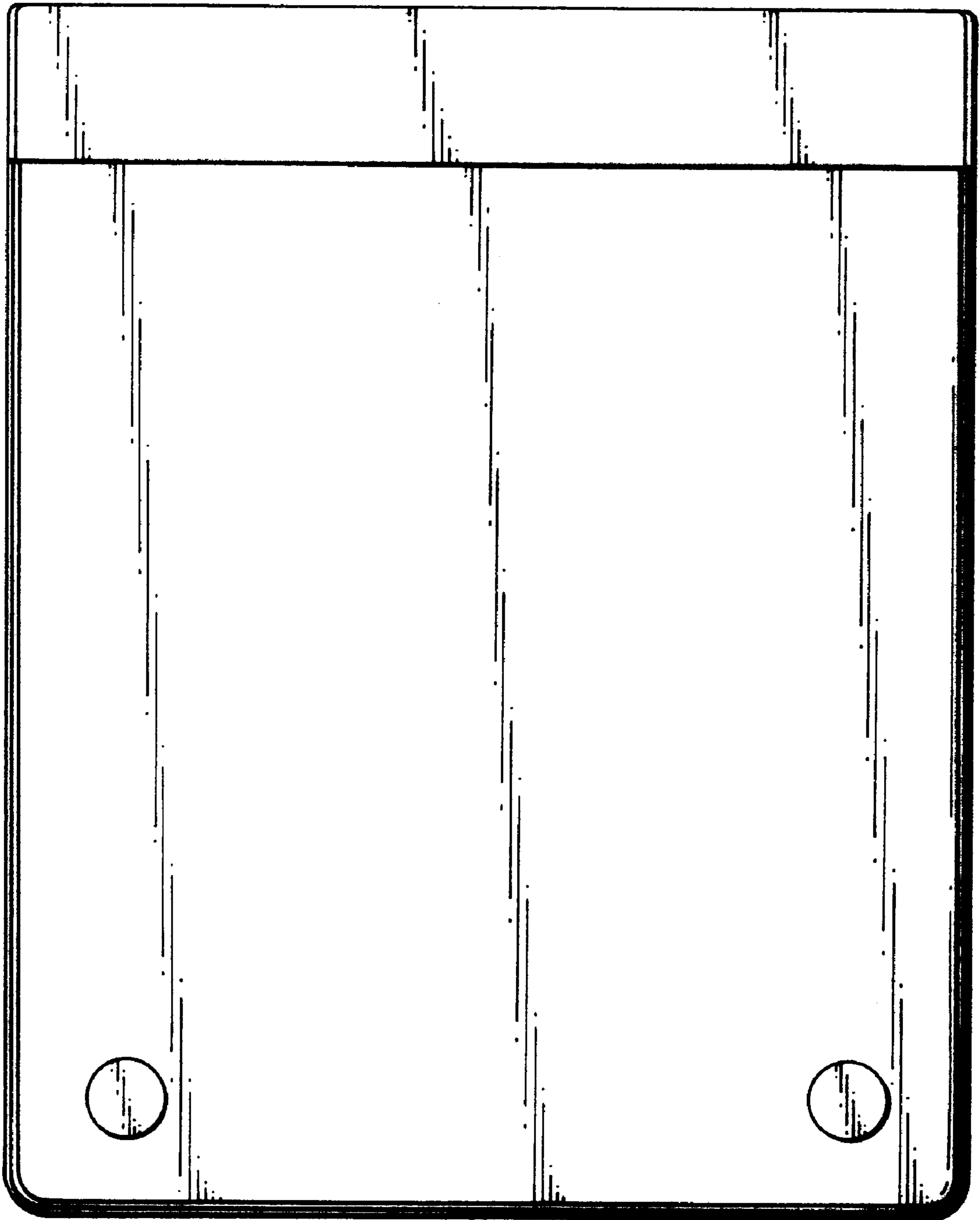


FIG. 5

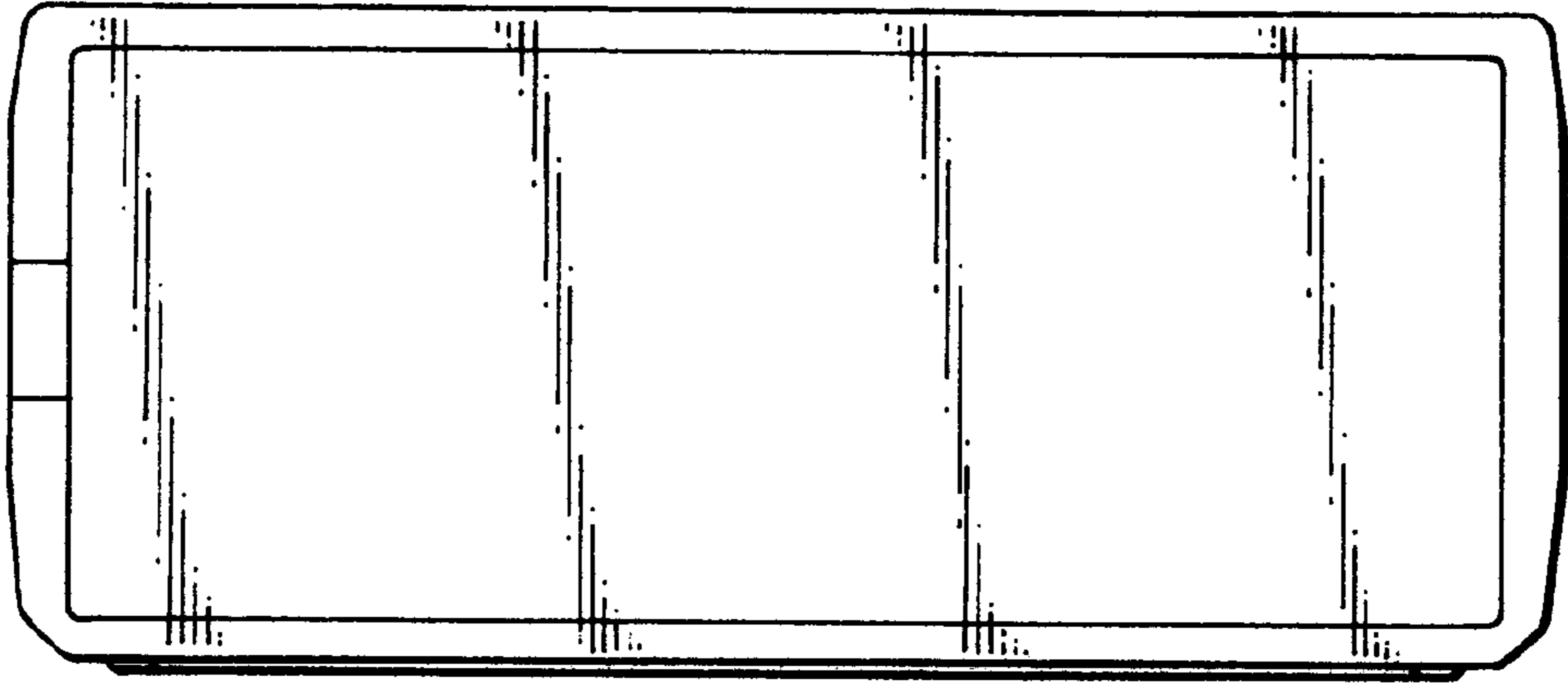


FIG. 6

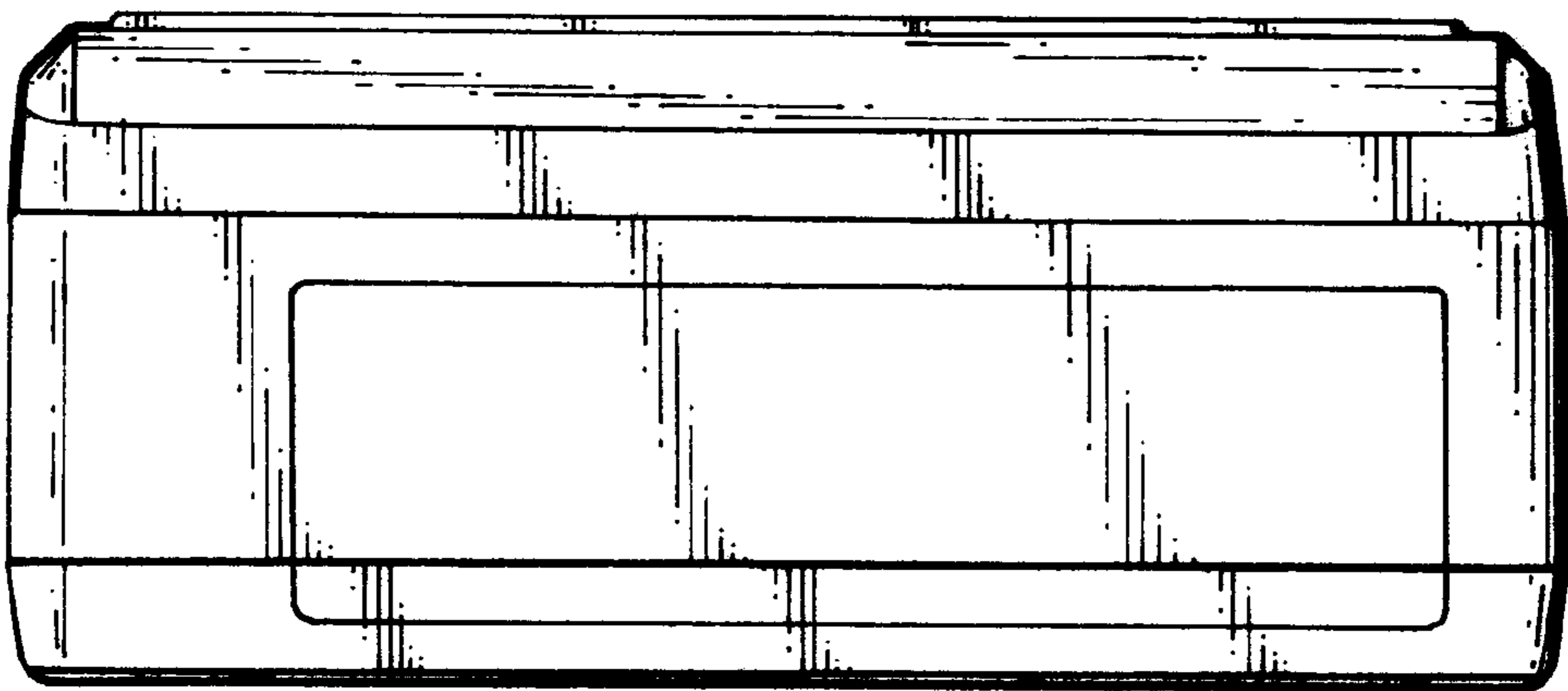


FIG. 8

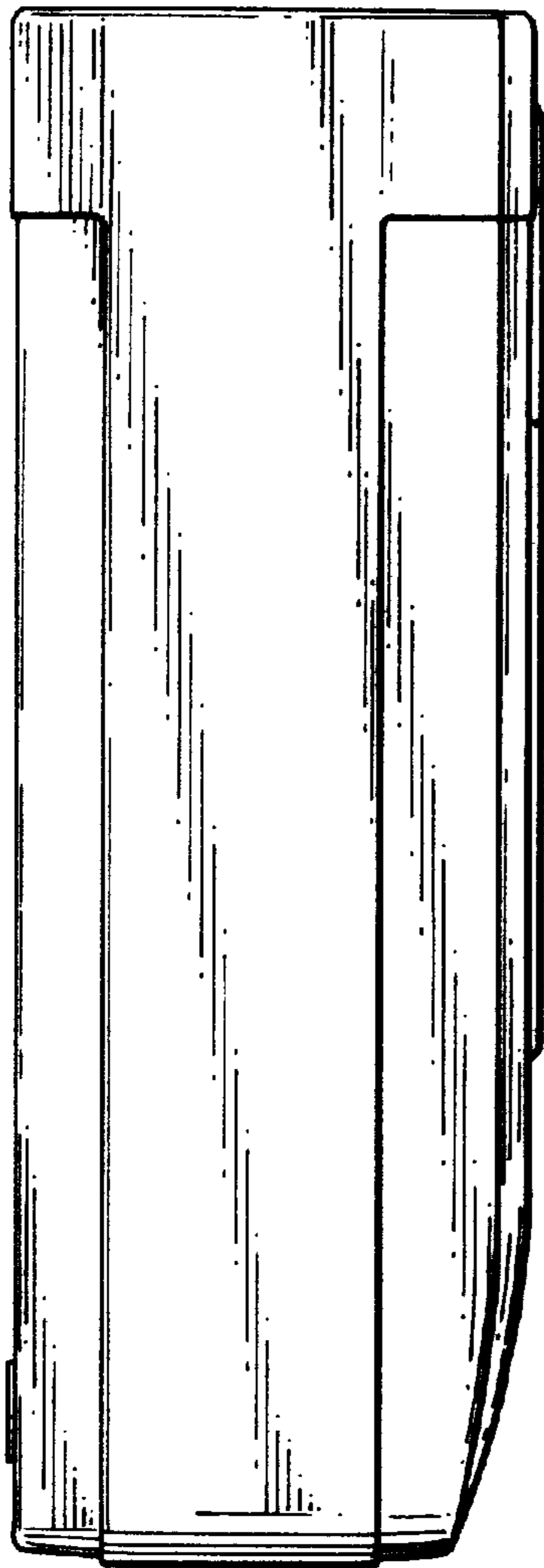


FIG. 7

