



US00D444810S

(12) **United States Design Patent**  
**Itoh**

(10) **Patent No.:** **US D444,810 S**

(45) **Date of Patent:** **\*\* Jul. 10, 2001**

(54) **TONER STORAGE CONTAINER FOR A  
COPYING MACHINE**

D. 410,247 \* 5/1999 Nomura ..... D18/43

\* cited by examiner

(75) Inventor: **Shinichi Itoh**, Yokohoma (JP)

*Primary Examiner*—Caron D. Veynar

(73) Assignee: **Toshiba Tec Kabushiki Kaisha**, Tokyo (JP)

(74) *Attorney, Agent, or Firm*—Oblon, Spivak, McClelland, Maier & Neustadt, P.C.

(\*\*) Term: **14 Years**

(57) **CLAIM**

(21) Appl. No.: **29/132,254**

The ornamental design for a toner storage container for a copying machine, as shown.

(22) Filed: **Nov. 7, 2000**

(30) **Foreign Application Priority Data**

**DESCRIPTION**

May 12, 2000 (JP) ..... 12-012523

FIG. 1 is a front, top and right side perspective view of toner storage container for a copying machine showing my new design;

(51) **LOC (7) Cl.** ..... **16-03**

FIG. 2 is a front elevational view thereof;

(52) **U.S. Cl.** ..... **D18/43**

FIG. 3 is a top plan view thereof;

(58) **Field of Search** ..... D18/40, 43, 56;  
399/24-27, 31, 119-123, 130, 134, 262;  
222/DIG. 1

FIG. 4 is a rear elevational view thereof;

FIG. 5 is a bottom plan view thereof;

(56) **References Cited**

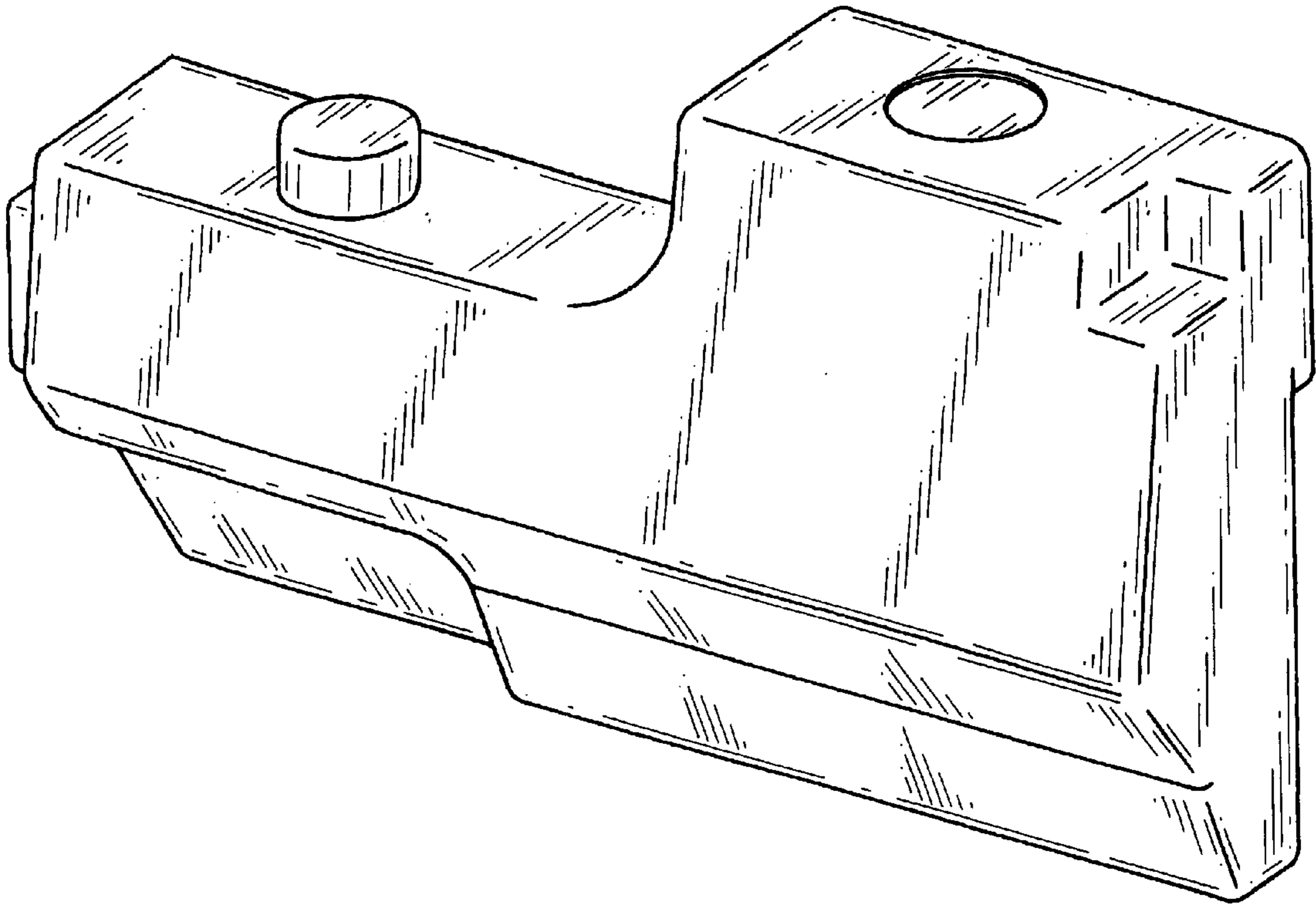
FIG. 6 is a left side elevational view thereof; and,

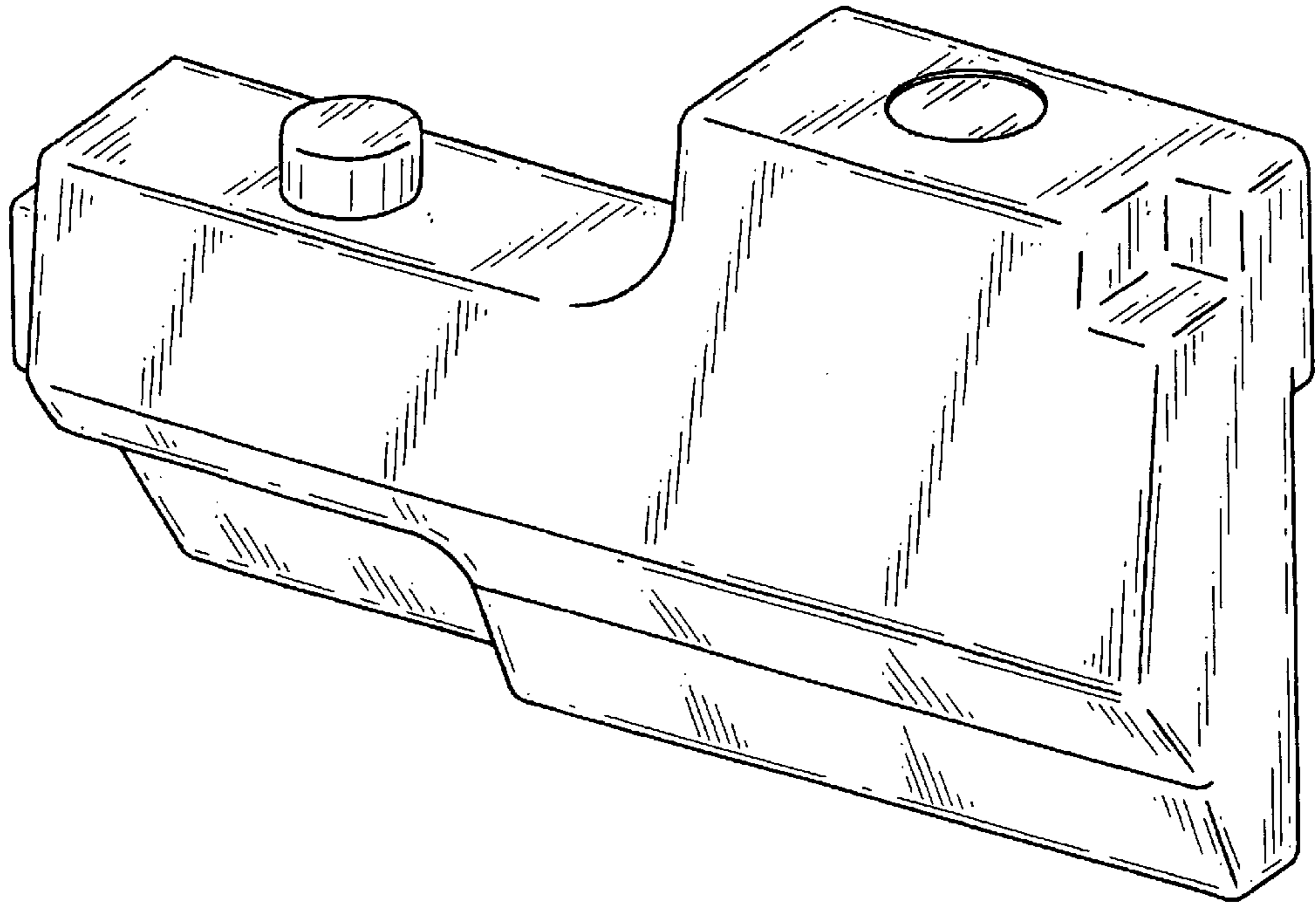
FIG. 7 is a right side elevational view thereof.

**U.S. PATENT DOCUMENTS**

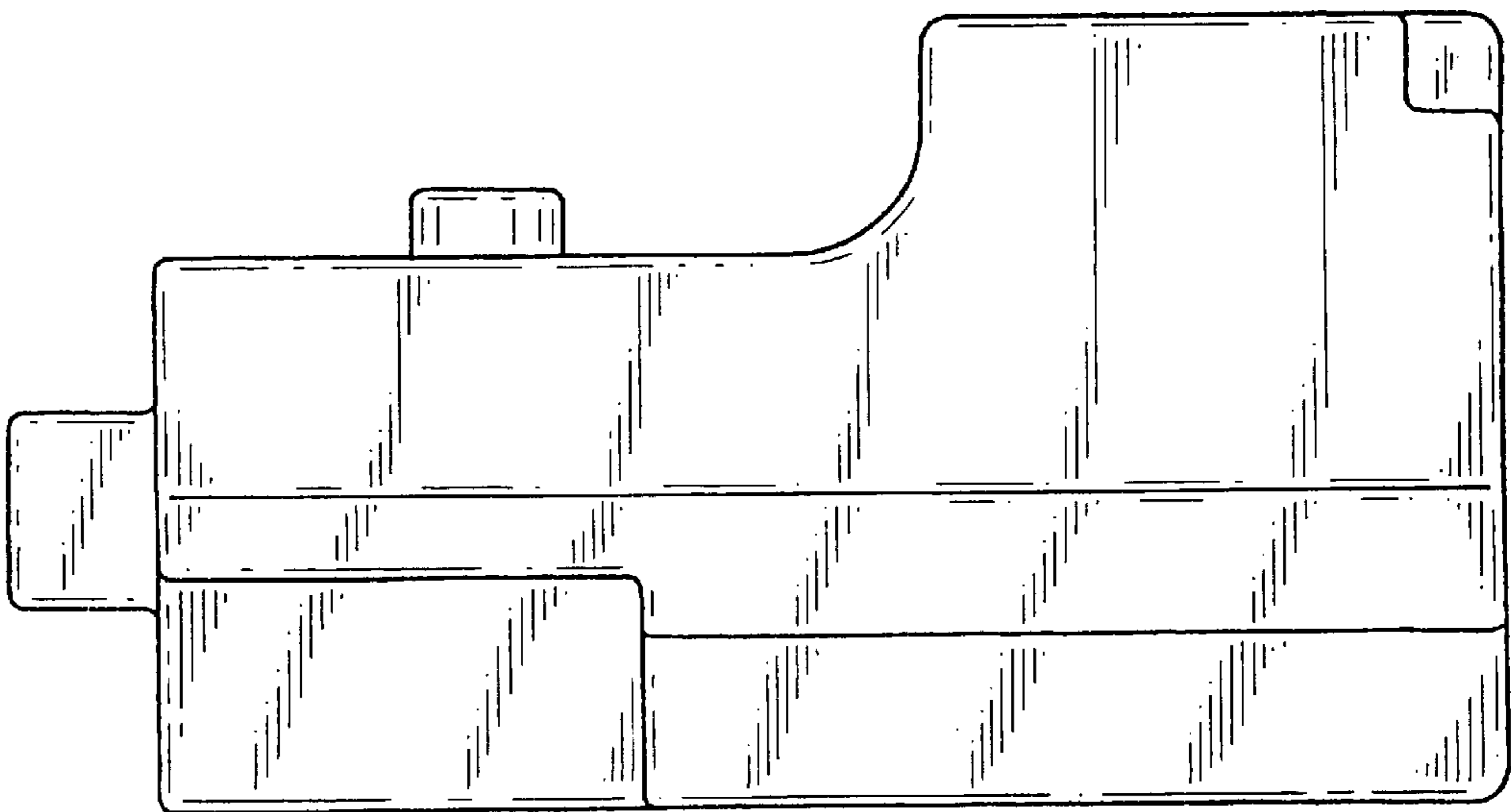
D. 358,163 \* 5/1995 Nomura ..... D18/43

**1 Claim, 3 Drawing Sheets**

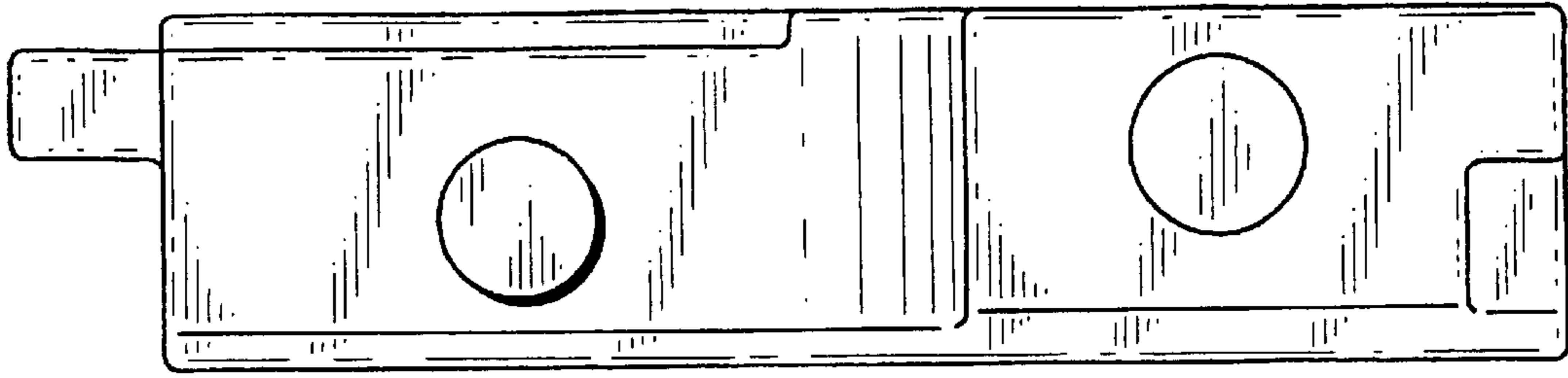




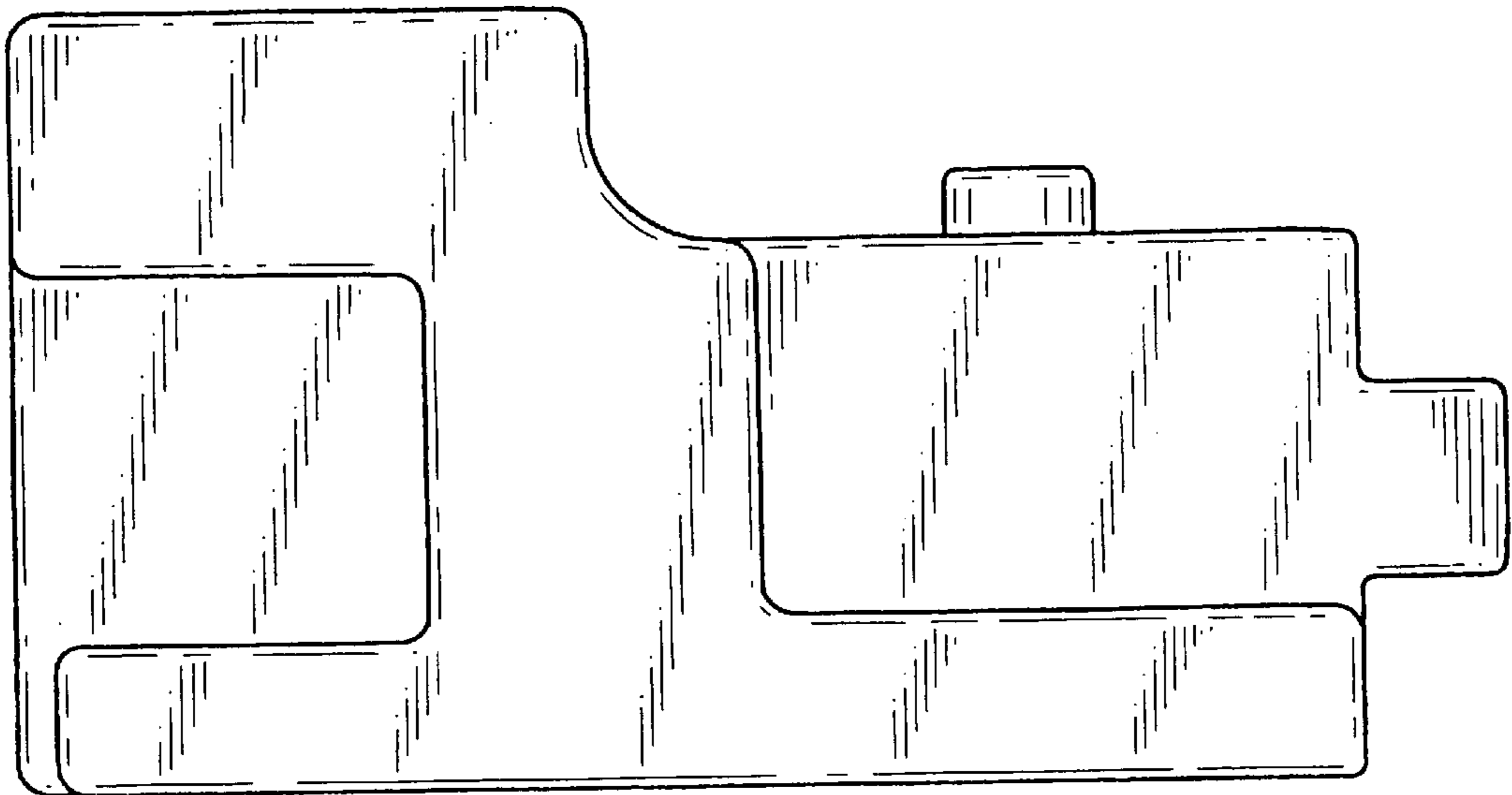
*Fig. 1*



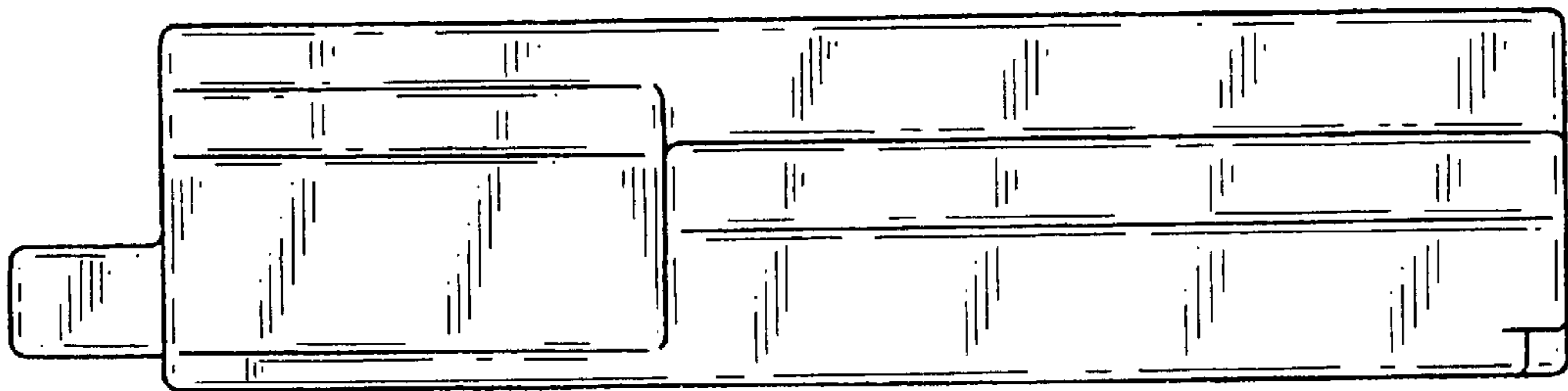
*Fig. 2*



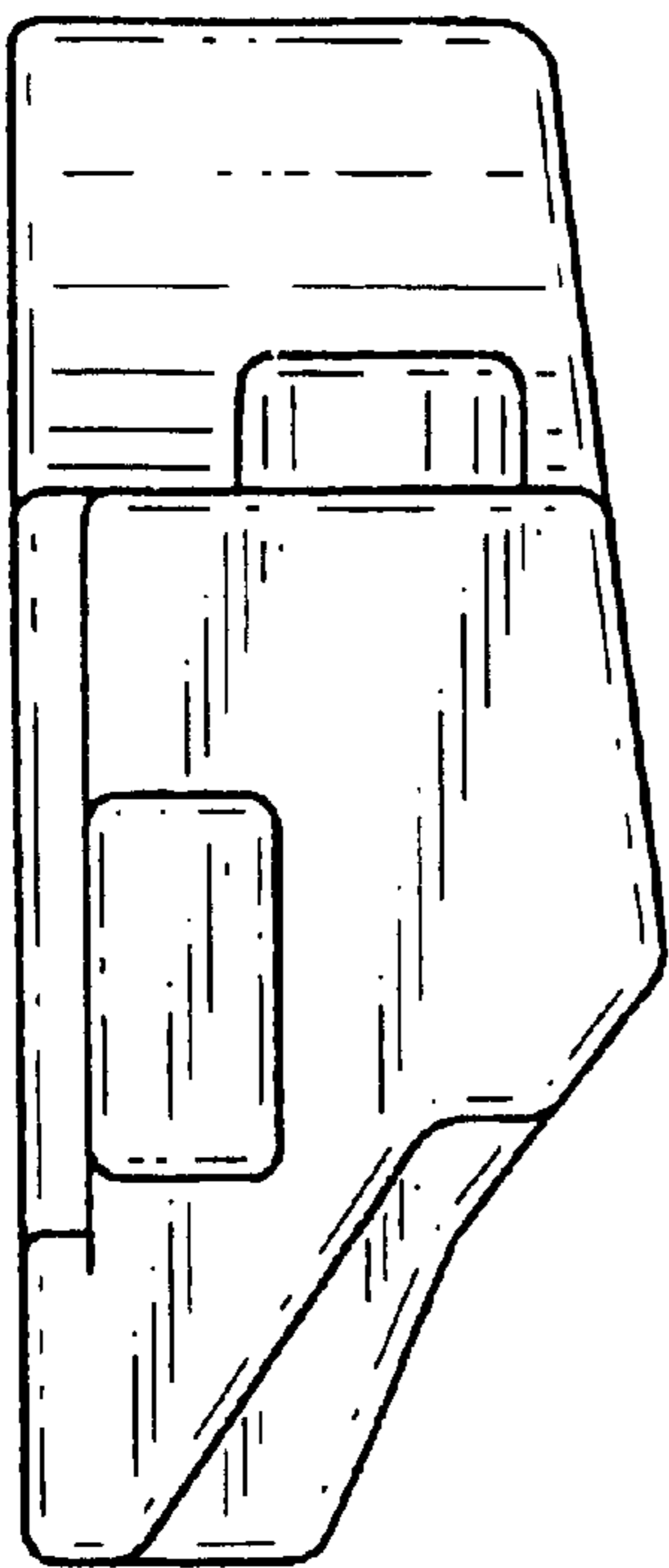
*Fig.3*



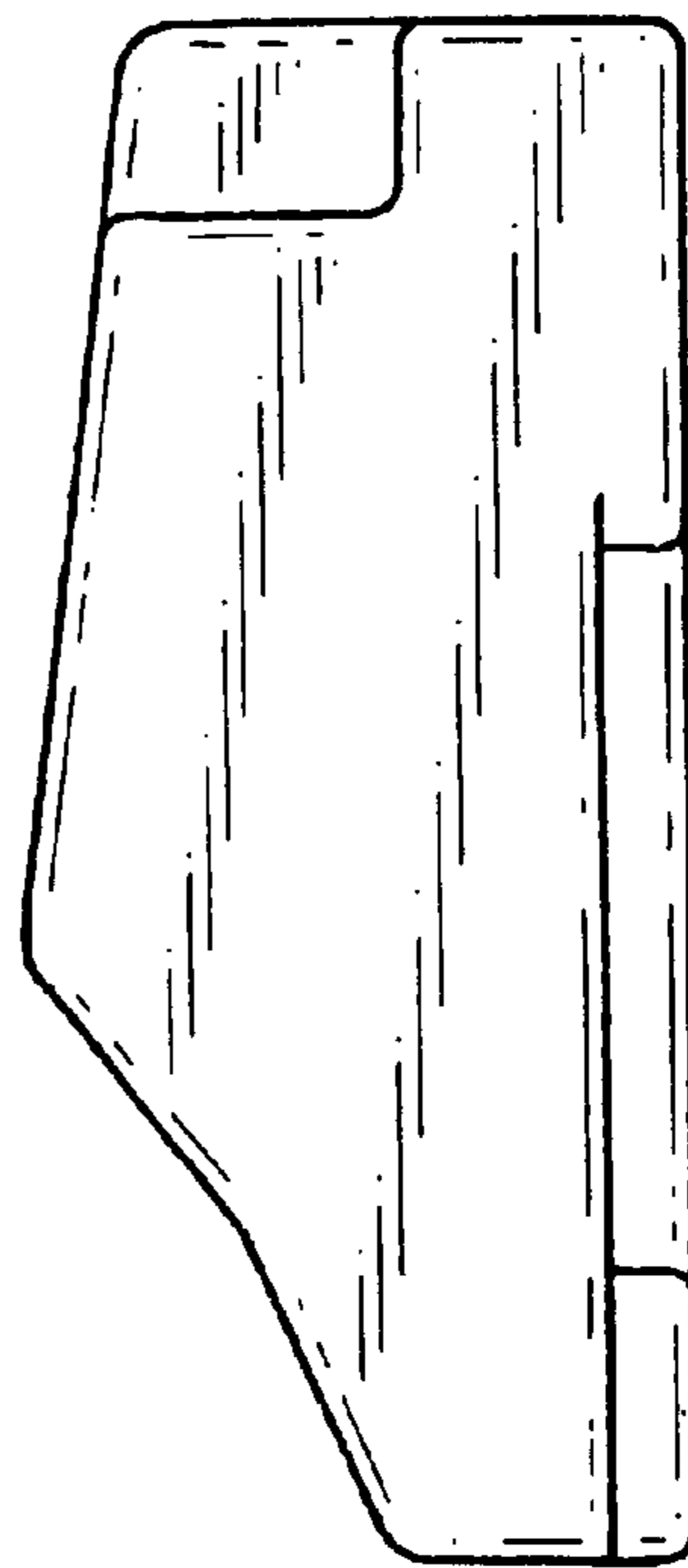
*Fig.4*



*Fig.5*



*Fig. 6*



*Fig. 7*