



US00D444809S

(12) **United States Design Patent**
Chang

(10) **Patent No.:** **US D444,809 S**

(45) **Date of Patent:** **** Jul. 10, 2001**

(54) **SHREDDER**

5,400,978 * 3/1995 Strohmeyer 241/236

(76) Inventor: **Frank Chang**, 3rd Fl., 200, Hsin-Yi Rd., Section 3, Taipei (TW)

* cited by examiner

(**) Term: **14 Years**

Primary Examiner—Melody N. Brown

(74) *Attorney, Agent, or Firm*—Dougherty & Troxell

(21) Appl. No.: **29/124,086**

(22) Filed: **May 31, 2000**

(57) **CLAIM**

The ornamental design for a shredder, as shown and described.

(51) **LOC (7) Cl.** **18-04**

DESCRIPTION

(52) **U.S. Cl.** **D18/34**

FIG. 1 is a perspective view of the shredder, showing my design;

(58) **Field of Search** D18/34, 99; D19/72;
D15/127–129, 141; 241/236, 100, 169.1

FIG. 2 is a right side elevational view;

FIG. 3 is a left side elevational view;

FIG. 4 is a rear elevational view;

FIG. 5 is a front elevational view;

FIG. 6 is a top plan view; and,

FIG. 7 is a bottom plan view thereof.

(56) **References Cited**

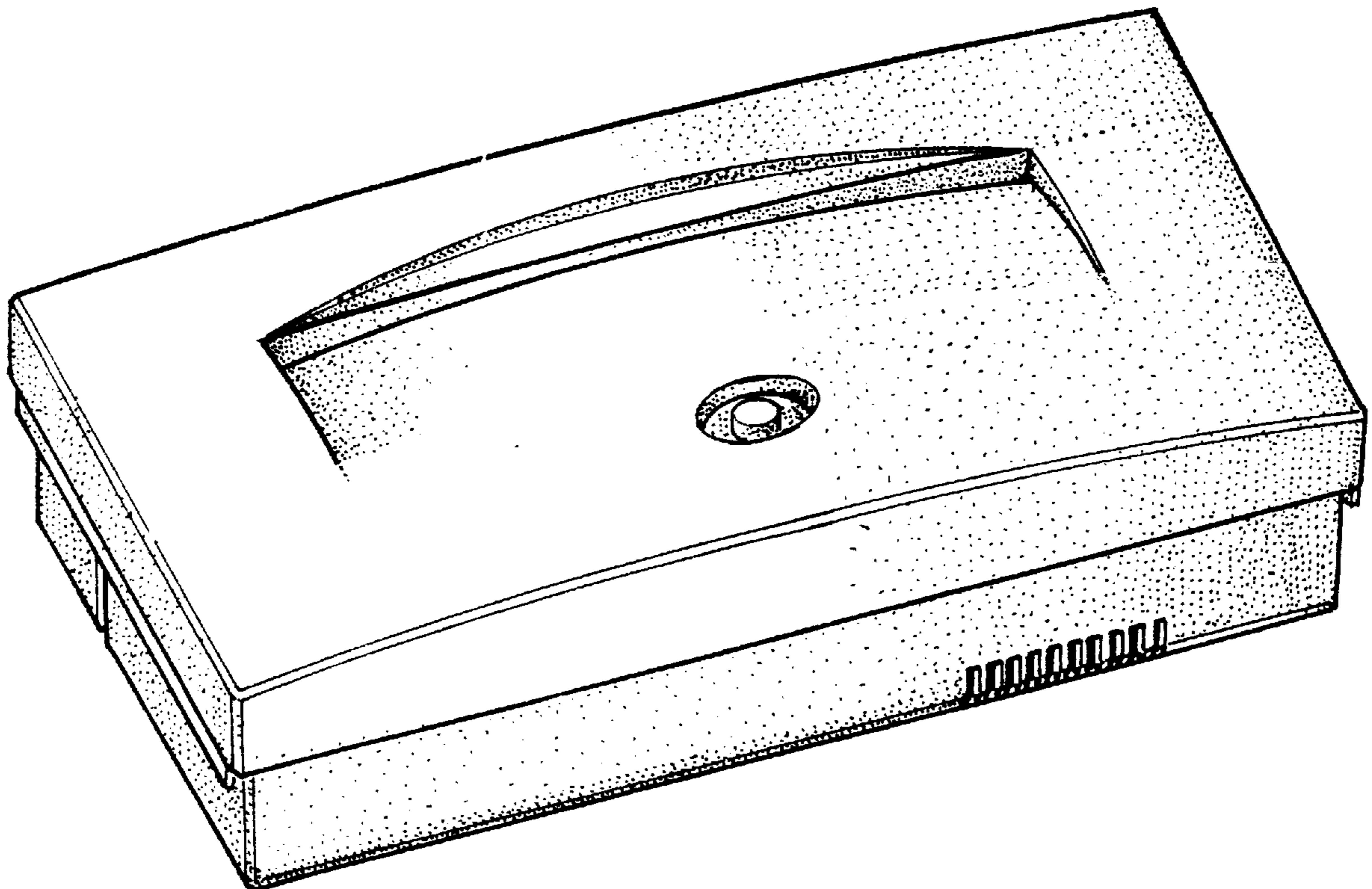
U.S. PATENT DOCUMENTS

D. 410,246 * 5/1999 Holderfield D18/34

D. 410,946 * 6/1999 Holderfield D18/34

D. 435,060 * 12/2000 Hung D18/34

1 Claim, 4 Drawing Sheets



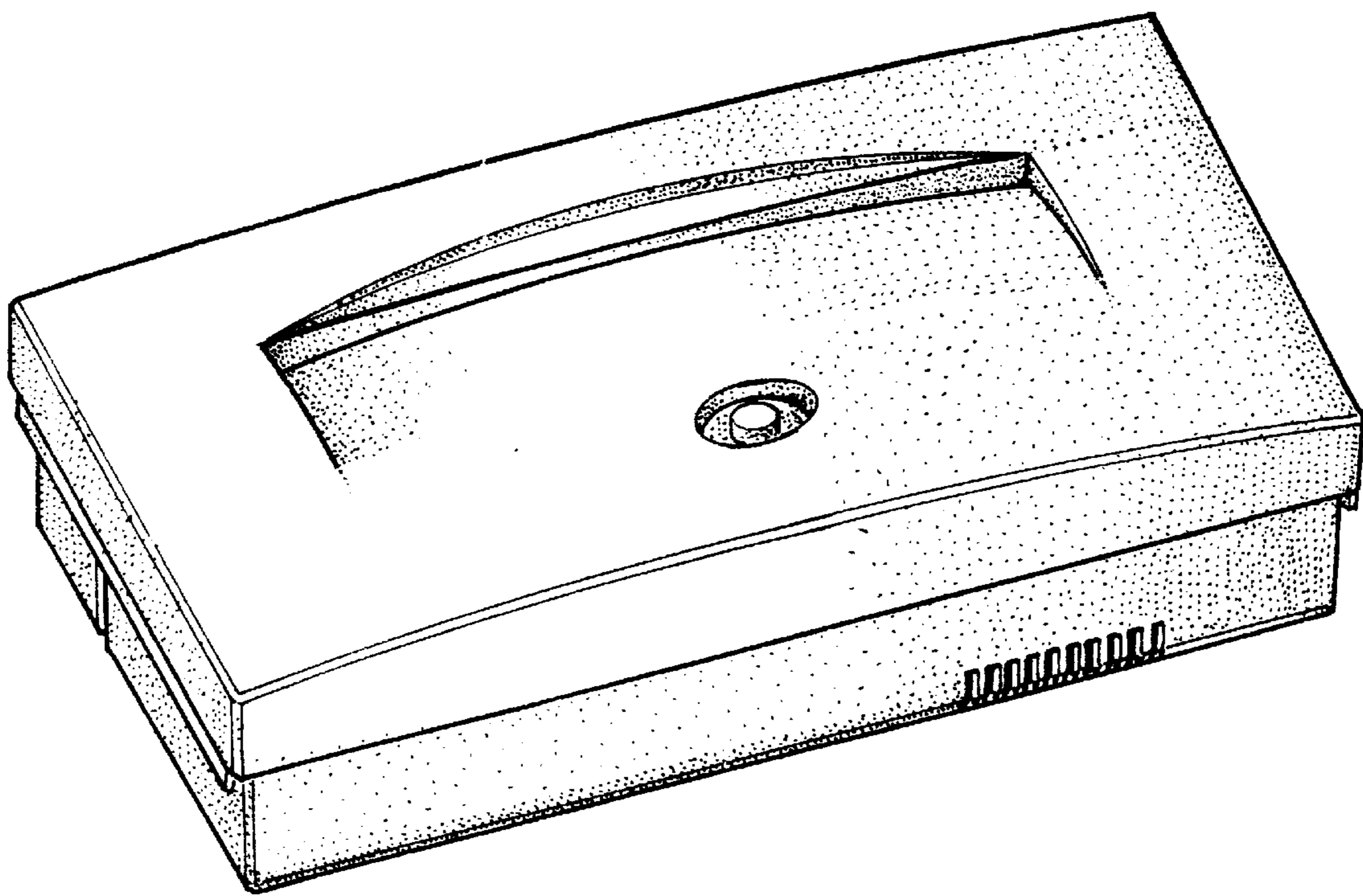


Fig. 1

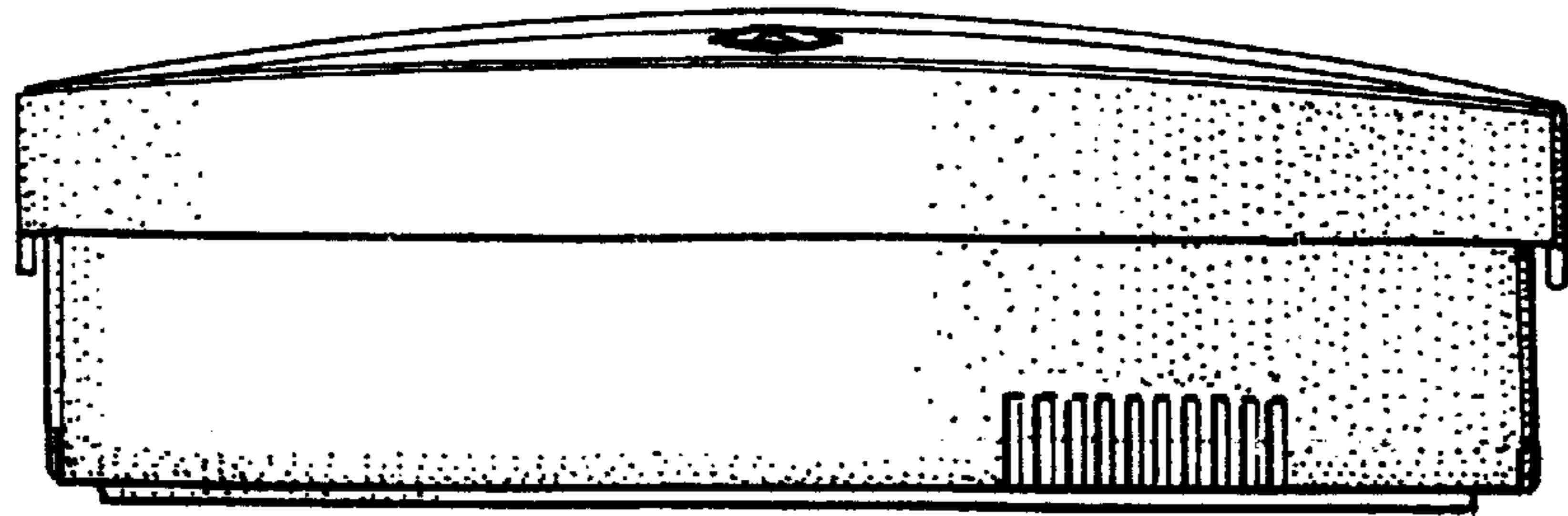


Fig. 5

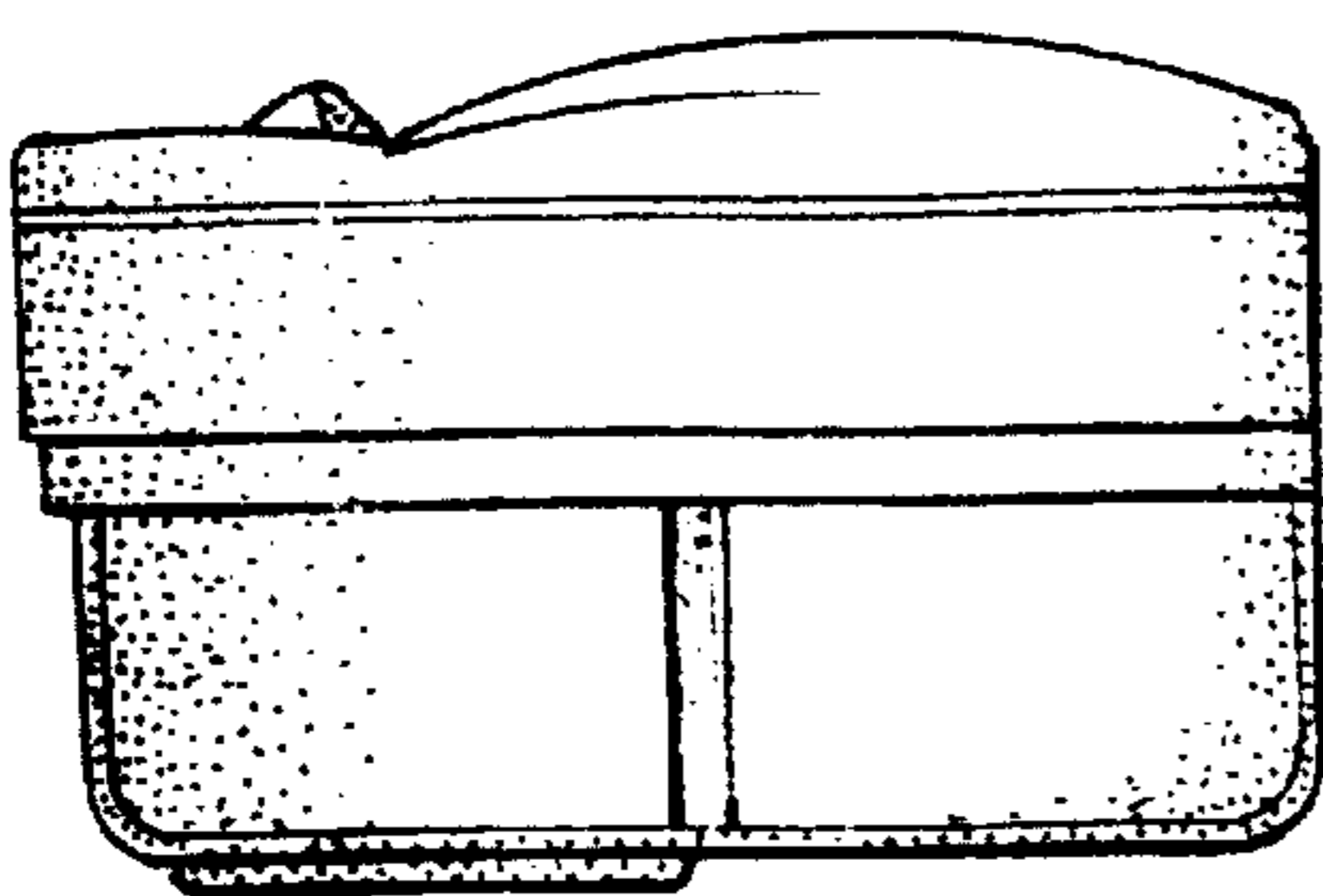


Fig. 3

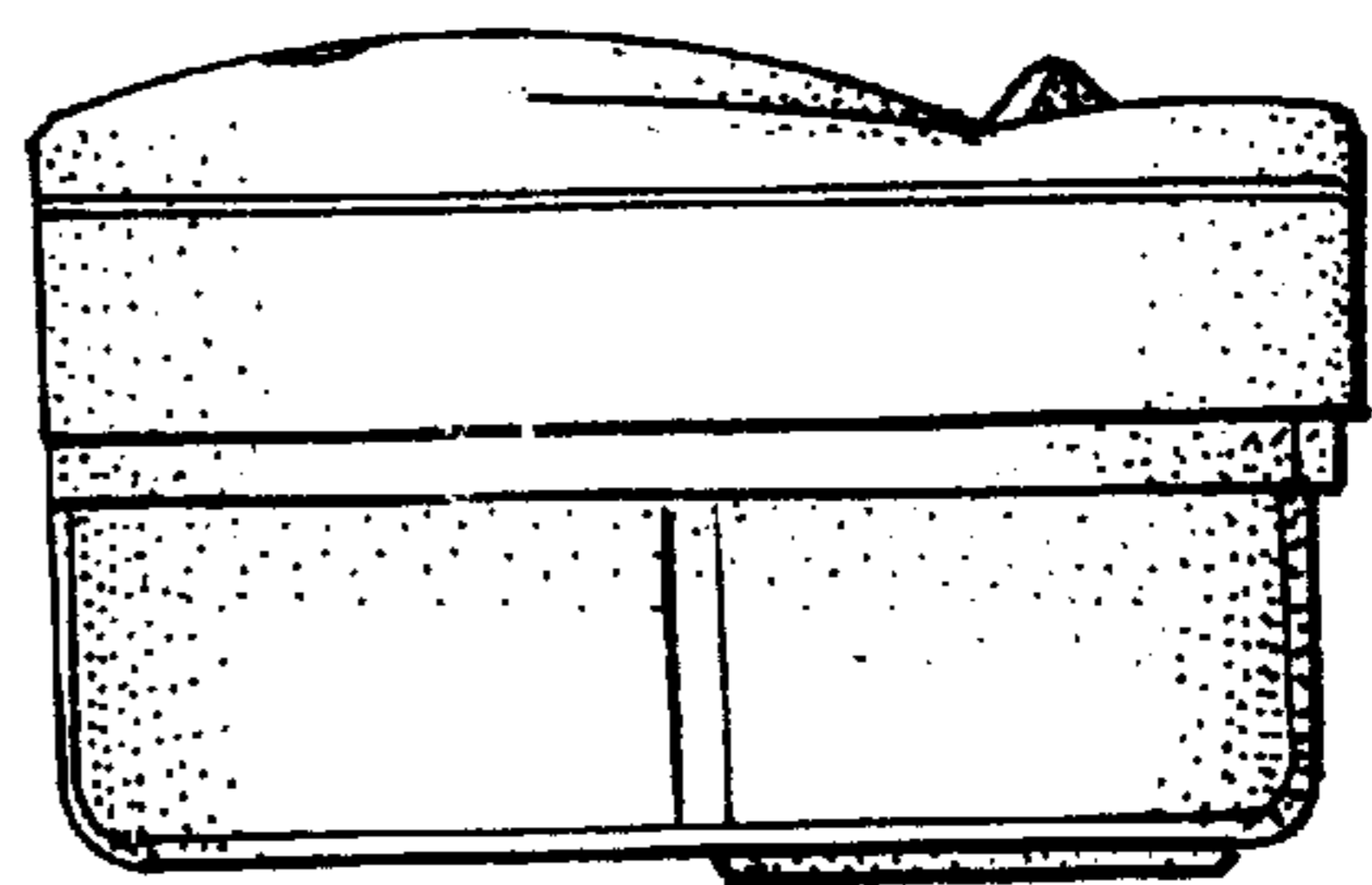


Fig. 2

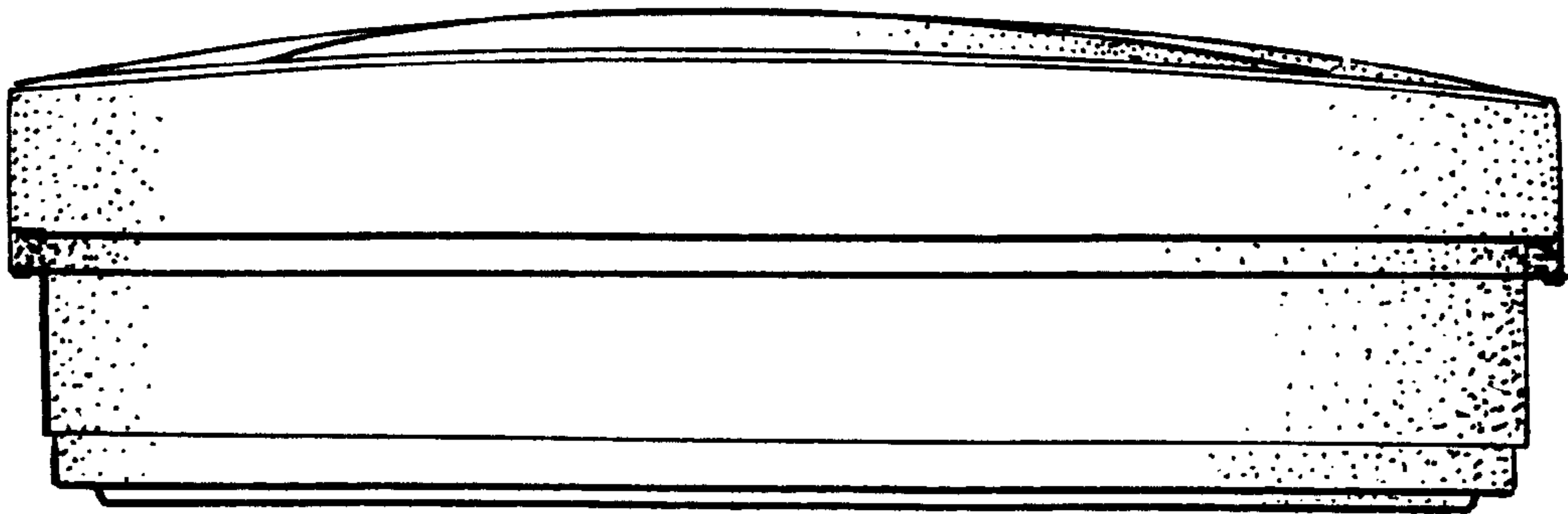


Fig. 4

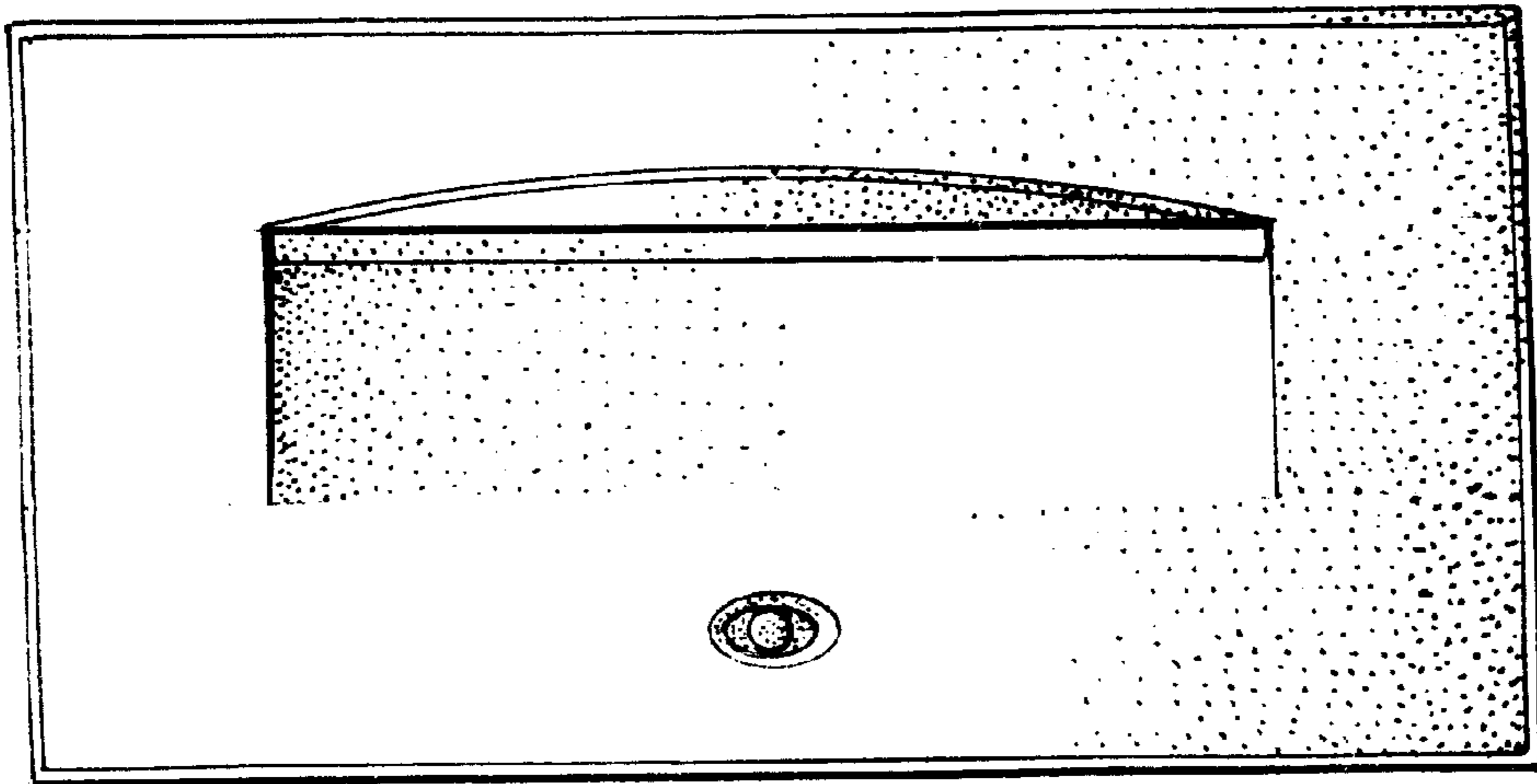


Fig. 6

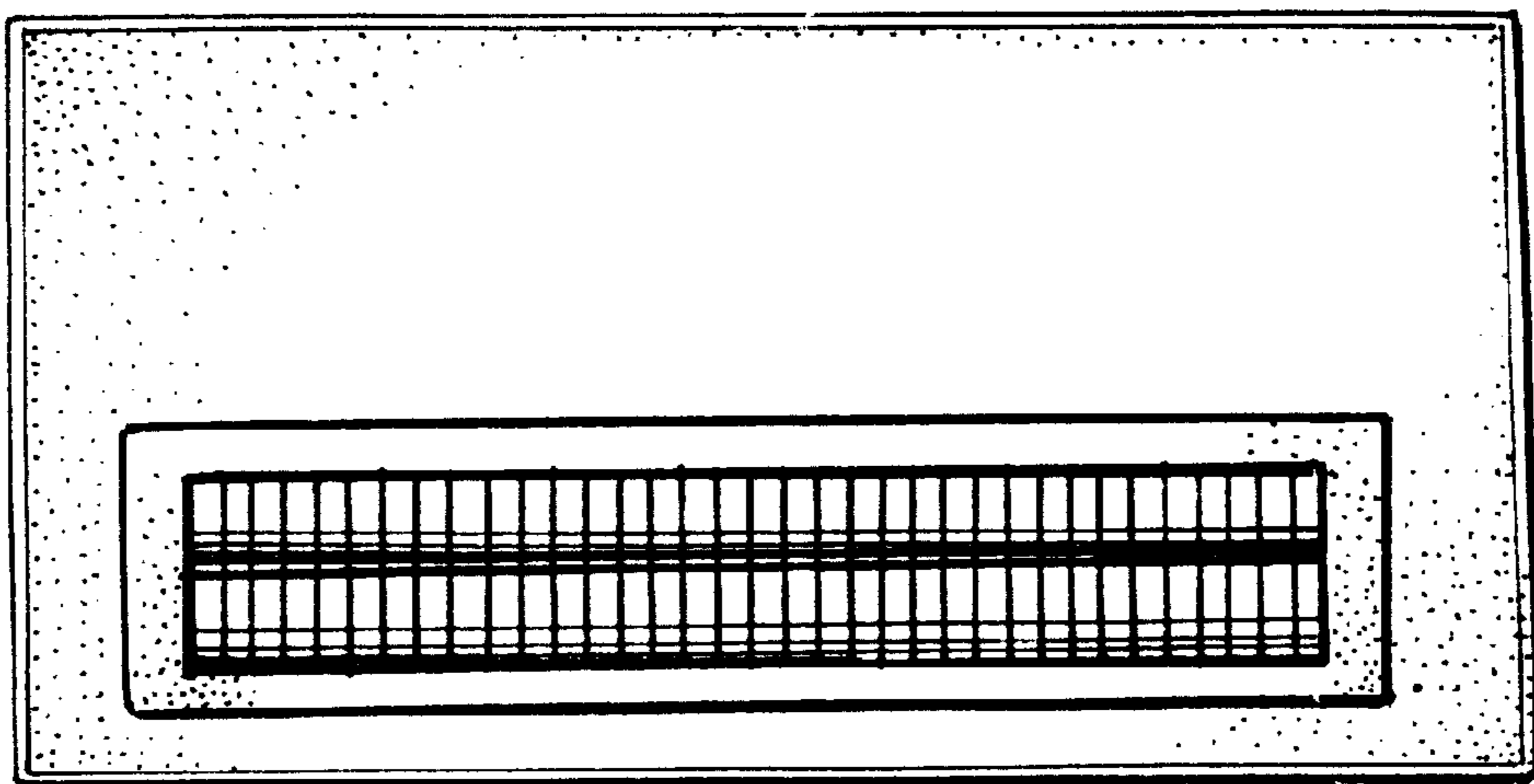


Fig. 7