



US00D444807S

(12) **United States Design Patent**
Cheung

(10) **Patent No.:** **US D444,807 S**

(45) **Date of Patent:** **** Jul. 10, 2001**

(54) **HAND STAMP**

(76) **Inventor:** **Wo Man Cheung**, 35 Kallang Pudding Road, Bik A, Tong Lee Building, 05-09 Singapore (SG), 349314

(**) **Term:** **14 Years**

(21) **Appl. No.:** **29/101,863**

(22) **Filed:** **Mar. 12, 1999**

(51) **LOC (7) Cl.** **19-02**

(52) **U.S. Cl.** **D18/15**

(58) **Field of Search** D18/14-18; D19/70;
118/264, 268; 101/103, 125, 327, 333,
334, 368, 371-373, 376, 405, 406

(56) **References Cited**

U.S. PATENT DOCUMENTS

D. 427,234	*	6/2000	Loy et al.	D18/15
4,022,127	*	5/1977	Carlsson et al.	101/327
4,203,362	*	5/1980	Underwood et al.	101/327
4,649,819	*	3/1987	Voto, Jr. et al.	101/327
5,048,415	*	9/1991	Shih	101/103

OTHER PUBLICATIONS

Jacobs-Gardner Office Products' 1988 Catalog p. 723, Item F; top left of page.*

* cited by examiner

Primary Examiner—Alan P. Douglas

Assistant Examiner—Clare E. Heflin

(74) *Attorney, Agent, or Firm*—Galgano & Burke

(57) **CLAIM**

The ornamental design for a hand stamp, as shown and described.

DESCRIPTION

FIG. 1 is a front elevational view of the hand stamp showing my new design;

FIG. 2 is a side elevational view thereof, the opposite side being a mirror image thereof;

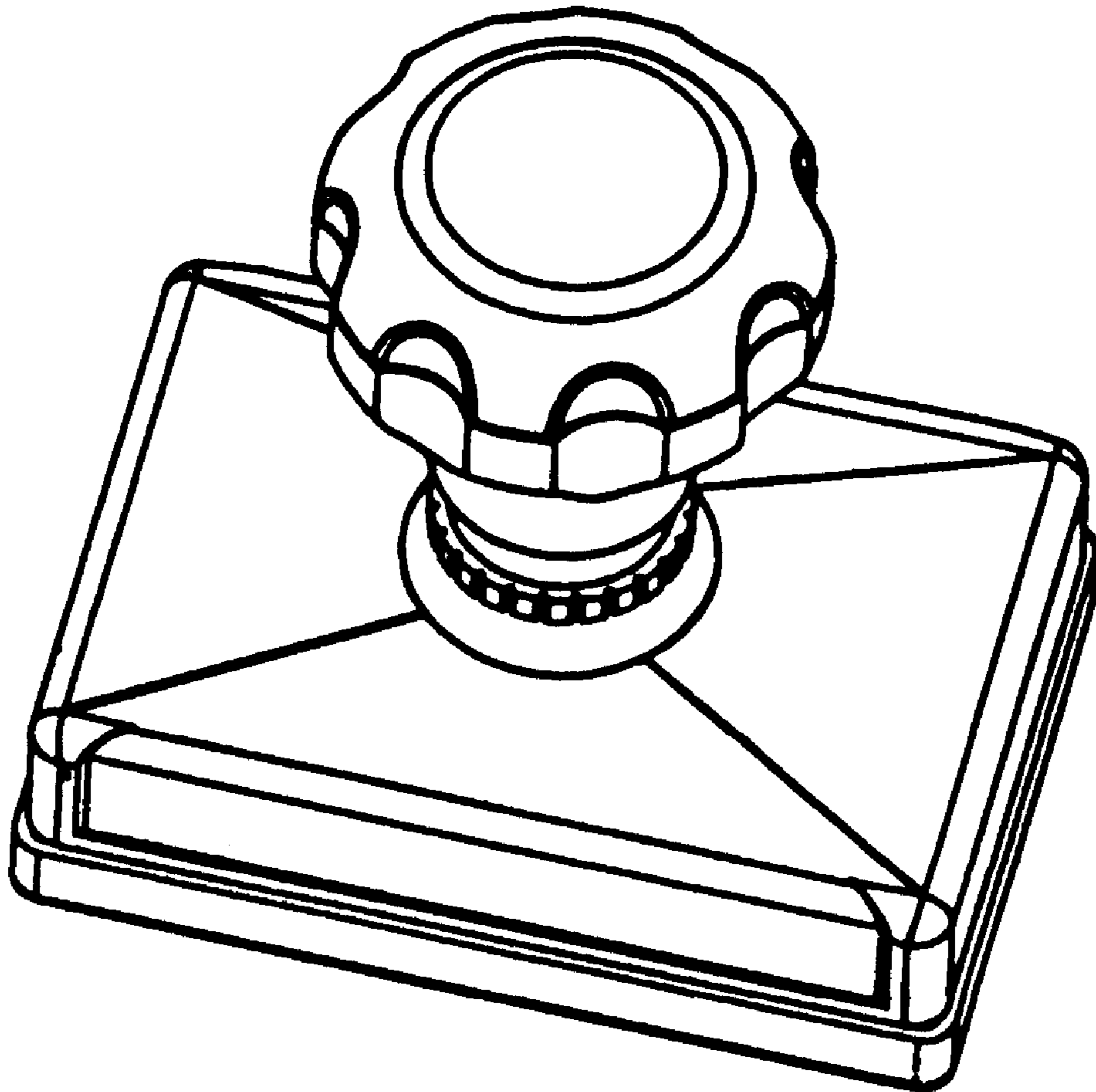
FIG. 3 is a top, front and side perspective view thereof;

FIG. 4 is a further top, front and side perspective view thereof;

FIG. 5 is a top plan view thereof; and,

FIG. 6 is a bottom plan view thereof.

1 Claim, 2 Drawing Sheets



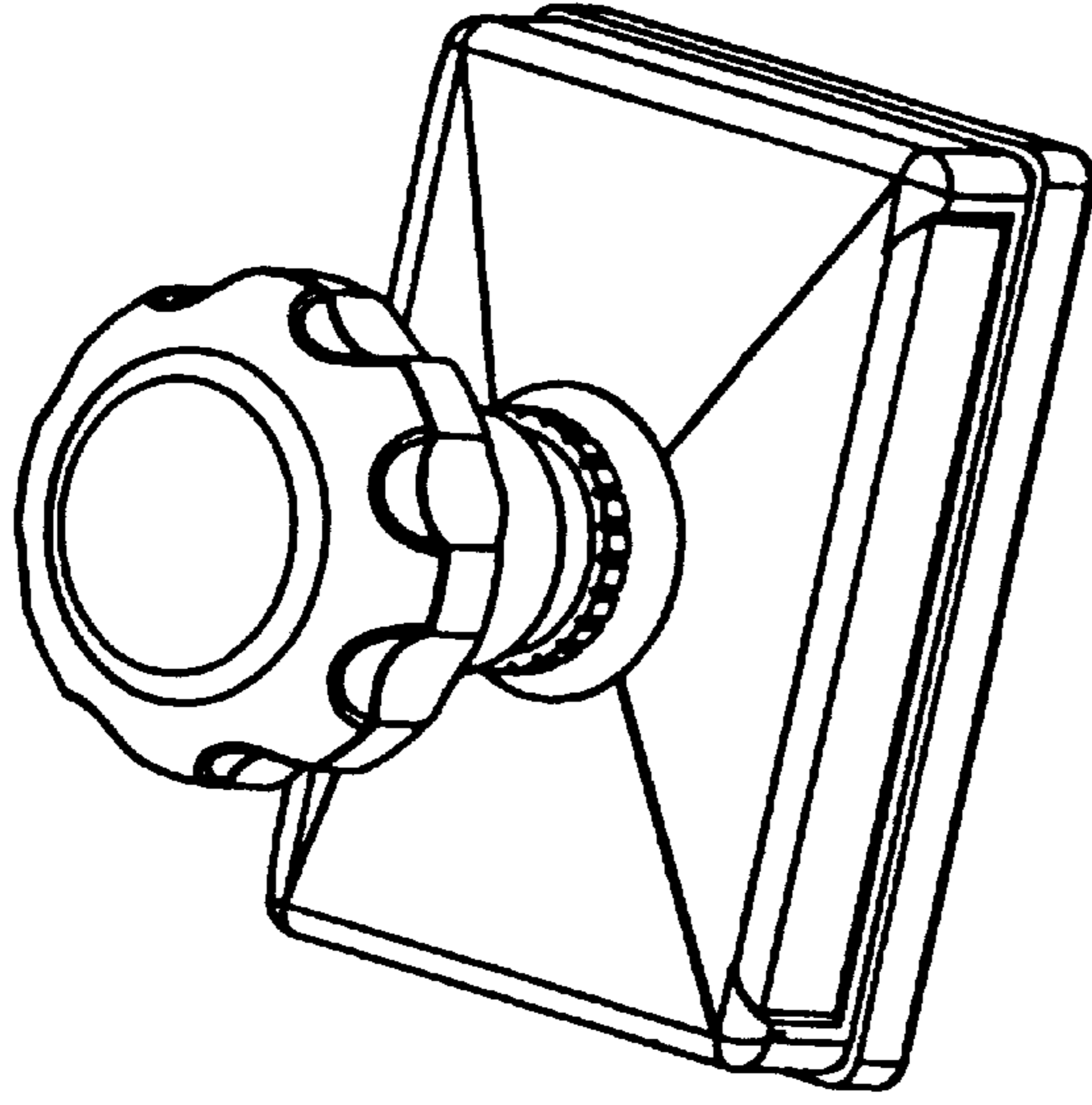


FIG. 3

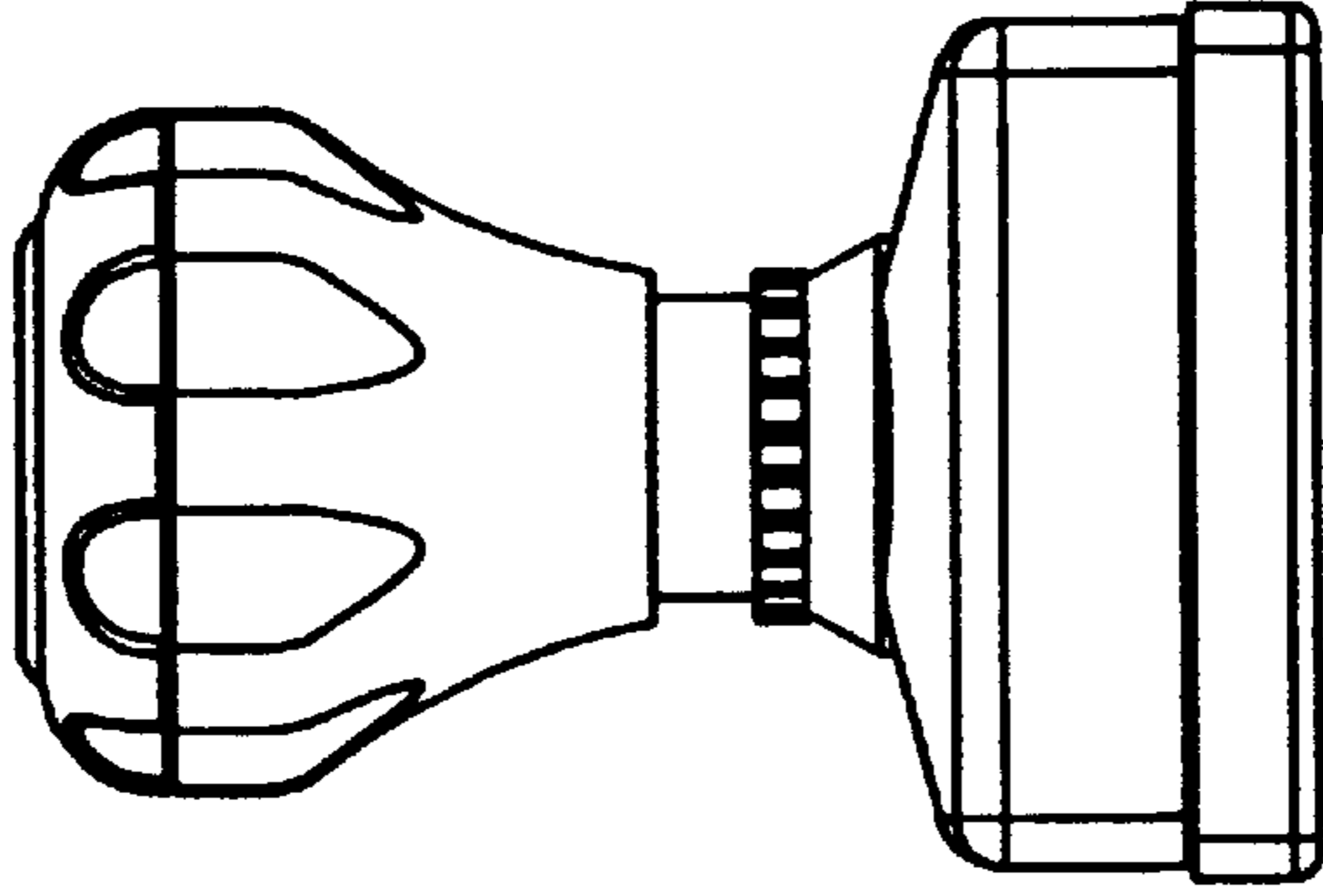


FIG. 2

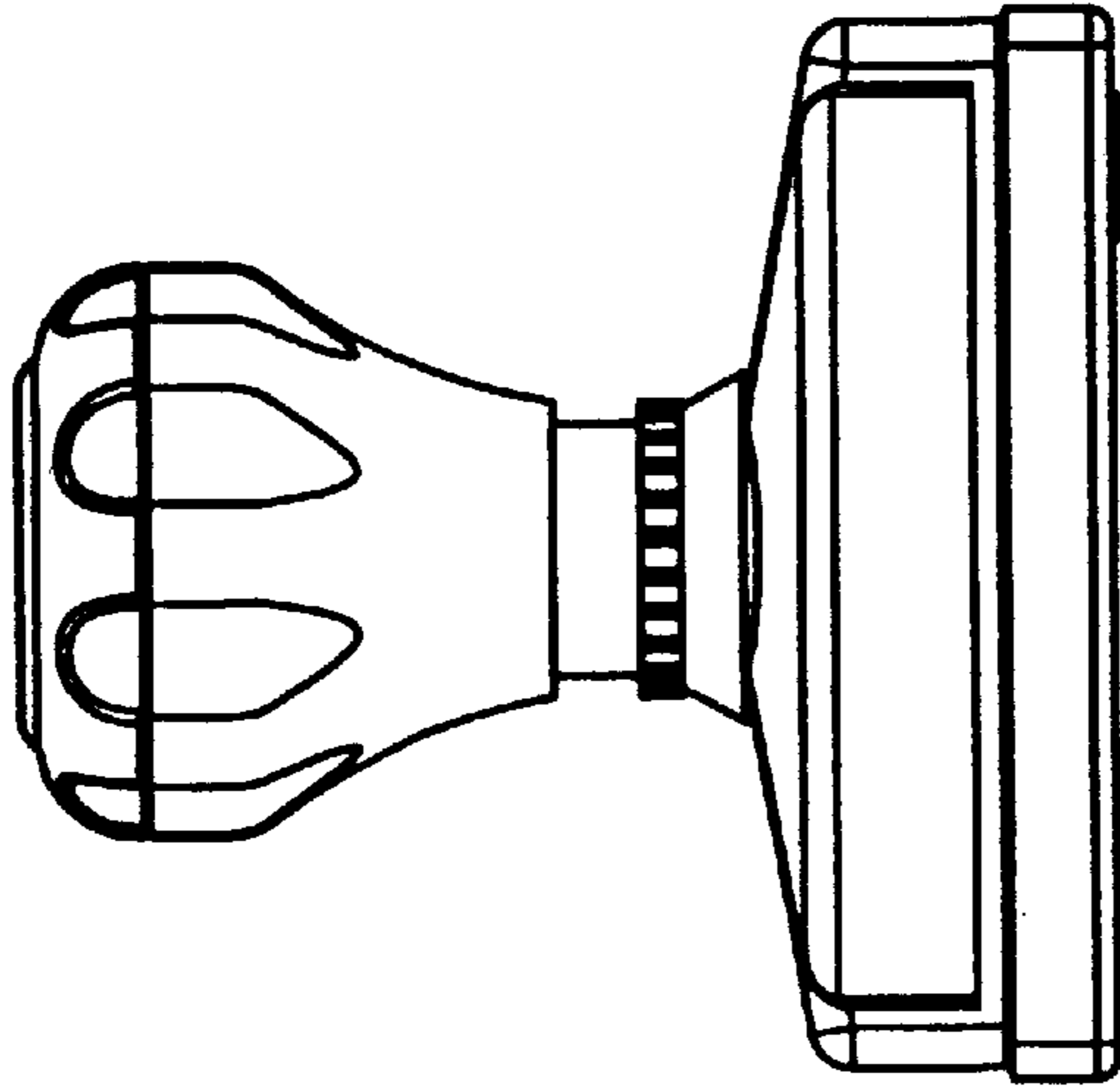


FIG. 1

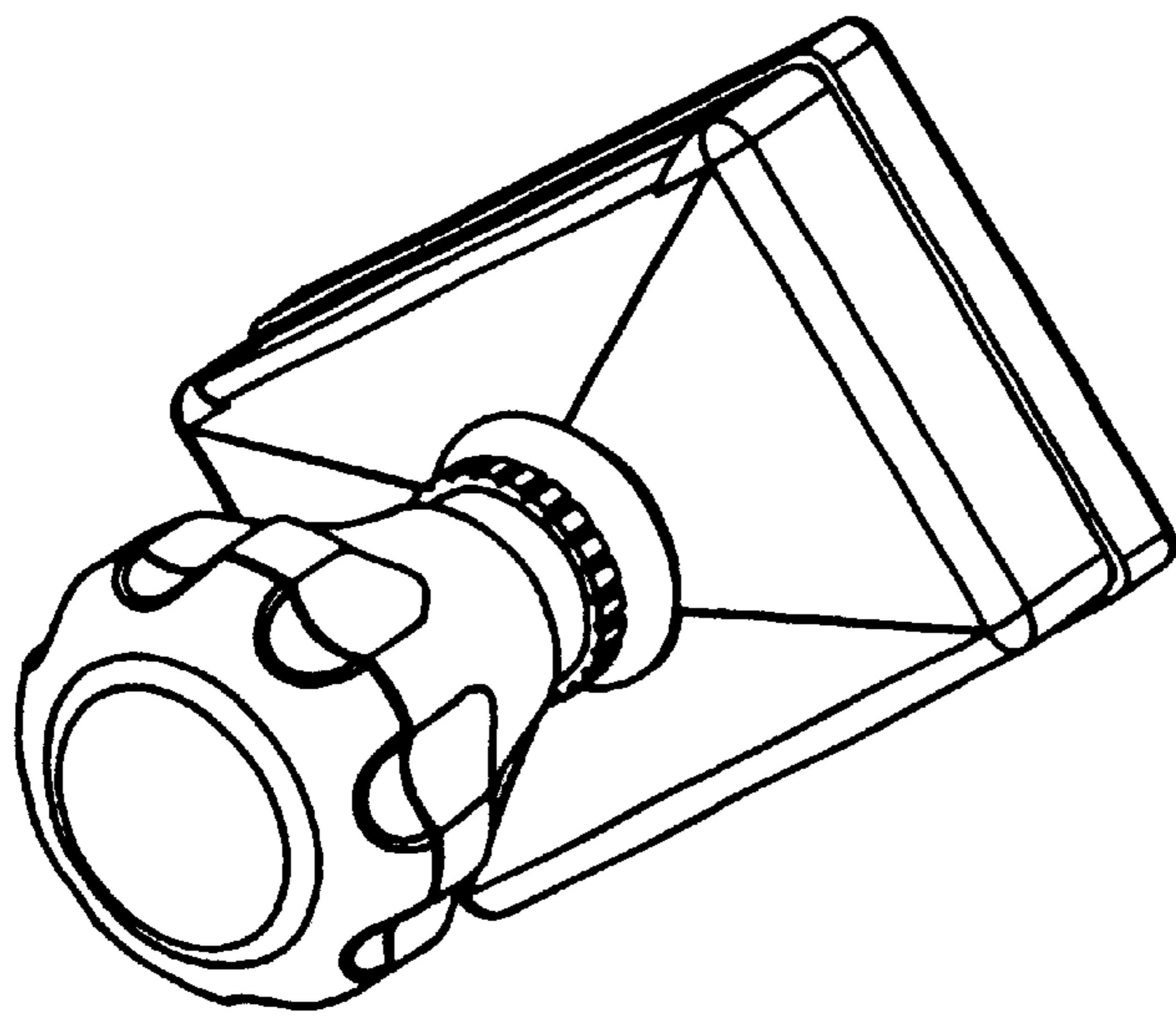


FIG. 4

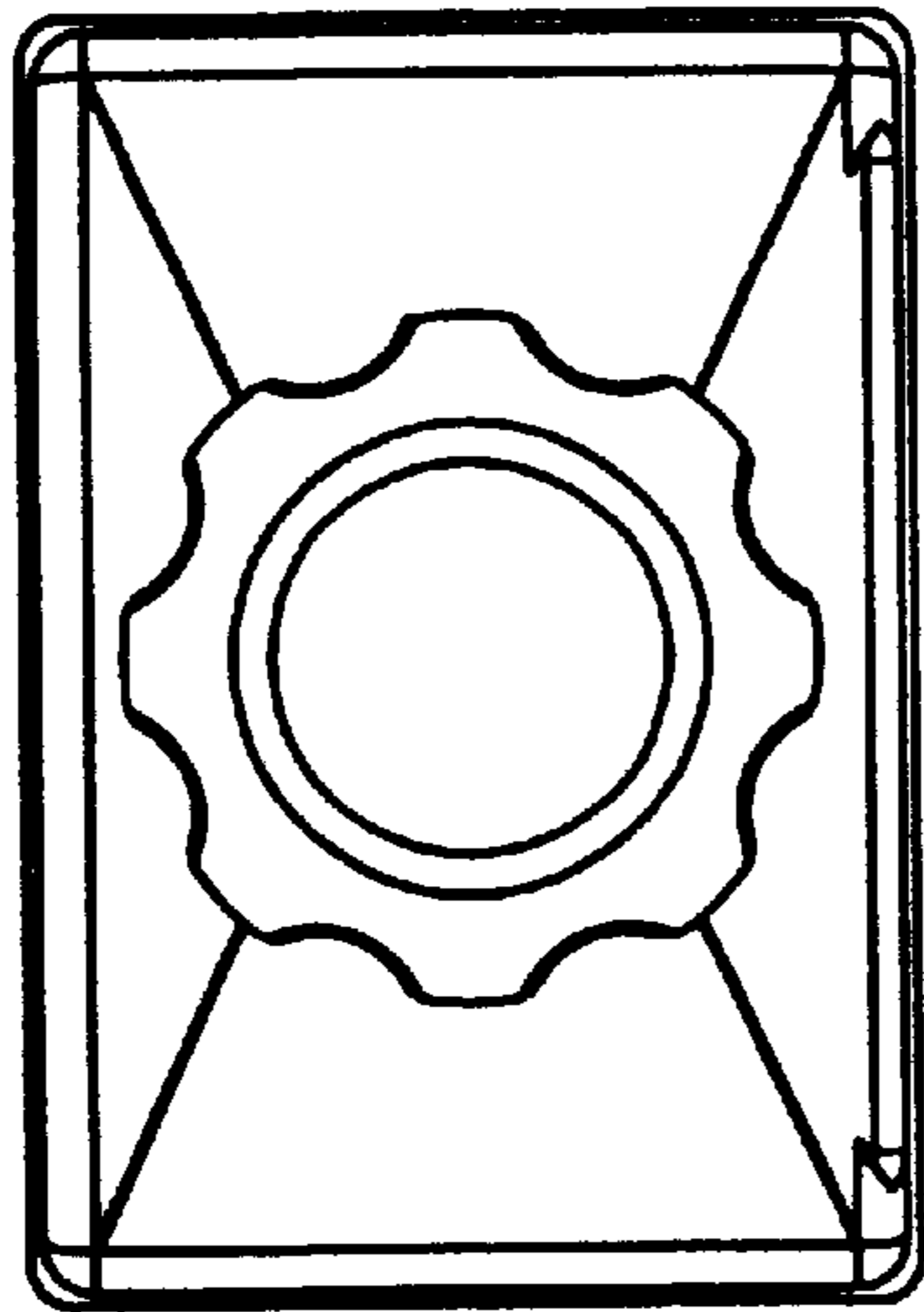


FIG. 5

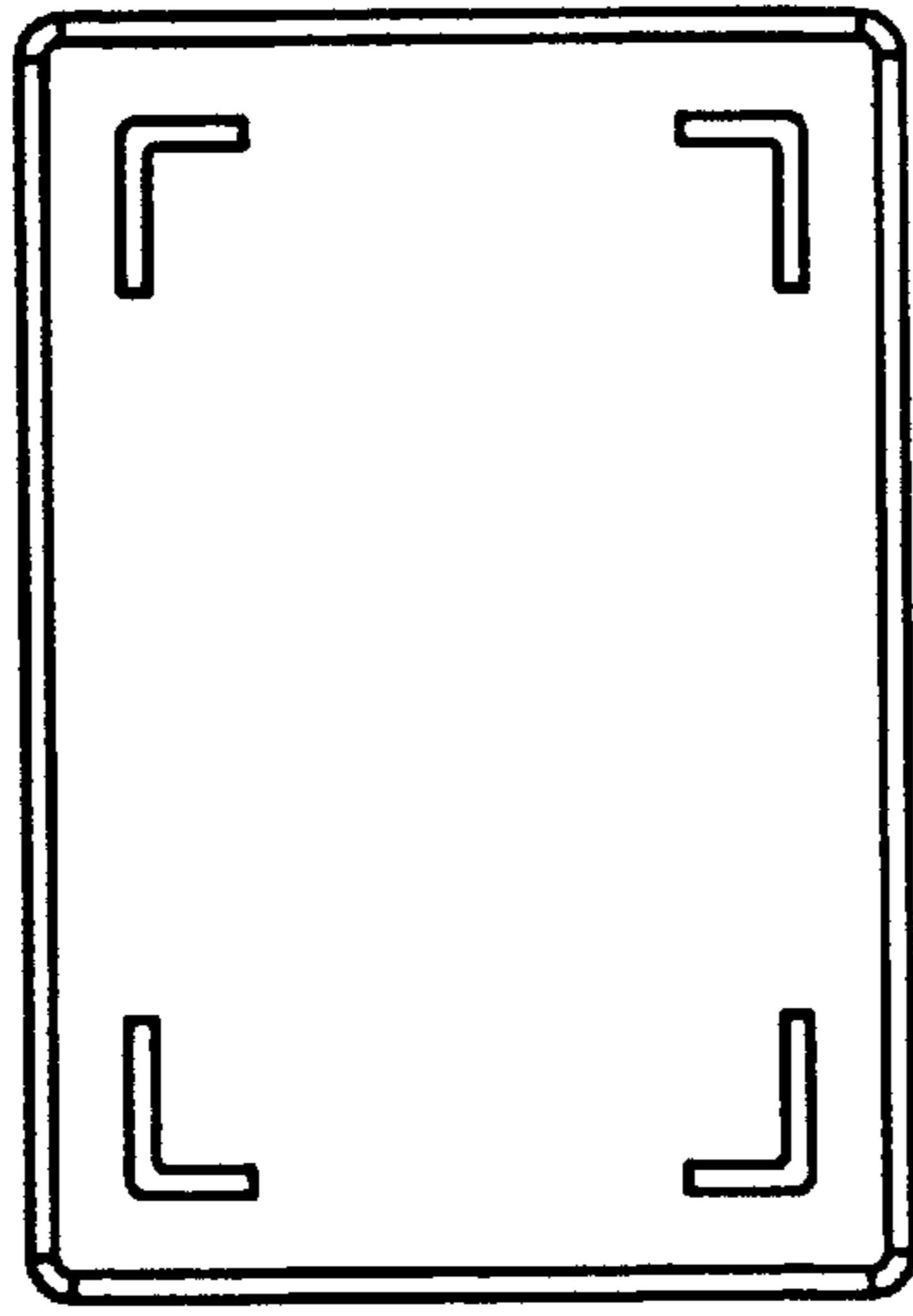


FIG. 6