



US00D444801S

(12) **United States Design Patent**
Welsh

(10) **Patent No.:** **US D444,801 S**

(45) **Date of Patent:** **** Jul. 10, 2001**

(54) **TABLE FOR A SCROLL SAW**

5,176,059 * 1/1993 Anderson 83/466 X

(75) Inventor: **Robert P. Welsh**, Hunt Valley, MD
(US)

* cited by examiner

(73) Assignee: **Black & Decker Inc.**, Newark, DE
(US)

Primary Examiner—Antoine Duval Davis
(74) *Attorney, Agent, or Firm*—Adan Ayala

(**) Term: **14 Years**

(57) **CLAIM**

(21) Appl. No.: **29/115,880**

The ornamental design for a table for a scroll saw, as shown and described.

(22) Filed: **Dec. 22, 1999**

DESCRIPTION

Related U.S. Application Data

(62) Division of application No. 29/082,394, filed on Jan. 21, 1998, now Pat. No. Des. 402,673, which is a continuation of application No. 29/073,714, filed on Jul. 16, 1997, now Pat. No. Des. 397,124, which is a division of application No. 29/062,012, filed on Nov. 5, 1996, now Pat. No. Des. 402,671, which is a continuation of application No. 29/051,852, filed on Mar. 1, 1996, now abandoned.

FIG. 1 is a left side perspective view from the front of my new design of a table for a scroll saw;

FIG. 2 is a left side elevational view of my design;

FIG. 3 is a right side elevational view of my design;

FIG. 4 is a rear elevational view of my design;

FIG. 5 is a front elevational view of my design;

FIG. 6 is a top plan view of my design; and,

FIG. 7 is a right side perspective view from the rear of my new design.

(51) **LOC (7) Cl.** **15-09**

(52) **U.S. Cl.** **D15/133**

(58) **Field of Search** D15/133; 83/662,
83/782-786

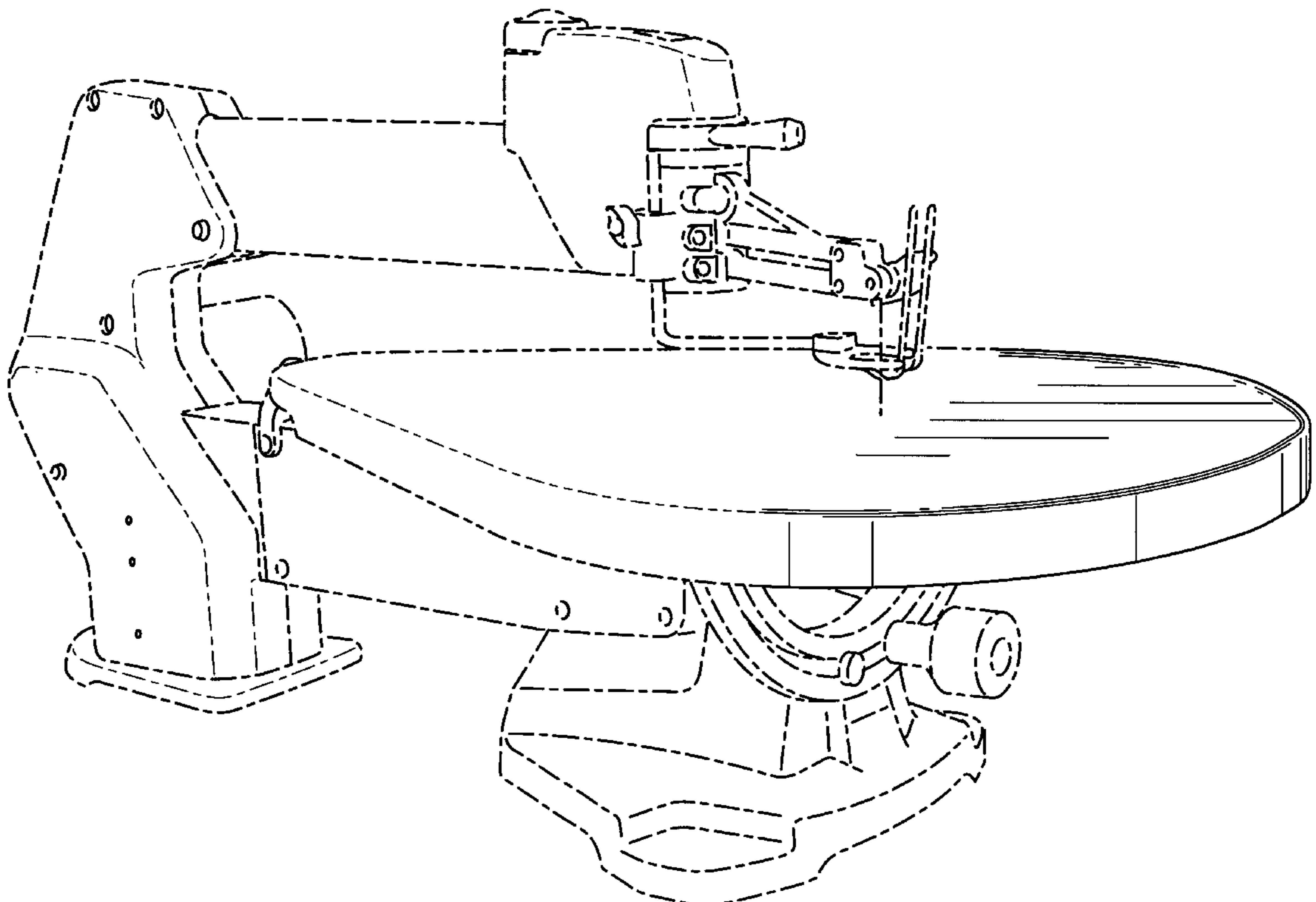
In the attached drawings, any broken line illustration is not part of the design sought to be patented.

(56) **References Cited**

U.S. PATENT DOCUMENTS

D. 350,968 * 9/1994 Chang D15/133

1 Claim, 6 Drawing Sheets



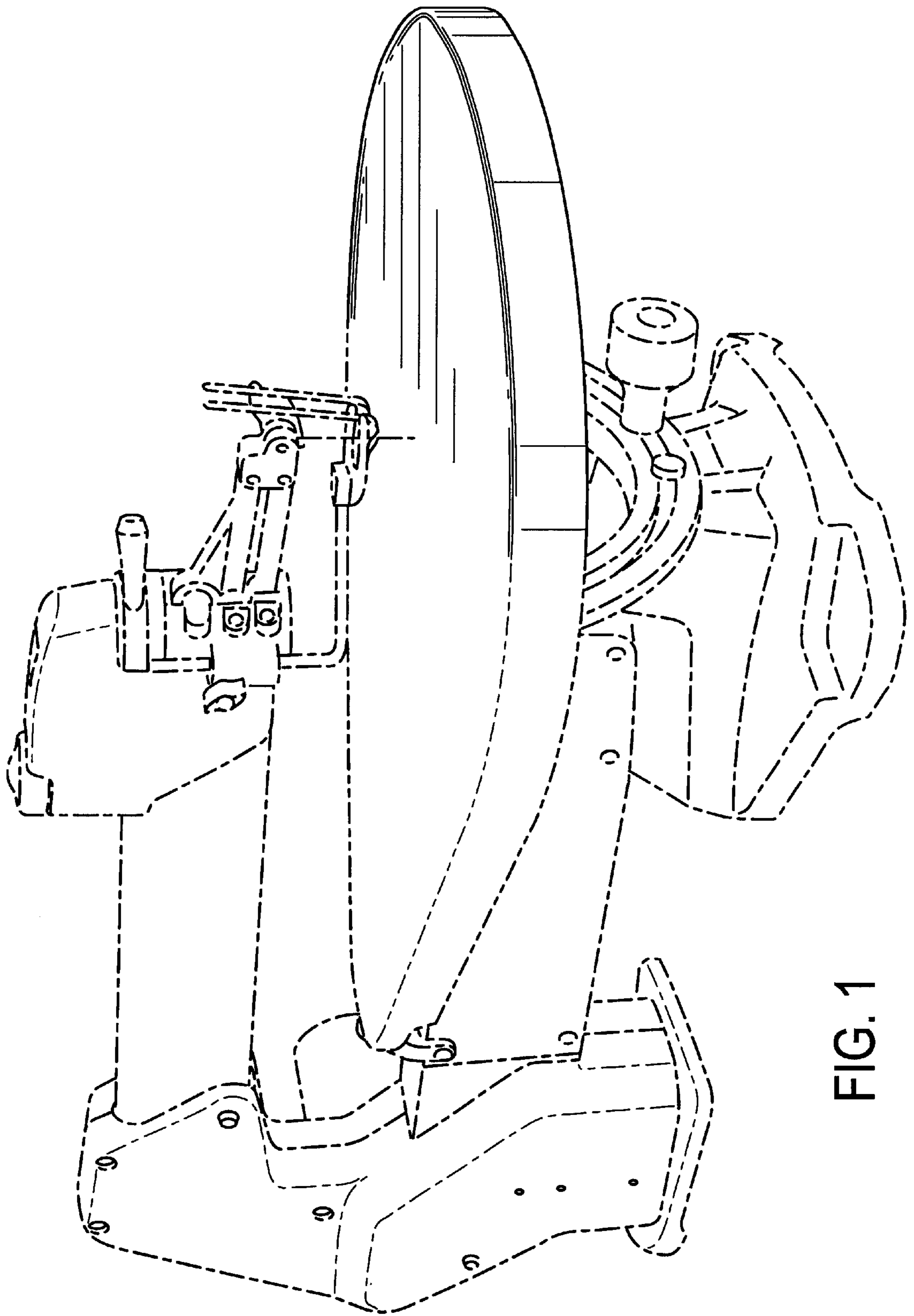


FIG. 1

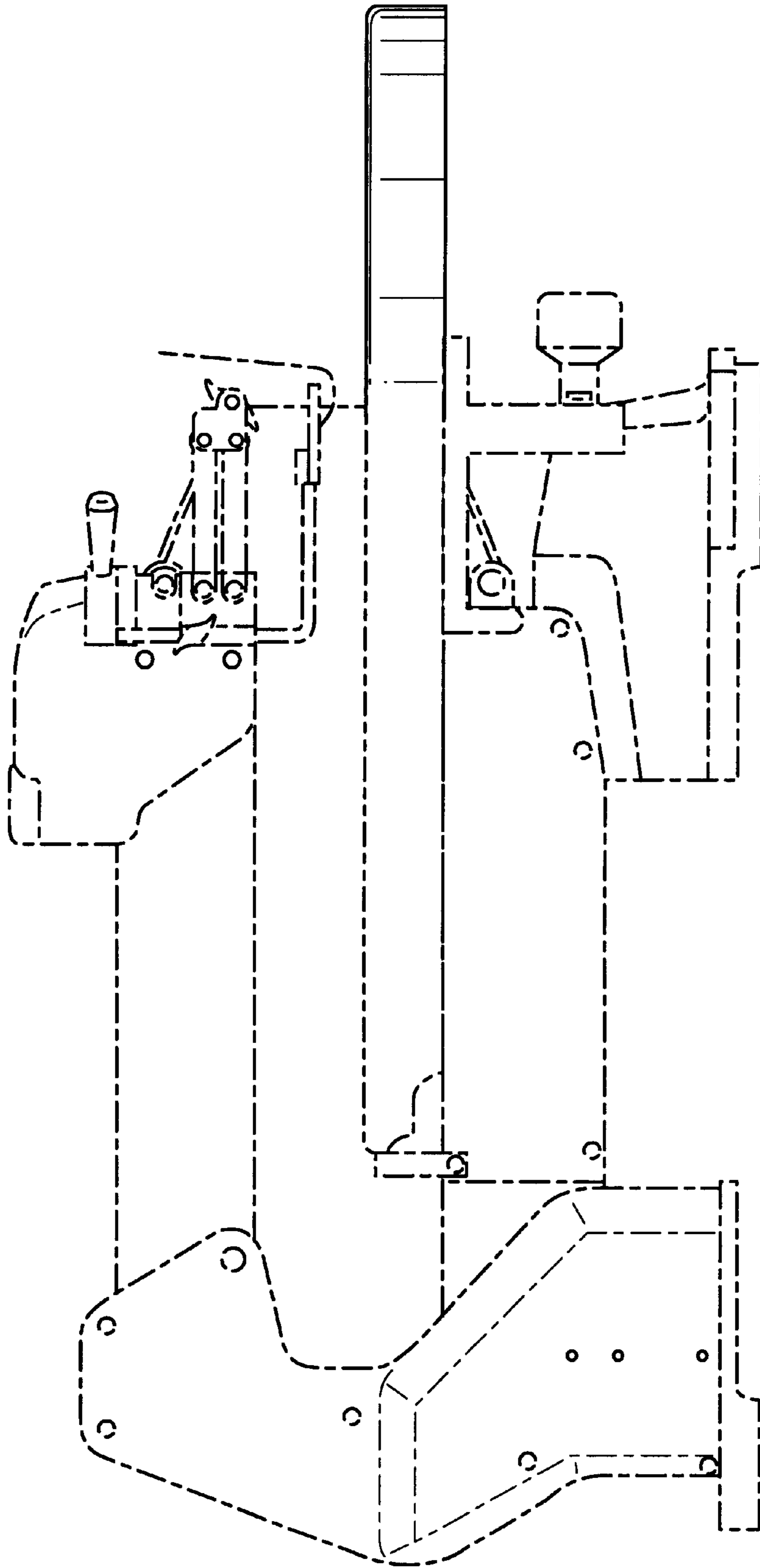


FIG. 2

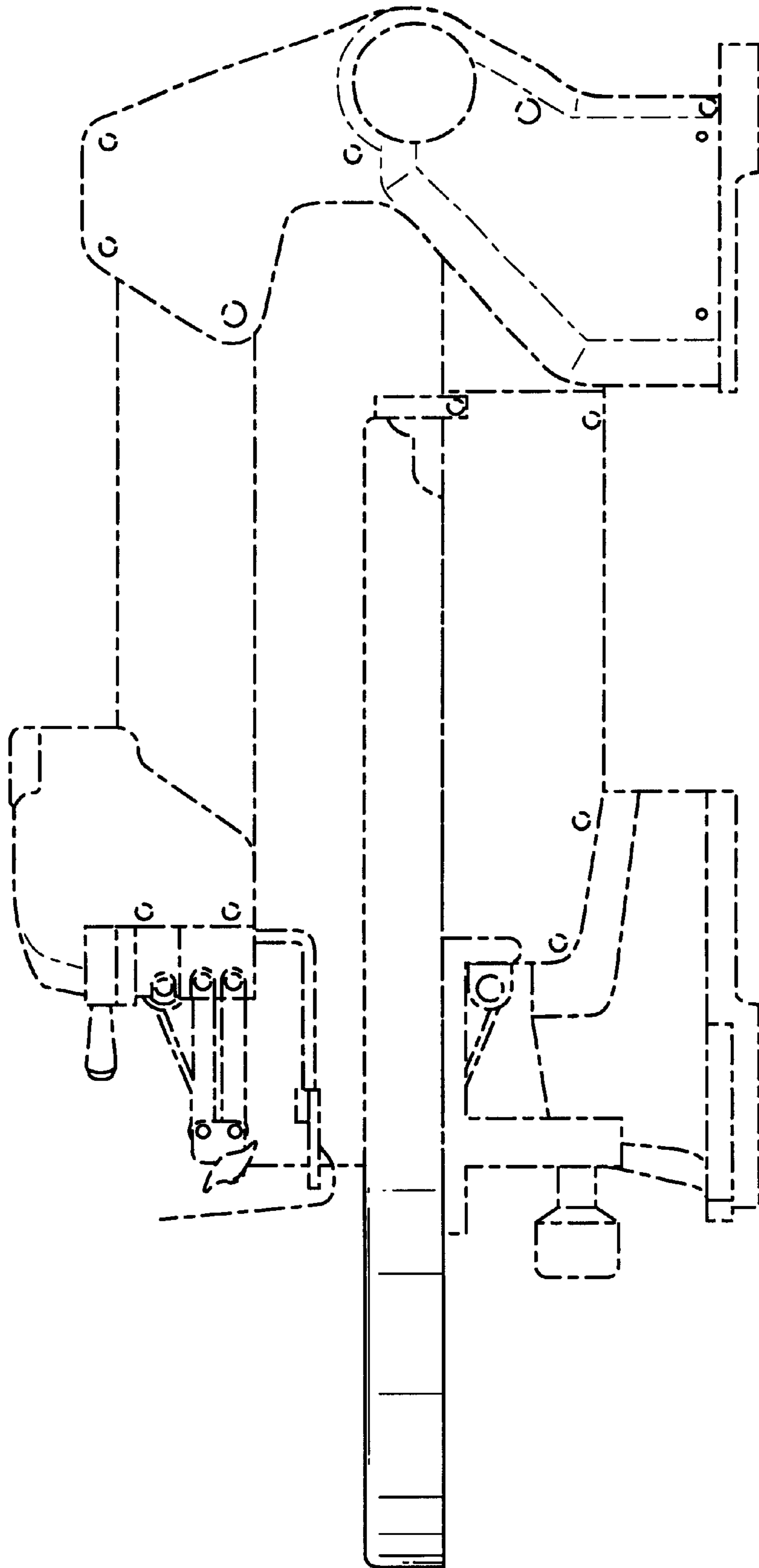


FIG. 3

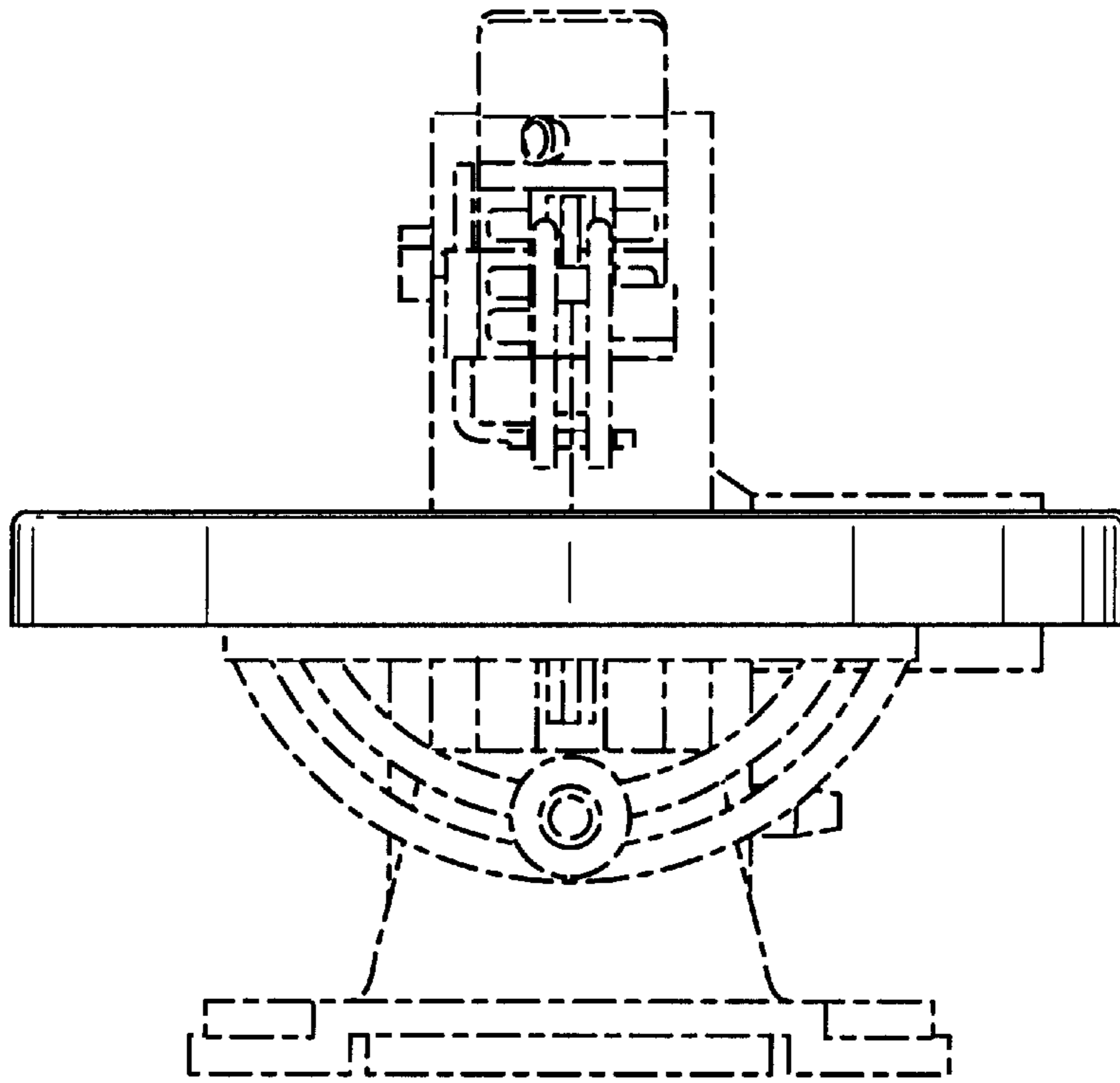


FIG. 4

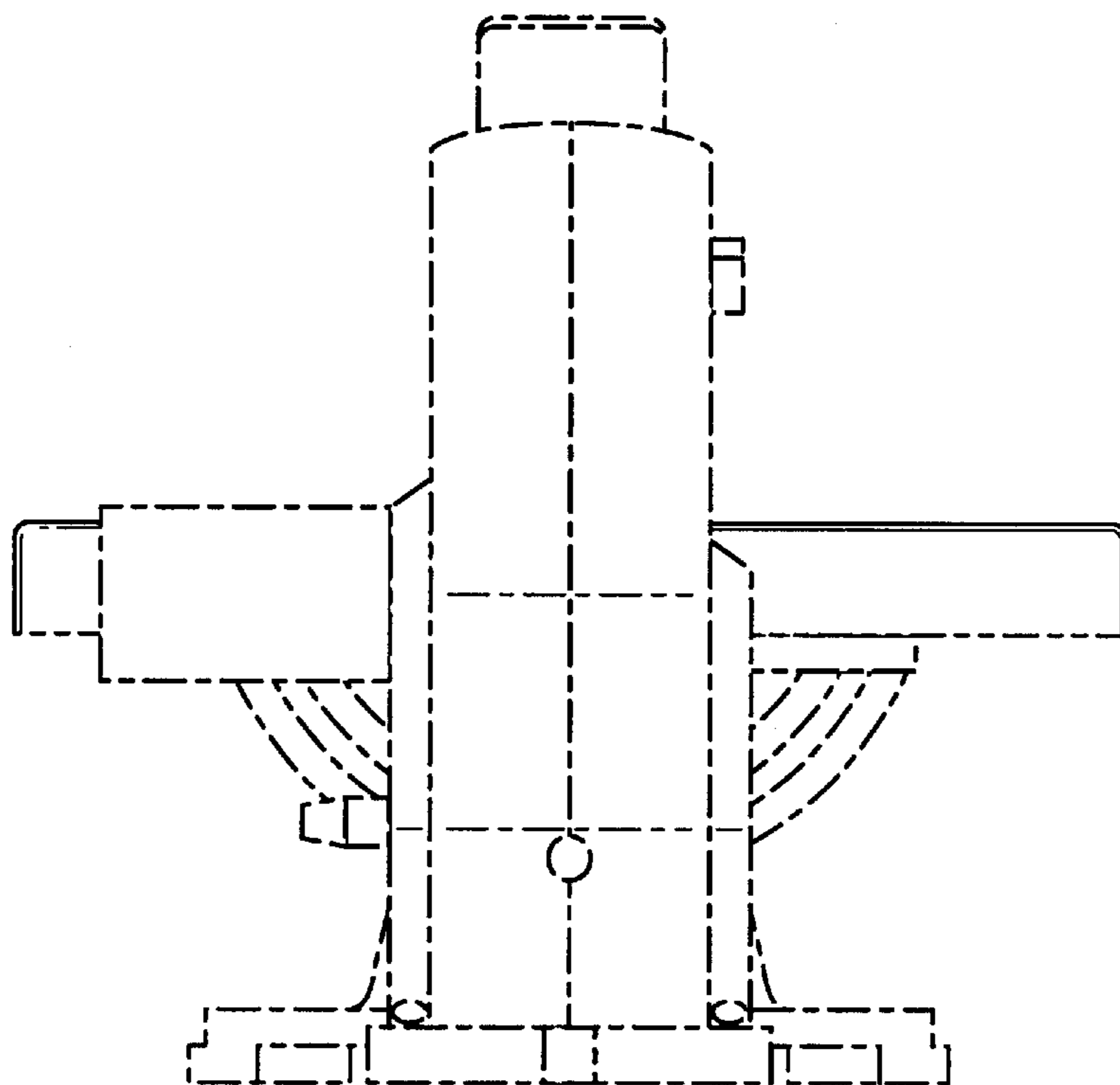


FIG. 5

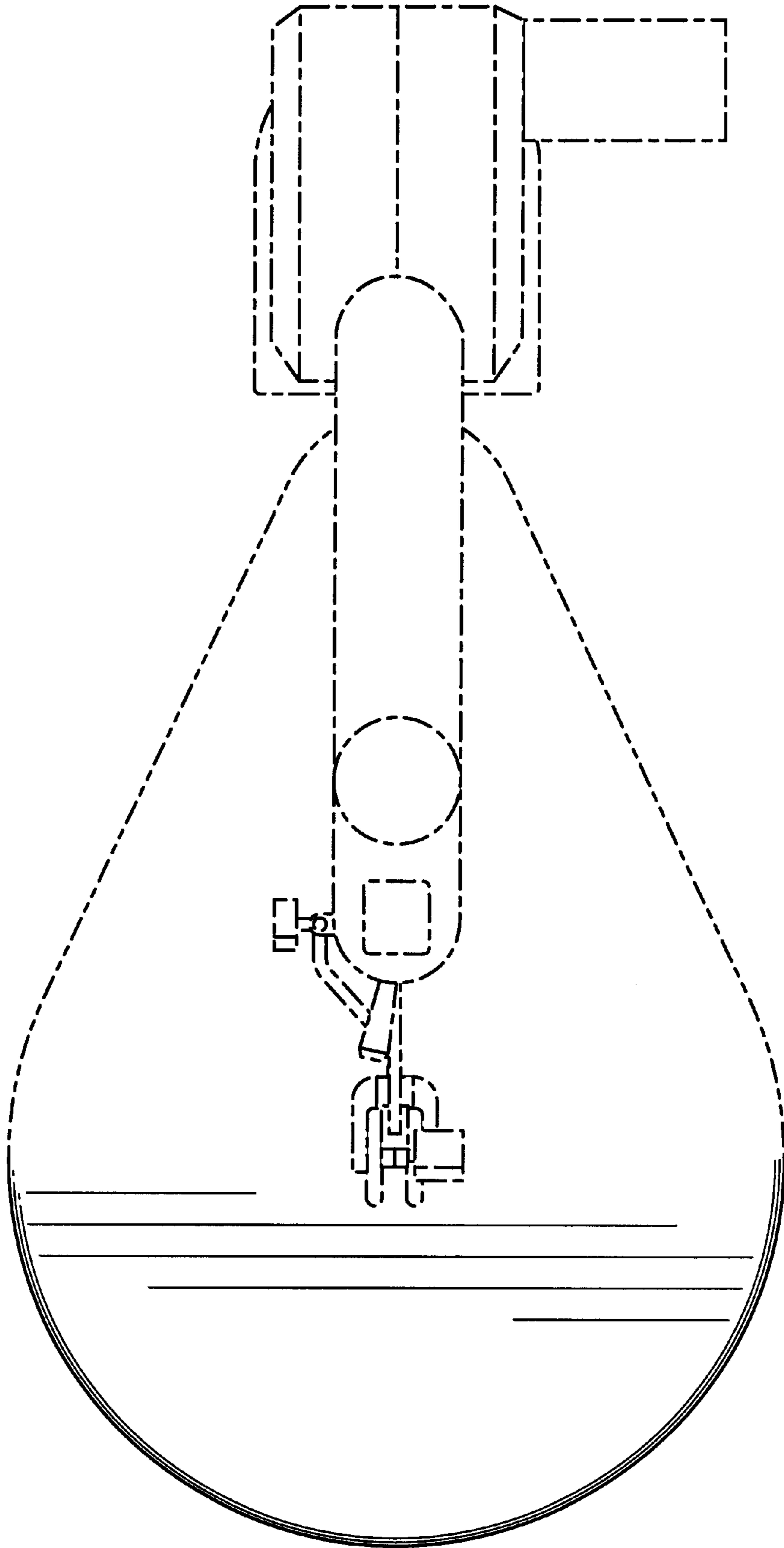


FIG. 6

