



US00D444800S

(12) **United States Design Patent**
Miller

(10) **Patent No.:** **US D444,800 S**

(45) **Date of Patent:** **** Jul. 10, 2001**

(54) **LASER WIRE STRIPPING APPARATUS CASE**

(74) *Attorney, Agent, or Firm*—Weiss & Moy, P.C.; Jeffrey D. Moy; Jeffrey Weiss

(76) **Inventor:** **Richard T. Miller**, 3210 E. Corrine Dr., Phoenix, AZ (US) 85032

(57) **CLAIM**

(**) **Term:** **14 Years**

The ornamental design for a laser wire stripping apparatus case, as shown and described.

(21) **Appl. No.:** **29/129,617**

DESCRIPTION

(22) **Filed:** **Sep. 19, 2000**

FIG. 1 is a front perspective view of the laser wire stripping apparatus case, showing my new design;

(51) **LOC (7) Cl.** **15-09**

FIG. 2 is a rear perspective view of the laser wire stripping apparatus case;

(52) **U.S. Cl.** **D15/122**

FIG. 3 is a top view of the laser wire stripping apparatus case;

(58) **Field of Search** D15/122, 199;
83/158, 157, 101, 102, 105, 160; 219/121.67,
121.82, 121.72, 121.58, 121.68, 121.69,
121.79

FIG. 4 is a front elevational view of the laser wire stripping apparatus case;

FIG. 5 is a left side elevational view of the laser wire stripping apparatus case;

(56) **References Cited**

U.S. PATENT DOCUMENTS

6,127,648 * 10/2000 Scott 219/121.67
6,172,820 * 1/2001 Kuwahara 219/121.72 X

FIG. 6 is a rear elevational view of the laser wire stripping apparatus case;

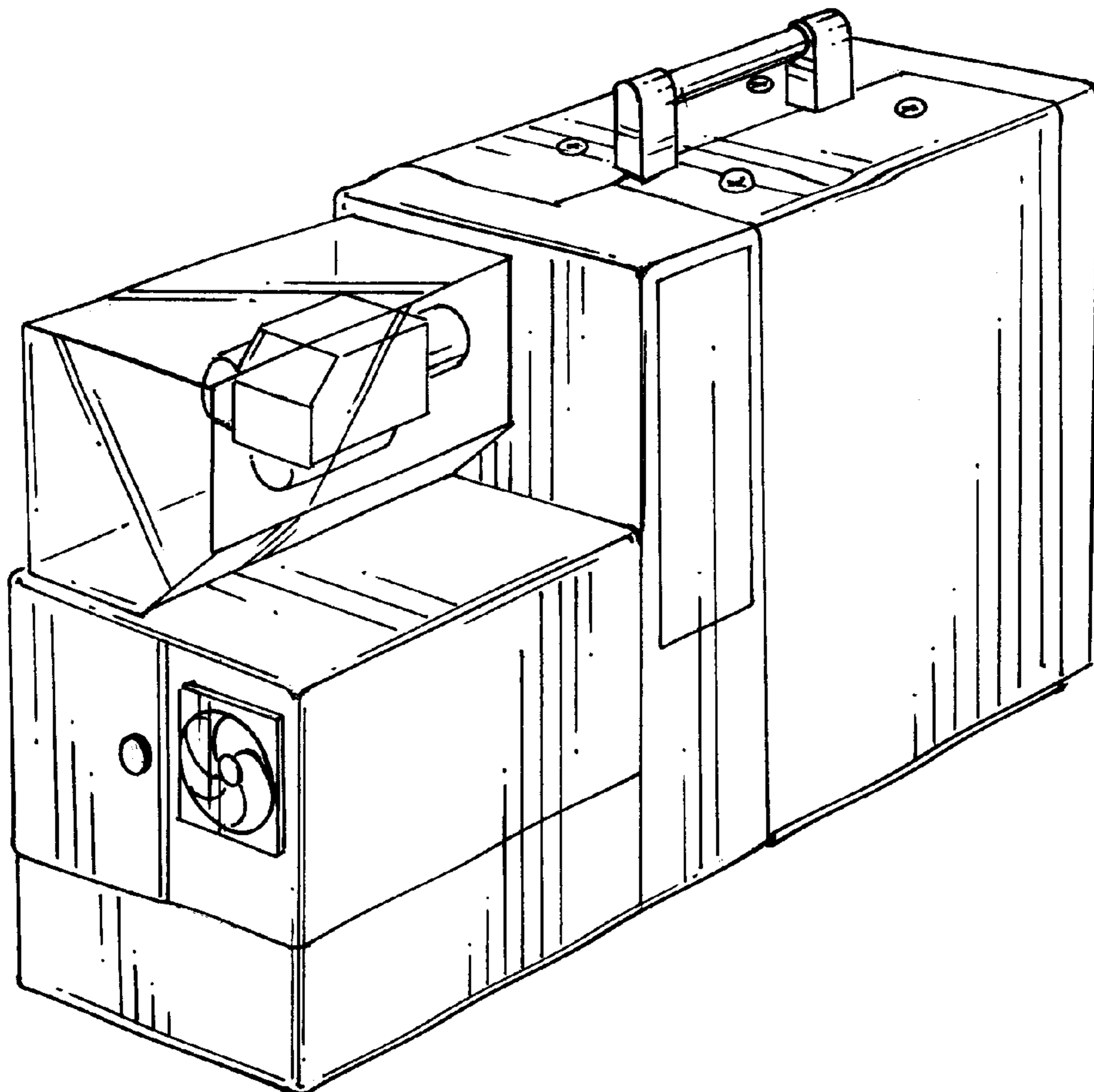
FIG. 7 is a right side elevational view of the laser wire stripping apparatus case; and,

FIG. 8 is a bottom view of the laser wire stripping apparatus case.

* cited by examiner

Primary Examiner—Antoine Duval Davis

1 Claim, 2 Drawing Sheets



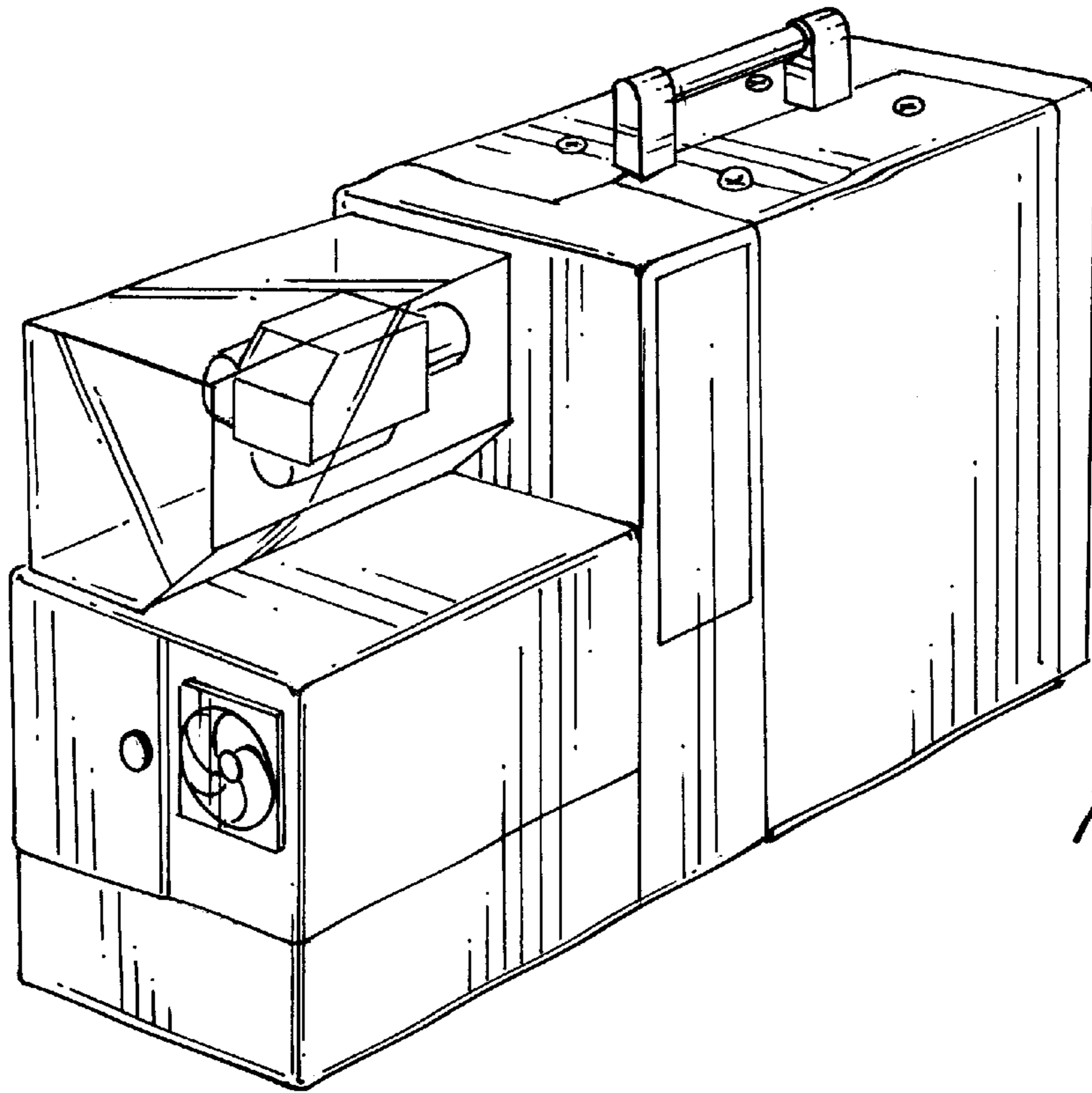


FIG. 1

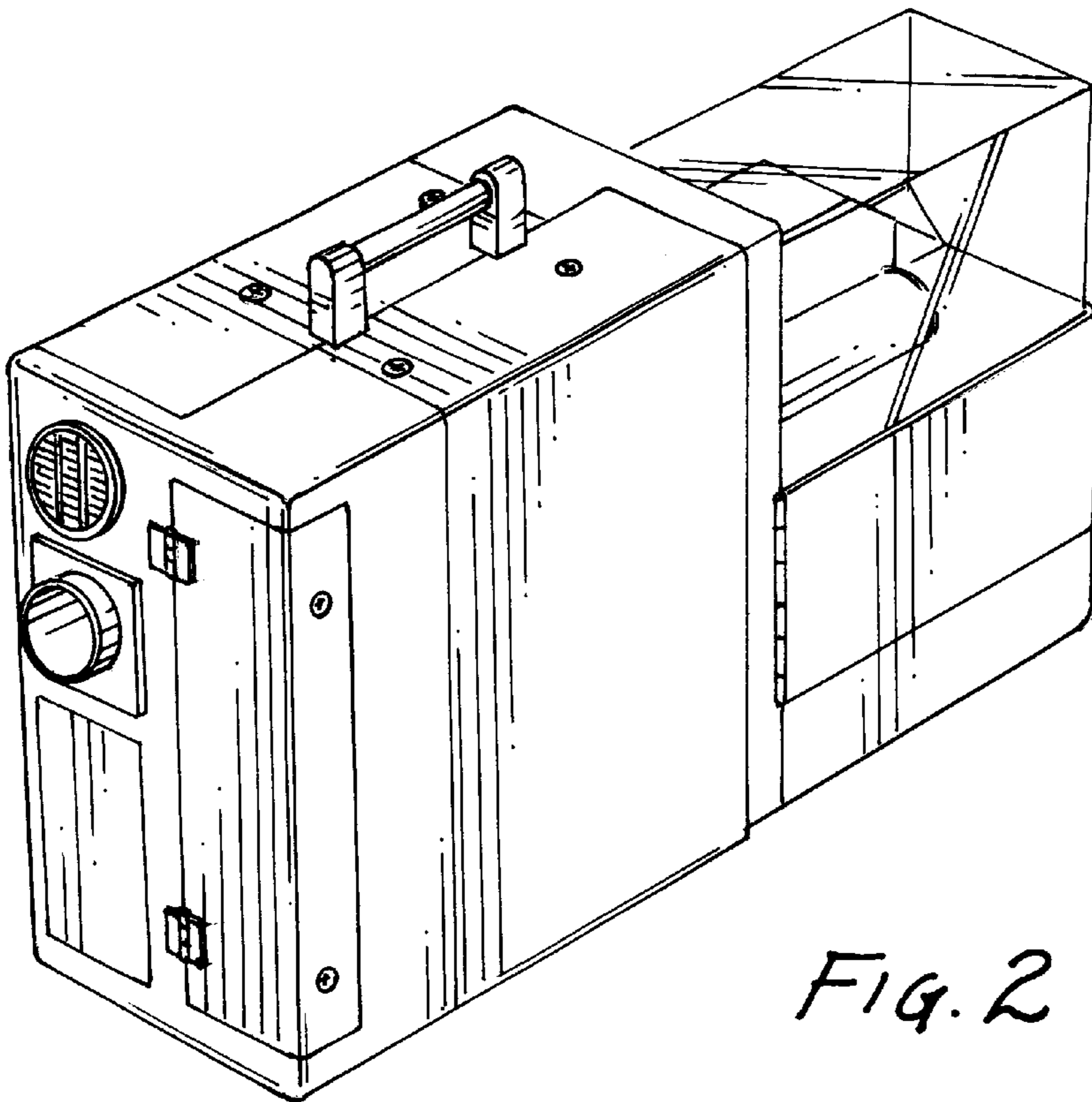


FIG. 2

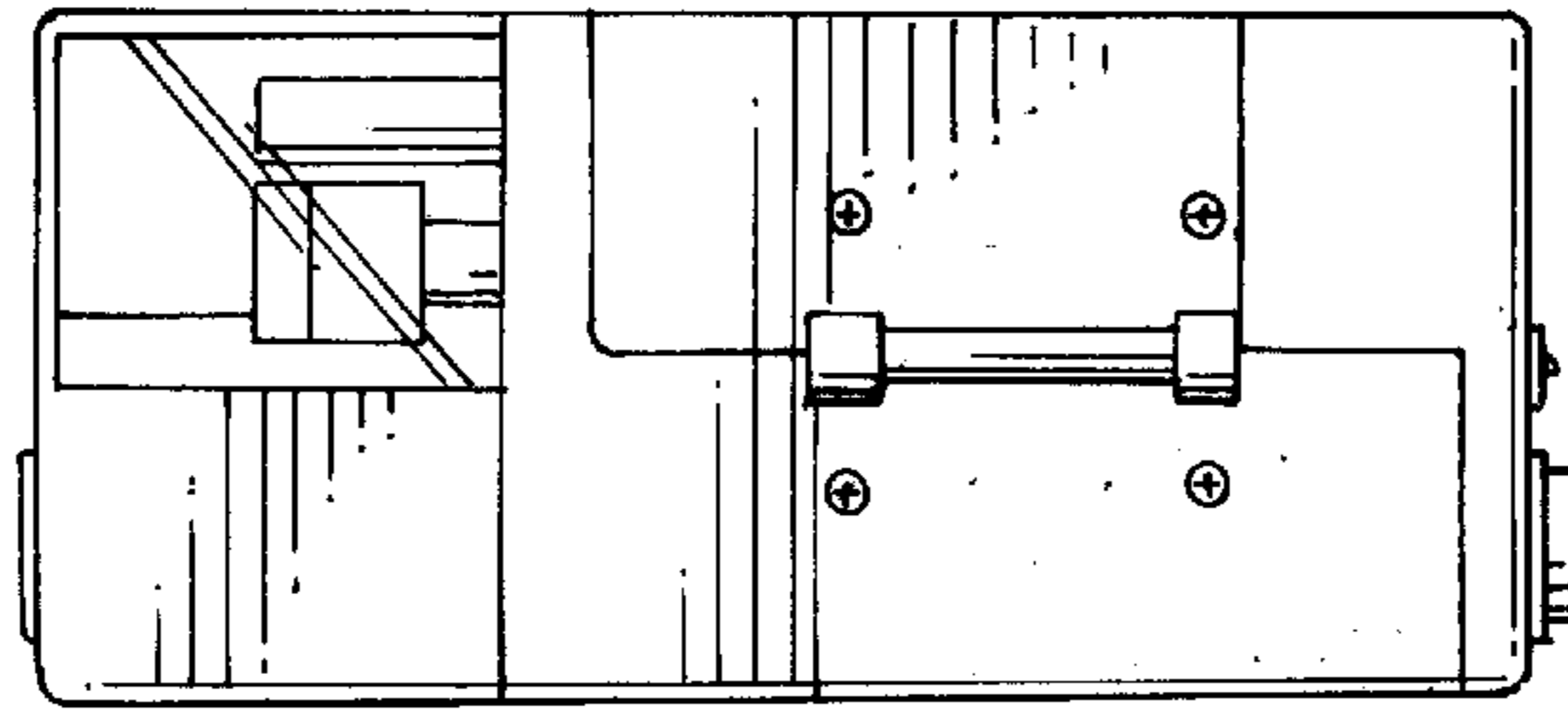


FIG. 3

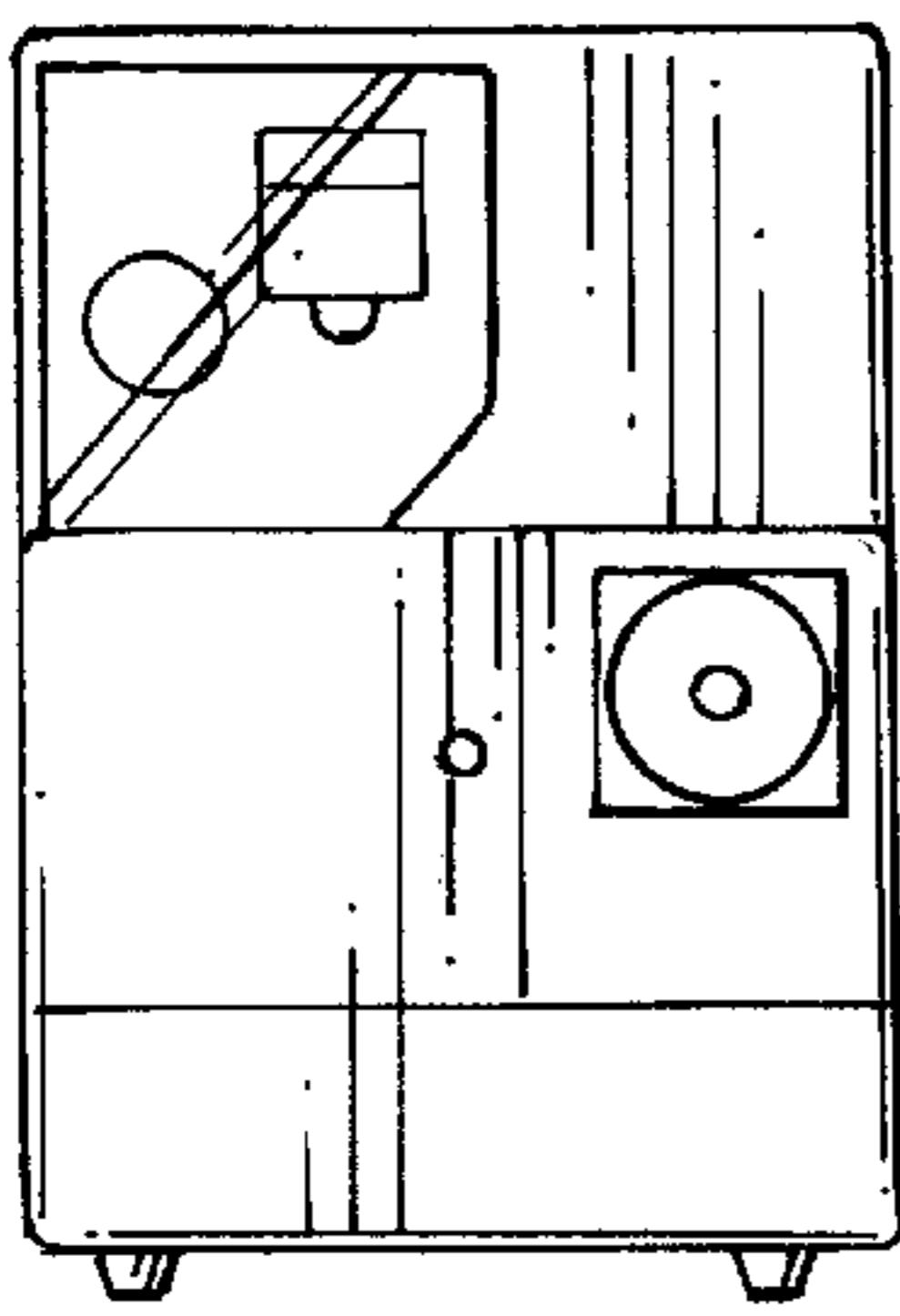


FIG. 4

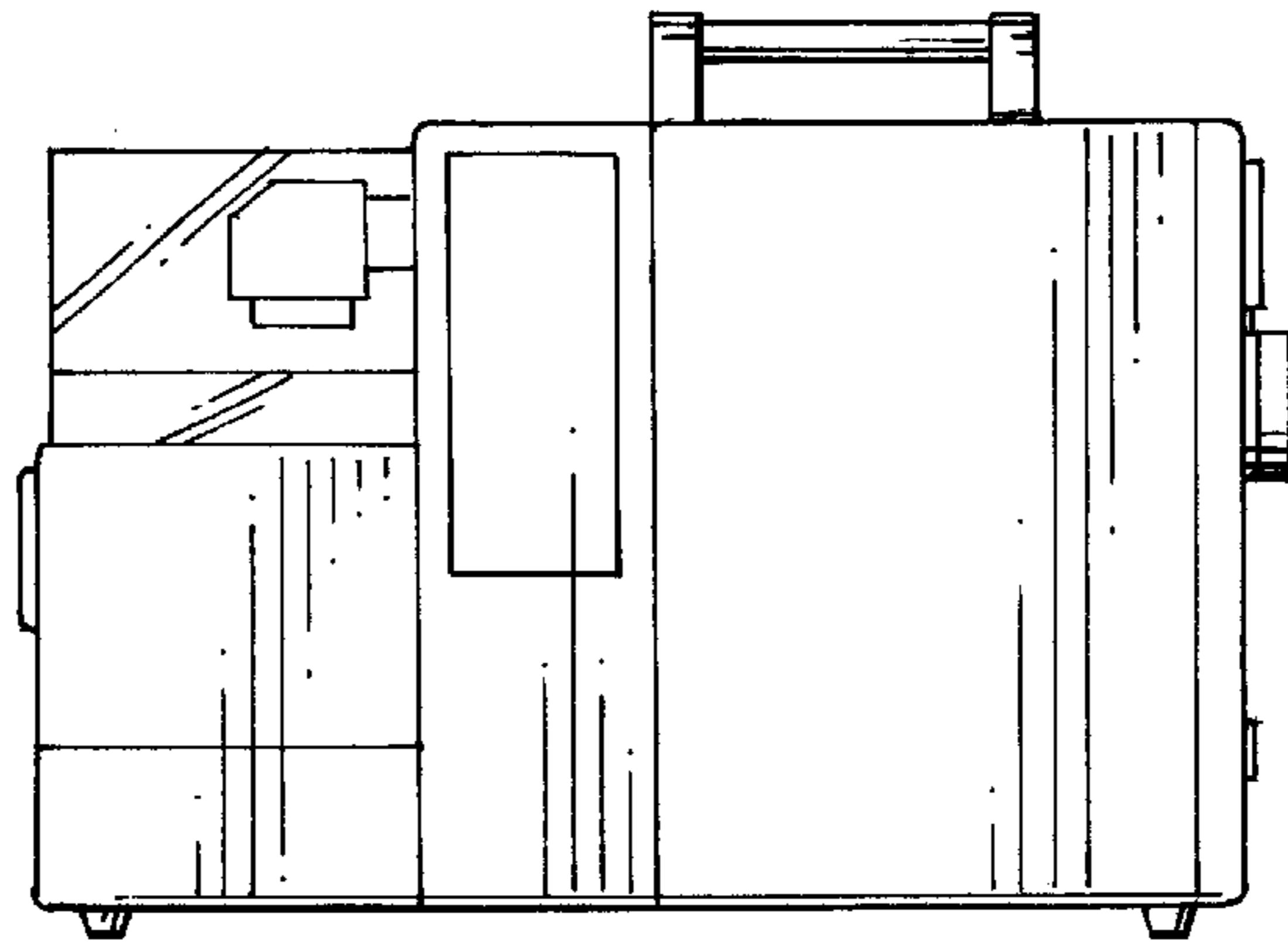


FIG. 5

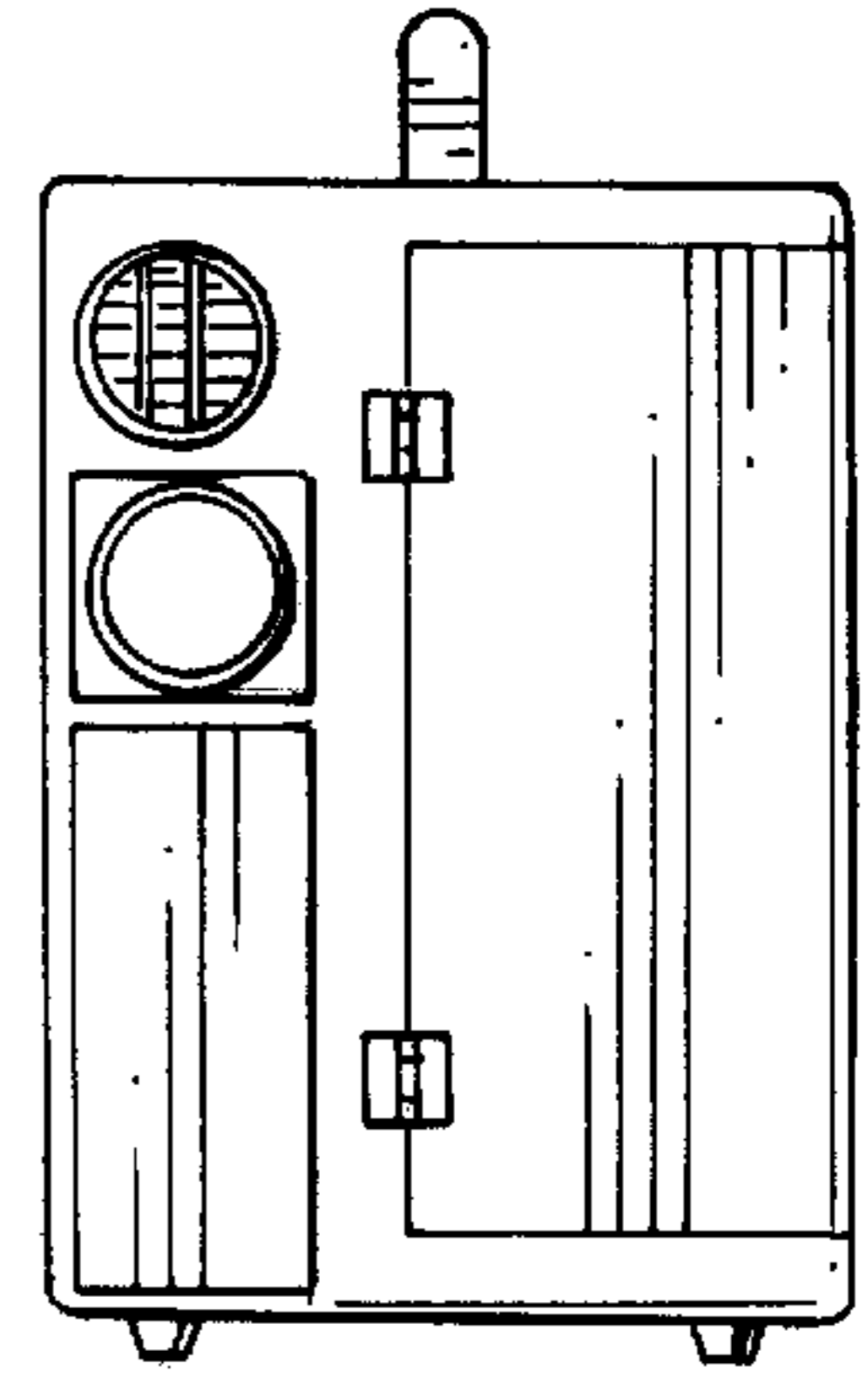


FIG. 6

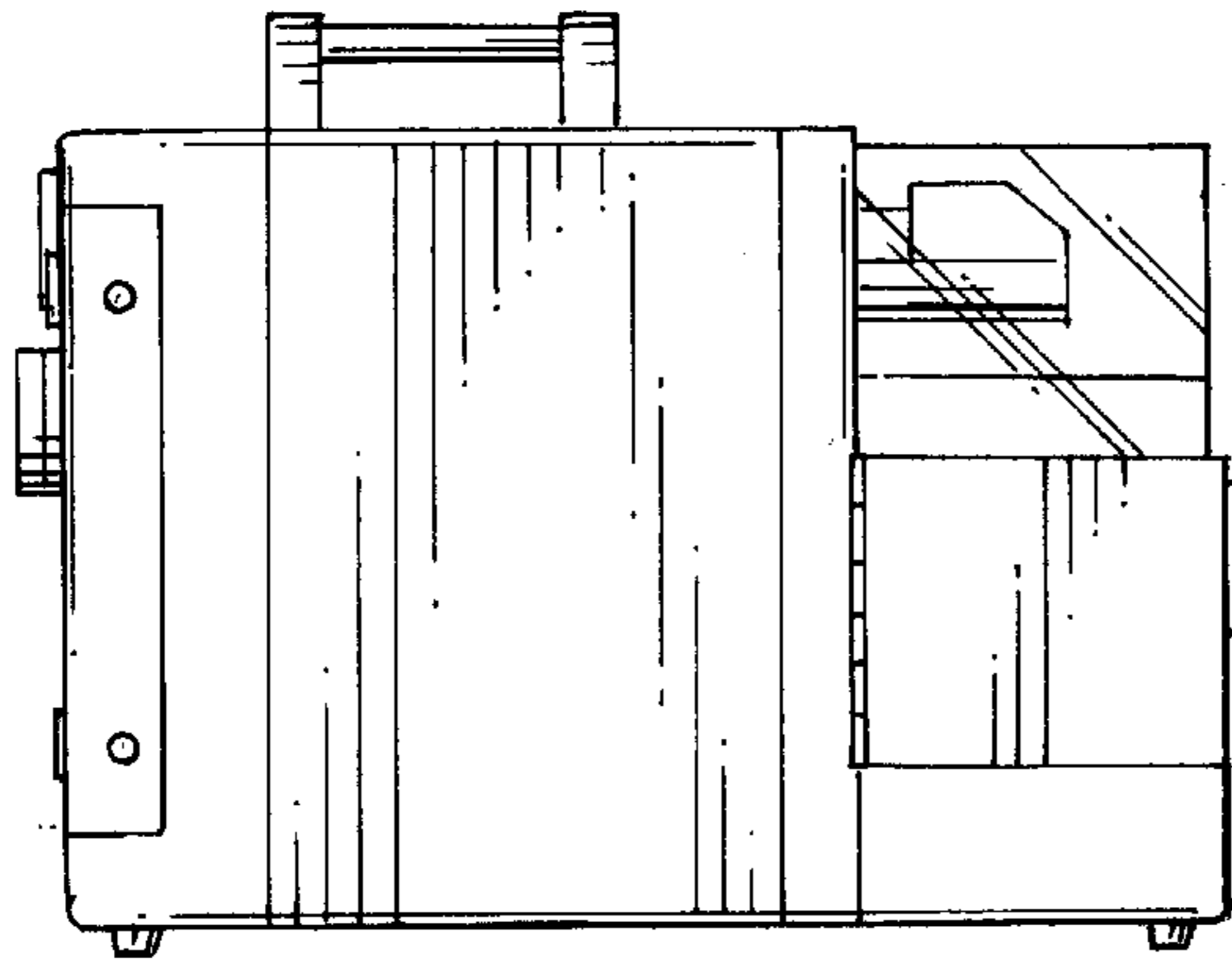


FIG. 7

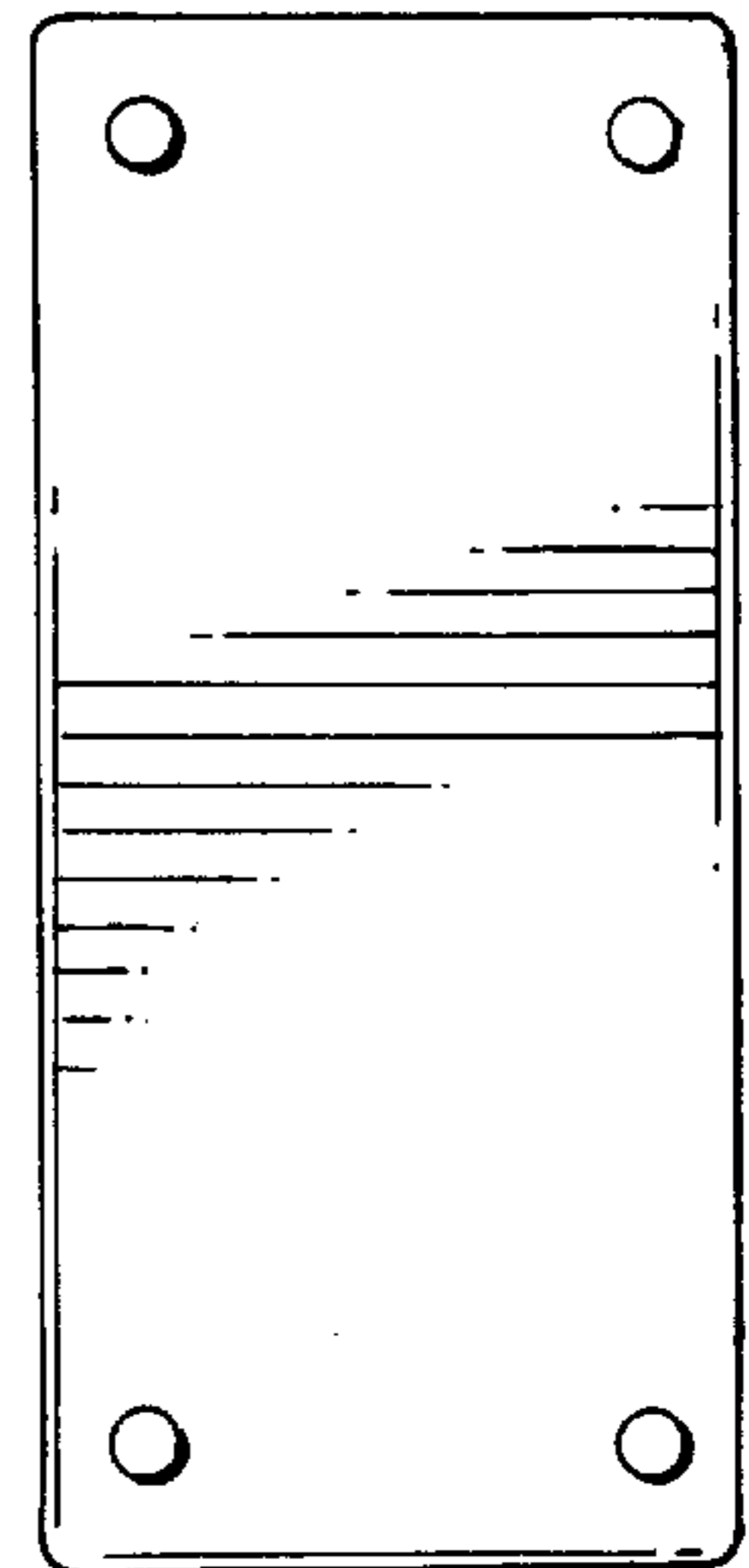


FIG. 8