



US00D444799S

(12) **United States Design Patent**
Thomas, Jr. et al.

(10) **Patent No.:** **US D444,799 S**

(45) **Date of Patent:** **** Jul. 10, 2001**

(54) **COMPRESSOR**

(75) Inventors: **Delbert Leroy Thomas, Jr.**, Watervliet;
Lorraine Joan Westlake, Eau Claire,
both of MI (US)

(73) Assignee: **Gast Manufacturing, Inc.**, Benton
Harbor, MI (US)

(**) Term: **14 Years**

(21) Appl. No.: **29/121,087**

(22) Filed: **Apr. 3, 2000**

(51) **LOC (7) Cl.** **15-02**

(52) **U.S. Cl.** **D15/9**

(58) **Field of Search** D15/7-9; 417/234,
417/360, 362, 410.3, 410.4, 410.5, 411,
415; D26/38; D24/8

(56) **References Cited**

U.S. PATENT DOCUMENTS

D. 273,789	*	5/1984	Davis	D15/9
D. 293,682	*	1/1988	Liou	D15/9
D. 373,774	*	9/1996	Chen	D15/9
D. 376,370	*	12/1996	Davis et al.	D15/7
D. 394,068	*	5/1998	Pollrich et al.	D15/9

OTHER PUBLICATIONS

Gast Manufacturing, Inc., catalog sheets (four) 1999.
Thomas Industries, Inc., catalog sheets (nine) 1997-1999.

* cited by examiner

Primary Examiner—Ralf Seifert

(74) *Attorney, Agent, or Firm*—Barnes & Thornburg

(57) **CLAIM**

The ornamental design for a compressor, as shown and described.

DESCRIPTION

FIG. 1 is a perspective view of the compressor of our invention.

FIG. 2 is an end elevational view of the compressor of FIG. 1 taken from the left end of FIG. 1.

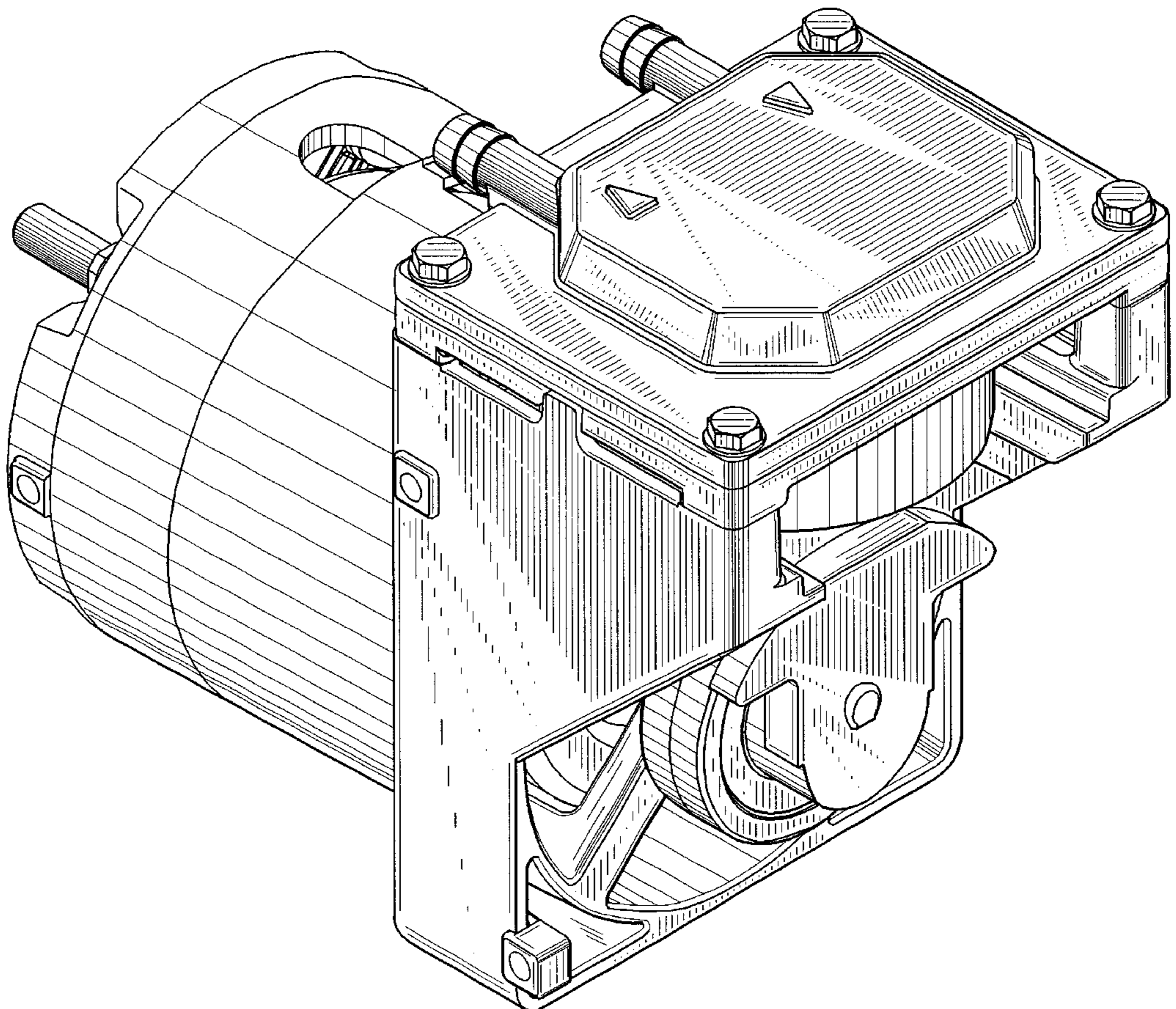
FIG. 3 is a side elevational view taken from the rear side of FIG. 1. The opposite side view being a mirror image.

FIG. 4 is a top plan view of the compressor of FIG. 1.

FIG. 5 is a bottom plan view of the compressor of FIG. 1; and,

FIG. 6 is an end elevational view of the compressor of FIG. 1 taken from the right end of FIG. 1.

1 Claim, 6 Drawing Sheets



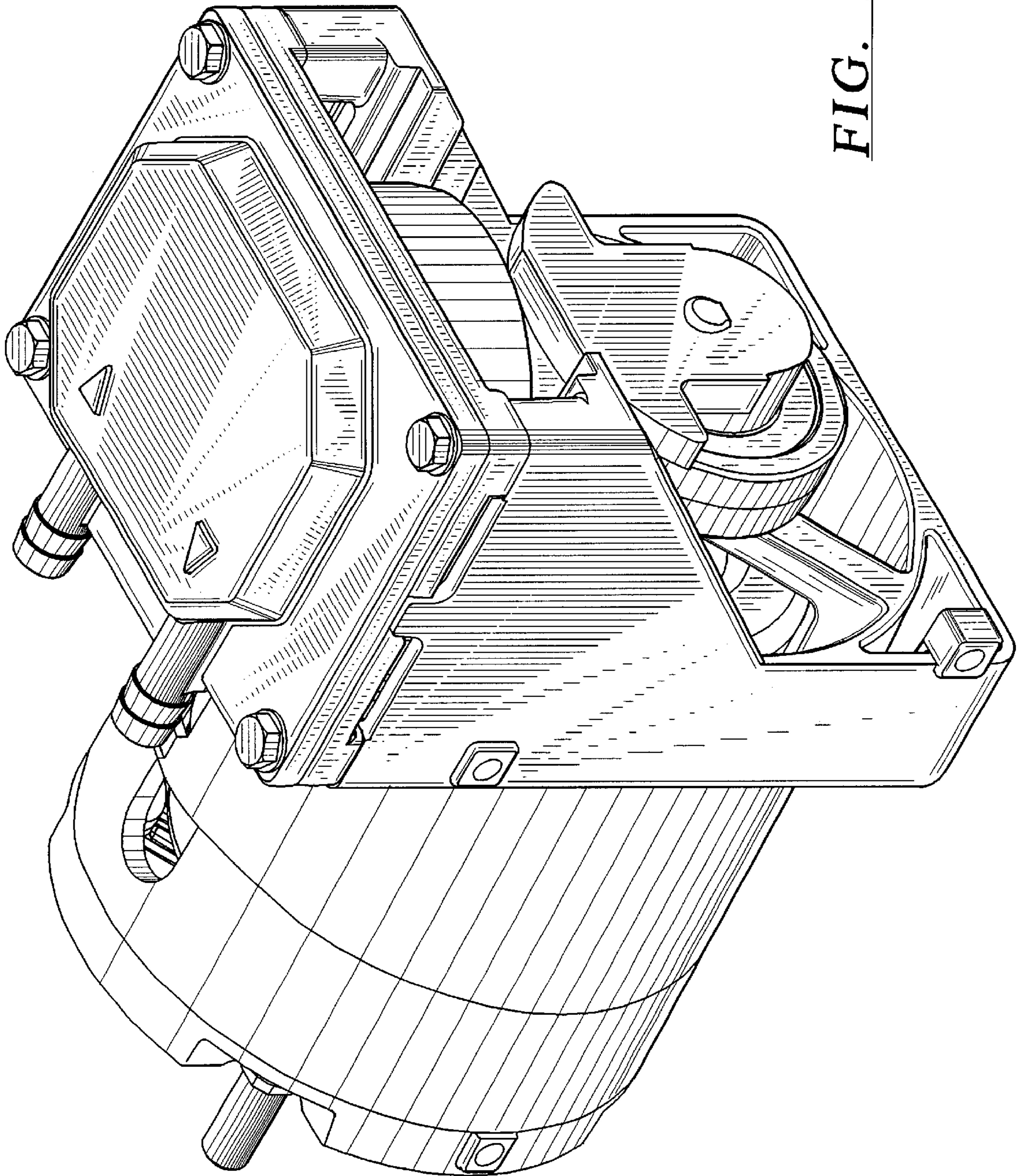


FIG. 1

FIG. 2

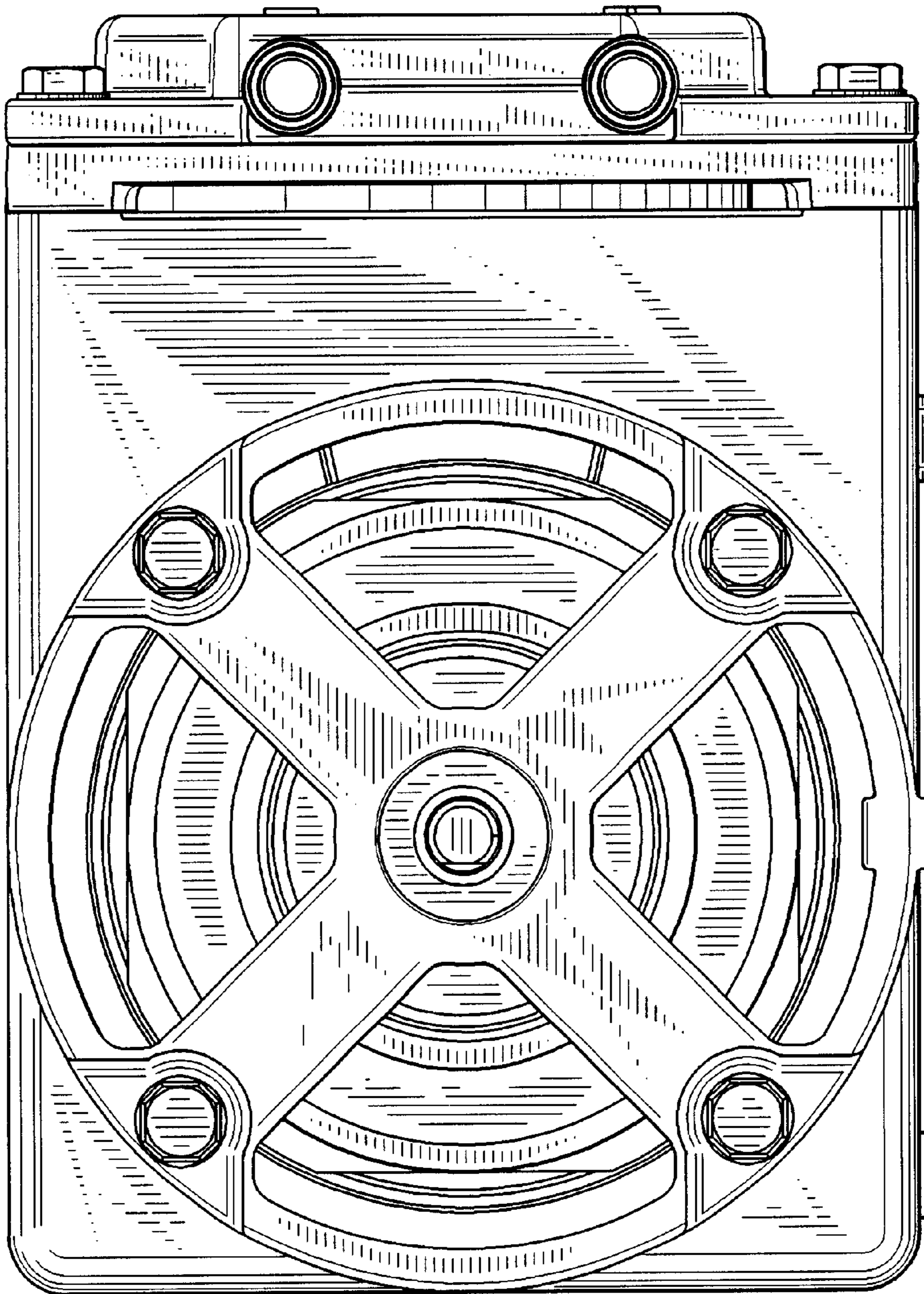


FIG. 3

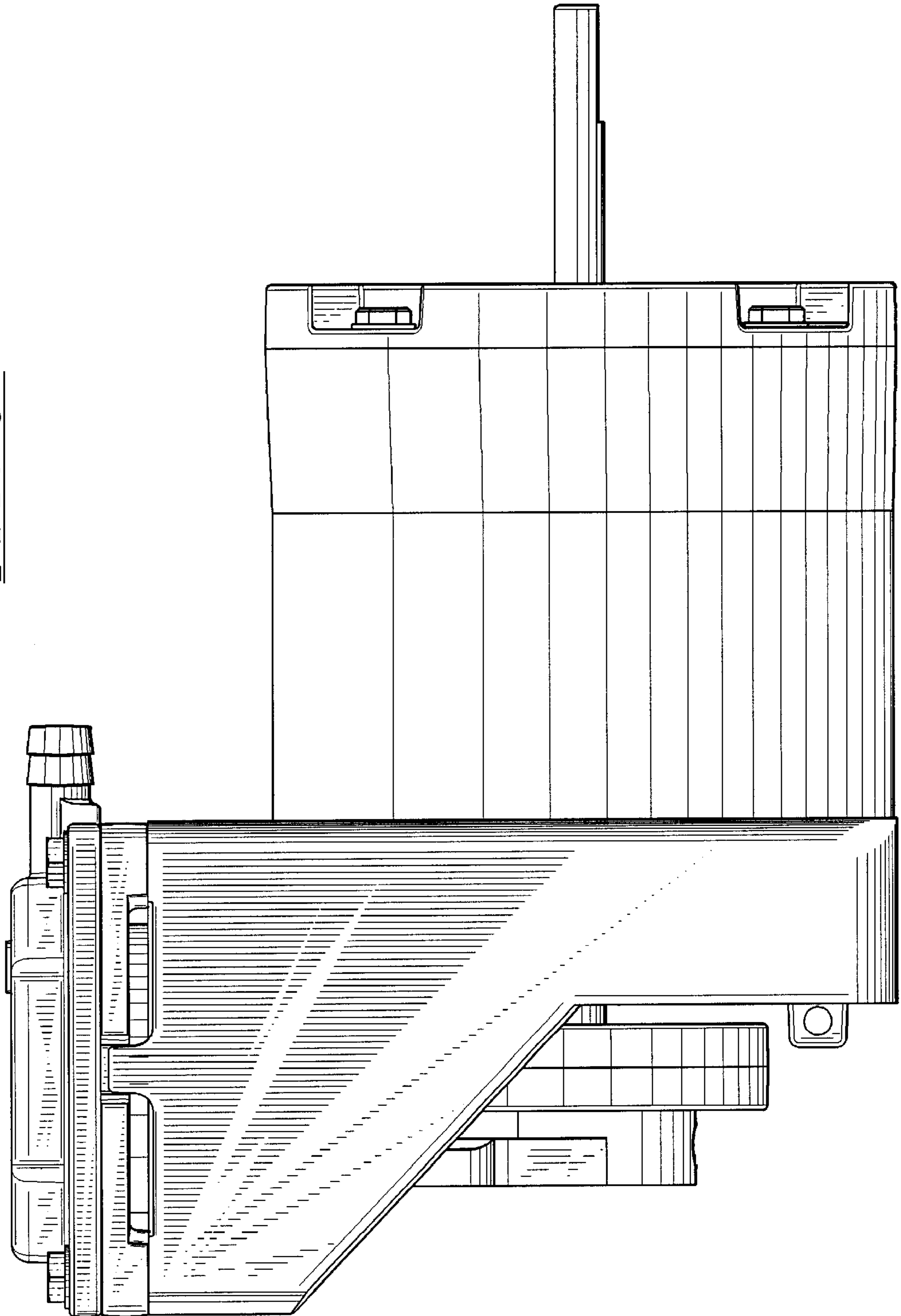


FIG. 4

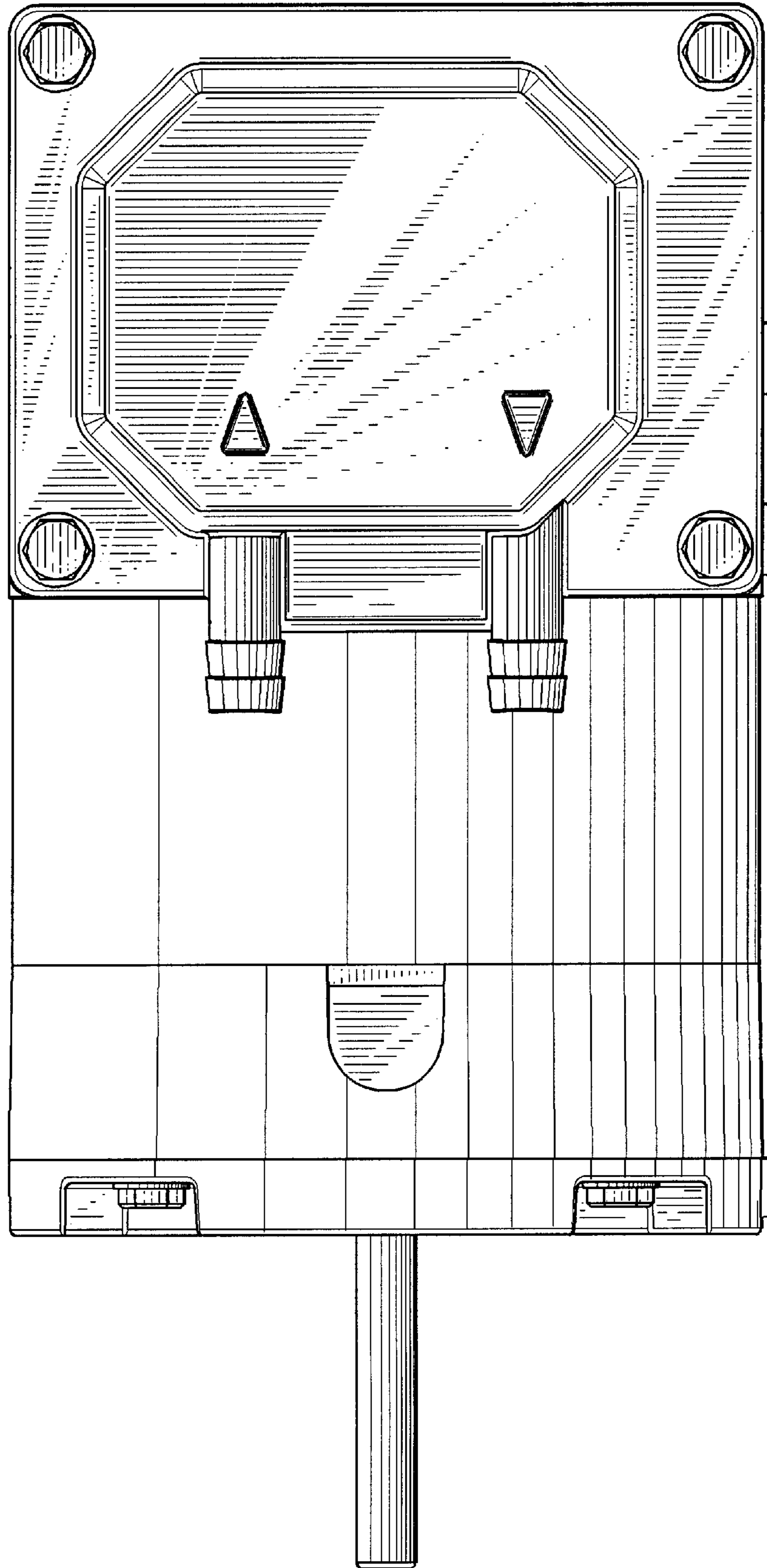


FIG. 5

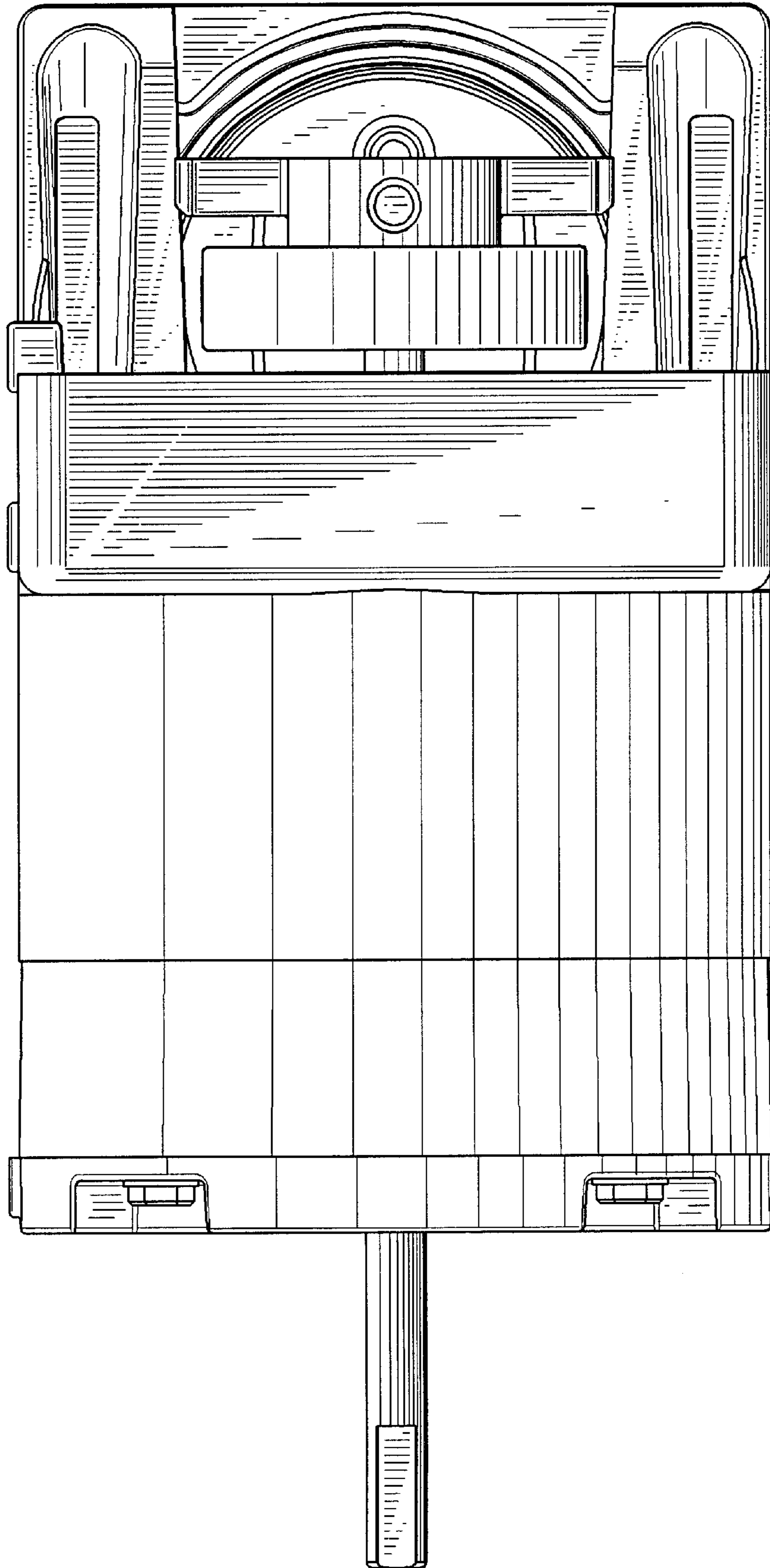


FIG. 6

