



US00D444798S

(12) **United States Design Patent**  
**Morgan**

(10) **Patent No.:** **US D444,798 S**

(45) **Date of Patent:** **\*\* Jul. 10, 2001**

- (54) **SINGLE HOTDOG**
- (75) Inventor: **Fred M. Morgan**, Jackson, TN (US)
- (73) Assignee: **DeVilbiss Air Power Company**,  
Jackson, TN (US)
- (\*\*) Term: **14 Years**
- (21) Appl. No.: **29/119,838**
- (22) Filed: **Mar. 8, 2000**
- (51) **LOC (7) Cl.** ..... **15-02**
- (52) **U.S. Cl.** ..... **D15/9**
- (58) **Field of Search** ..... D15/7-9; 417/234,  
417/360, 44.9, 362; 248/675; 92/58.1; 222/3;  
137/899.4, 569

- D. 352,292 \* 11/1994 Morgan ..... D15/9
- D. 352,293 \* 11/1994 Morgan ..... D15/9
- D. 352,294 \* 11/1994 Morgan ..... D15/9
- 1,730,319 \* 10/1929 Dilks, Jr. .... 417/44.9
- 1,846,655 \* 2/1932 Rayfield ..... 417/243
- 2,136,098 \* 11/1938 Browne ..... 137/565

\* cited by examiner

*Primary Examiner*—Ralf Seifert

(74) *Attorney, Agent, or Firm*—Suiter & Associates PC

(57) **CLAIM**

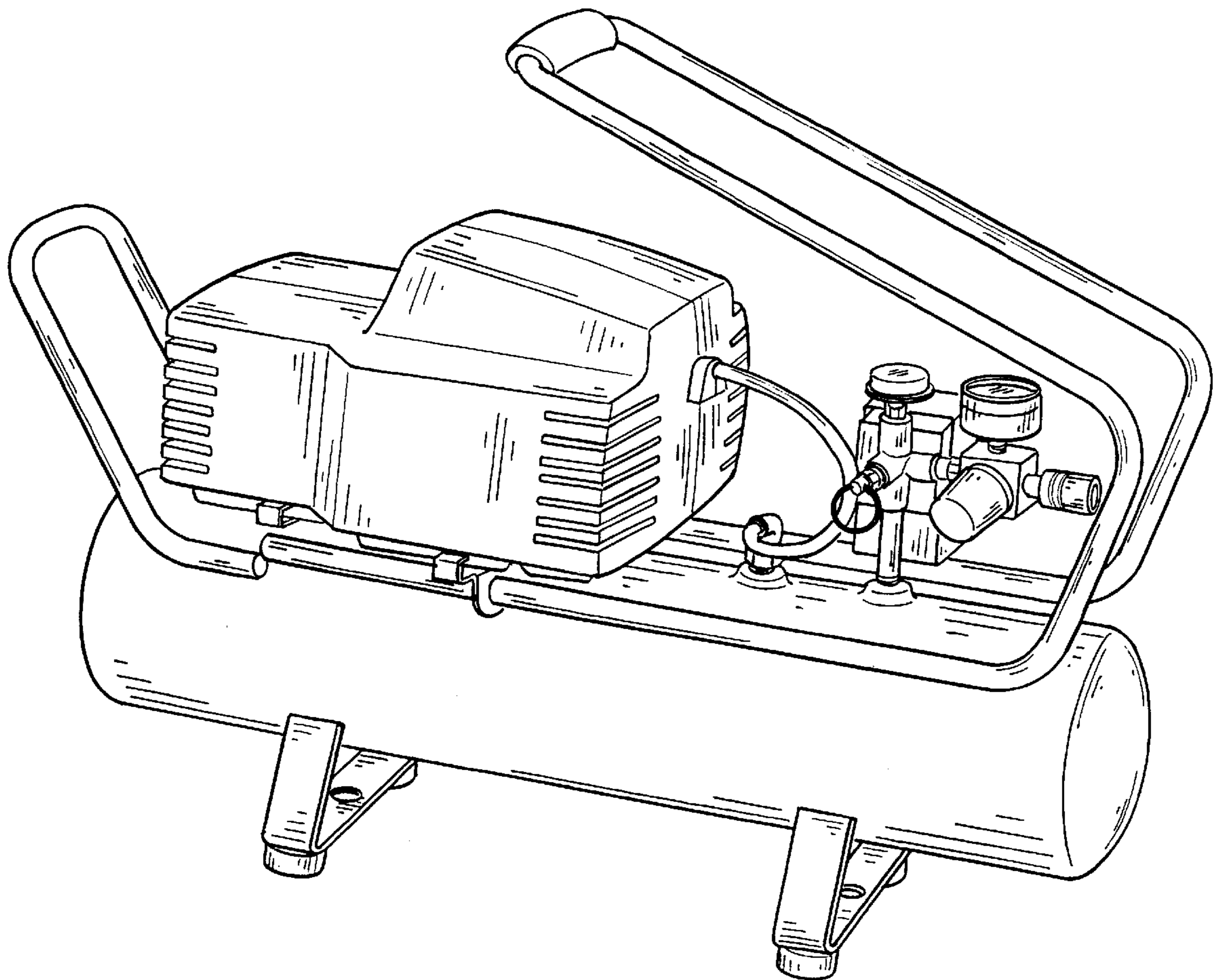
We claim the ornamental design for a single hotdog, as shown.

**DESCRIPTION**

FIG. 1 is an isometric view of the single hotdog design.  
 FIG. 2 is a top plan view thereof;  
 FIG. 3 is a left side elevation view thereof;  
 FIG. 4 is a front elevation view thereof;  
 FIG. 5 is a right side elevation view thereof;  
 FIG. 6 is a rear elevation view thereof; and,  
 FIG. 7 is a bottom plan view thereof.

**1 Claim, 3 Drawing Sheets**

- (56) **References Cited**
- U.S. PATENT DOCUMENTS**
- D. 223,039 \* 2/1972 Widmer ..... D15/7
- D. 293,446 \* 12/1987 Morgan ..... D15/9
- D. 293,584 \* 1/1988 Morgan ..... D15/9
- D. 293,585 \* 1/1988 Morgan ..... D15/9



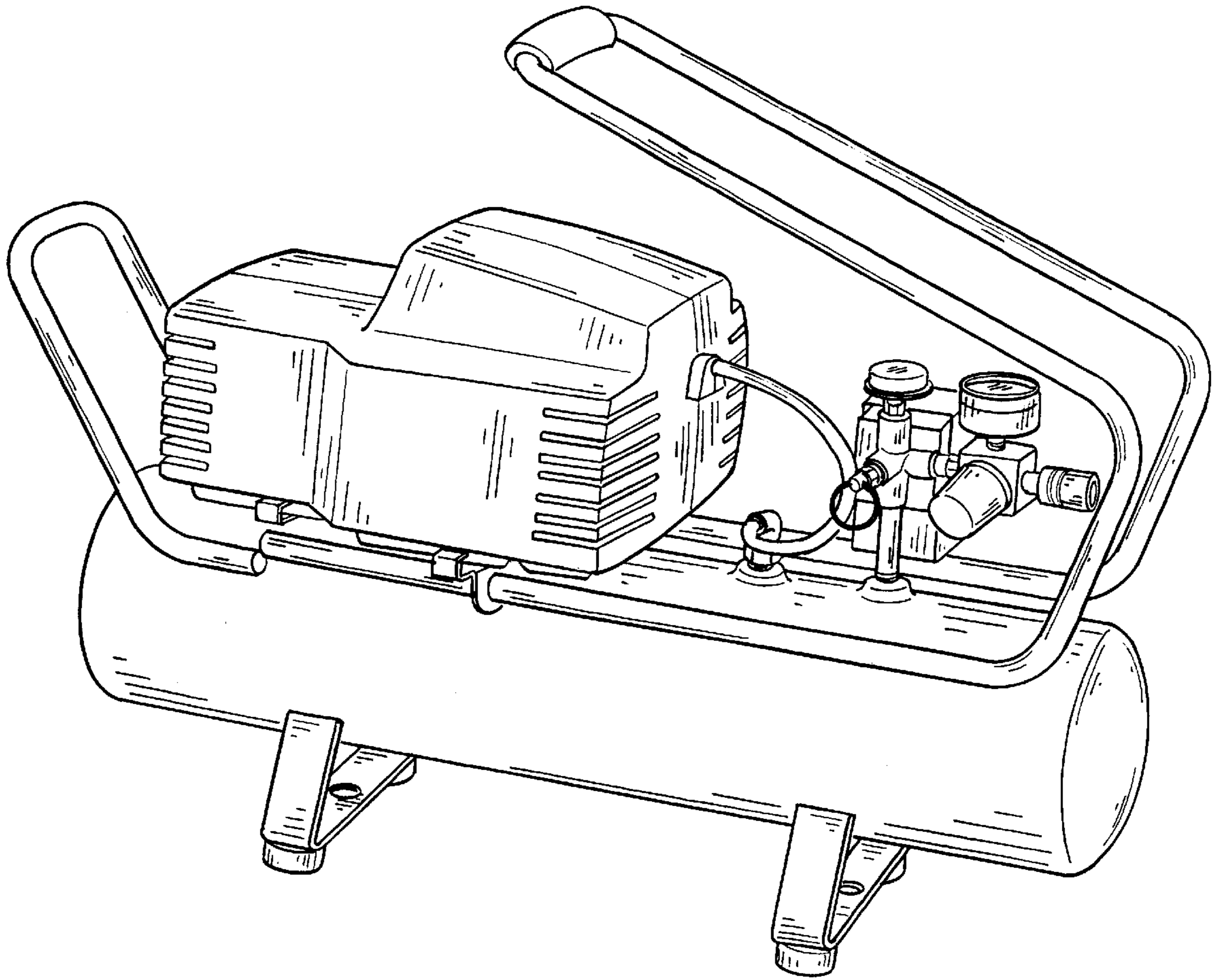


FIG. 1

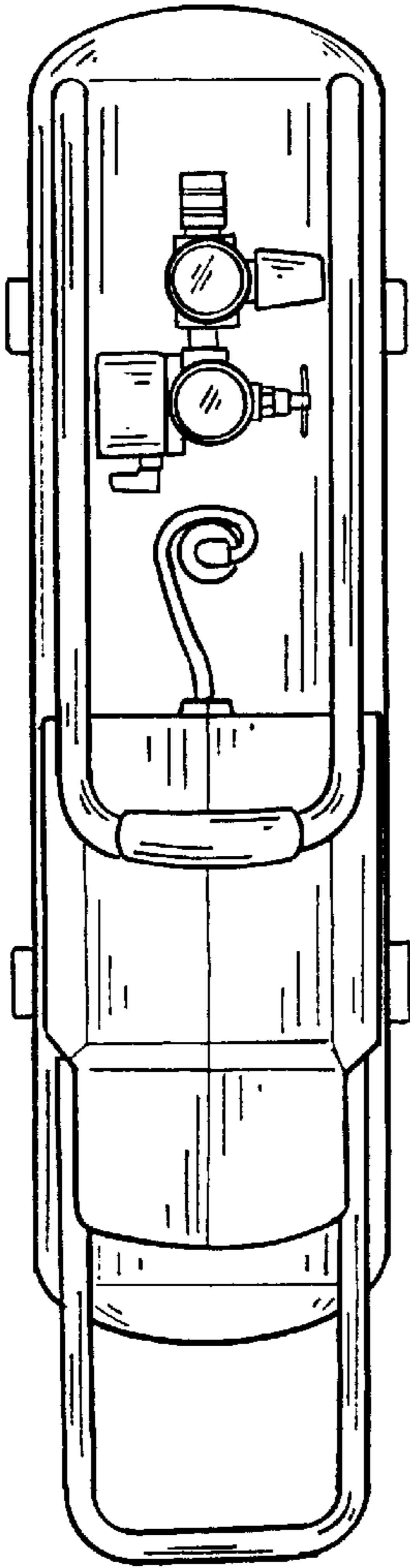


FIG. 2

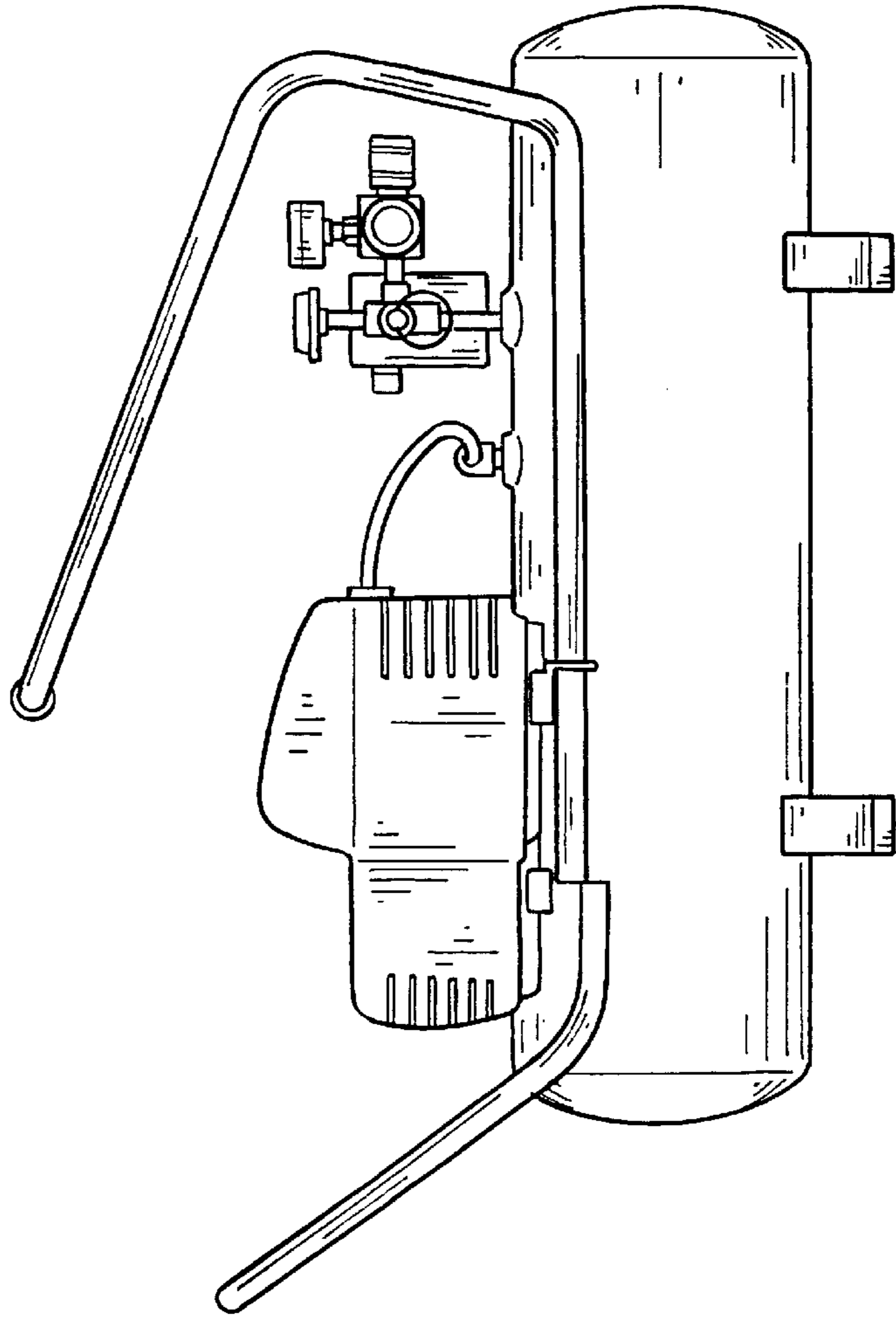


FIG. 3

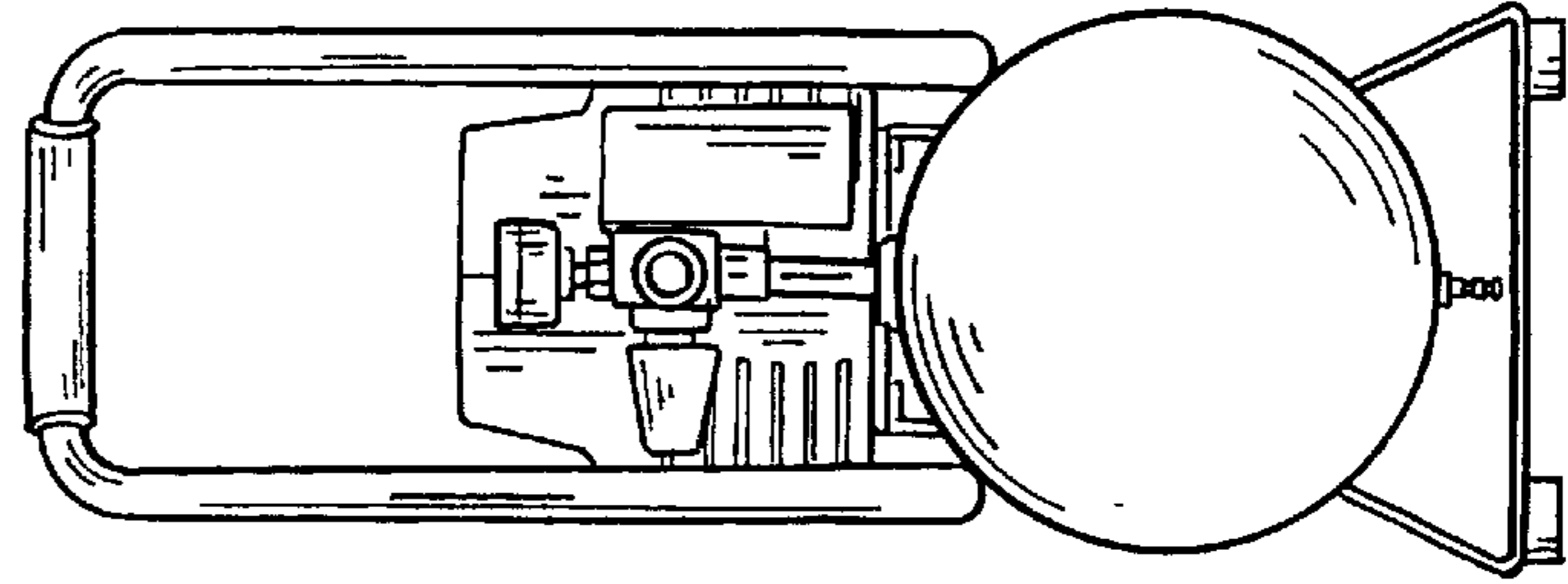


FIG. 4

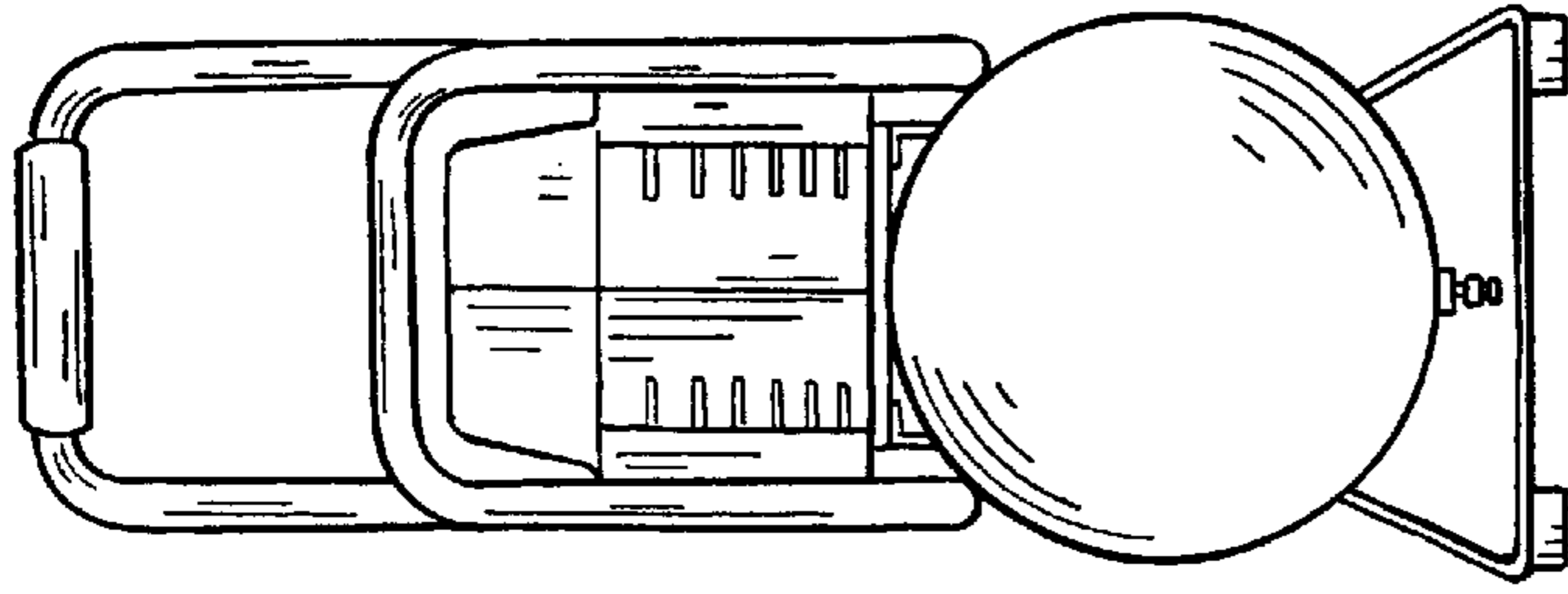


FIG. 6

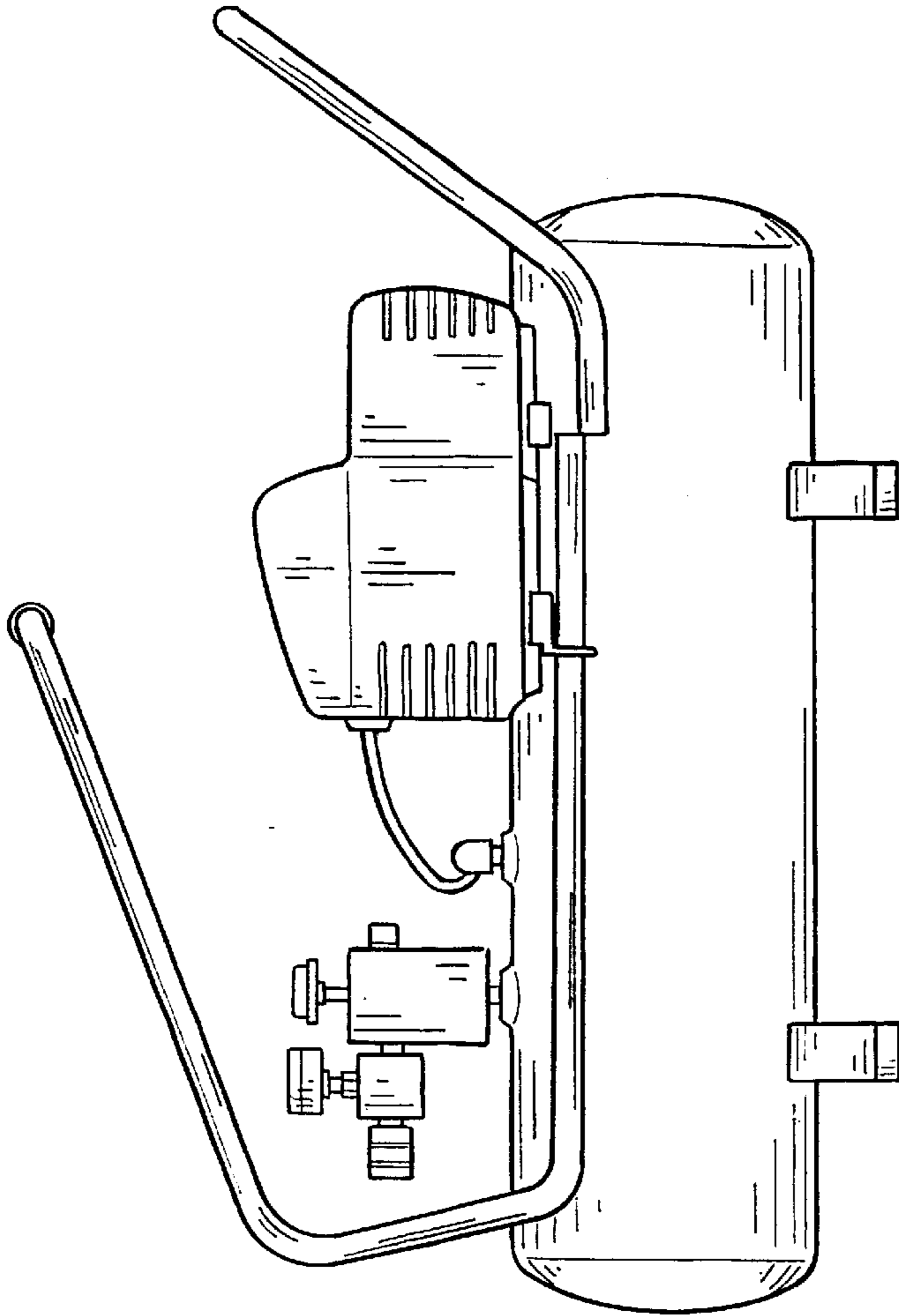


FIG. 5

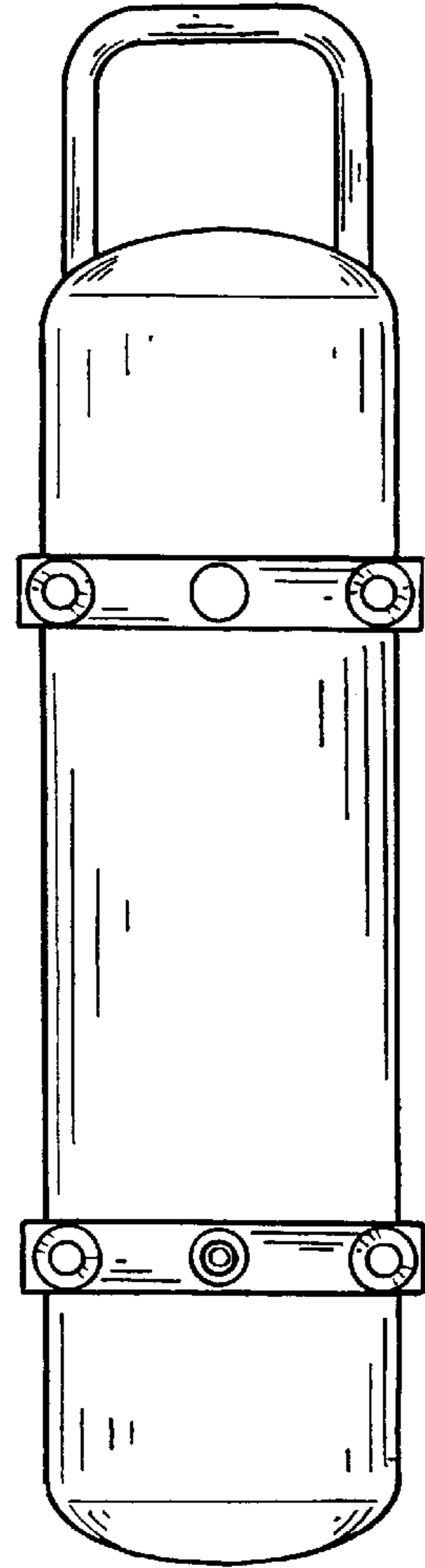


FIG. 7