



US00D444797S

(12) **United States Design Patent**
Davis et al.

(10) **Patent No.:** **US D444,797 S**

(45) **Date of Patent:** **** Jul. 10, 2001**

(54) **6-GALLON PANCAKE**

(75) **Inventors:** **Mike L. Davis; Dave C. Smith; David W. Robenalt; Robert F. Burkholder,** all of Jackson, TN (US); **Andrew Saghini,** Boca Raton, FL (US); **Gary White,** Medina, TN (US)

(73) **Assignee:** **DeVilbiss Air Power Company,** Jackson, TN (US)

(**) **Term:** **14 Years**

(21) **Appl. No.:** **29/119,812**

(22) **Filed:** **Mar. 8, 2000**

(51) **LOC (7) Cl.** **15-02**

(52) **U.S. Cl.** **D15/9**

(58) **Field of Search** D15/7-9; 417/234, 417/360, 44.9, 362; 248/675; 92/58.1; 222/3; 137/899.4

(56) **References Cited**

U.S. PATENT DOCUMENTS

D. 243,282 * 2/1977 Burenga D15/9

D. 373,774 * 9/1996 Chen D15/9

D. 377,799 * 2/1997 Kruzel et al. D15/7

D. 384,676 * 10/1997 Cyphers et al. D15/7

D. 435,048 * 12/2000 Breaser et al. D15/7

* cited by examiner

Primary Examiner—Ralf Seifert

(74) *Attorney, Agent, or Firm*—Suiter & Associates PC

(57) **CLAIM**

We claim the ornamental design for a 6-gallon pancake, as shown.

DESCRIPTION

FIG. 1 is a isometric view of the 6-gallon pancake.

FIG. 2 is a top plan view thereof;

FIG. 3 is a front elevation view thereof;

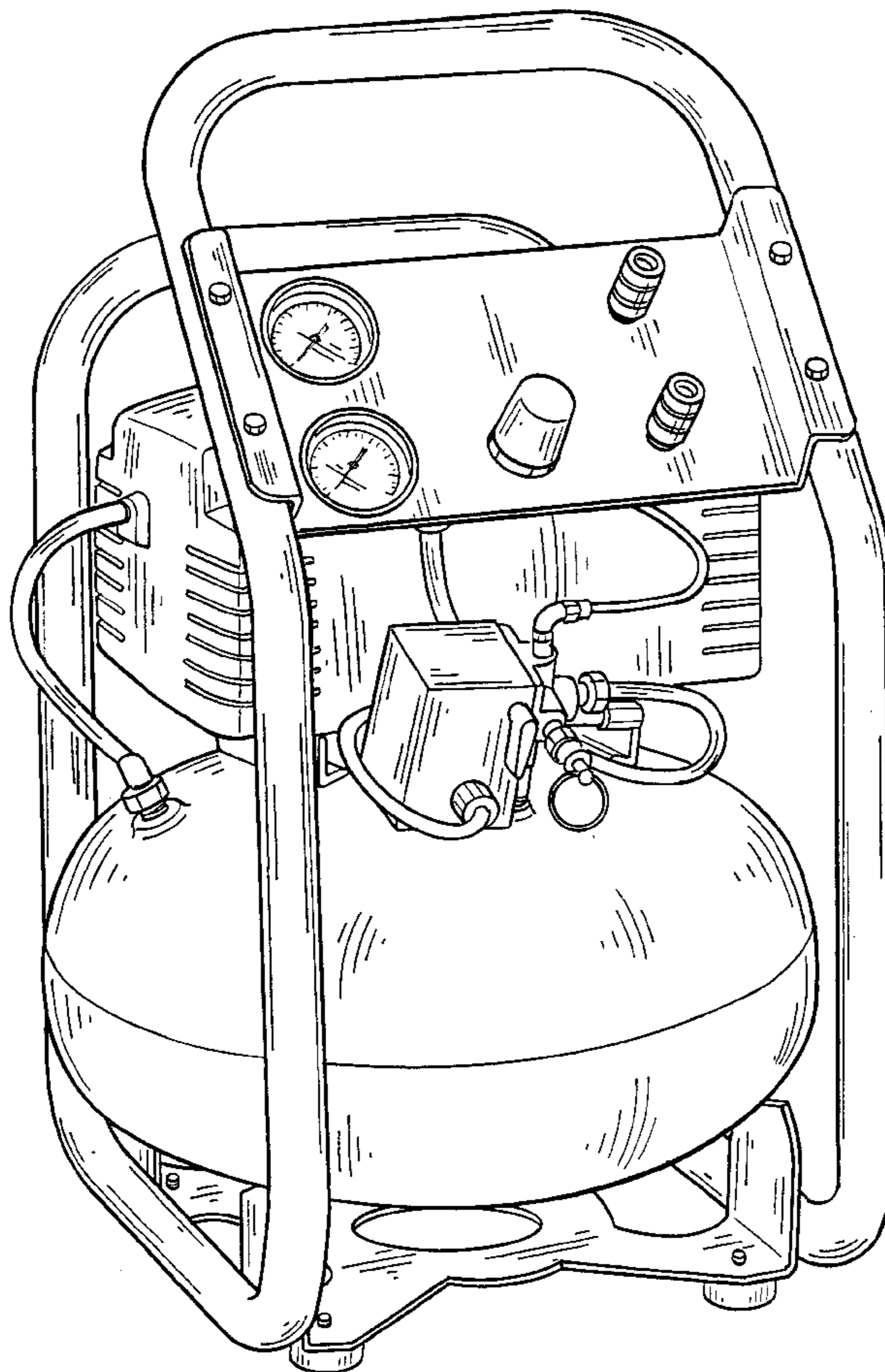
FIG. 4 is a left side elevation view thereof;

FIG. 5 is a right side elevation view thereof;

FIG. 6 is a rear elevation view thereof; and,

FIG. 7 is a bottom plan view thereof.

1 Claim, 3 Drawing Sheets



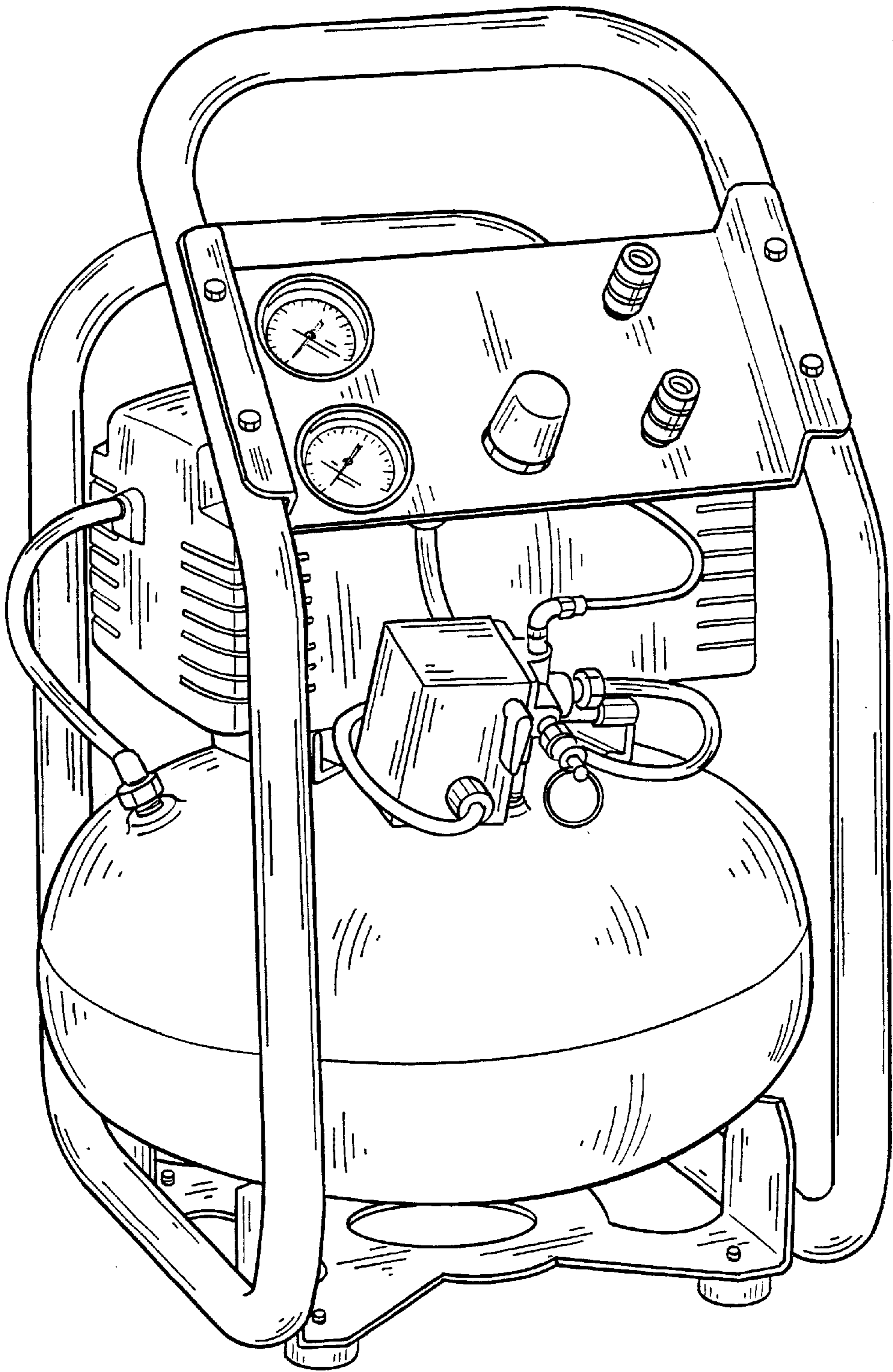


FIG. 1

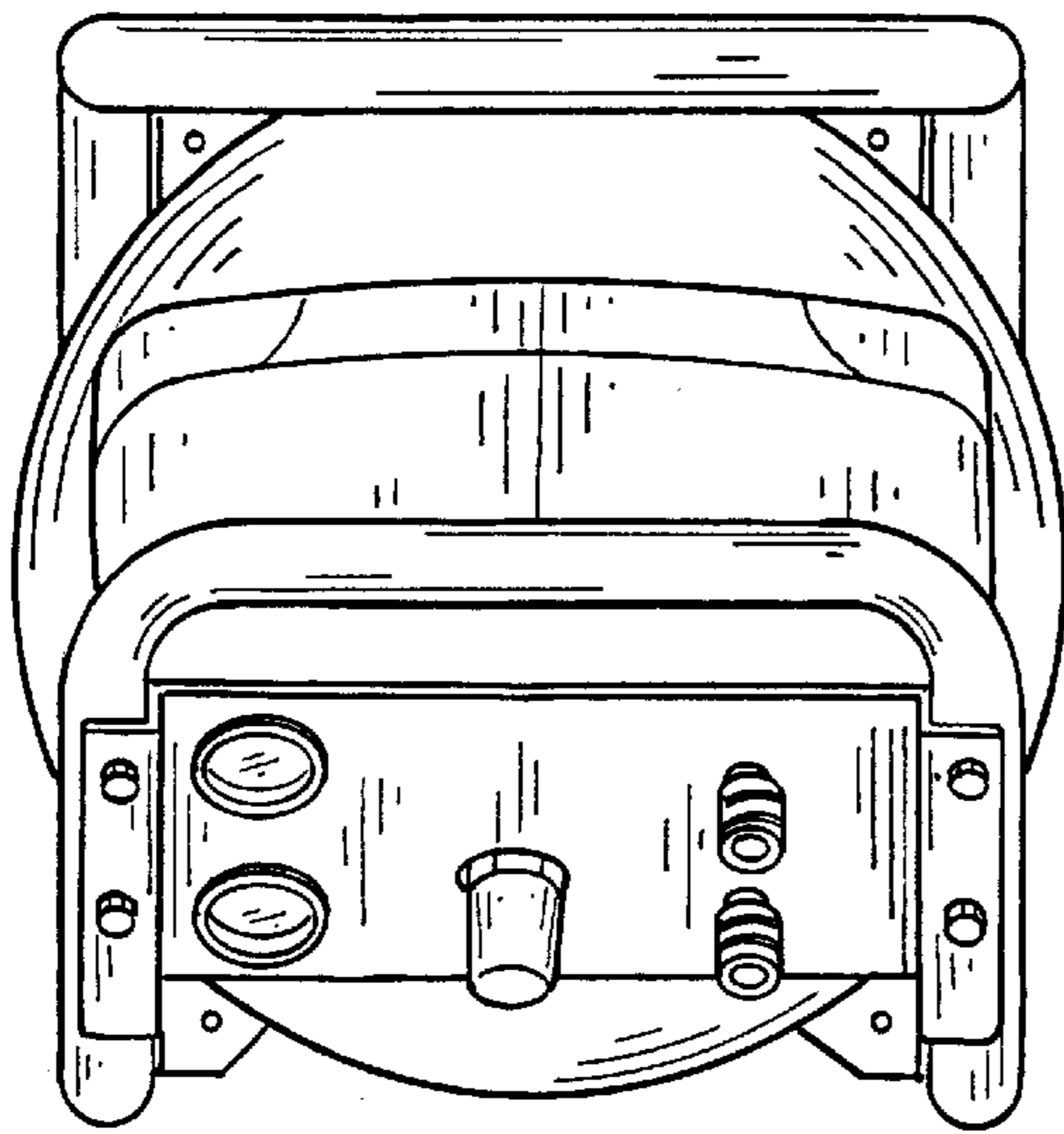


FIG. 2

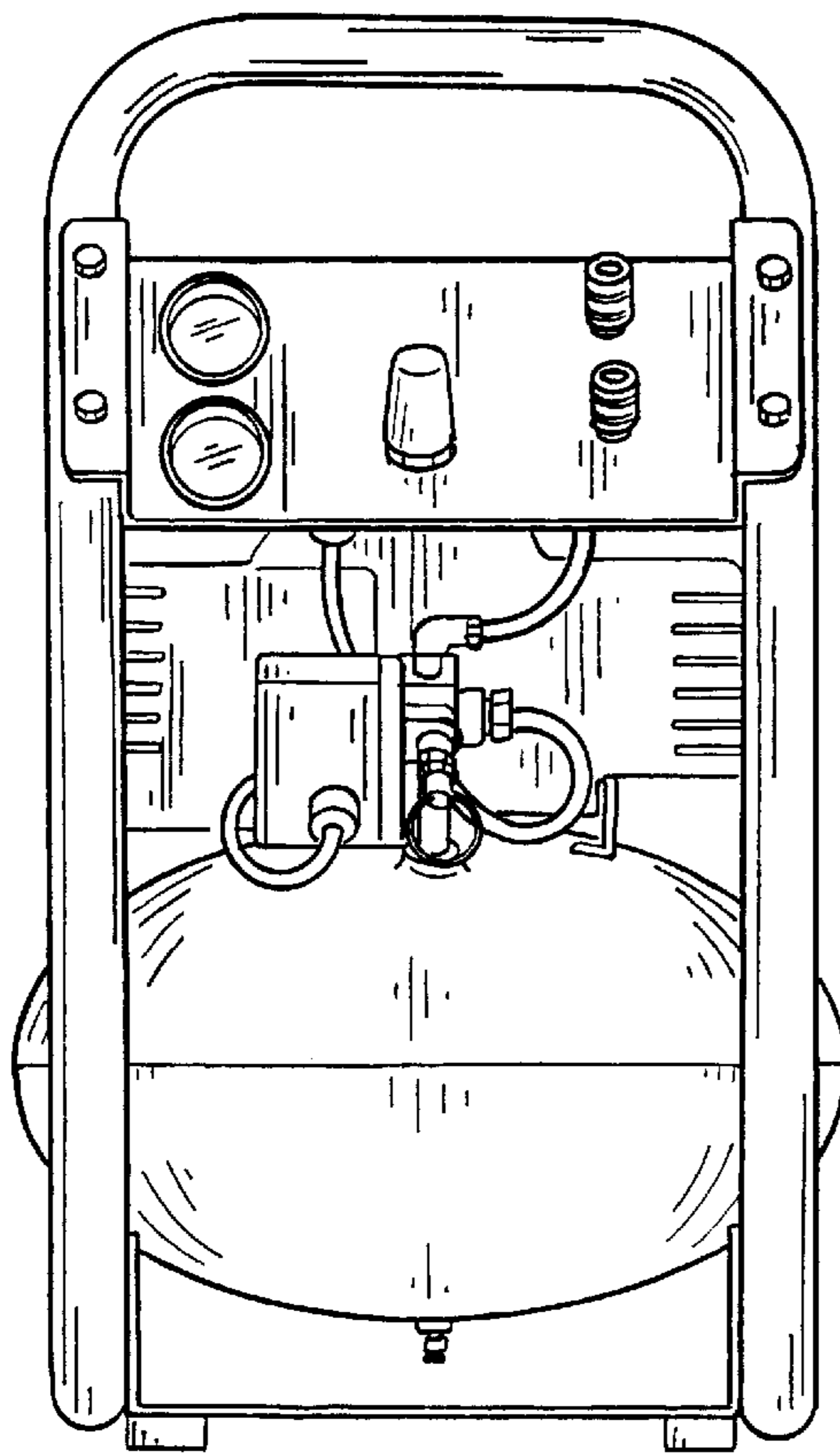


FIG. 3

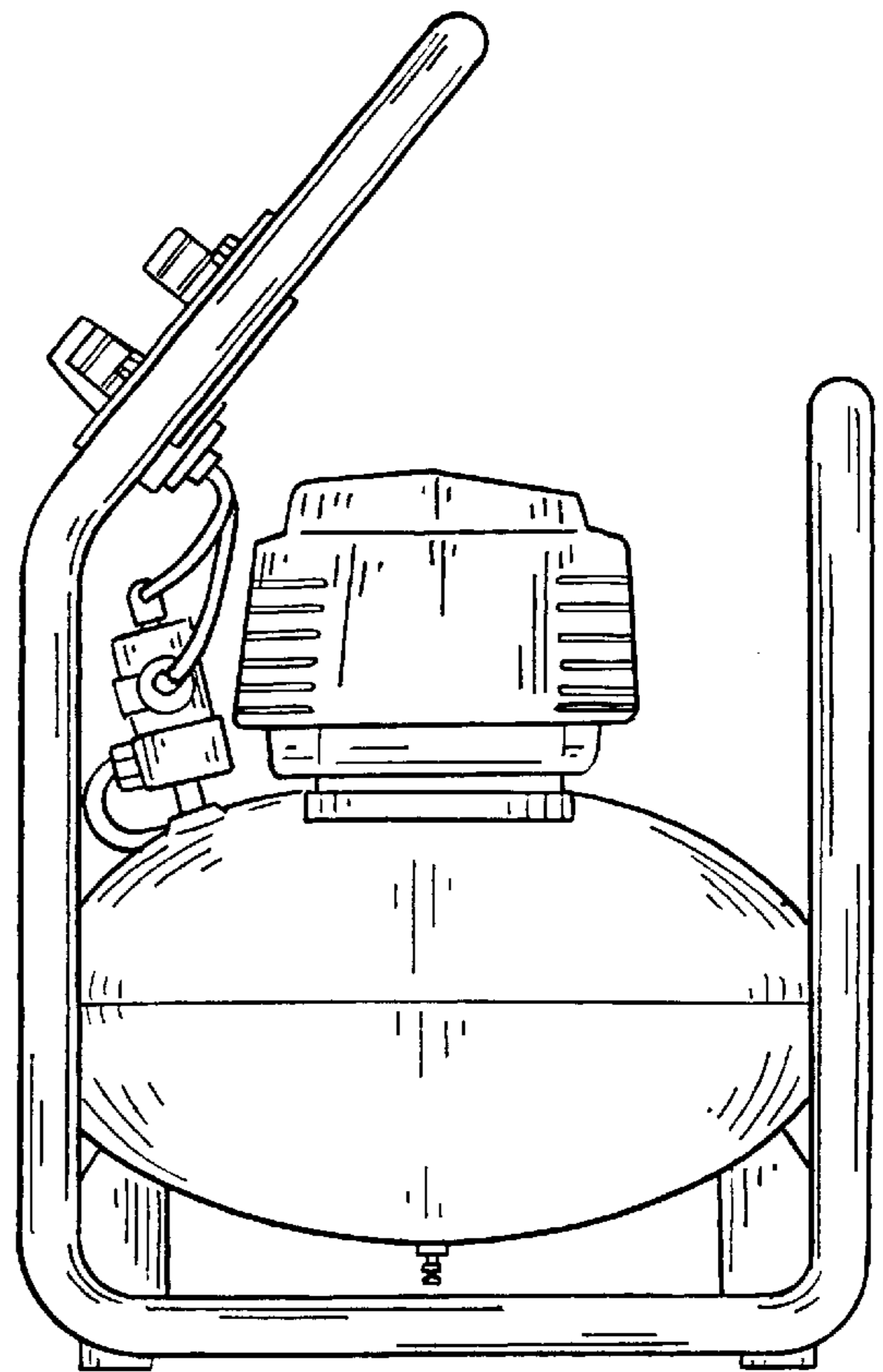


FIG. 4

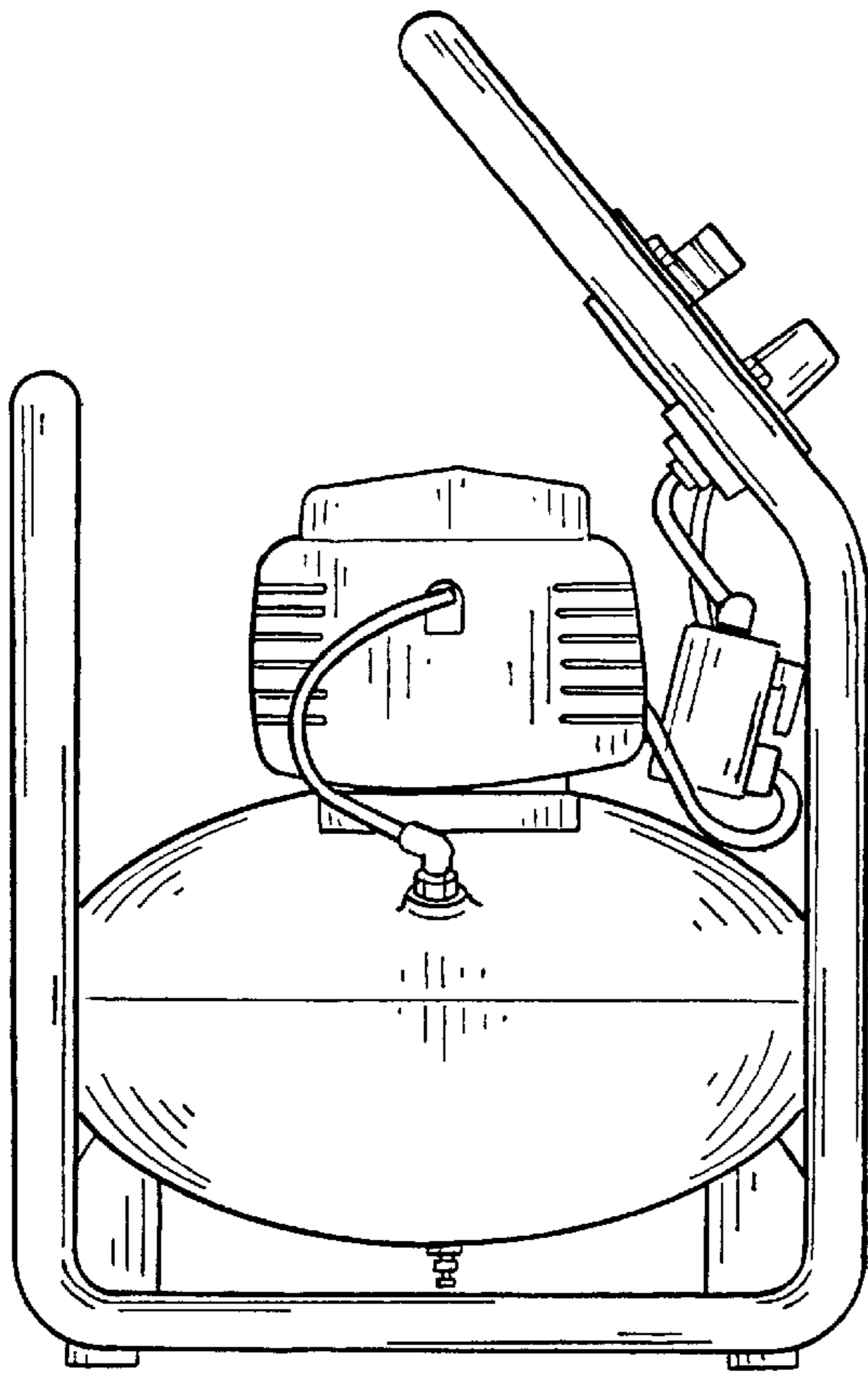


FIG. 5

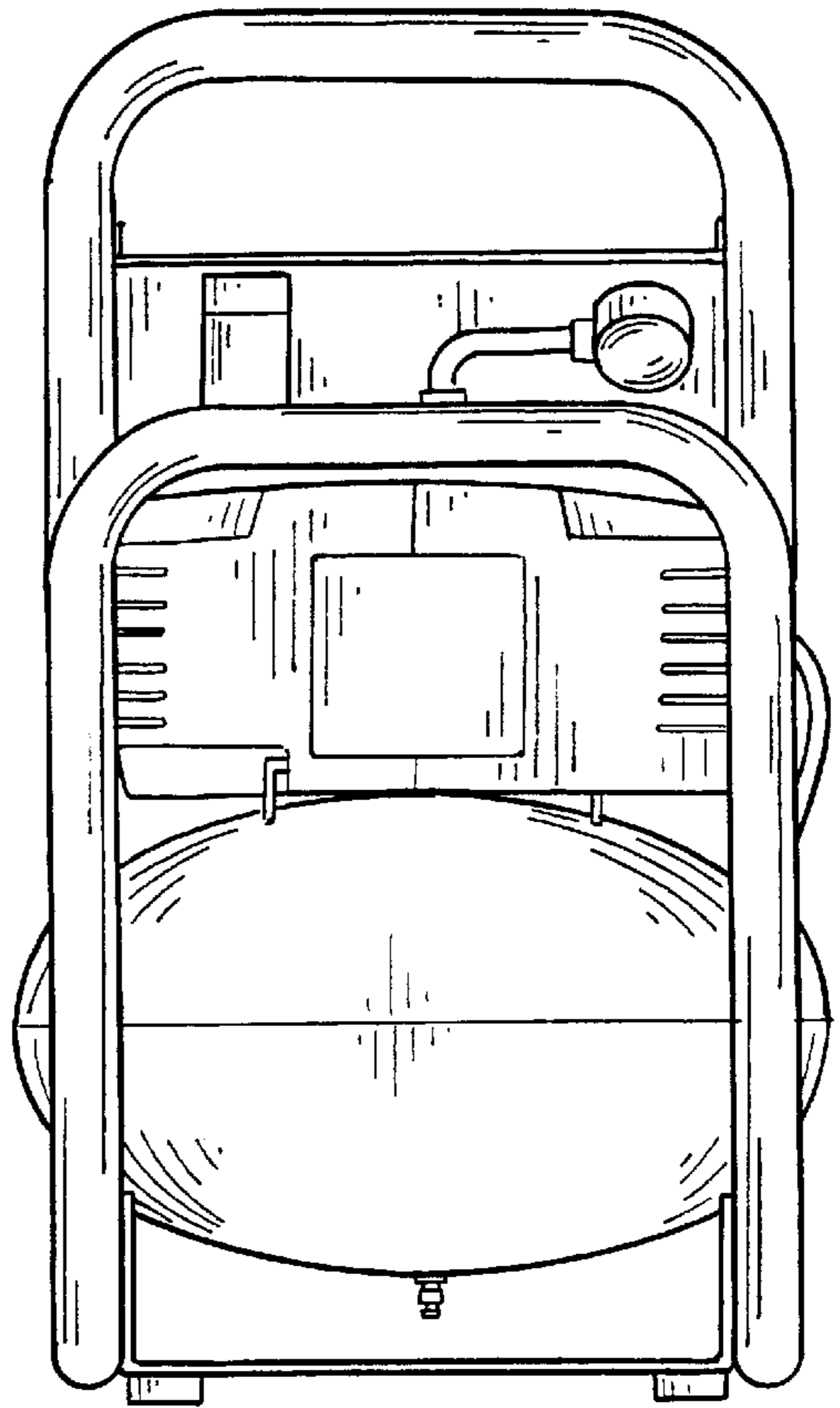


FIG. 6

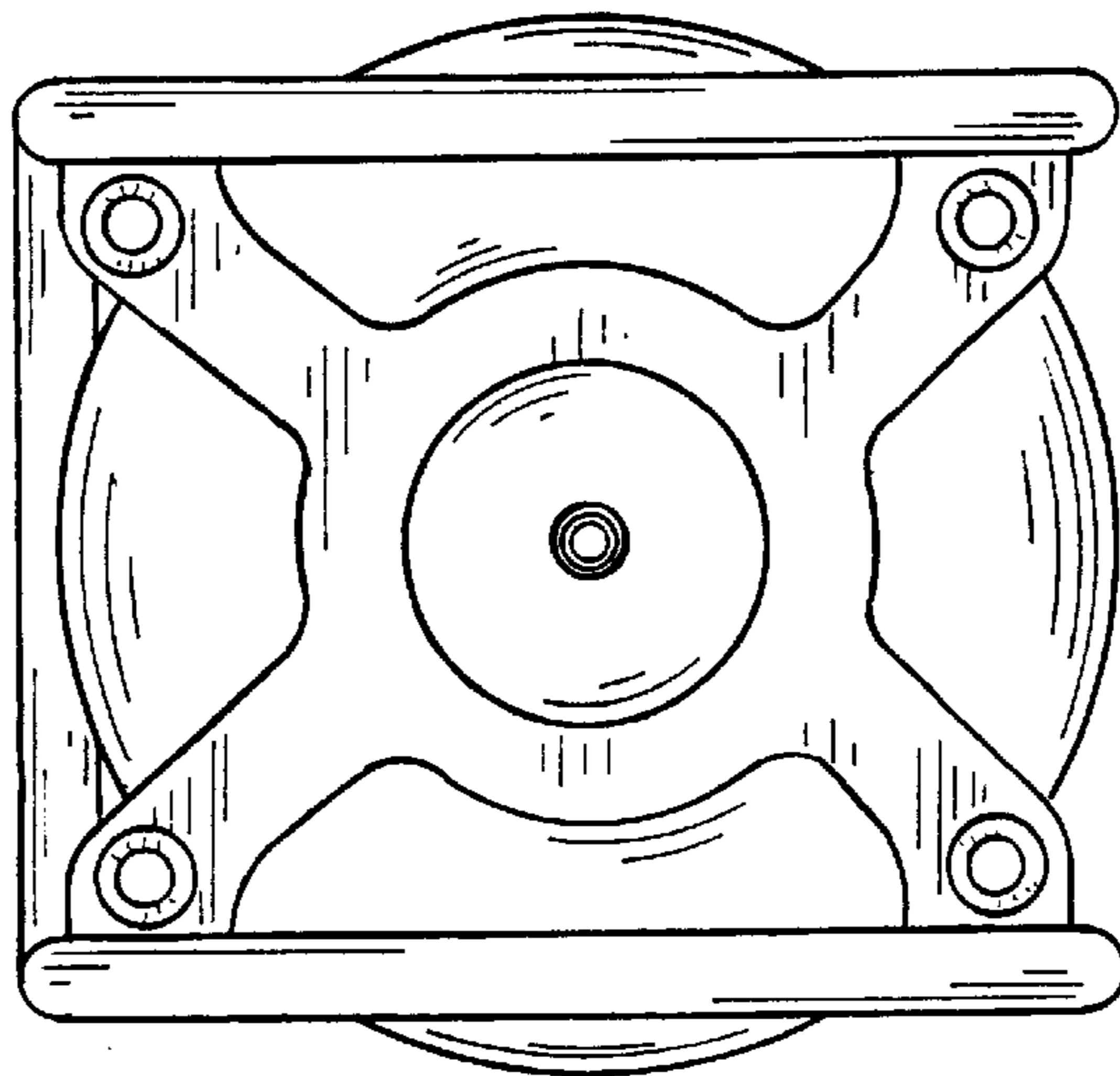


FIG. 7