



US00D444796S

(12) **United States Design Patent**
Morgan

(10) **Patent No.:** **US D444,796 S**

(45) **Date of Patent:** **** Jul. 10, 2001**

(54) **DOUBLE HOTDOG**
(75) Inventor: **Fred M. Morgan**, Jackson, TN (US)
(73) Assignee: **DeVilbiss Air Power Company**,
Jackson, TN (US)
(**) Term: **14 Years**

D. 377,799 * 2/1997 Kruzel et al. D15/7
D. 384,676 * 10/1997 Cyphers et al. D15/7
D. 435,048 * 12/2000 Breerer et al. D15/7

* cited by examiner

Primary Examiner—Ralf Seifert

(74) *Attorney, Agent, or Firm*—Suiter & Associates PC

(21) Appl. No.: **29/119,801**
(22) Filed: **Mar. 8, 2000**

(57) **CLAIM**

We claim the ornamental design for a double hotdog, as shown.

(51) **LOC (7) Cl.** **15-02**
(52) **U.S. Cl.** **D15/9**
(58) **Field of Search** D15/7-9; 417/234,
417/360, 44.9, 362; 248/675, 657; 92/58.1;
222/3; 137/899.4

DESCRIPTION

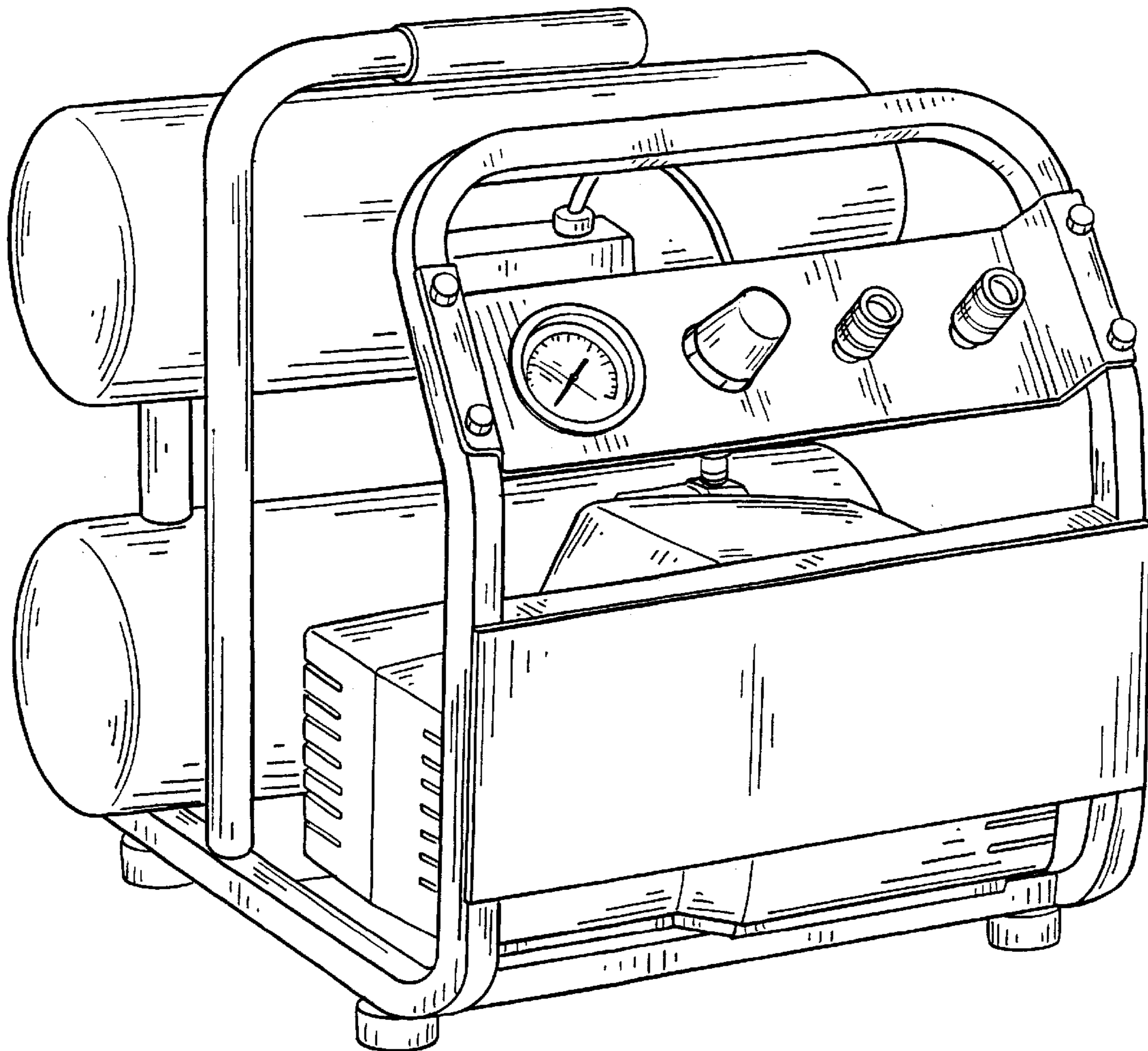
FIG. 1 is an isometric view of the double hotdog design;
FIG. 2 is a top plan view thereof;
FIG. 3 is a front side view thereof;
FIG. 4 is a left side elevation view thereof;
FIG. 5 is a right side elevation view thereof;
FIG. 6 is a rear side elevation view thereof; and,
FIG. 7 is a bottom plan view thereof.

(56) **References Cited**

U.S. PATENT DOCUMENTS

D. 243,282 * 2/1977 Burenga D15/9
D. 373,774 * 9/1996 Chen D15/9

1 Claim, 3 Drawing Sheets



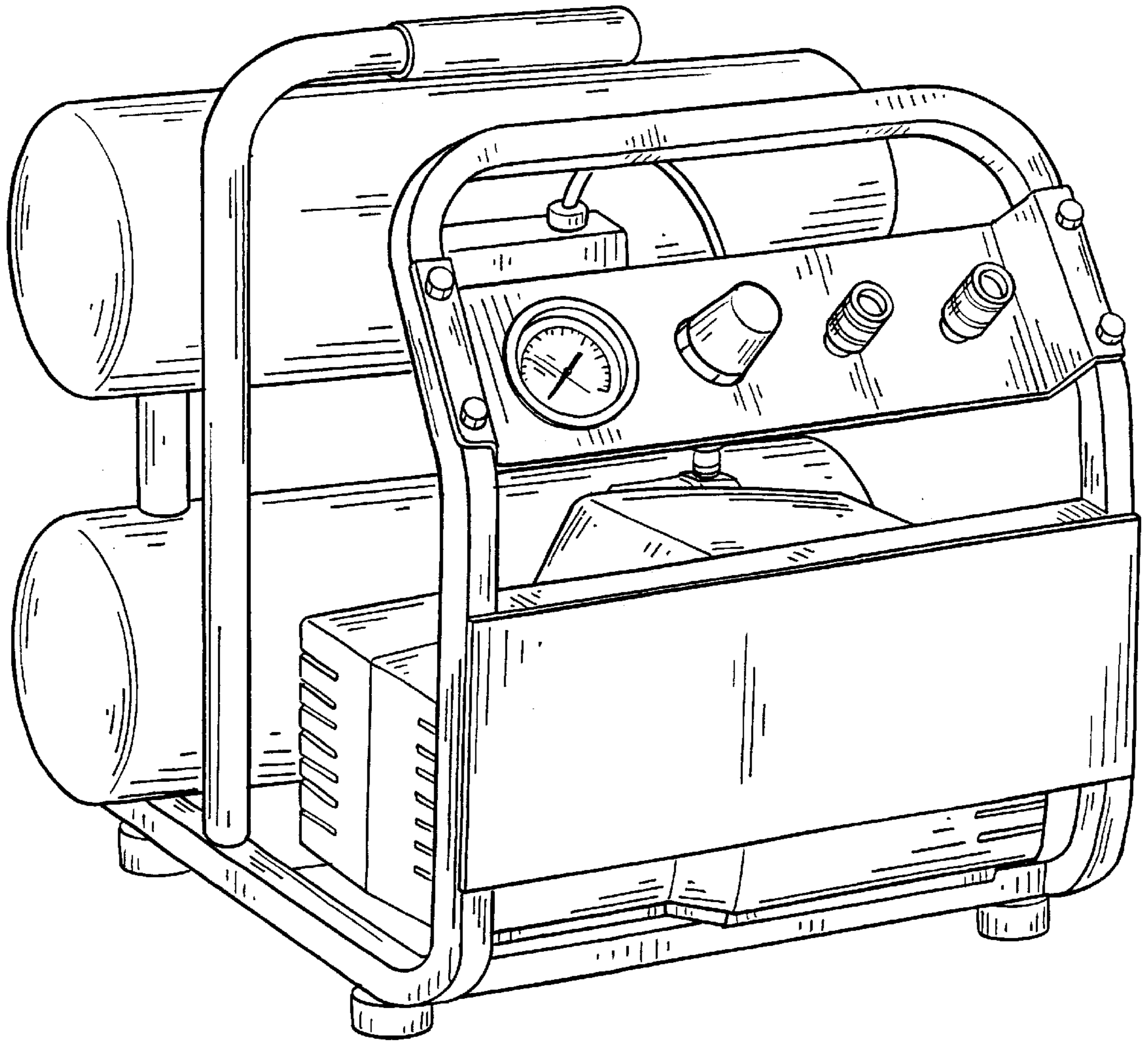


FIG. 1

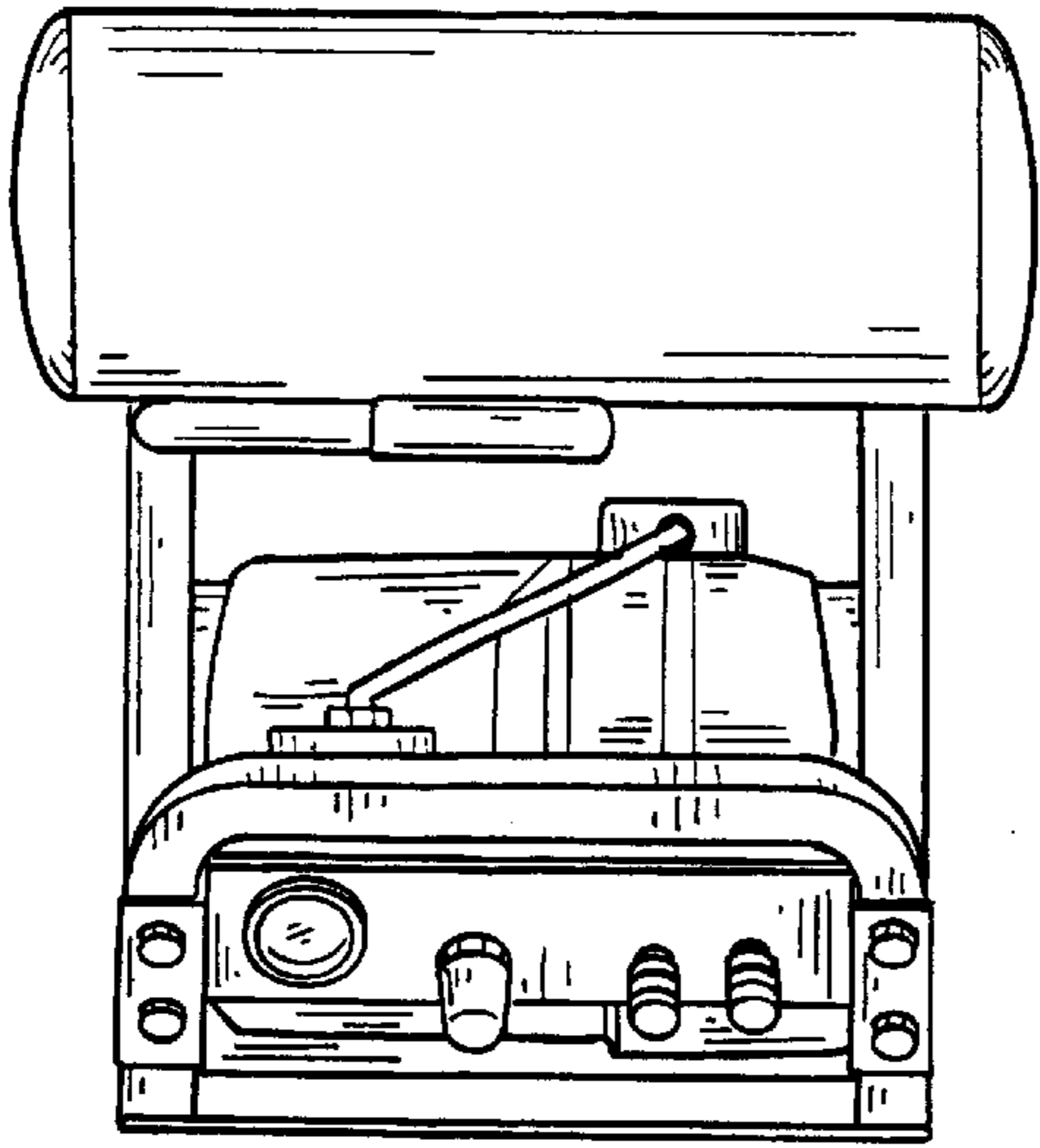


FIG 2

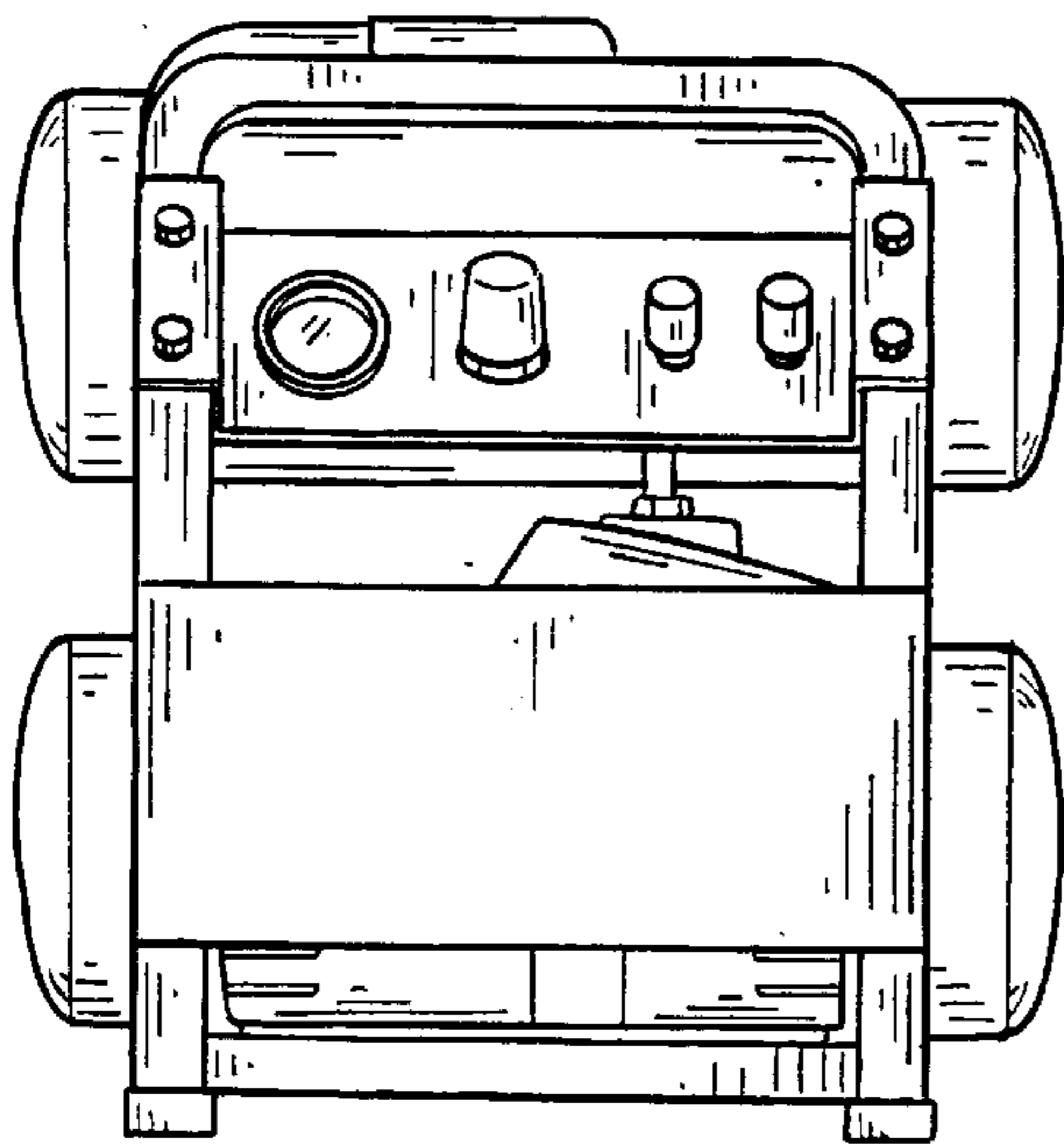


FIG. 3

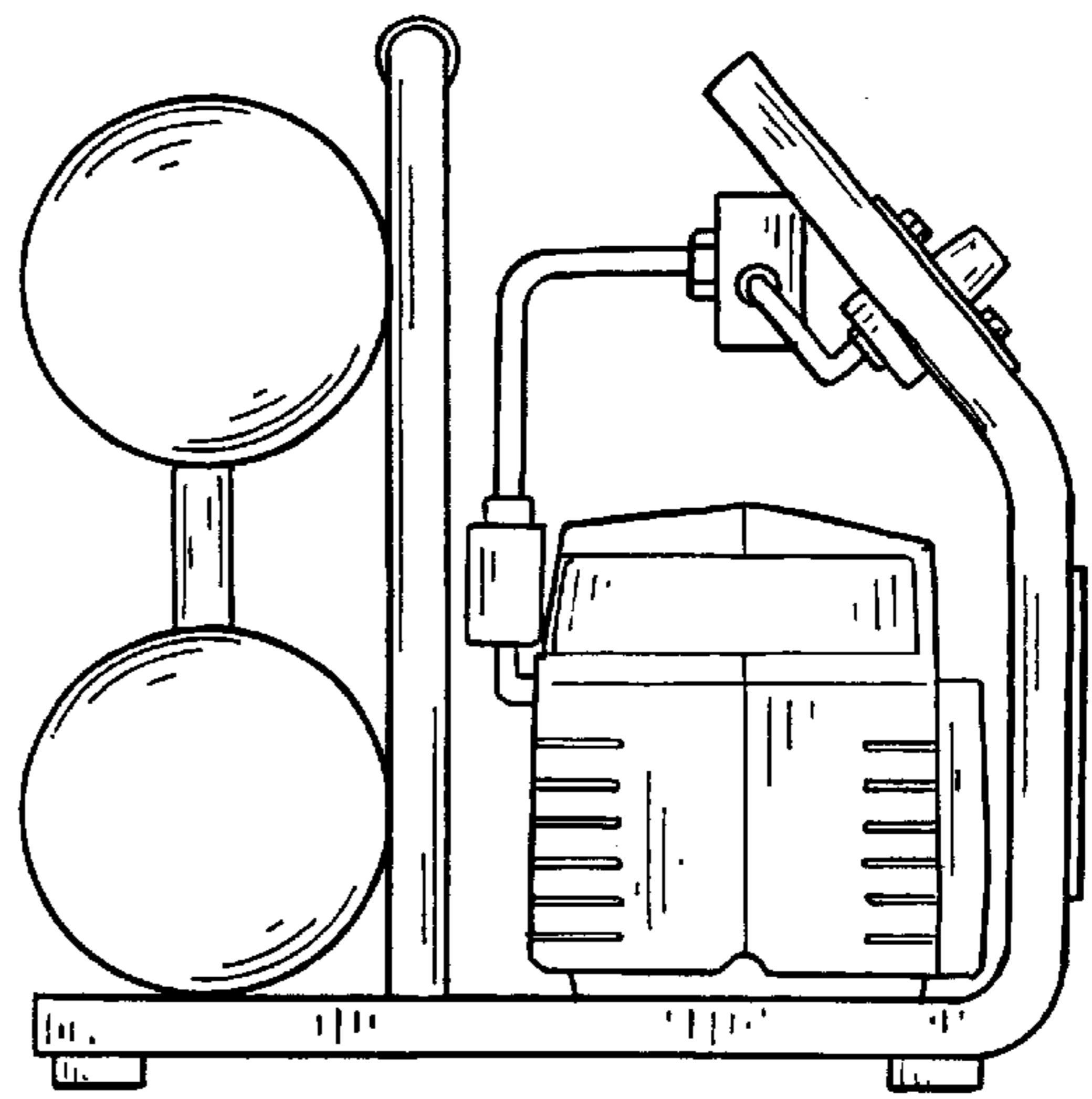


FIG. 4

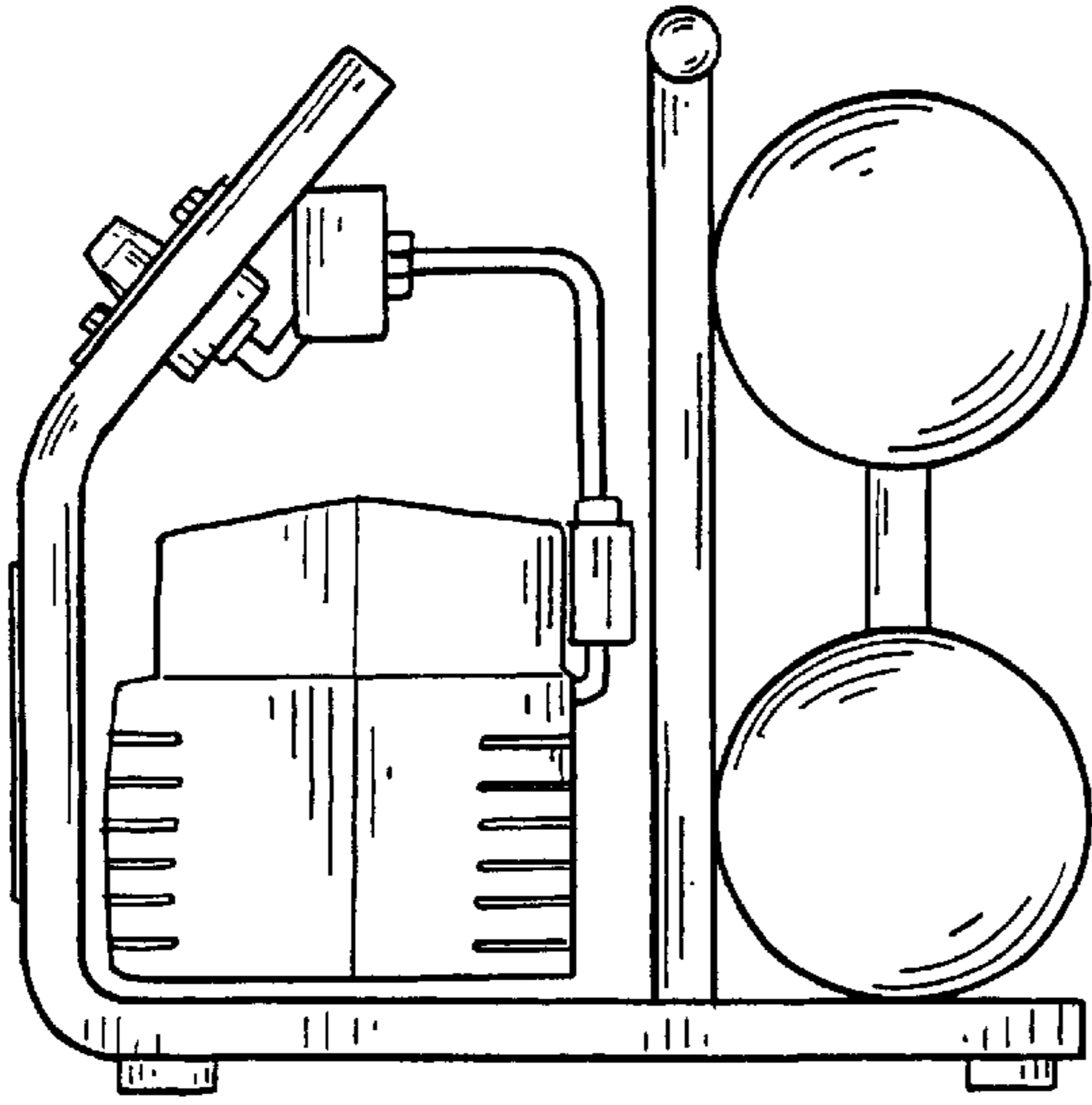


FIG. 5

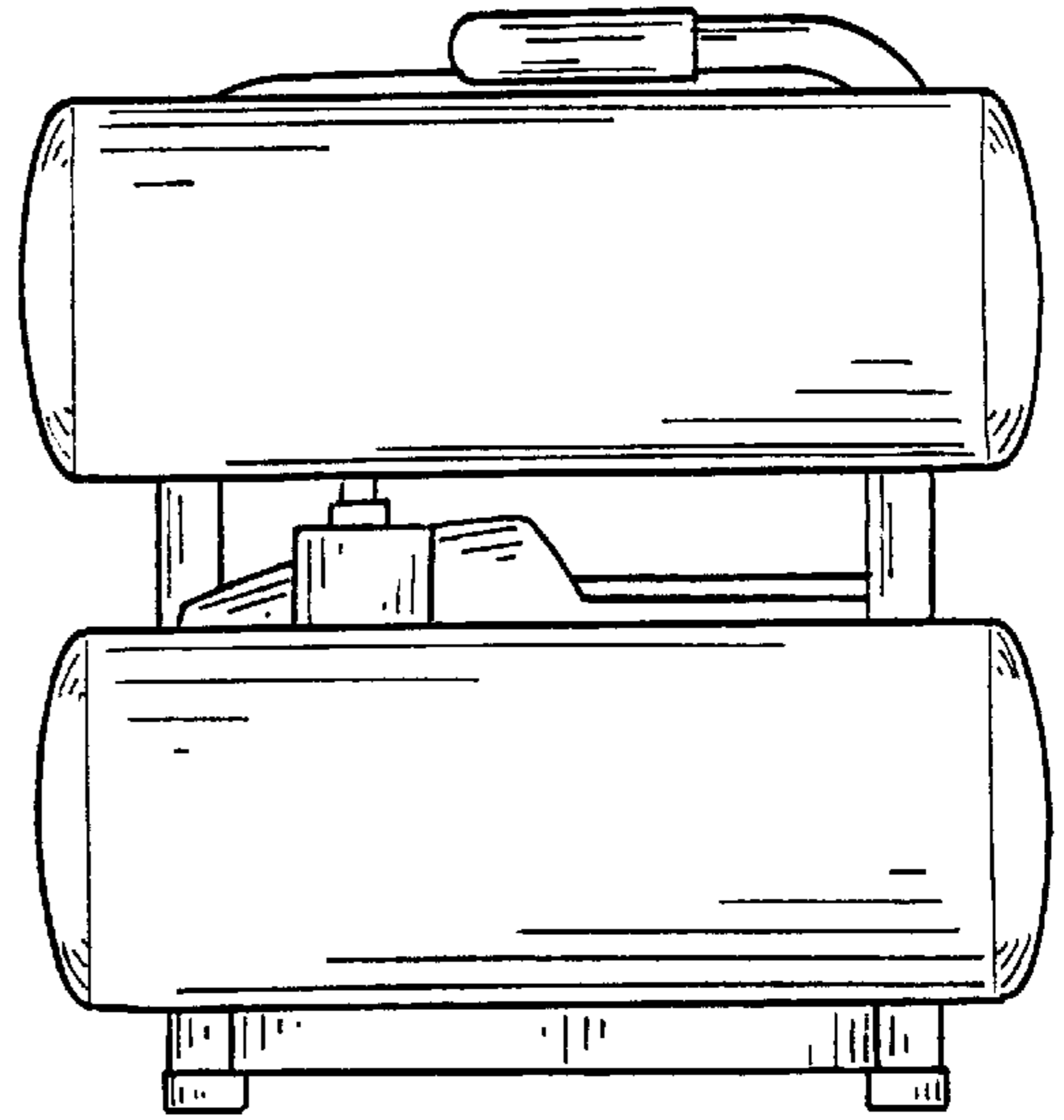


FIG. 6

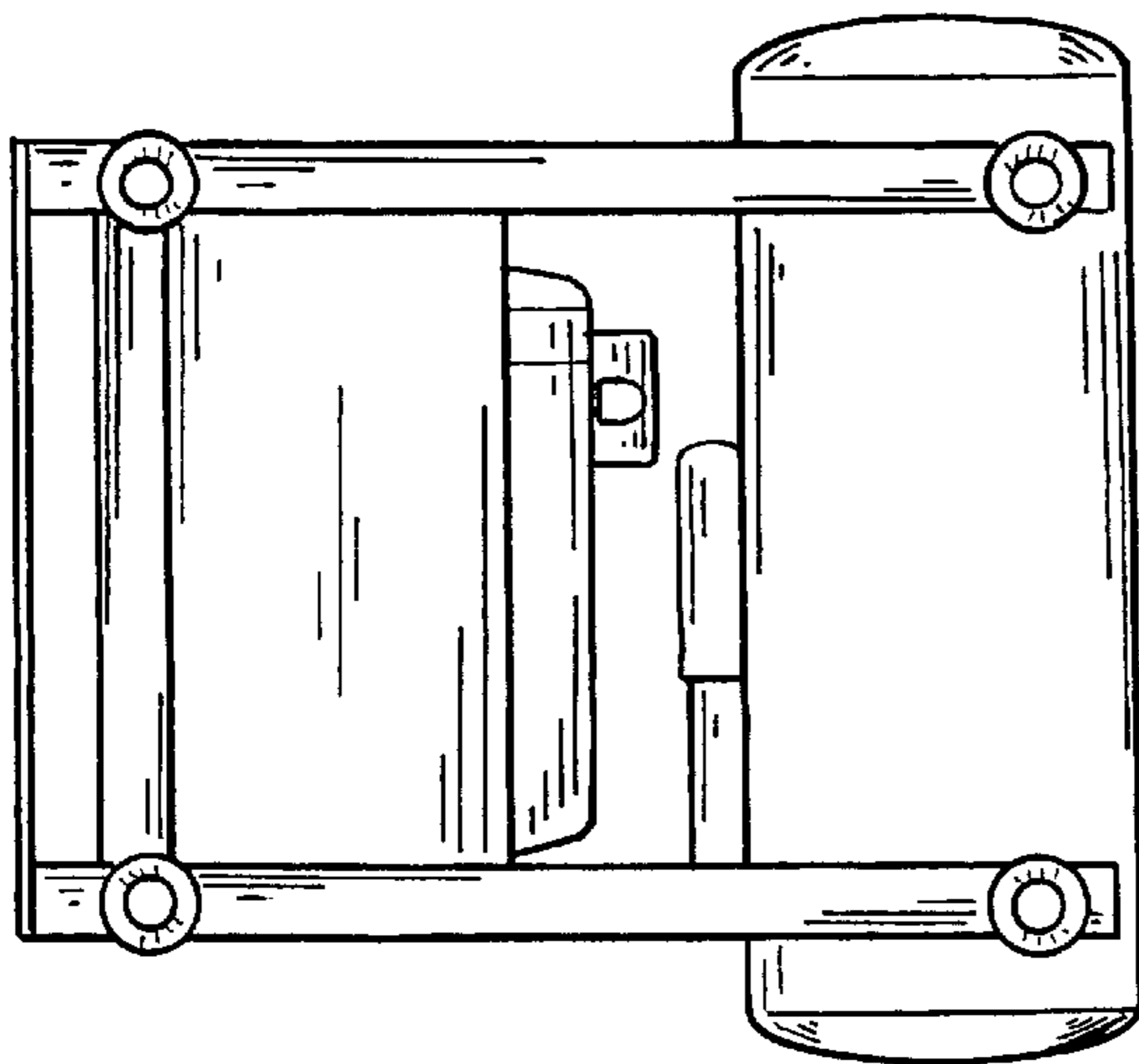


FIG. 7