



US00D444795S

(12) **United States Design Patent**
Wakasugi et al.

(10) **Patent No.:** **US D444,795 S**

(45) **Date of Patent:** **** Jul. 10, 2001**

(54) **FLUID PRESSURE CYLINDER**

(75) Inventors: **Mituharu Wakasugi; Tsukasa Kagiya**, both of Ibaraki (JP)

(73) Assignee: **SMC Corporation**, Tokyo (JP)

(**) Term: **14 Years**

(21) Appl. No.: **29/121,922**

(22) Filed: **Apr. 18, 2000**

(30) **Foreign Application Priority Data**

Oct. 18, 1999 (JP) 11-28498

(51) **LOC (7) Cl.** **15-02**

(52) **U.S. Cl.** **D15/7**

(58) **Field of Search** D15/7-9; 91/275,
91/399; 417/403, 404, 437, 460; 92/88,
161, 146, 169.1, 159

(56) **References Cited**

U.S. PATENT DOCUMENTS

- D. 295,048 * 4/1988 Kanno D15/7
- D. 295,049 * 4/1988 Kanno D15/7
- D. 295,050 * 4/1988 Kanno D15/7

- D. 295,180 * 4/1988 Kanno D15/7
- D. 301,583 * 6/1989 Herner D15/7
- D. 369,610 * 5/1996 Iida D15/7
- D. 417,457 * 12/1999 Asahara D15/7

* cited by examiner

Primary Examiner—Ralf Seifert

(74) *Attorney, Agent, or Firm*—Oblon, Spivak, McClelland, Maier & Neustadt, P.C.

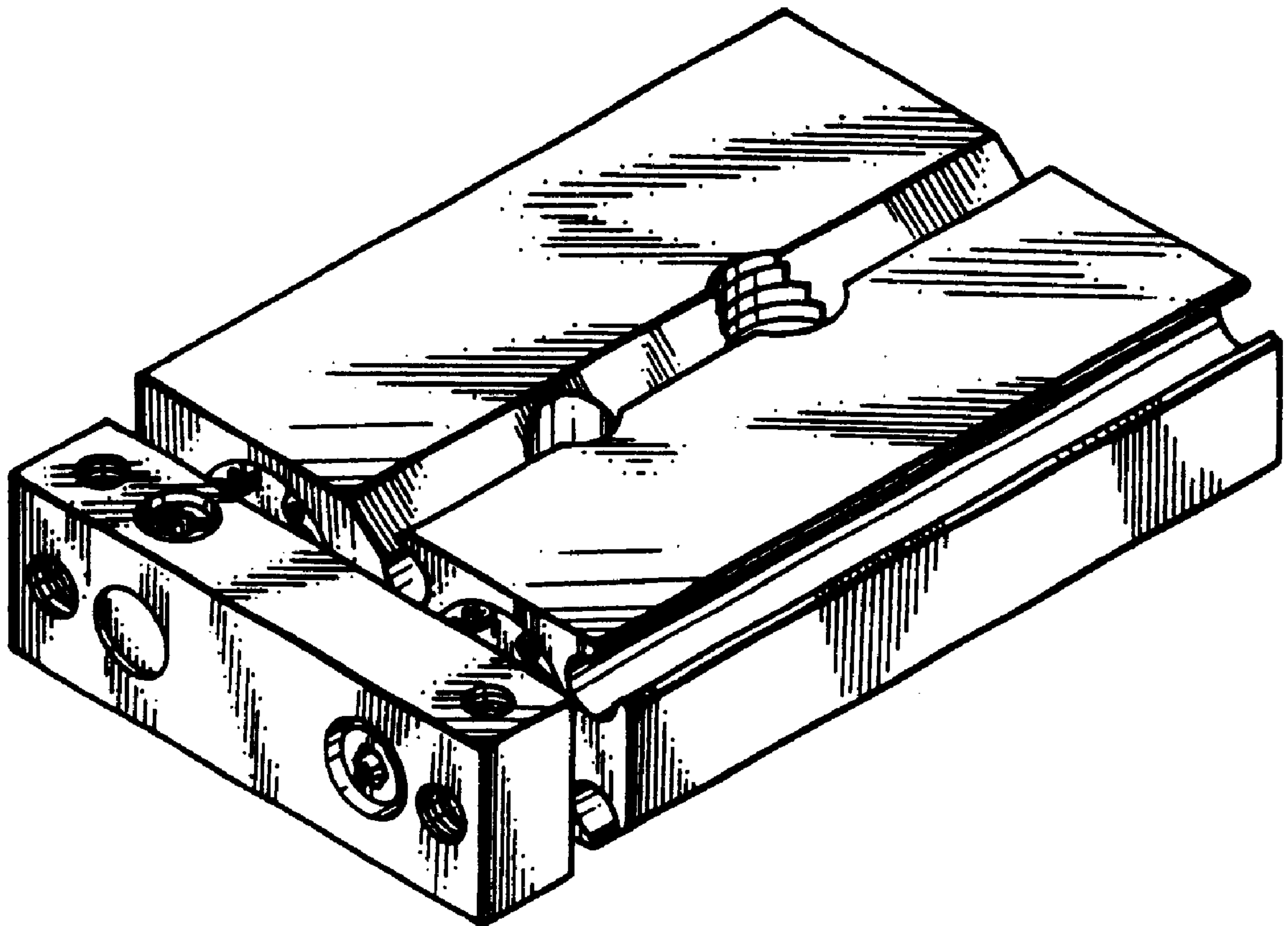
(57) **CLAIM**

The ornamental design for a fluid pressure cylinder, as shown and described.

DESCRIPTION

FIG. 1 is a bottom and left front perspective view of a fluid pressure cylinder, showing our design;
 FIG. 2 is a top and right rear perspective view thereof;
 FIG. 3 is a front elevational thereof;
 FIG. 4 is a rear elevational view thereof;
 FIG. 5 is a top plan view thereof;
 FIG. 6 is a bottom plan view thereof;
 FIG. 7 is a left side elevational view thereof; and,
 FIG. 8 is a right side elevational view thereof.

1 Claim, 2 Drawing Sheets



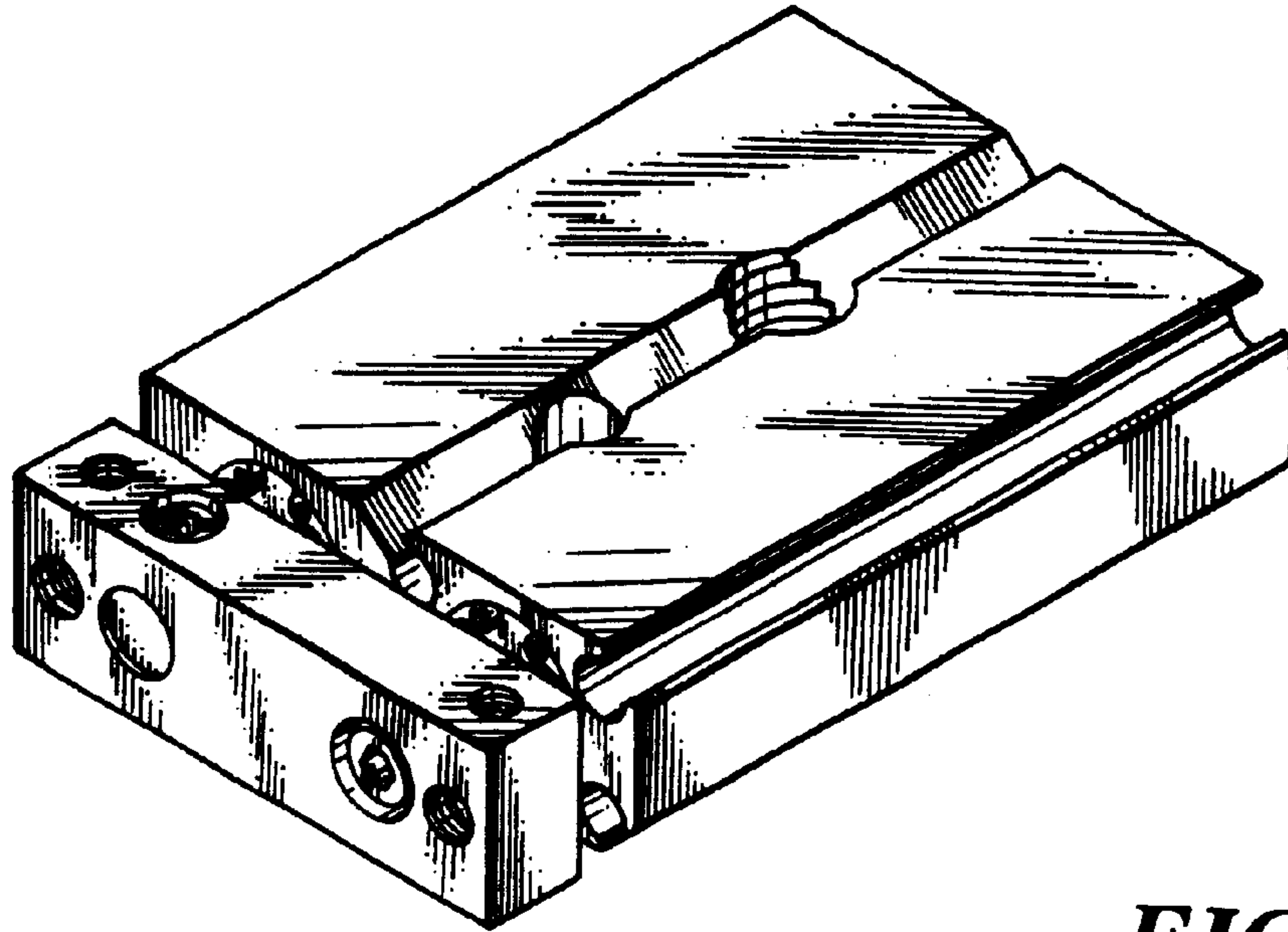


FIG. 1

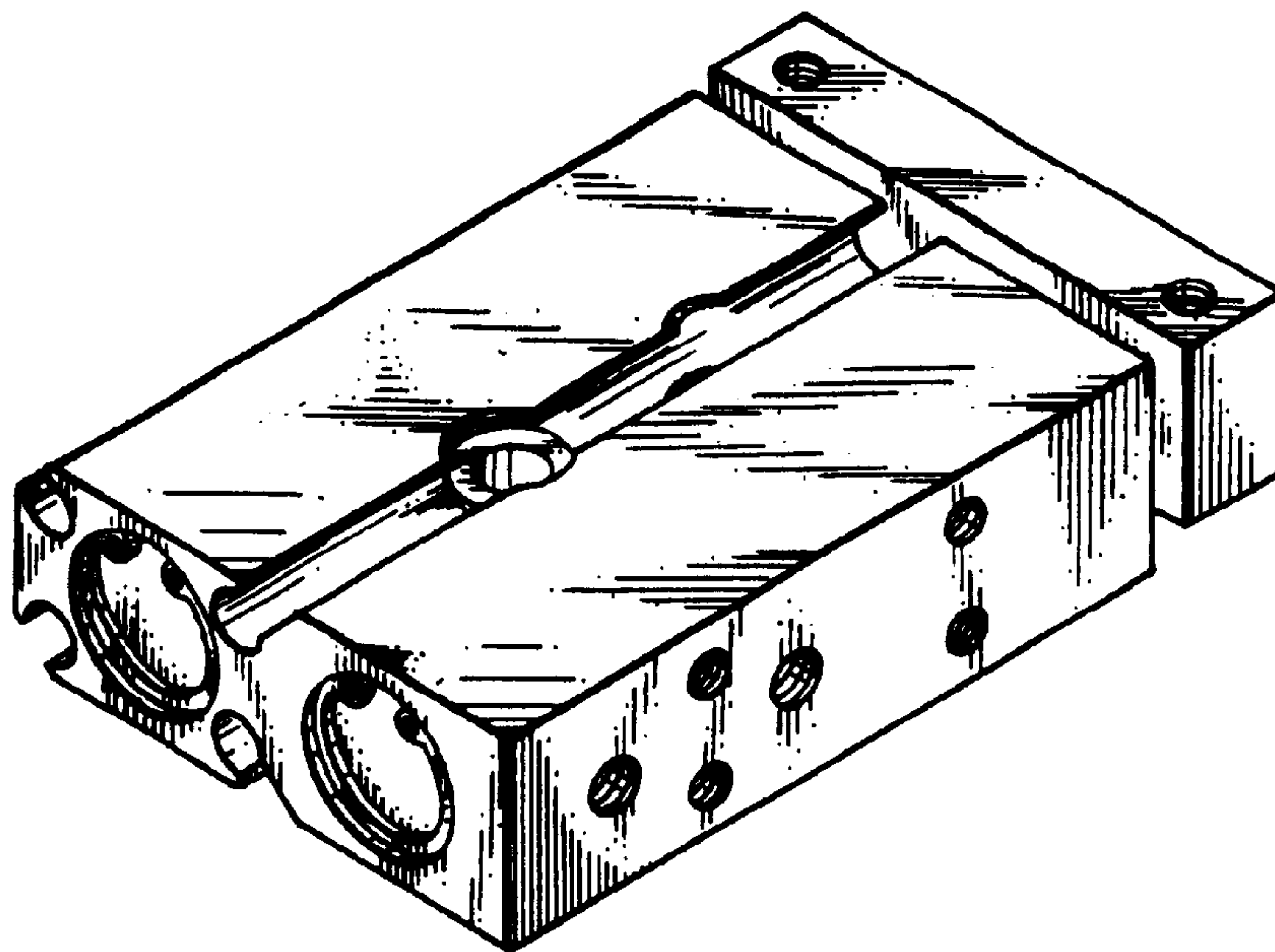


FIG. 2

FIG. 3

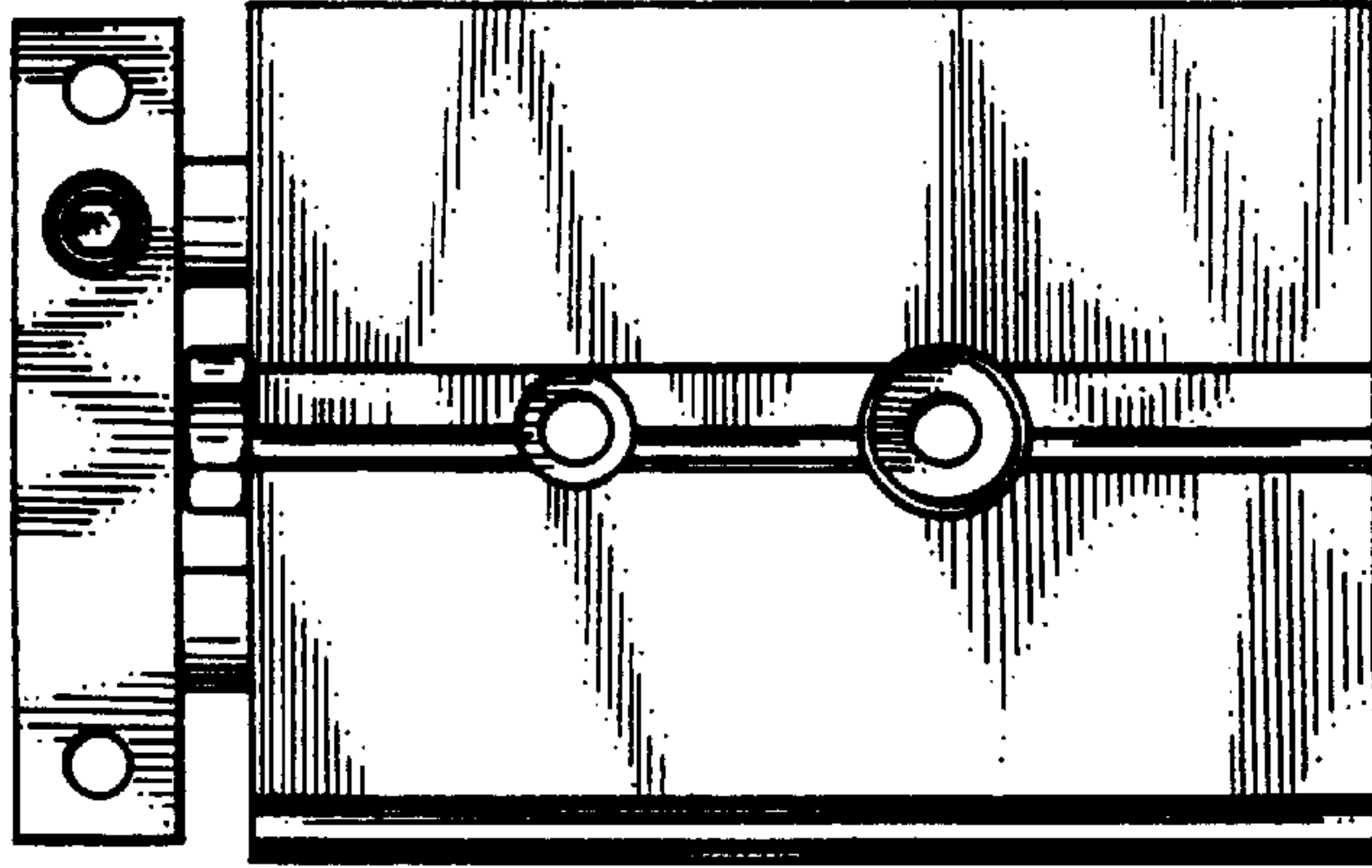


FIG. 7

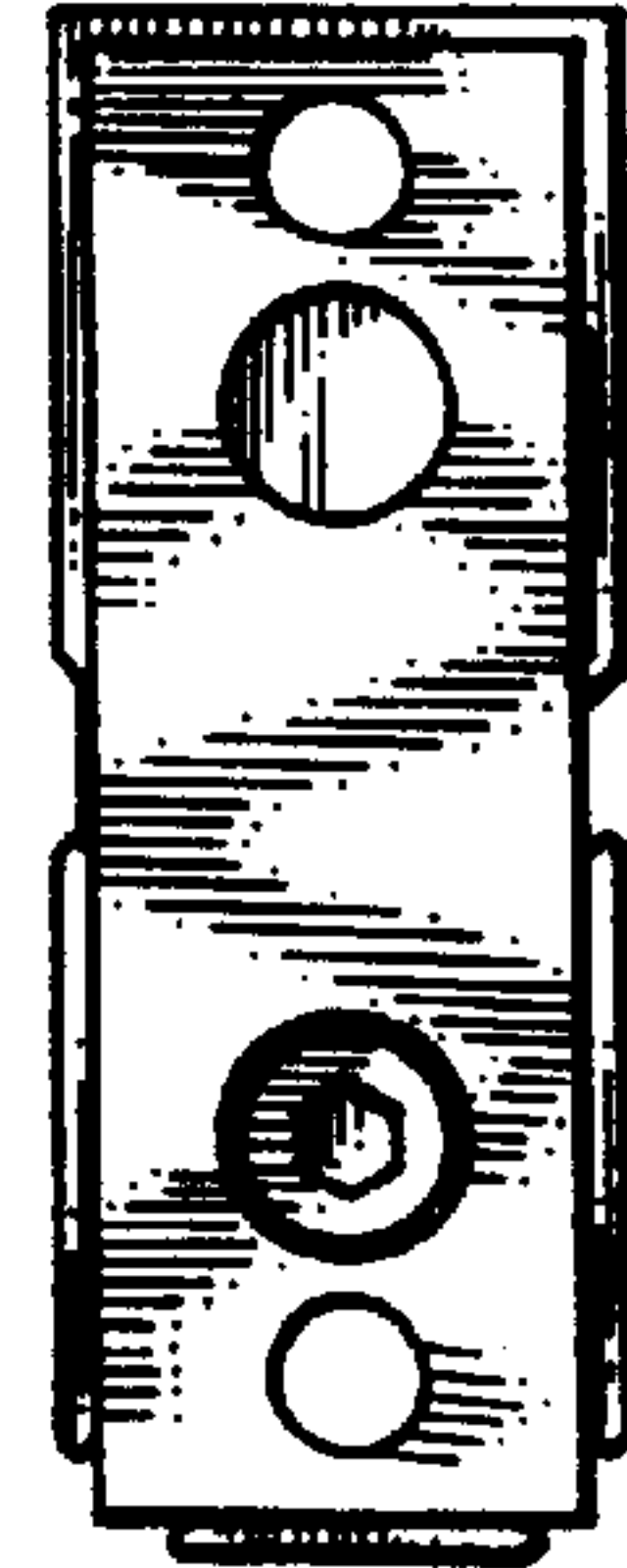


FIG. 4

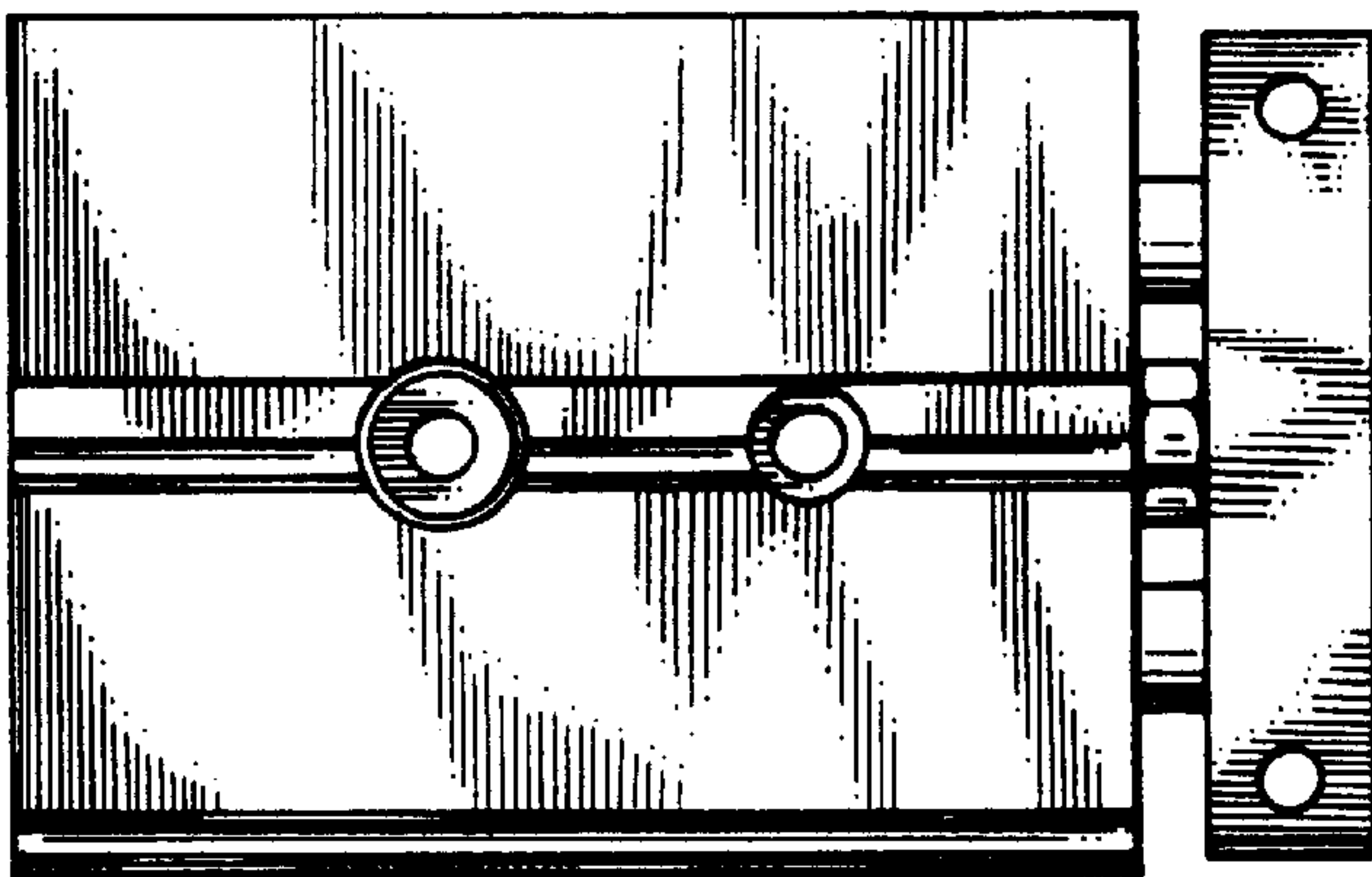


FIG. 8

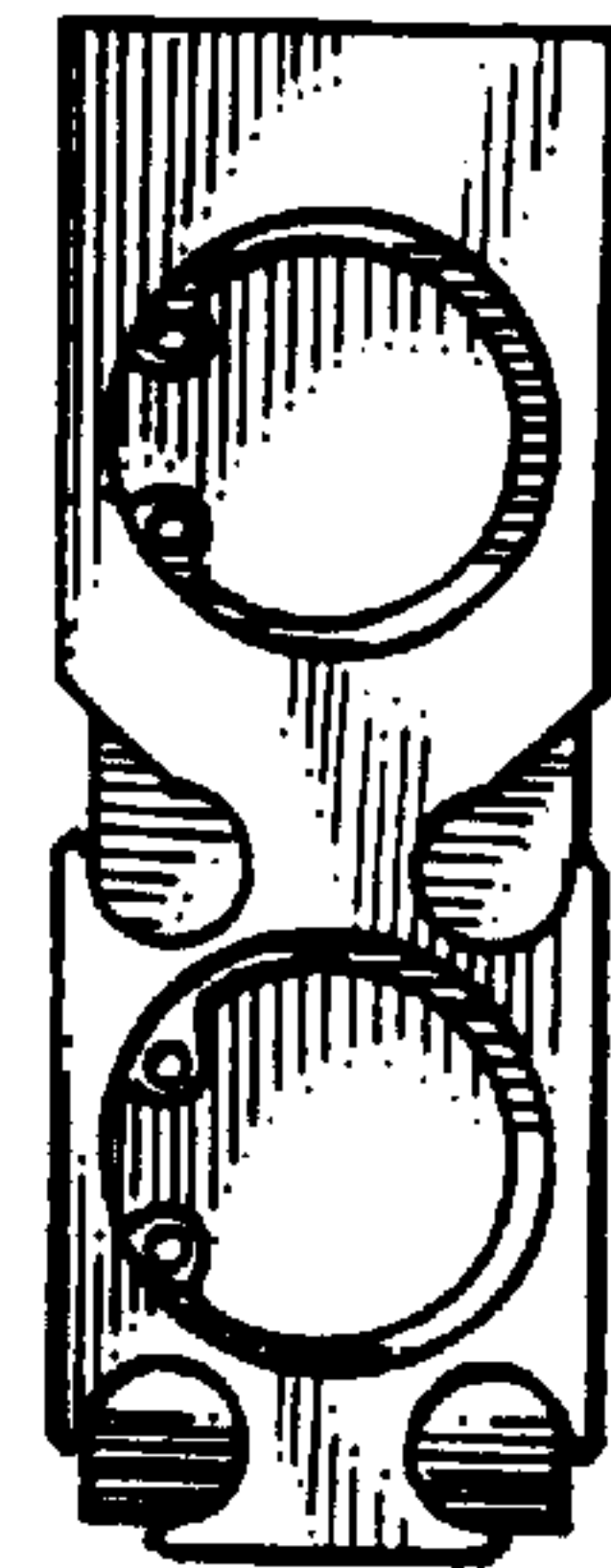


FIG. 5

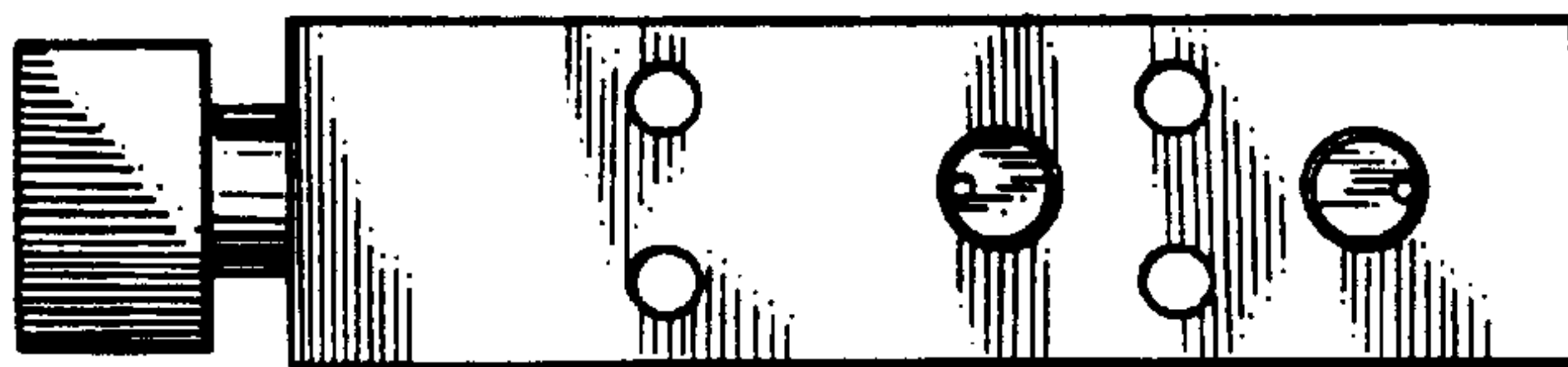


FIG. 6

