



US00D444783S

(12) **United States Design Patent**  
**Lord**

(10) **Patent No.:** **US D444,783 S**

(45) **Date of Patent:** **\*\* Jul. 10, 2001**

(54) **COMPUTER HOUSING WITH FRONT DOORS OPEN**

D. 344,932 \* 3/1994 Berkowitz et al. .... D14/351  
D. 345,148 \* 3/1994 Hong ..... D14/349  
D. 396,216 \* 7/1998 Chen et al. .... D14/352

(75) Inventor: **Charles Lord, Scottsdale, AZ (US)**

\* cited by examiner

(73) Assignee: **Mobility Electronics, Inc., Scottsdale, AZ (US)**

*Primary Examiner*—Freda Nunn

(74) *Attorney, Agent, or Firm*—Jackson Walker, LLP

(\* ) Notice: This patent is subject to a terminal disclaimer.

(57) **CLAIM**

(\*\*) Term: **14 Years**

The ornamental design for a computer housing with front doors open, as shown and described.

(21) Appl. No.: **29/123,573**

**DESCRIPTION**

(22) Filed: **May 19, 2000**

FIG. 1 is a top front and right side perspective view of a computer housing with front doors open showing my new design;

(51) **LOC (7) Cl.** ..... **14-02**

FIG. 2 is a front elevational view thereof;

(52) **U.S. Cl.** ..... **D14/351**

FIG. 3 is a right side elevational view thereof, the left side being a mirror thereof;

(58) **Field of Search** ..... D14/308, 349, D14/351, 352; D13/162, 184, 199; 312/223.2, 223.3; 360/99.12; 361/694, 696, 679; 369/34, 36

FIG. 4 is a top plan view thereof;

FIG. 5 is a rear elevational view thereof;

FIG. 6 is a top, rear and right side perspective view thereof; and,

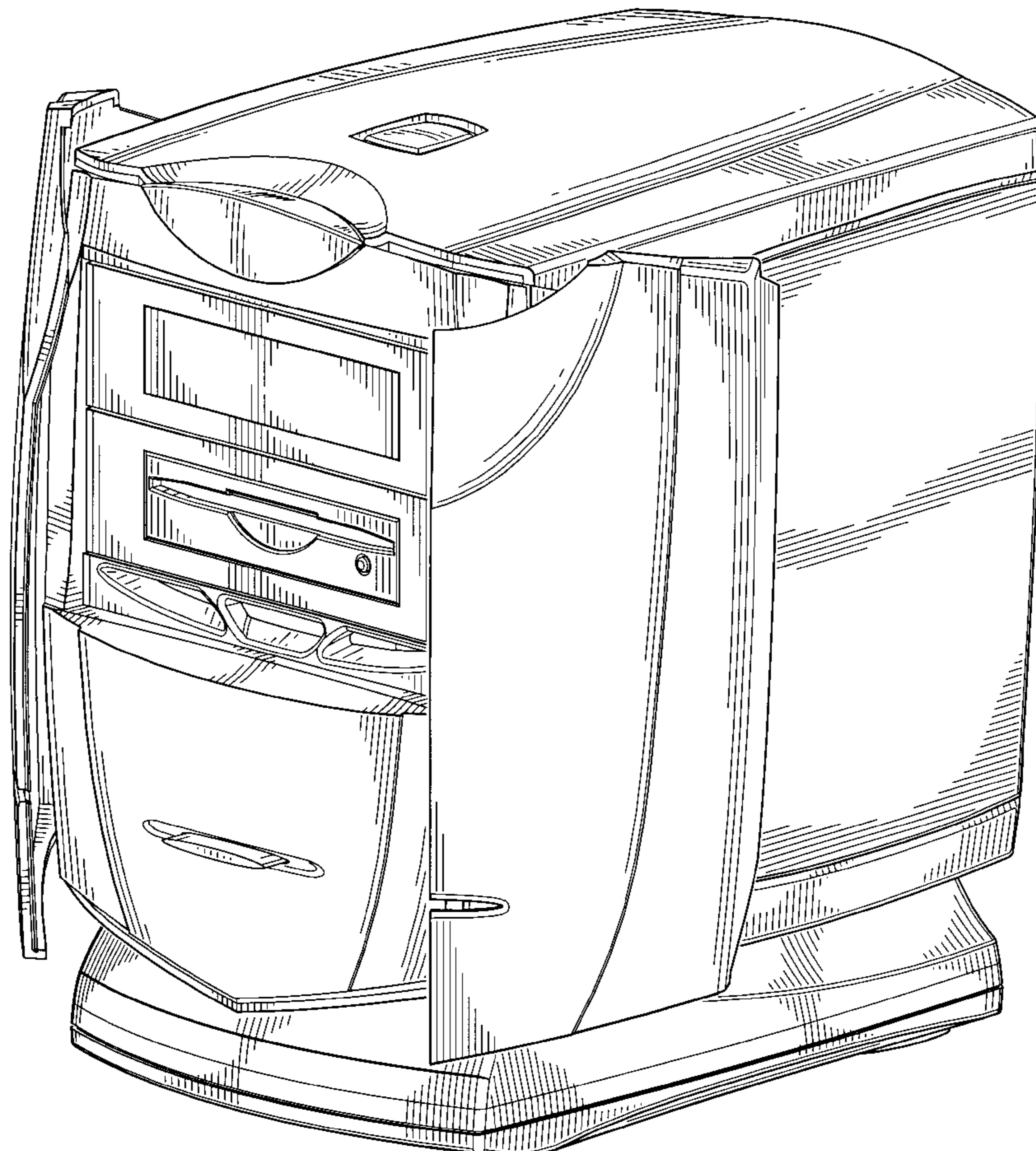
FIG. 7 is a bottom plan view thereof.

(56) **References Cited**

**U.S. PATENT DOCUMENTS**

D. 324,377 \* 3/1992 Yurkonis et al. .... D14/351

**1 Claim, 7 Drawing Sheets**



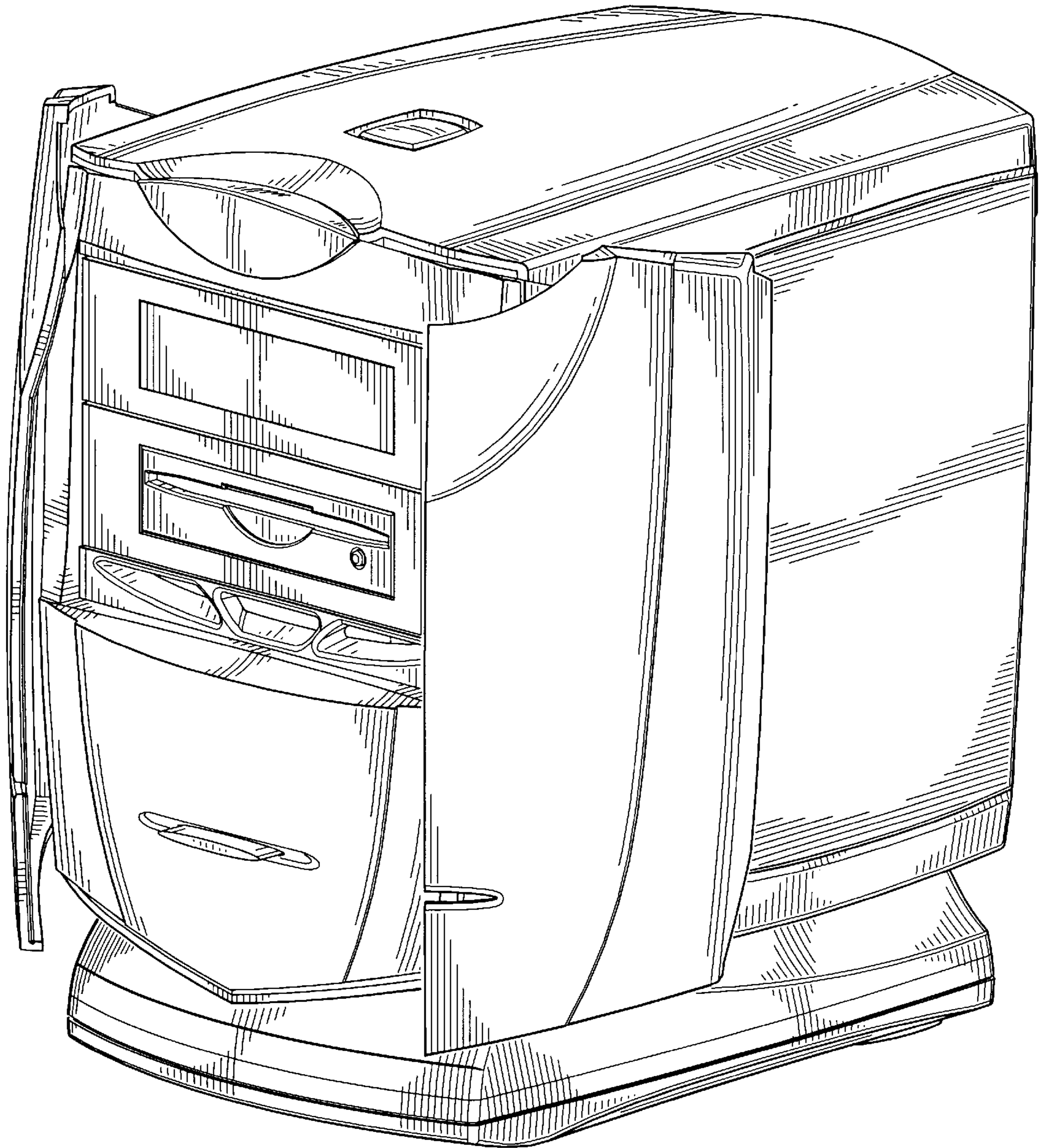


FIG. 1

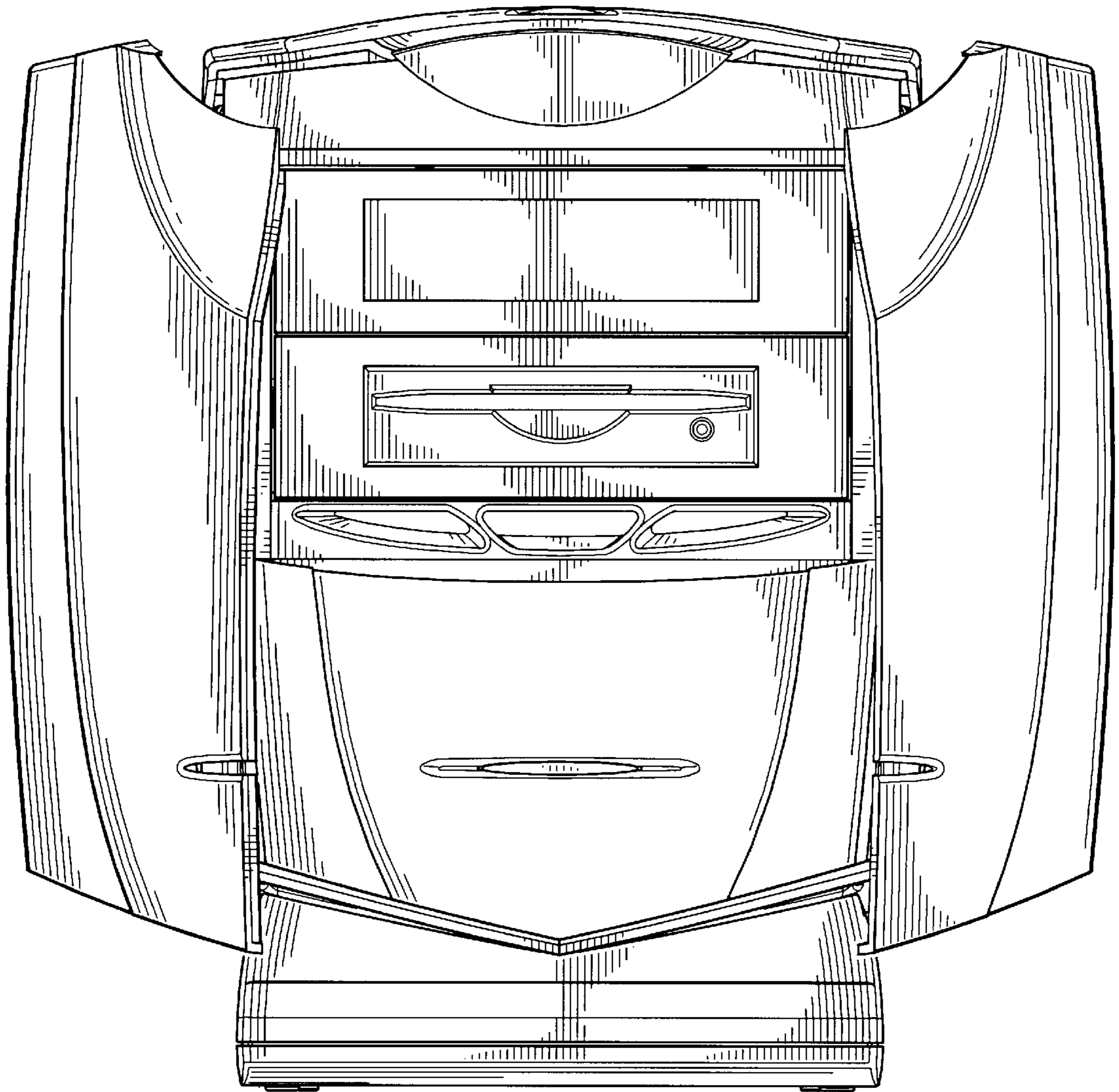


FIG. 2

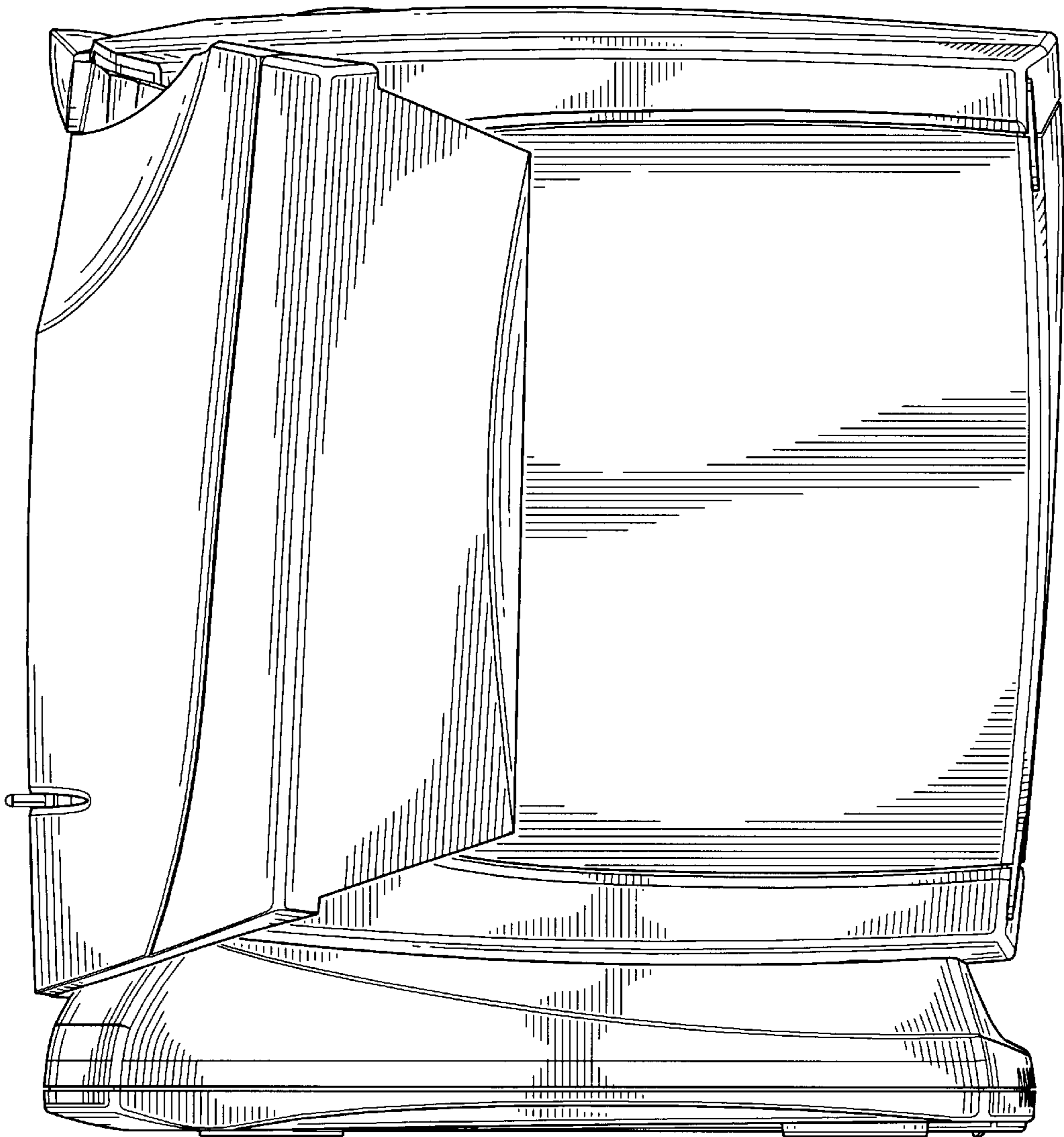


FIG. 3

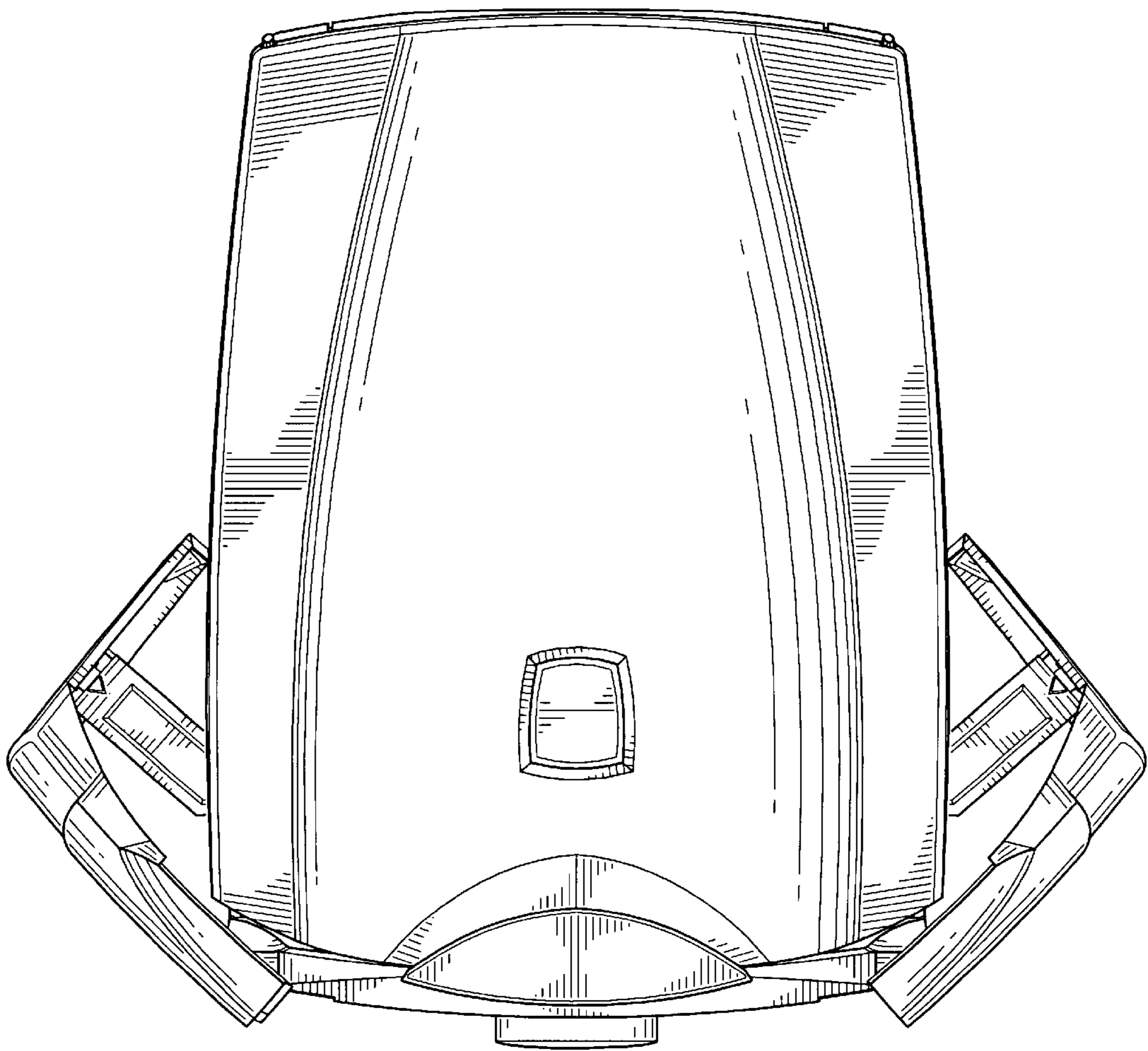


FIG. 4

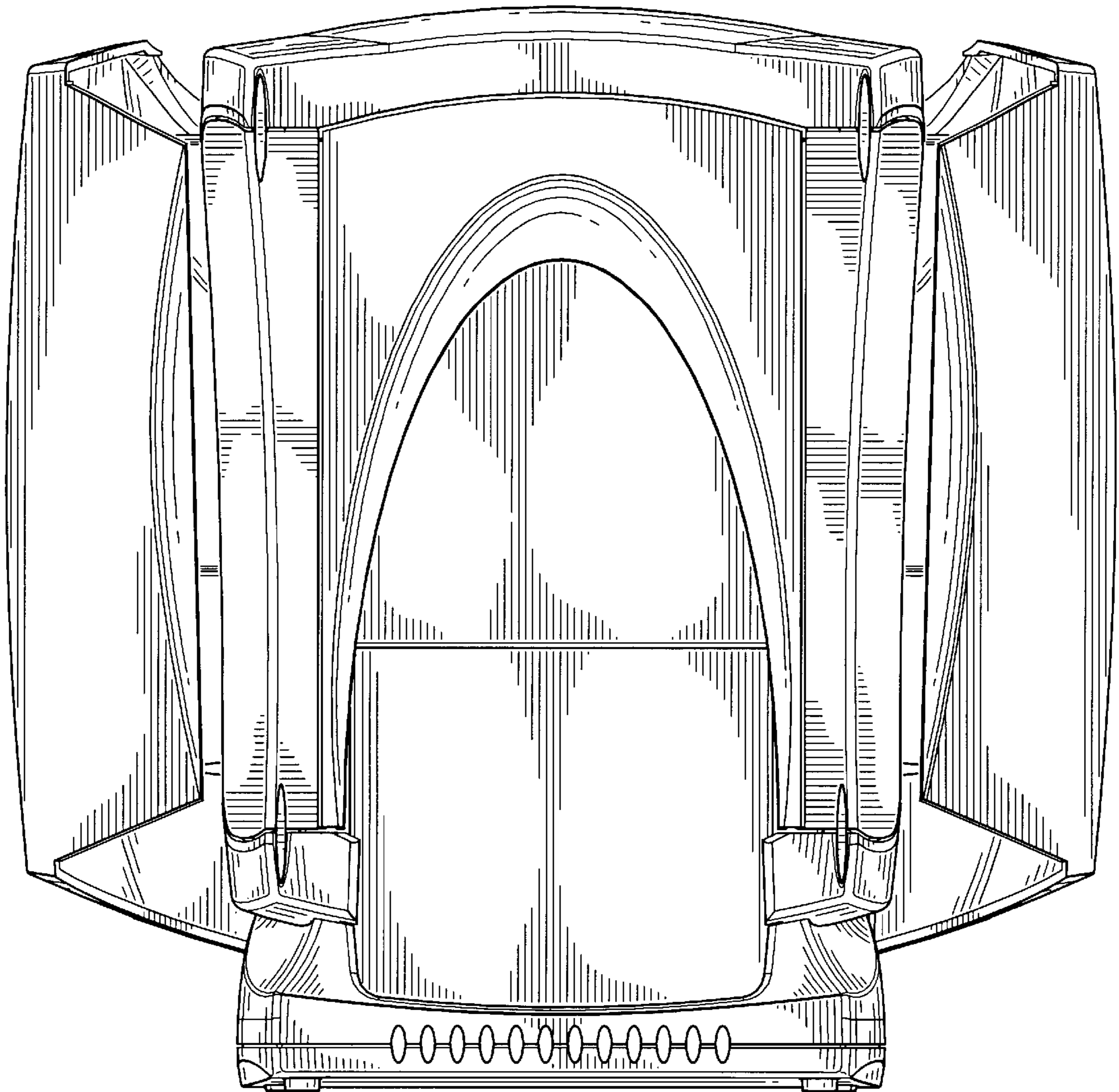


FIG. 5

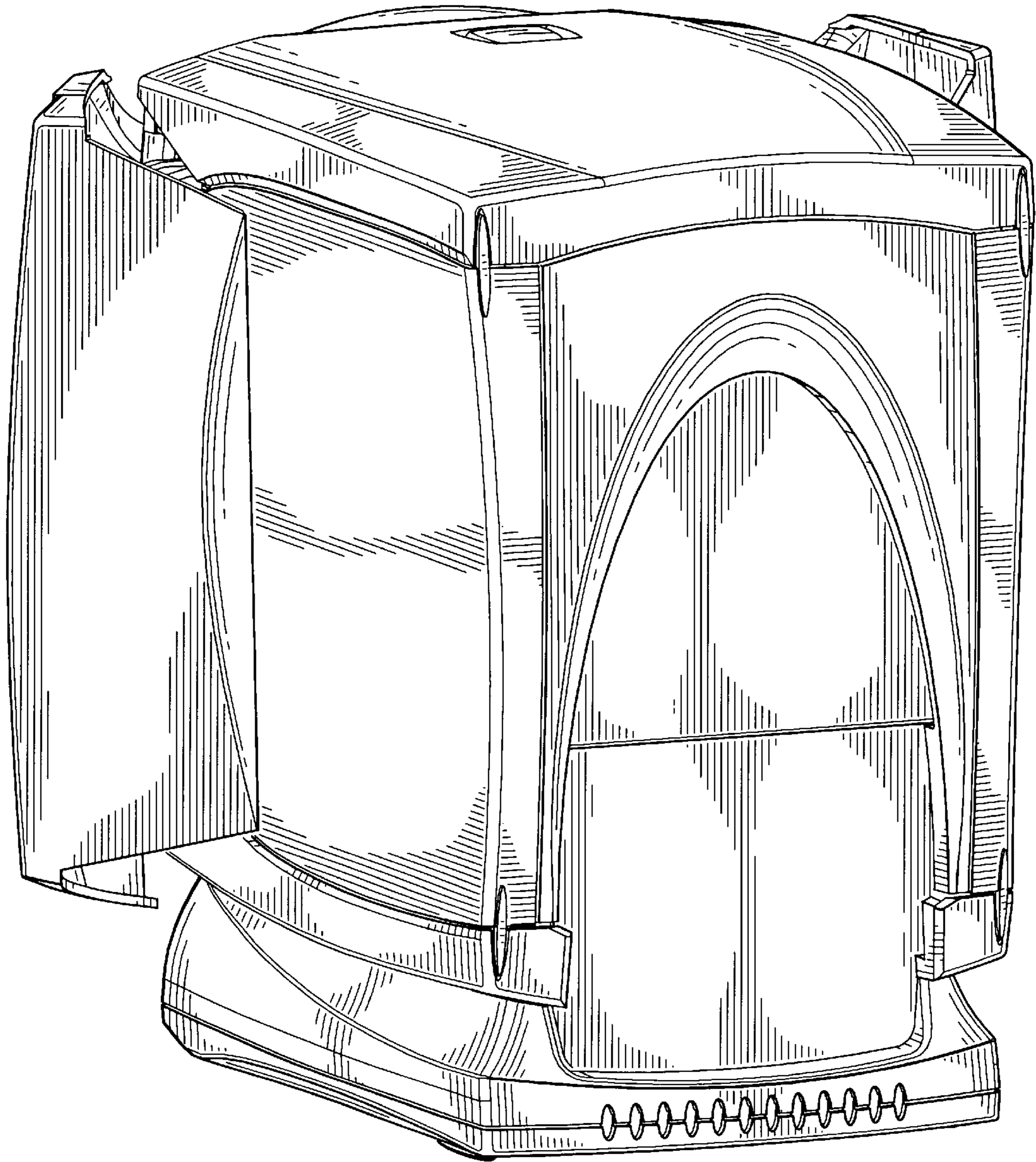


FIG. 6

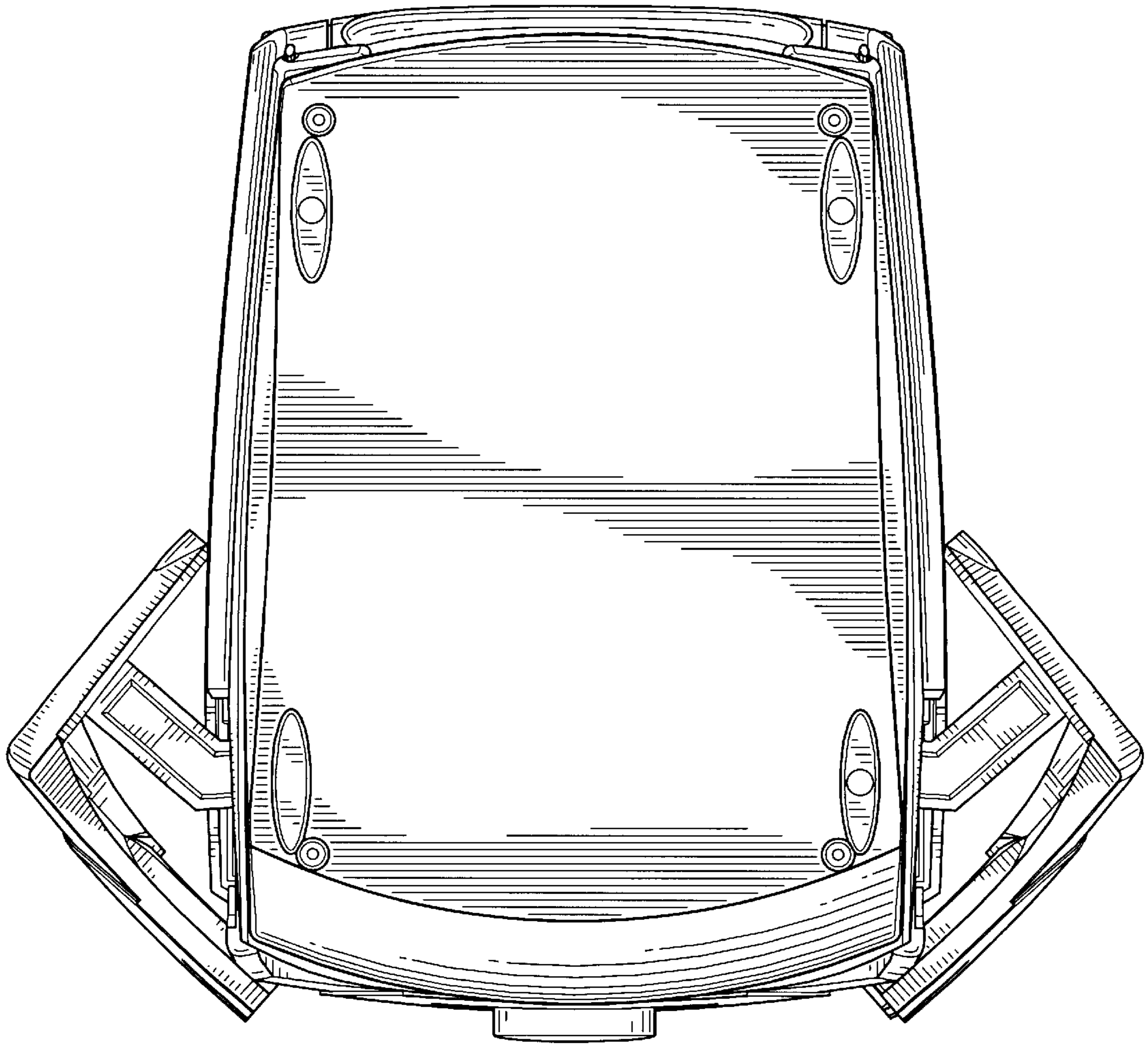


FIG. 7