



US00D444781S

(12) **United States Design Patent**
McGurty

(10) **Patent No.:** **US D444,781 S**

(45) **Date of Patent:** **** Jul. 10, 2001**

(54) **SUB-WOOFER SPEAKER**

(75) **Inventor:** **Howard J. McGurty**, DeMossville, KY (US)

(73) **Assignee:** **Phantom Sound, Inc.**, West Chester, OH (US)

(**) **Term:** **14 Years**

(21) **Appl. No.:** **29/128,724**

(22) **Filed:** **Aug. 30, 2000**

(51) **LOC (7) Cl.** **14-01**

(52) **U.S. Cl.** **D14/215; D14/216**

(58) **Field of Search** D14/204, 207, D14/210-216; 181/144-145, 147-148, 150, 153, 198-199; 381/300-302, 307, 332-336, 386

(56) **References Cited**

U.S. PATENT DOCUMENTS

- D. 223,255 * 4/1972 Boldt et al. D14/212
- D. 247,490 * 3/1978 Everidge D14/212
- D. 277,853 * 3/1985 Thomas D14/212

- D. 364,165 * 11/1995 Esslinger D14/216 X
- 4,334,211 * 6/1982 McConnell et al. 181/198

* cited by examiner

Primary Examiner—Nanda Bondade

(74) *Attorney, Agent, or Firm*—Davidson & Gribbell, LLP

(57) **CLAIM**

The ornamental design for a sub-woofer speaker, as shown and described.

DESCRIPTION

FIG. 1 is a bottom front side perspective view of a sub-woofer speaker, showing my new design.

FIG. 2 is a front, elevational view thereof.

FIG. 3 is a rear, elevational view thereof.

FIG. 4 is a right-hand side, elevational view thereof.

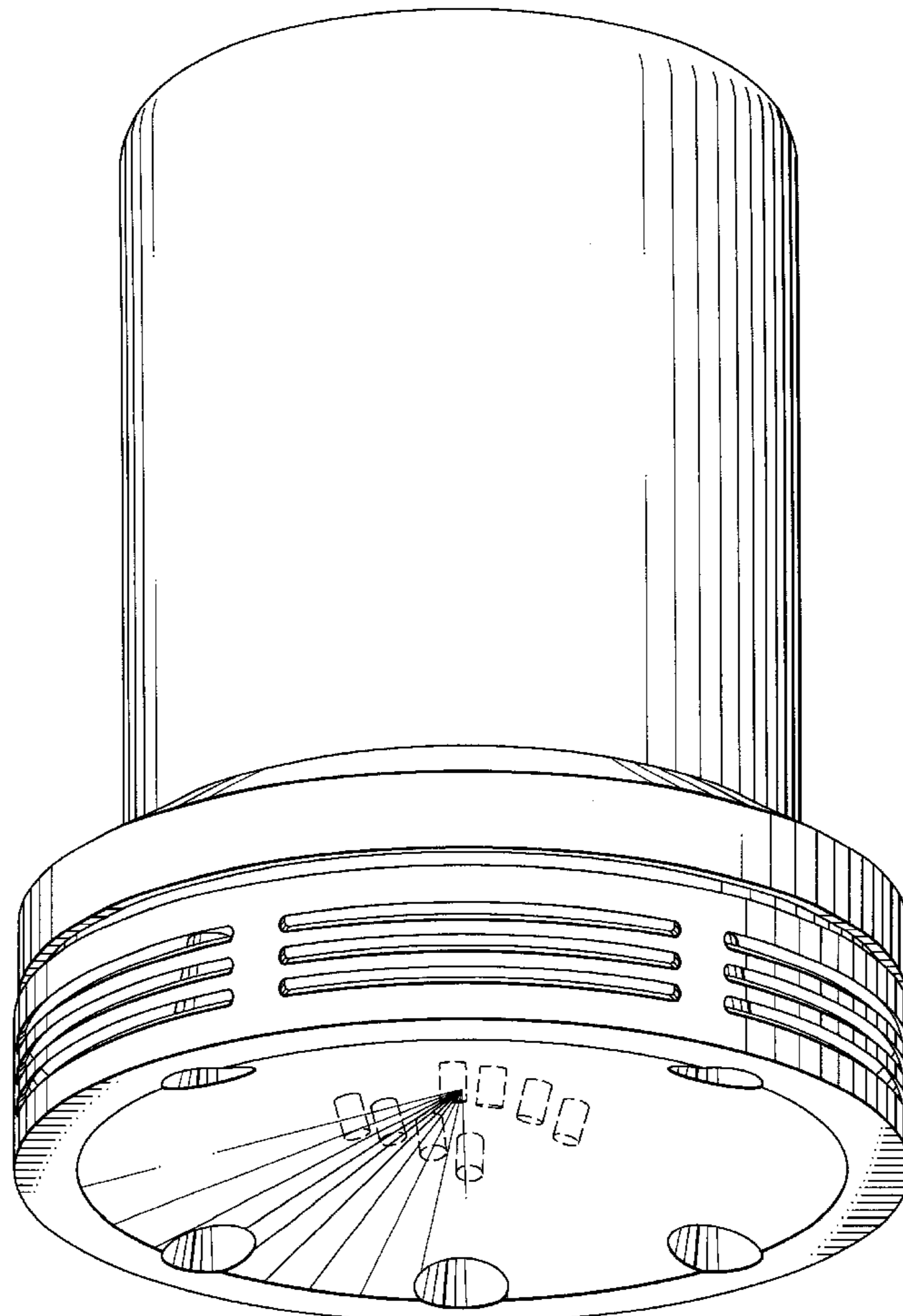
FIG. 5 is a top, plan view thereof; and,

FIG. 6 is a bottom view thereof.

Note that the left-hand side, elevational view (not shown) is a mirror image of FIG. 4.

The broken lines in the drawings represent electrical terminal blocks, which are for illustrative purposes only, and form no part of the claimed design.

1 Claim, 6 Drawing Sheets



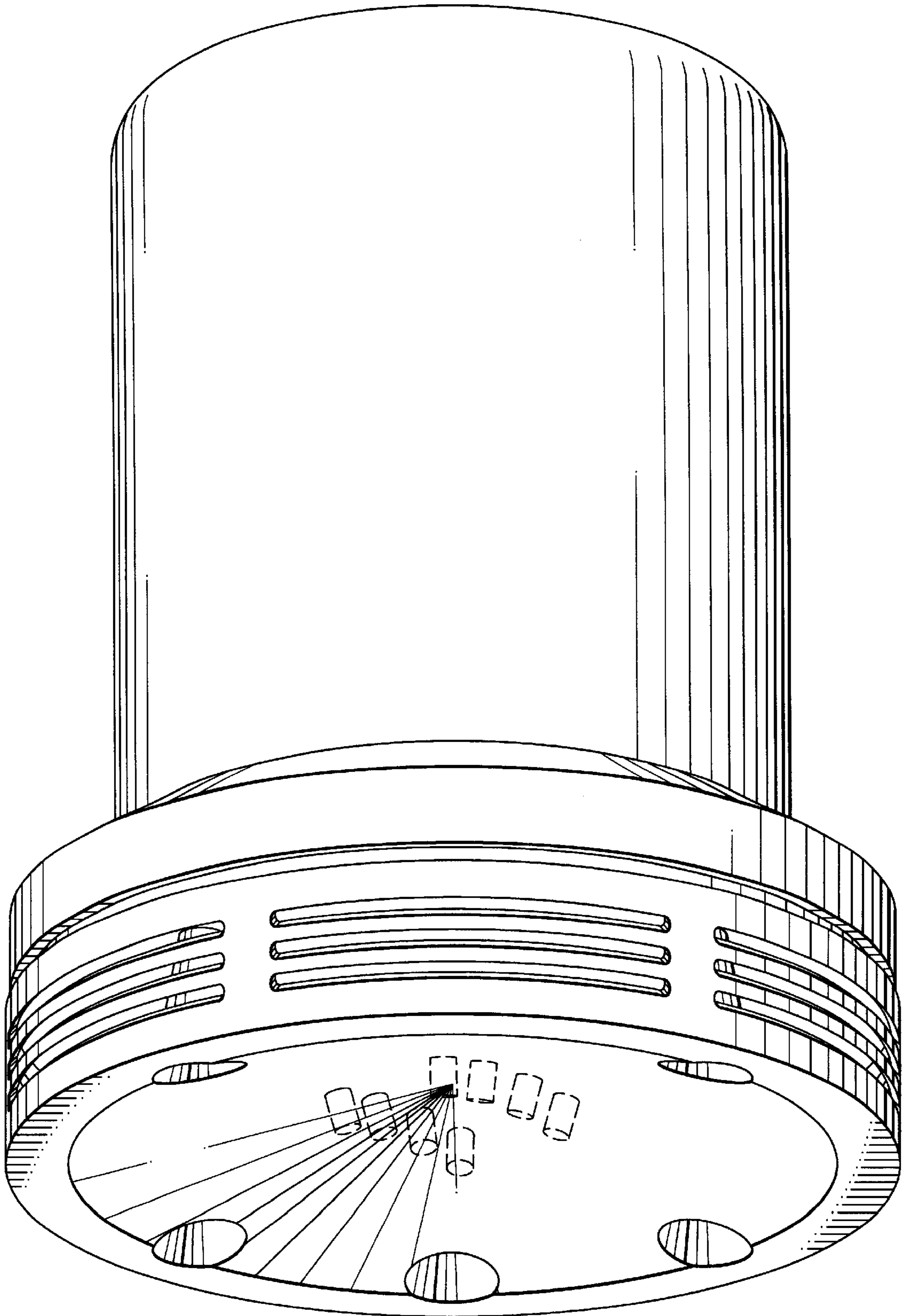


FIG. 1

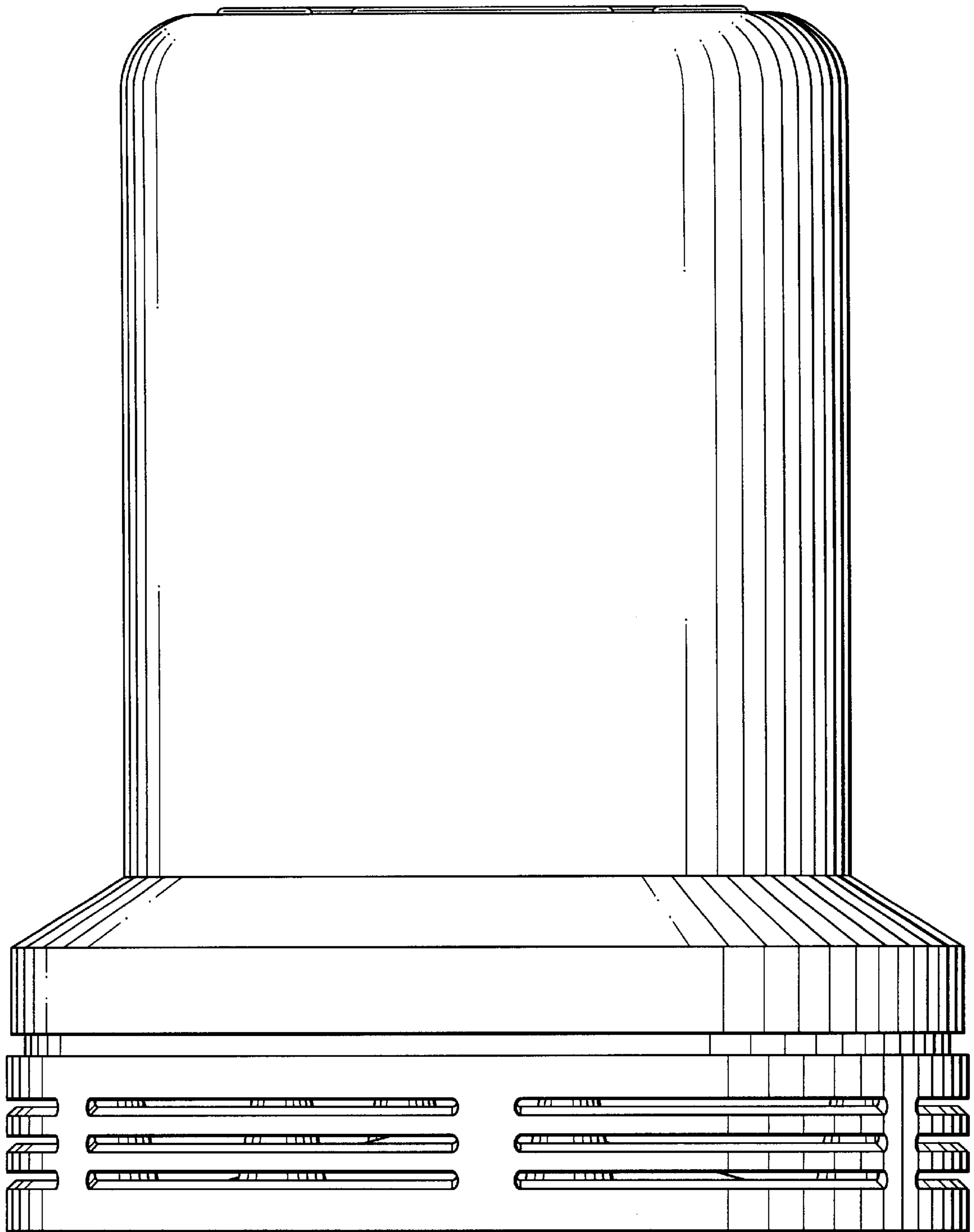


FIG. 2

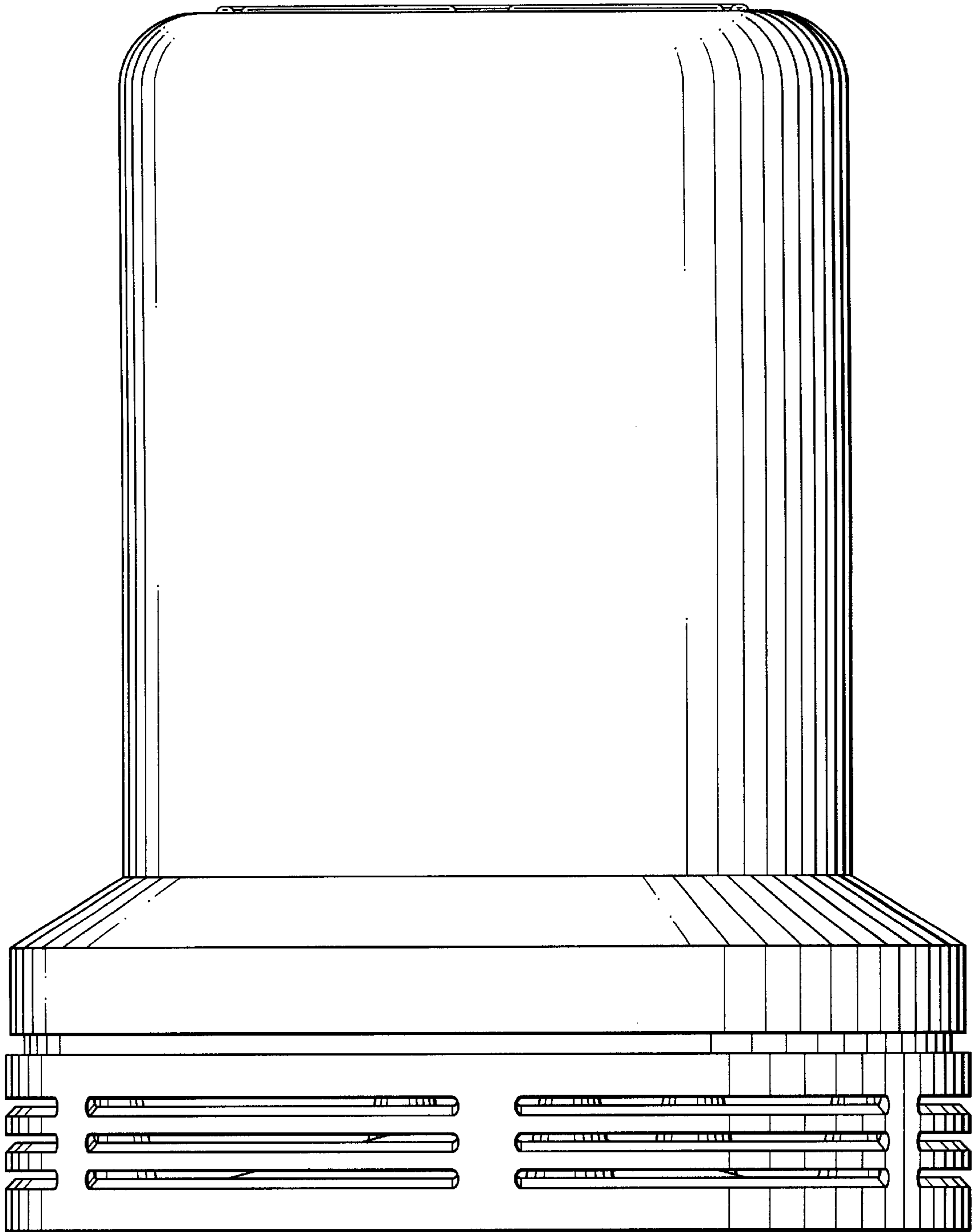


FIG. 3

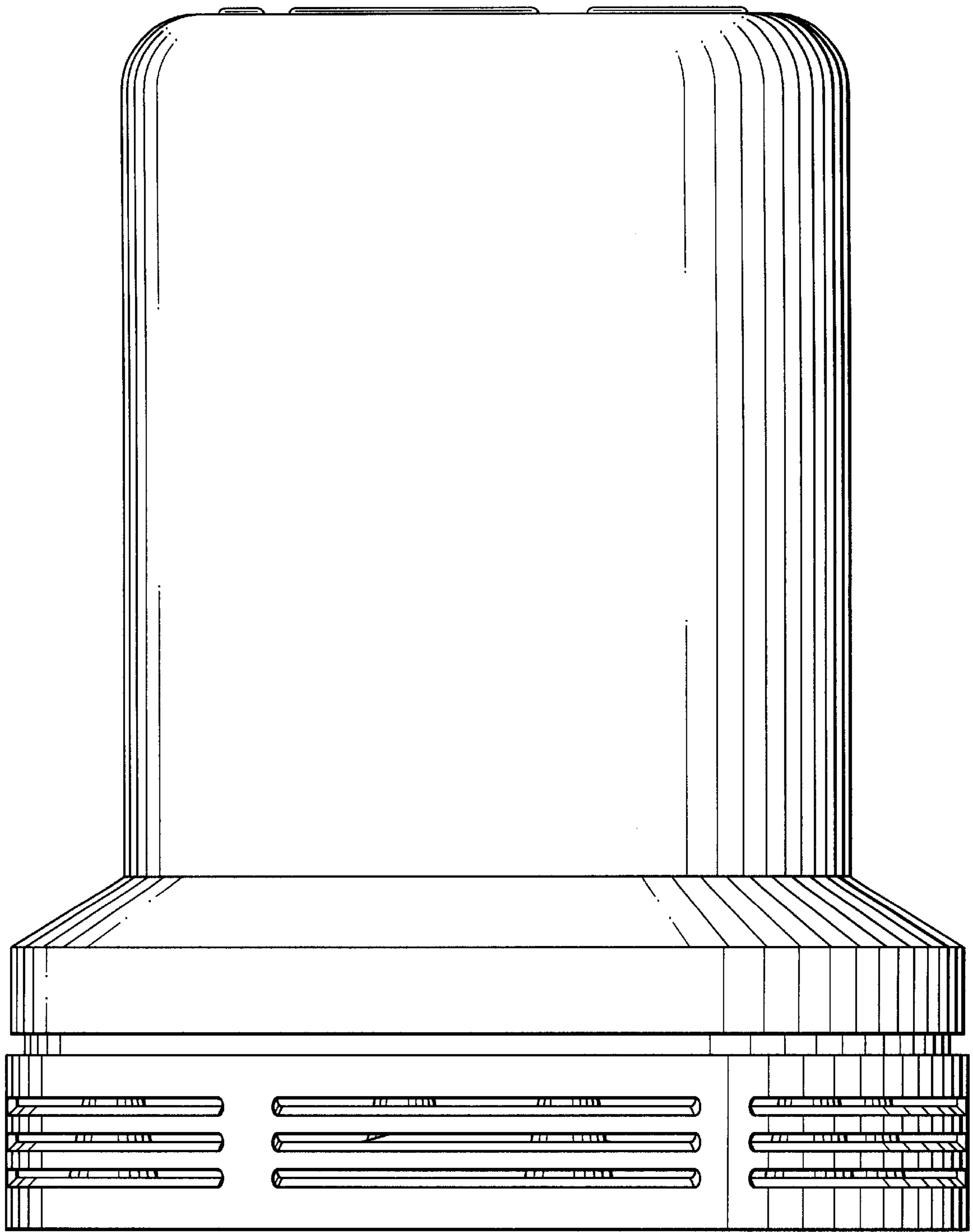


FIG. 4

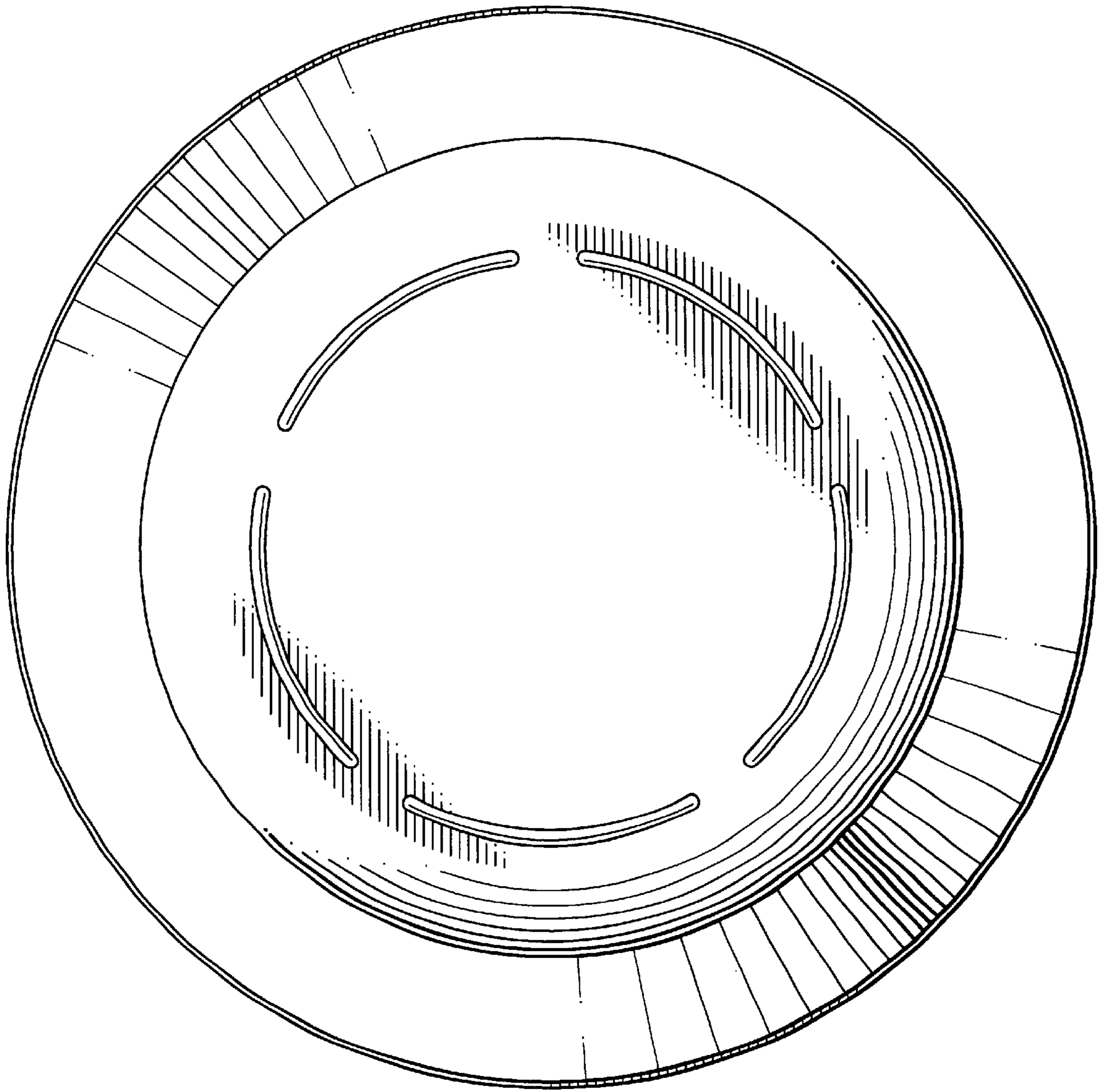


FIG. 5

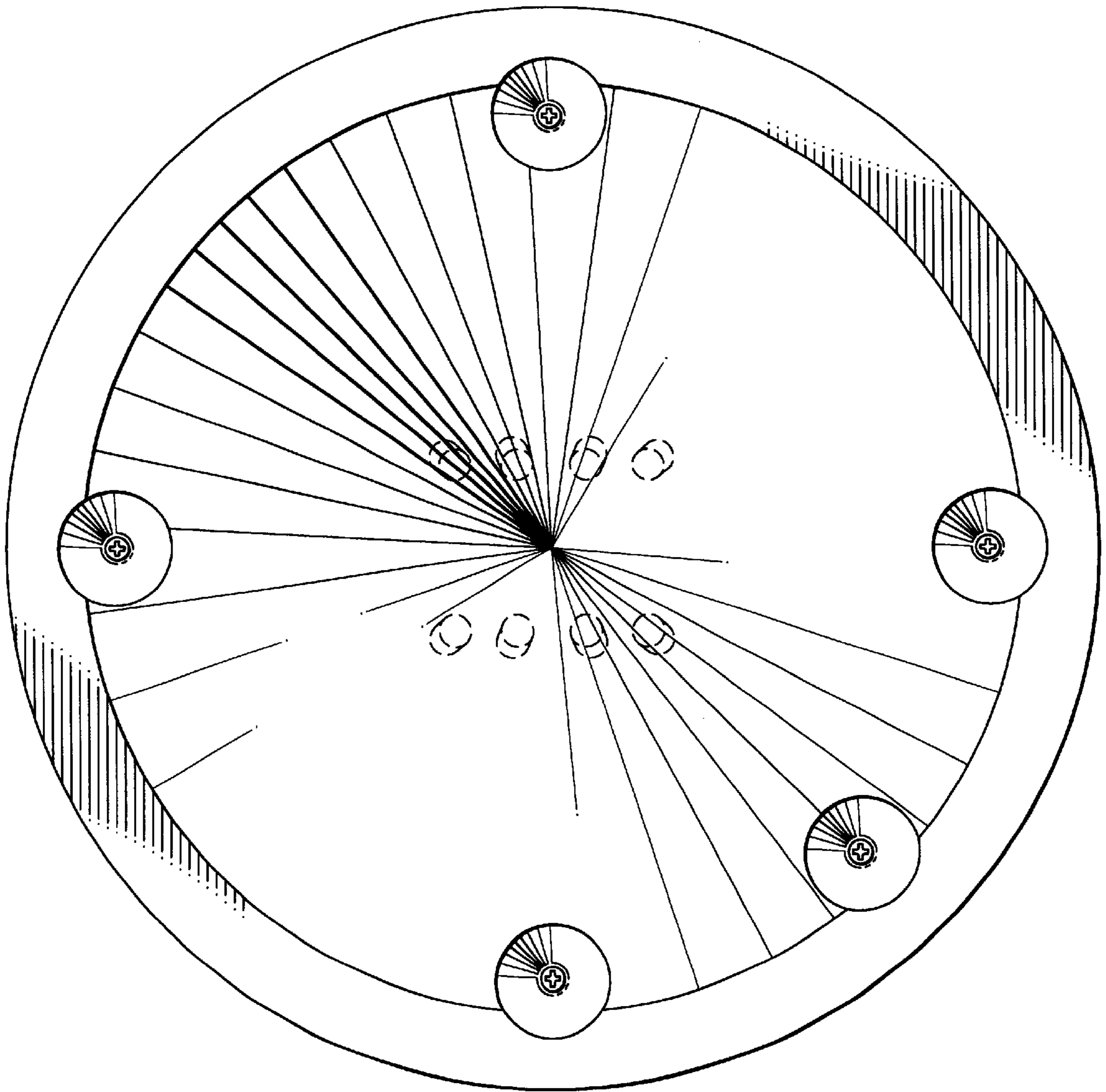


FIG. 6