



US00D444779S

(12) **United States Design Patent**
Hin

(10) **Patent No.:** **US D444,779 S**

(45) **Date of Patent:** **** Jul. 10, 2001**

(54) **RADIO UNIT FOR A MOBILE PHONE**

D. 389,480 * 1/1998 Niitsu D14/188 X
D. 403,320 * 12/1998 Niitsu D14/188 X

(75) Inventor: **Theodoor René Maria Hin**, Emmen (NL)

* cited by examiner

(73) Assignee: **Telefonaktiebolaget LM Ericsson (publ)**, Stockholm (SE)

Primary Examiner—Nanda Bondade

(74) *Attorney, Agent, or Firm*—Burns, Doane, Swecker & Mathis, L.L.P.

(**) Term: **14 Years**

(57) **CLAIM**

(21) Appl. No.: **29/121,128**

The ornamental design for a radio unit for a mobile phone, as shown and described.

(22) Filed: **Apr. 4, 2000**

(30) **Foreign Application Priority Data**

Oct. 4, 1999 (SE) 99-1772

DESCRIPTION

(51) **LOC (7) Cl.** **14-03**

FIG. 1 is a front, top perspective view of a radio unit for a mobile phone showing my new design;
FIG. 2 is a front, bottom perspective view thereof;
FIG. 3 is a top elevational view thereof;
FIG. 4 is a bottom elevational view thereon;
FIG. 5 is a front elevational view thereof;
FIG. 6 is a rear elevational view thereof;
FIG. 7 is a right side elevational view thereof; and,
FIG. 8 is a left side elevational view thereof.
The broken line showing is for illustrational purposes only and forms no part of the claimed design.

(52) **U.S. Cl.** **D14/188**

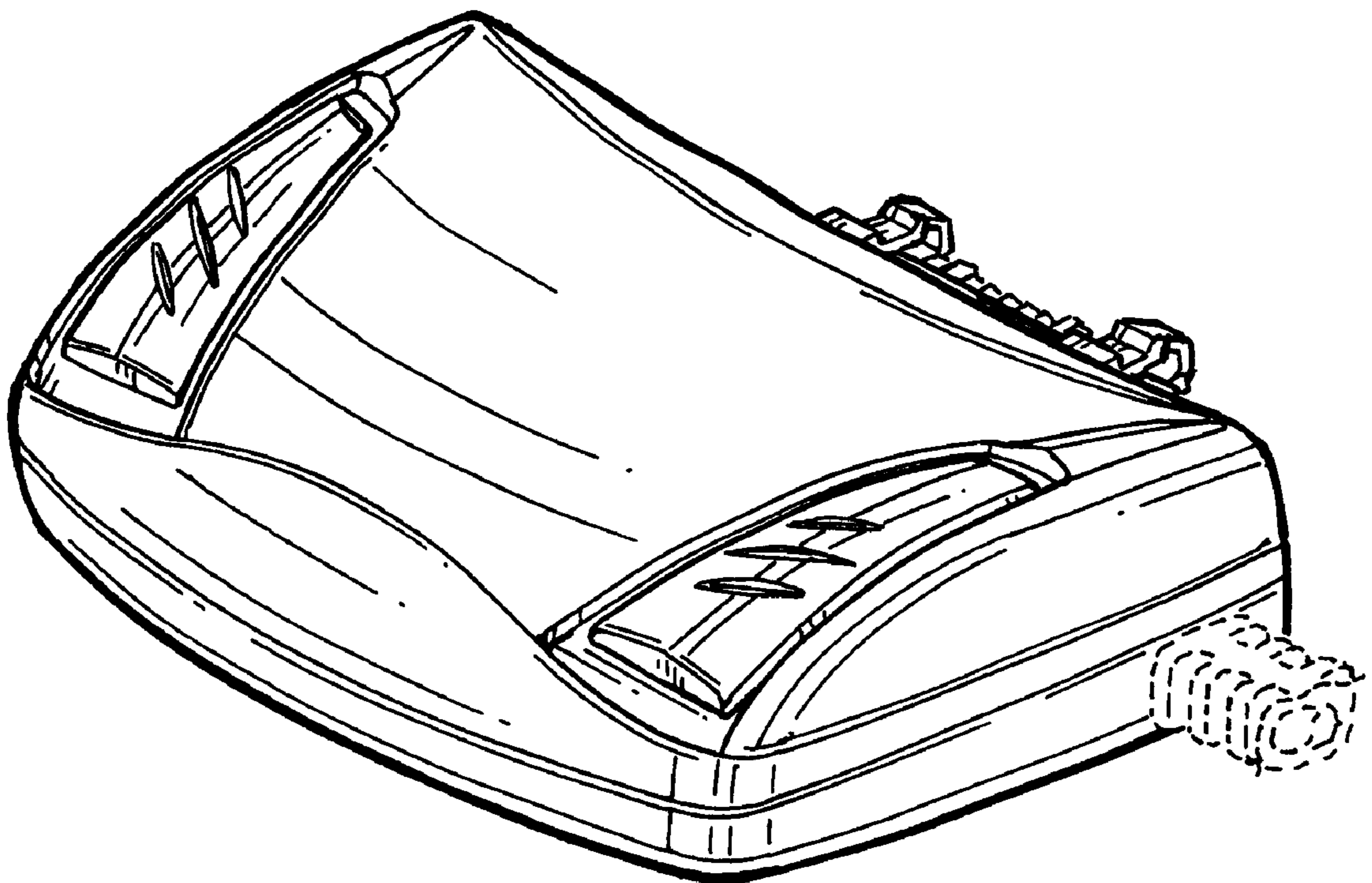
(58) **Field of Search** D14/155, 167, D14/168, 188, 193-198, 217, 299; 455/344, 347, 350, 351

(56) **References Cited**

U.S. PATENT DOCUMENTS

D. 272,824 * 2/1984 McGourty D14/198
D. 379,476 * 5/1997 Tsui D14/168 X

1 Claim, 3 Drawing Sheets



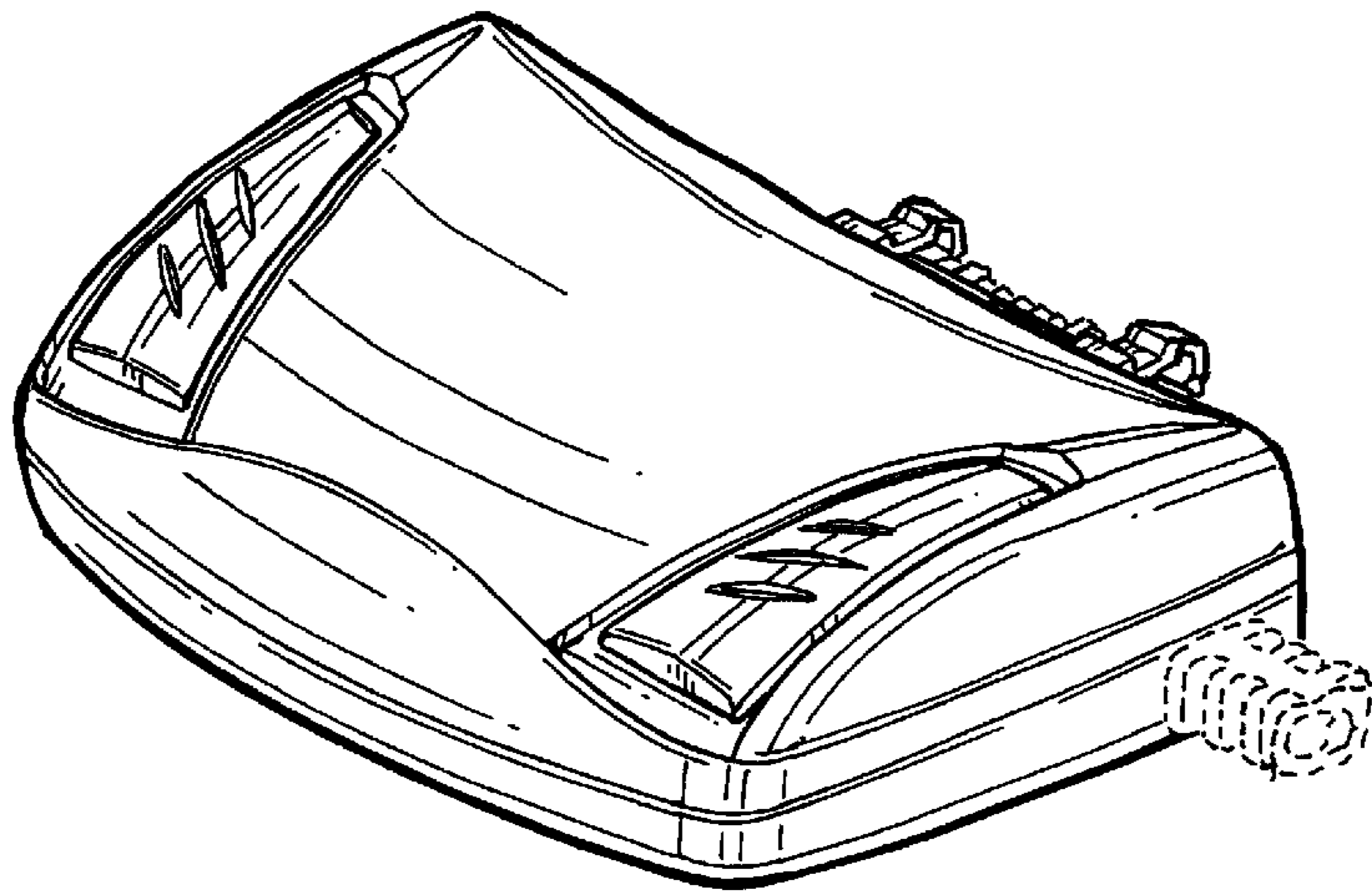


FIG. 1

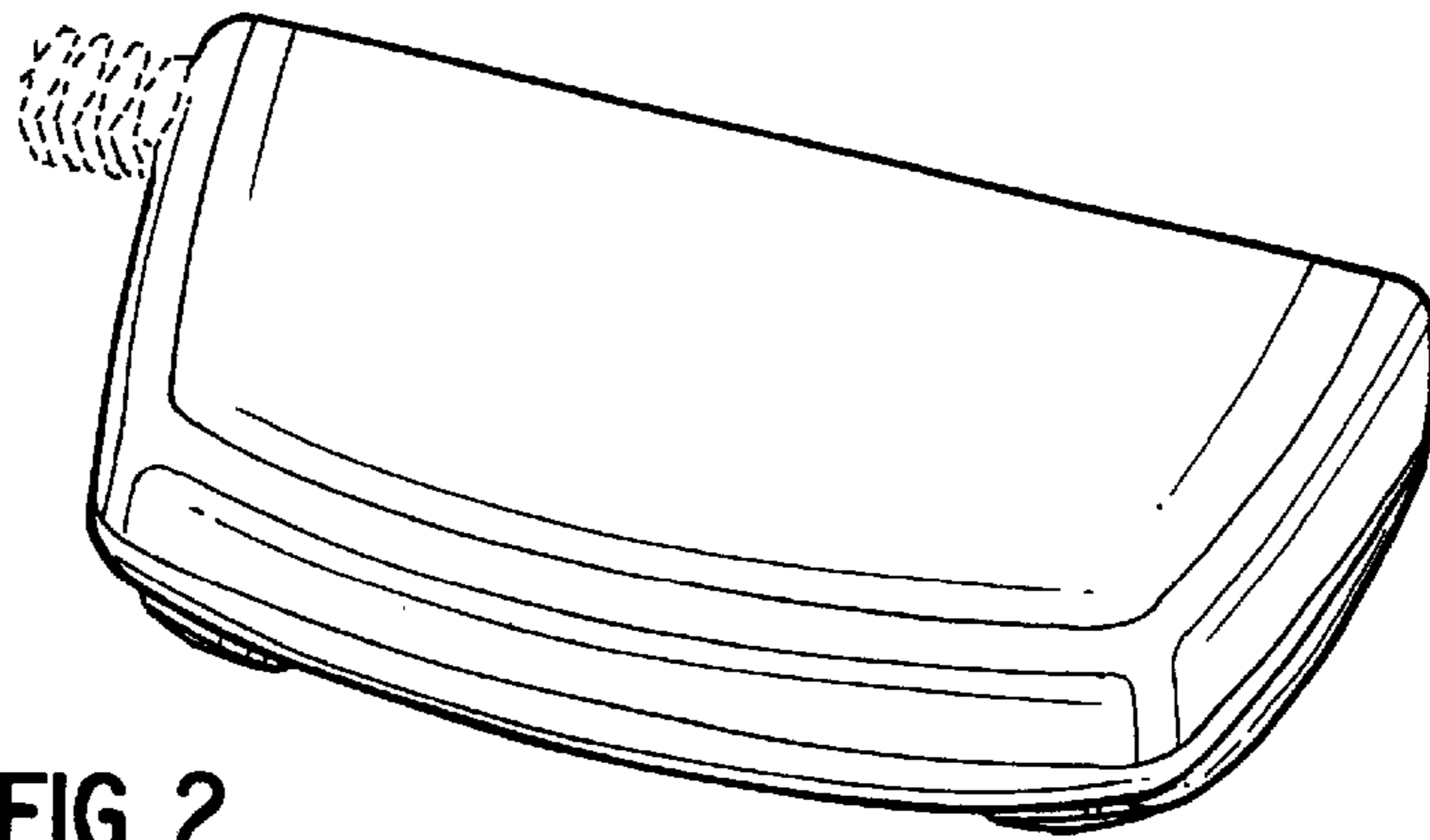


FIG. 2

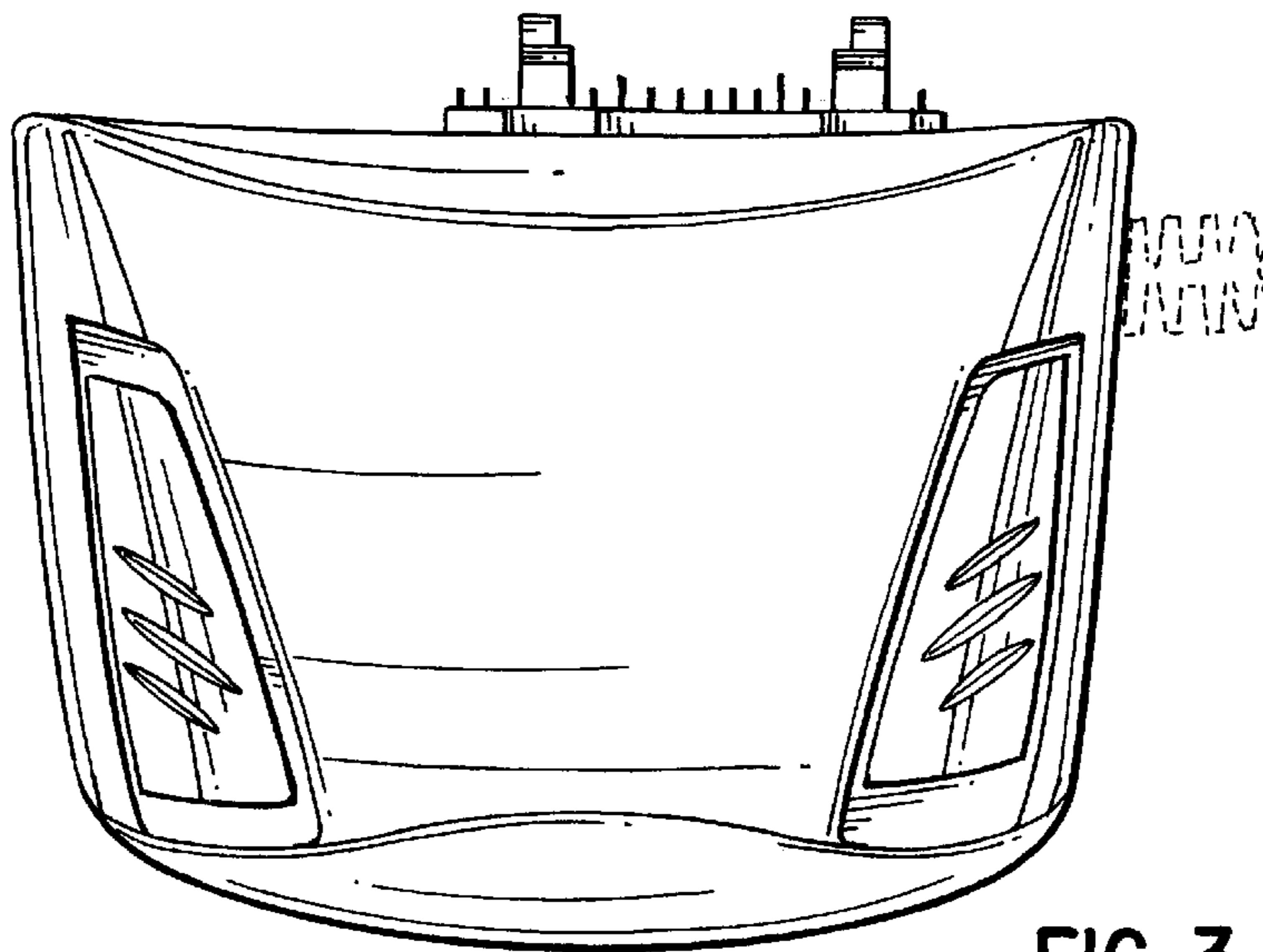


FIG. 3

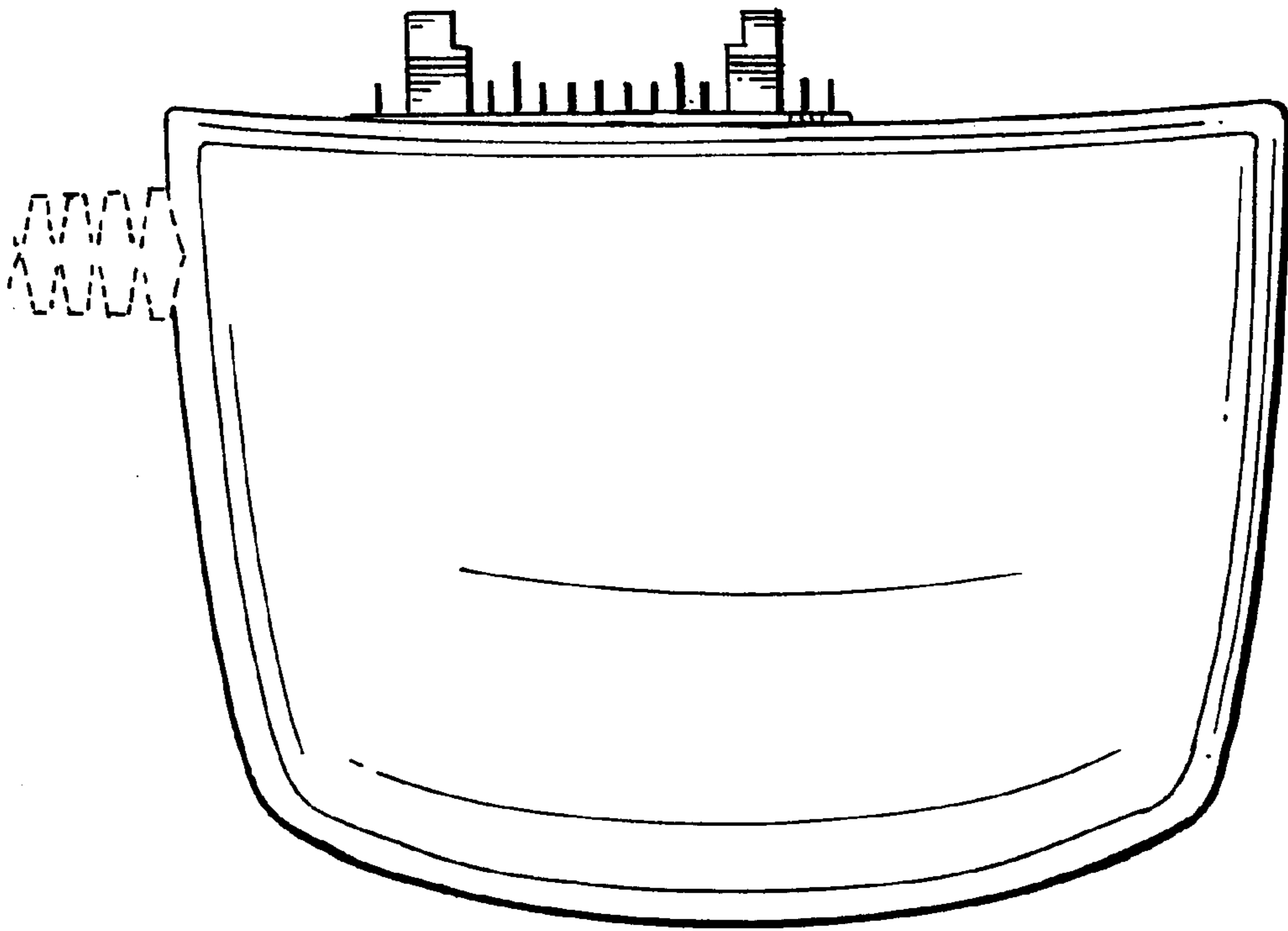


FIG. 4

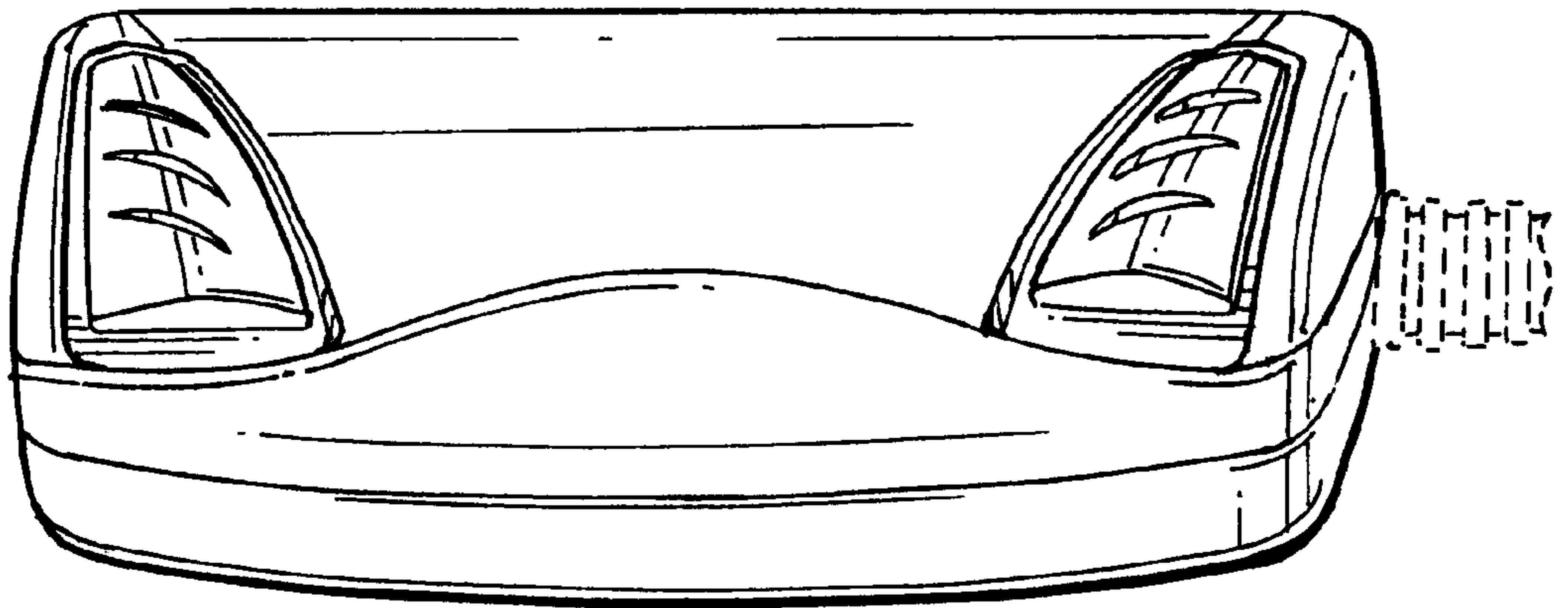


FIG. 5

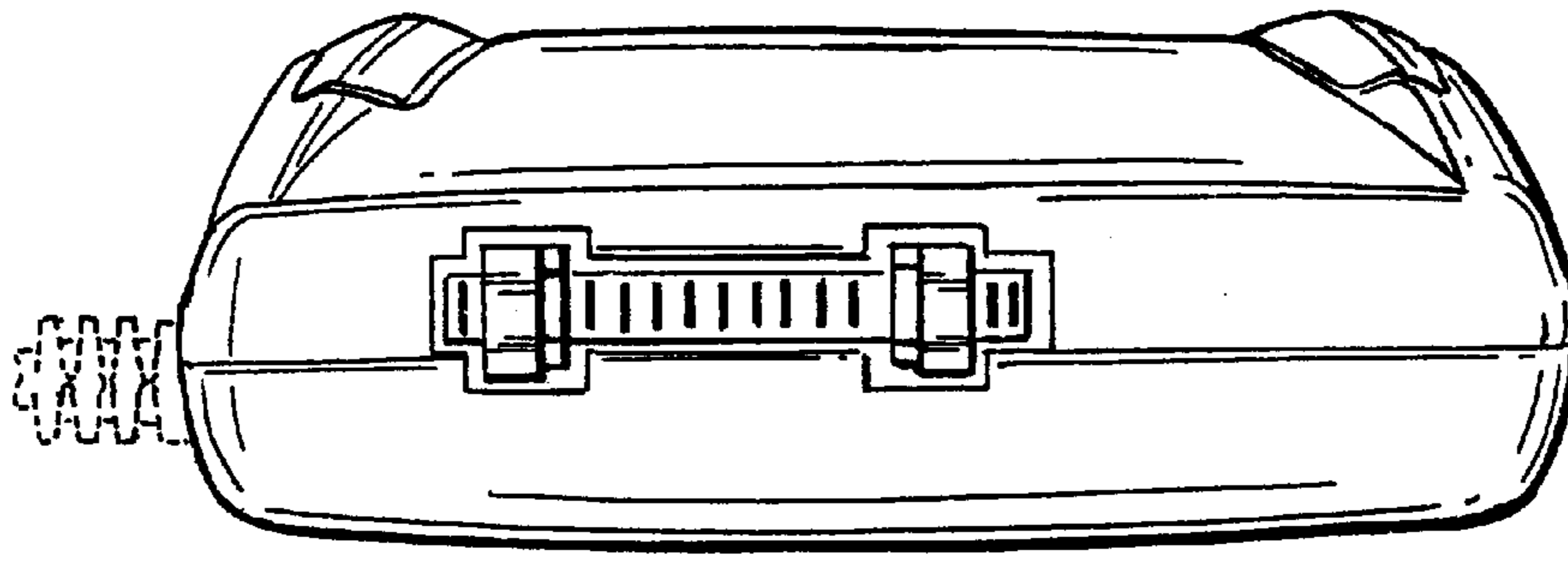


FIG. 6

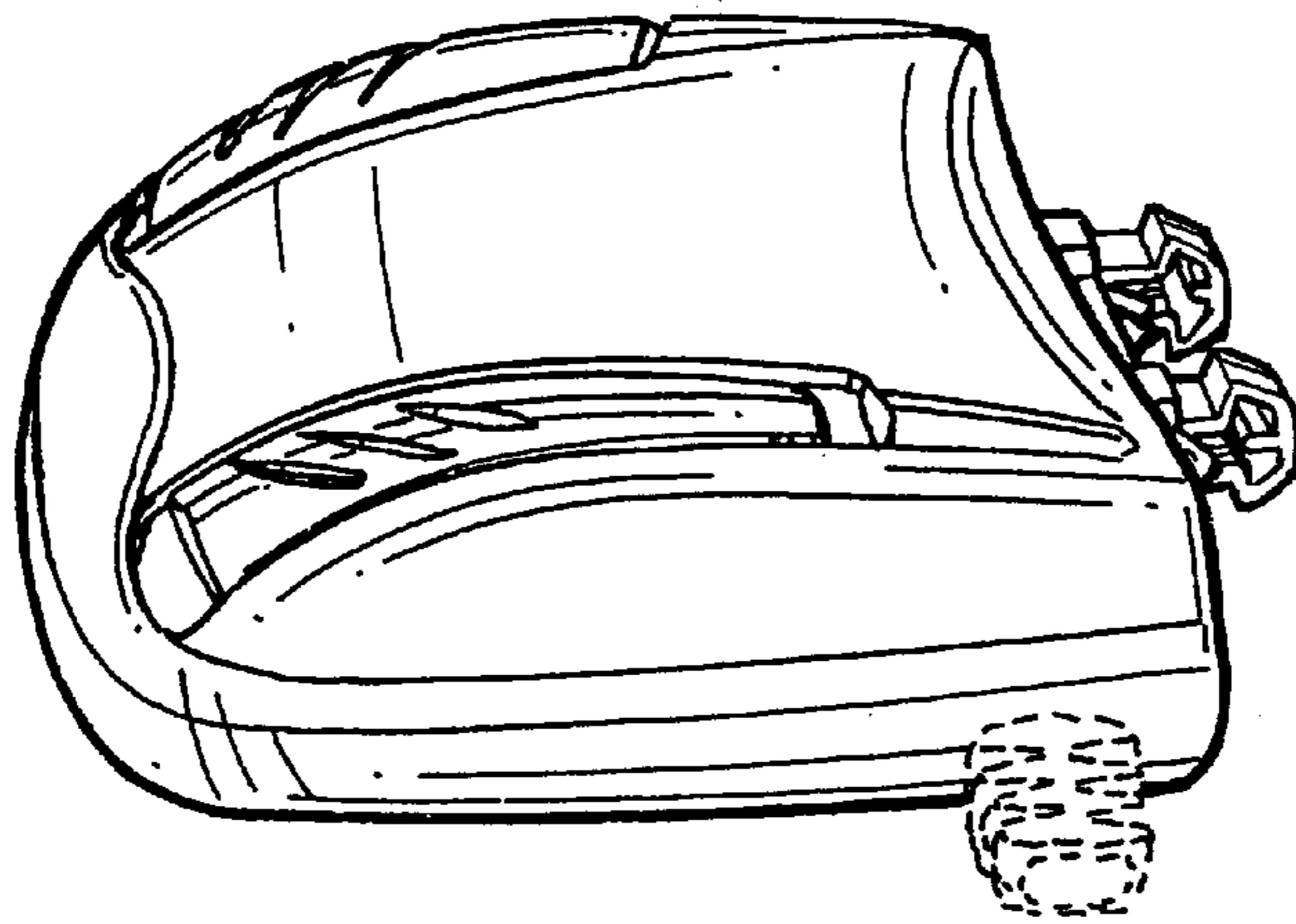


FIG. 7

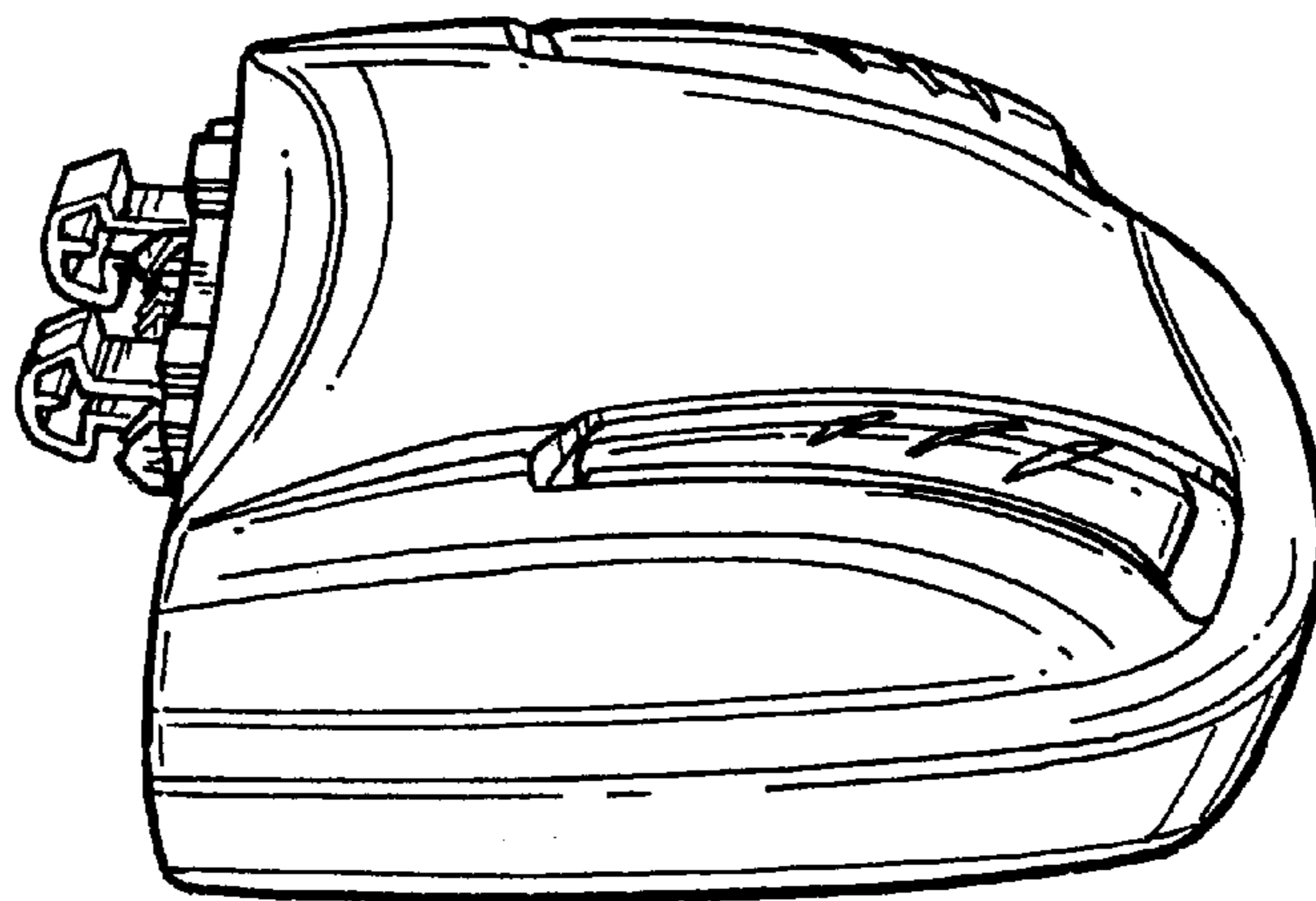


FIG. 8