



US00D444771S

(12) **United States Design Patent**  
**Wu**

(10) **Patent No.:** **US D444,771 S**

(45) **Date of Patent:** **\*\* Jul. 10, 2001**

(54) **MODULAR JACK HOUSING**

(75) Inventor: **Kun-Tsan Wu, Tu-Chen (TW)**

(73) Assignee: **Hon Hai Precision Ind. Co., Ltd.,  
Taipei Hsien (TW)**

(\*\*) Term: **14 Years**

(21) Appl. No.: **29/120,615**

(22) Filed: **Mar. 22, 2000**

(51) **LOC (7) Cl.** ..... **13-03**

(52) **U.S. Cl.** ..... **D13/147**

(58) **Field of Search** ..... **D13/146, 147;**  
**439/607-610, 540.1, 676, 79**

(56) **References Cited**

**U.S. PATENT DOCUMENTS**

- D. 303,109 \* 8/1989 Matsuzaki et al. .... D13/147
- D. 399,827 \* 10/1998 Gaffney ..... D13/147
- 5,876,240 \* 3/1999 Derstine et al. .... 439/79 X
- 5,885,100 \* 3/1999 Talend et al. .... 439/607 X

5,934,940 \* 8/1999 Maranto et al. .... 439/607

5,961,350 \* 10/1999 Shiu ..... 439/607

5,980,320 \* 11/1999 Slack et al. .... 439/607

\* cited by examiner

*Primary Examiner*—Joel Sincavage

(74) *Attorney, Agent, or Firm*—Wei Te Chung

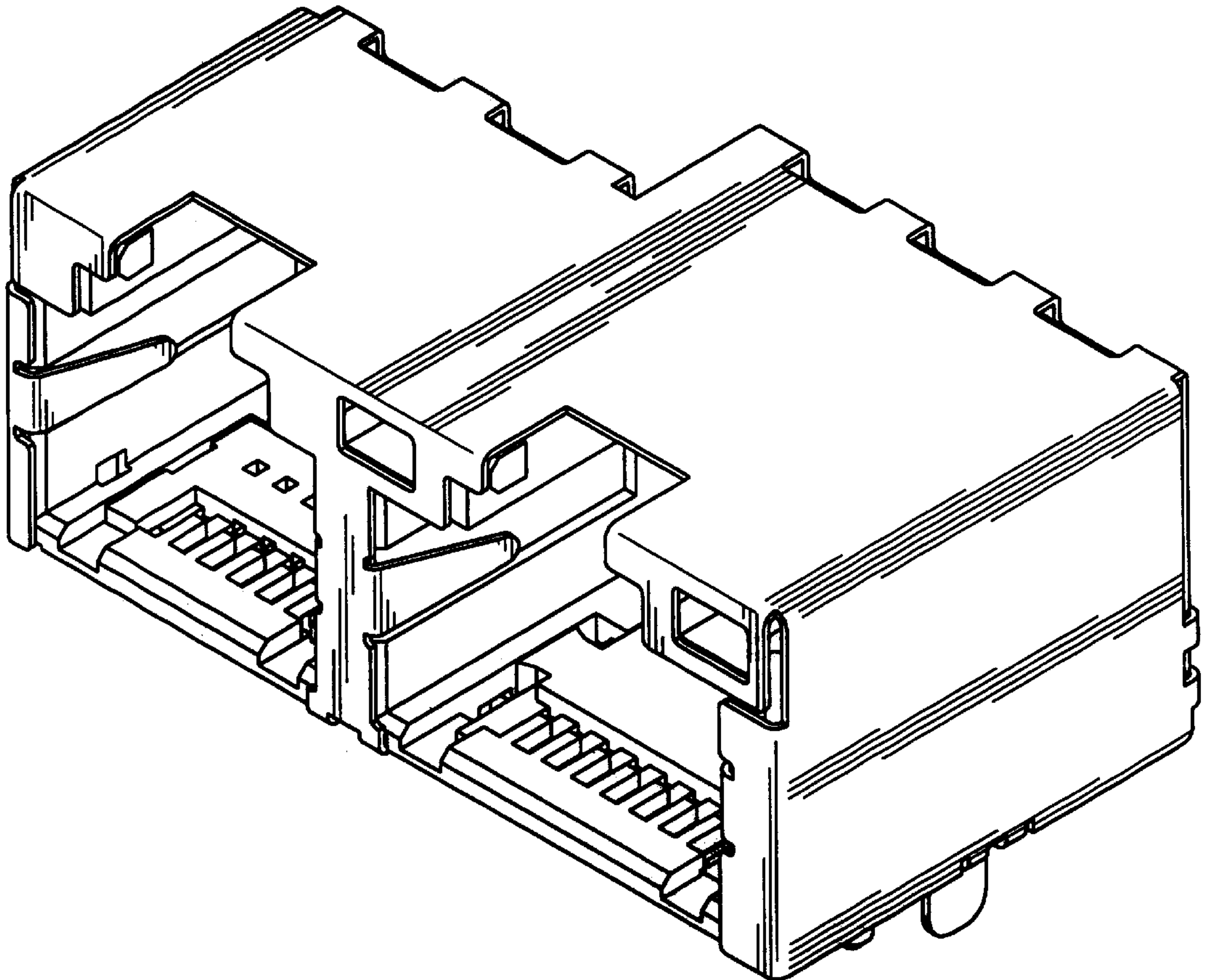
(57) **CLAIM**

The ornamental design for a modular jack housing, as shown.

**DESCRIPTION**

FIG. 1 is a front, top and right side perspective view of a modular jack housing showing my new design; FIG. 2 is a front elevational view thereof; FIG. 3 is a rear elevational view thereof; FIG. 4 is a left side elevational view thereof; FIG. 5 is a right side elevational view thereof; FIG. 6 is a top plan view thereof; and, FIG. 7 is a bottom plan view thereof.

**1 Claim, 7 Drawing Sheets**



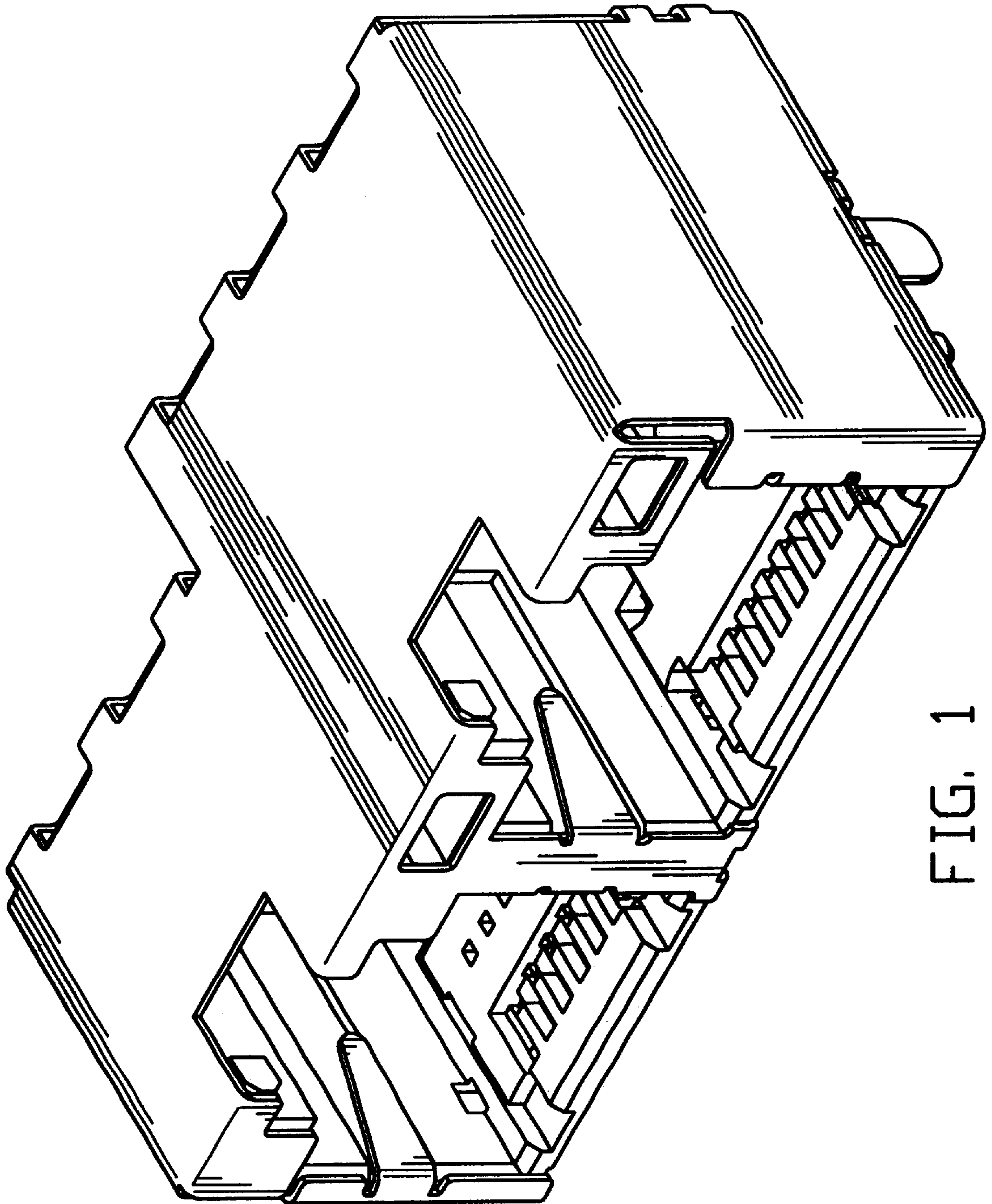


FIG. 1

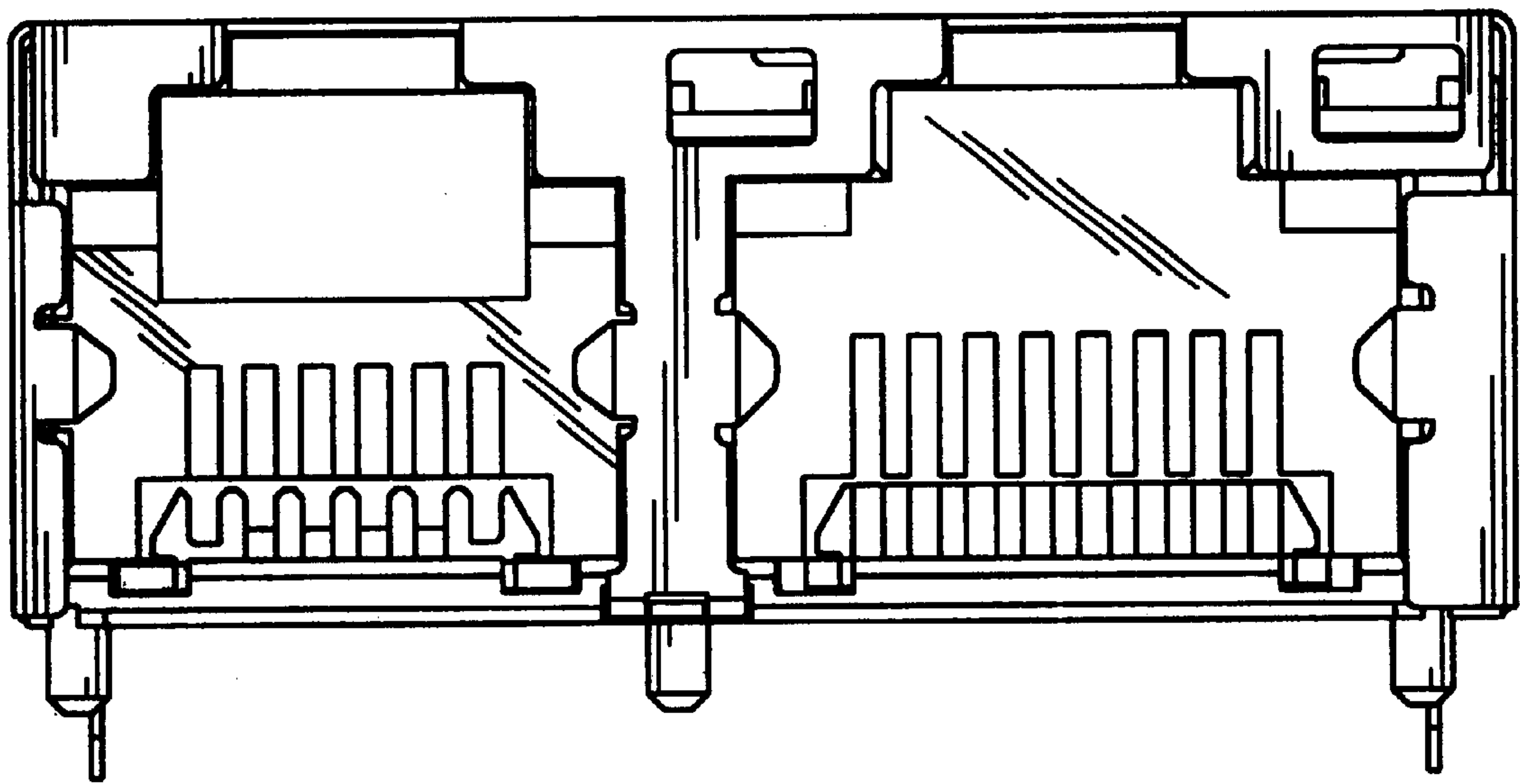


FIG. 2

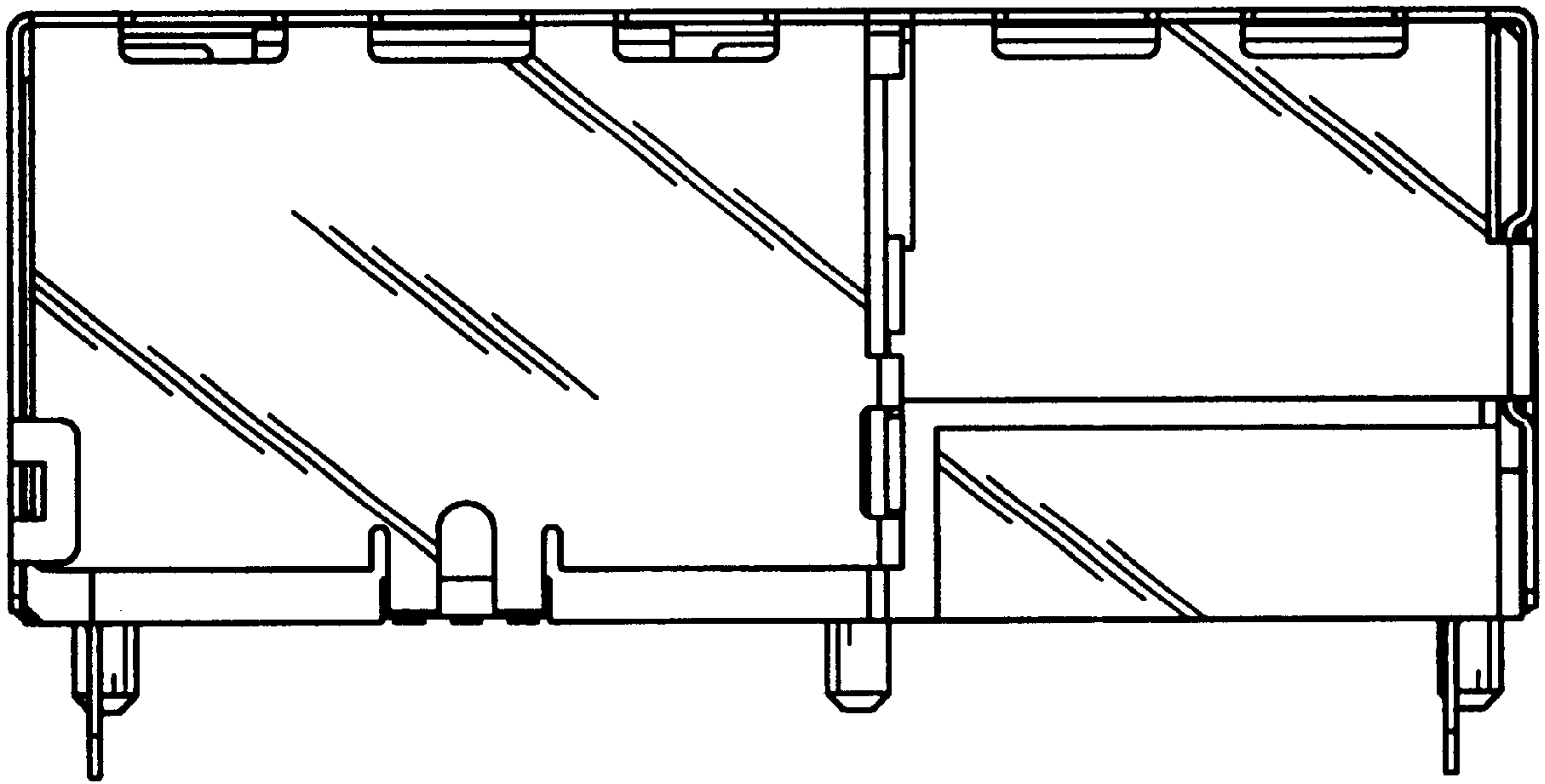


FIG. 3

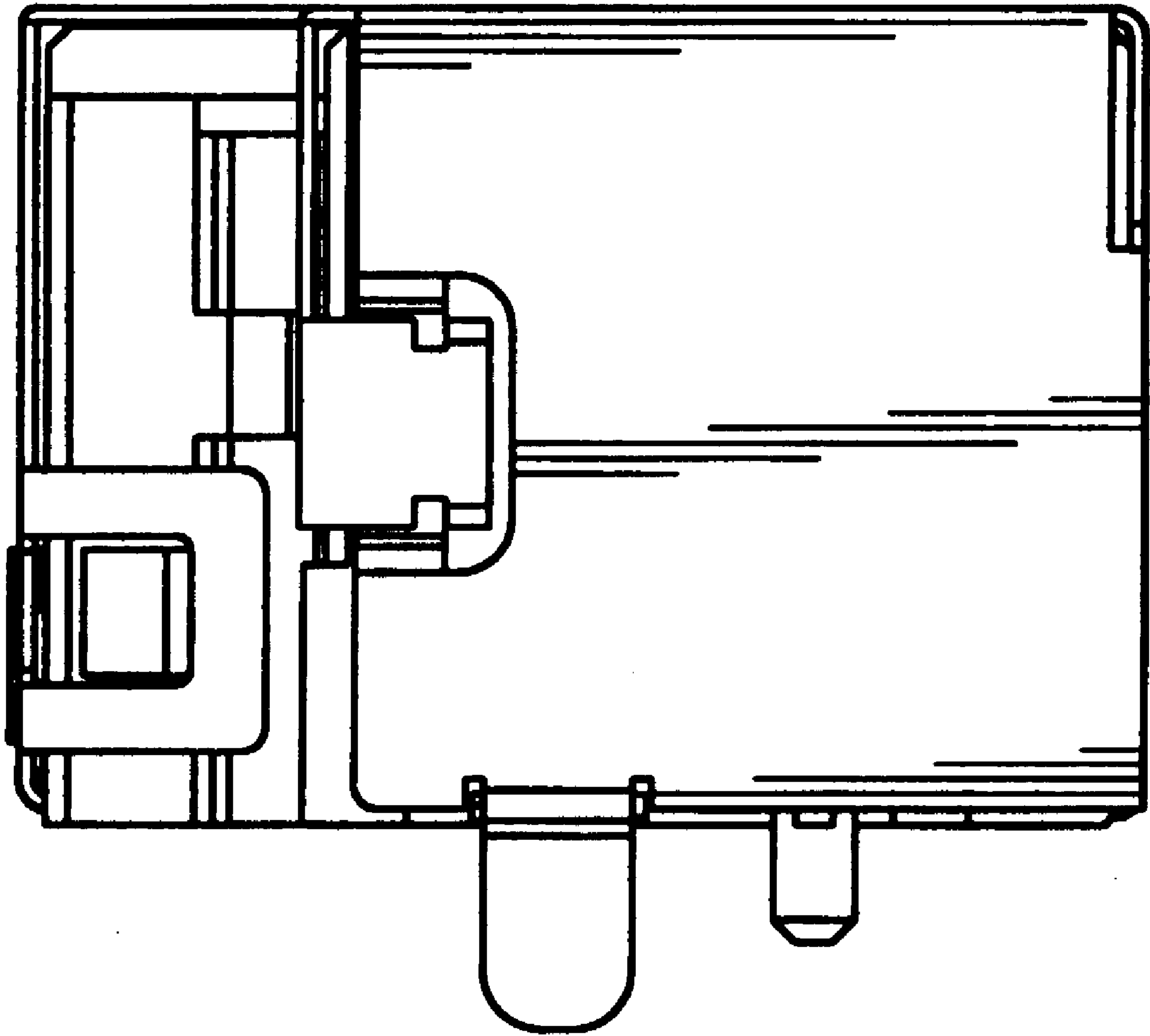


FIG. 4

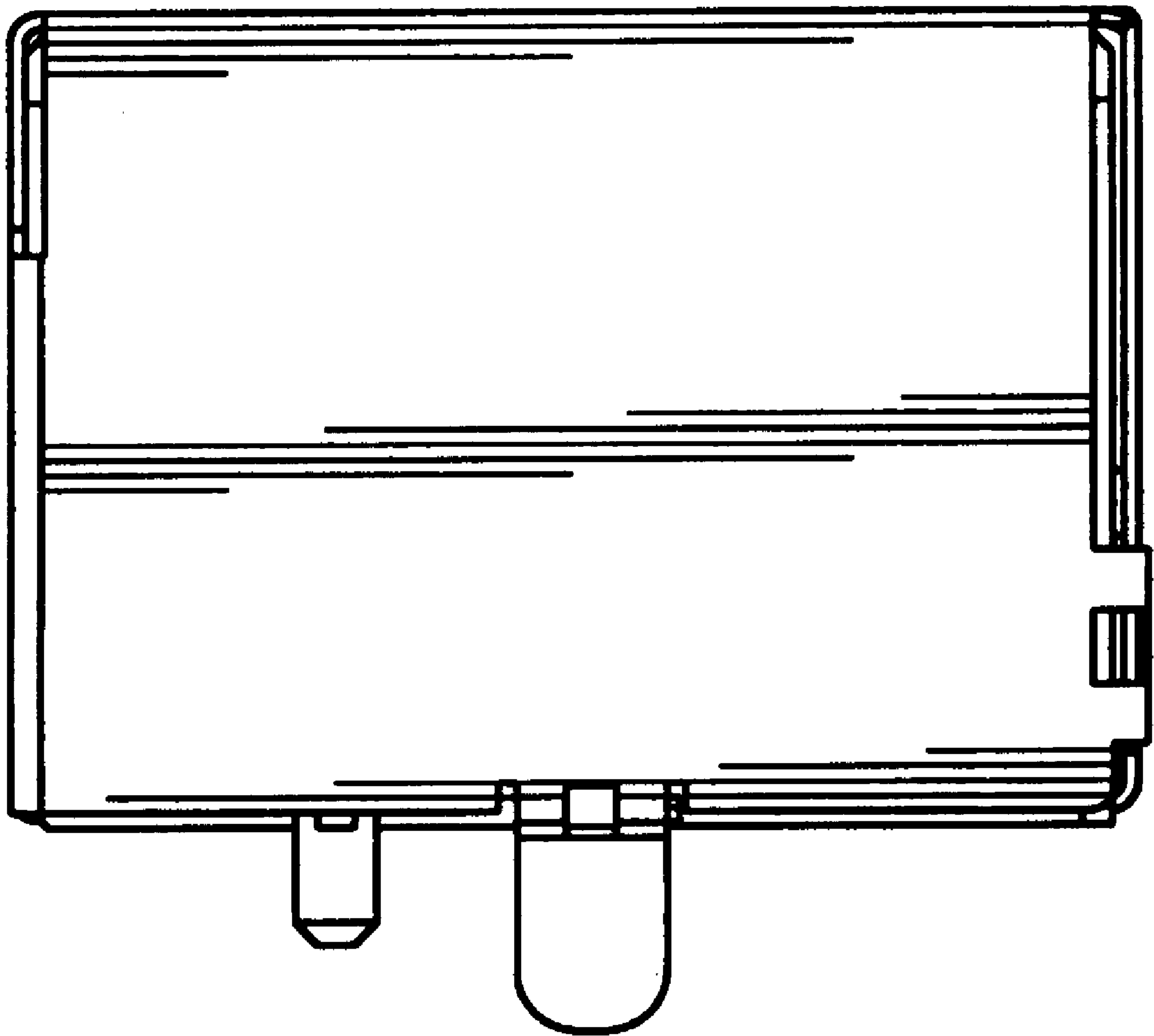


FIG. 5



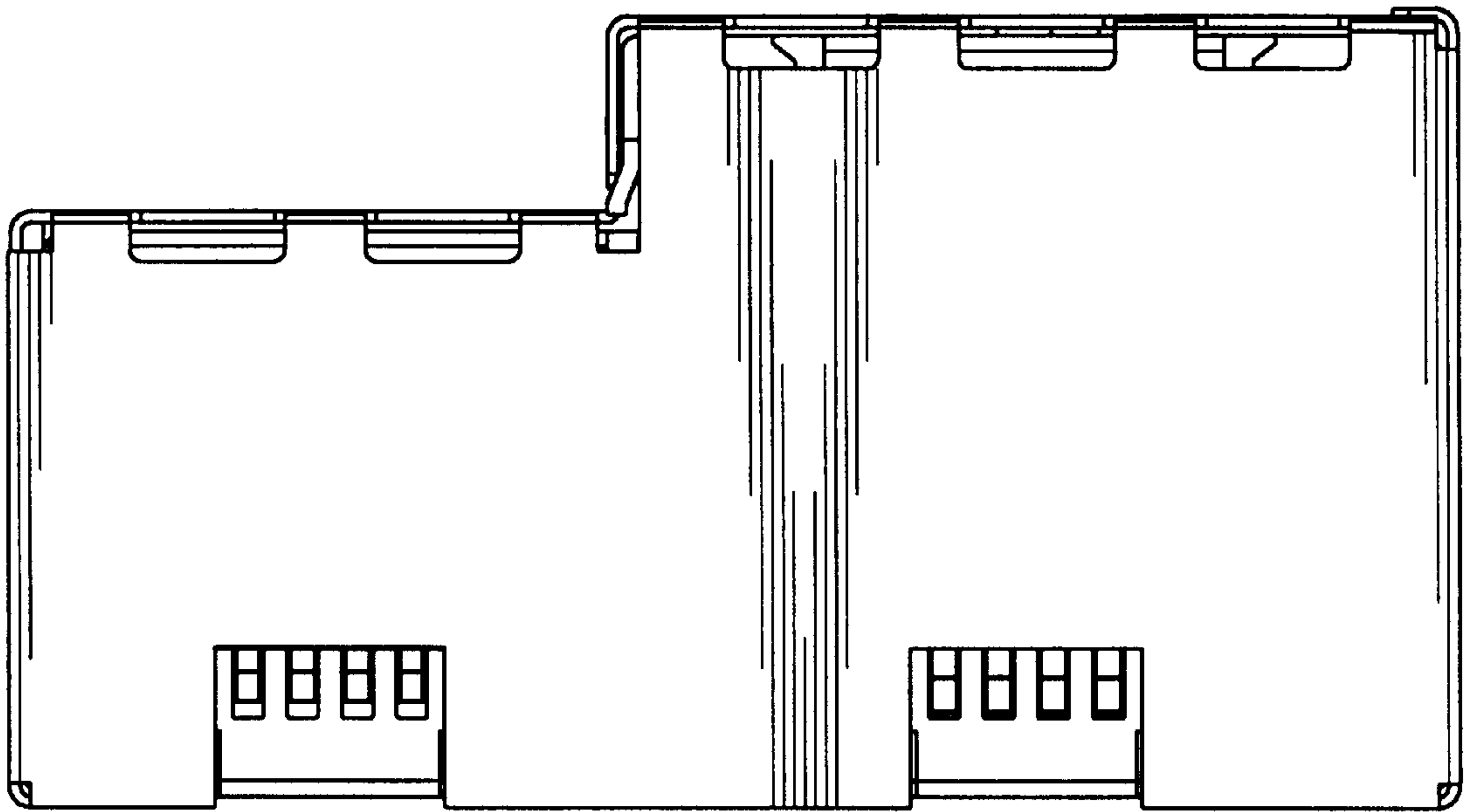


FIG. 6

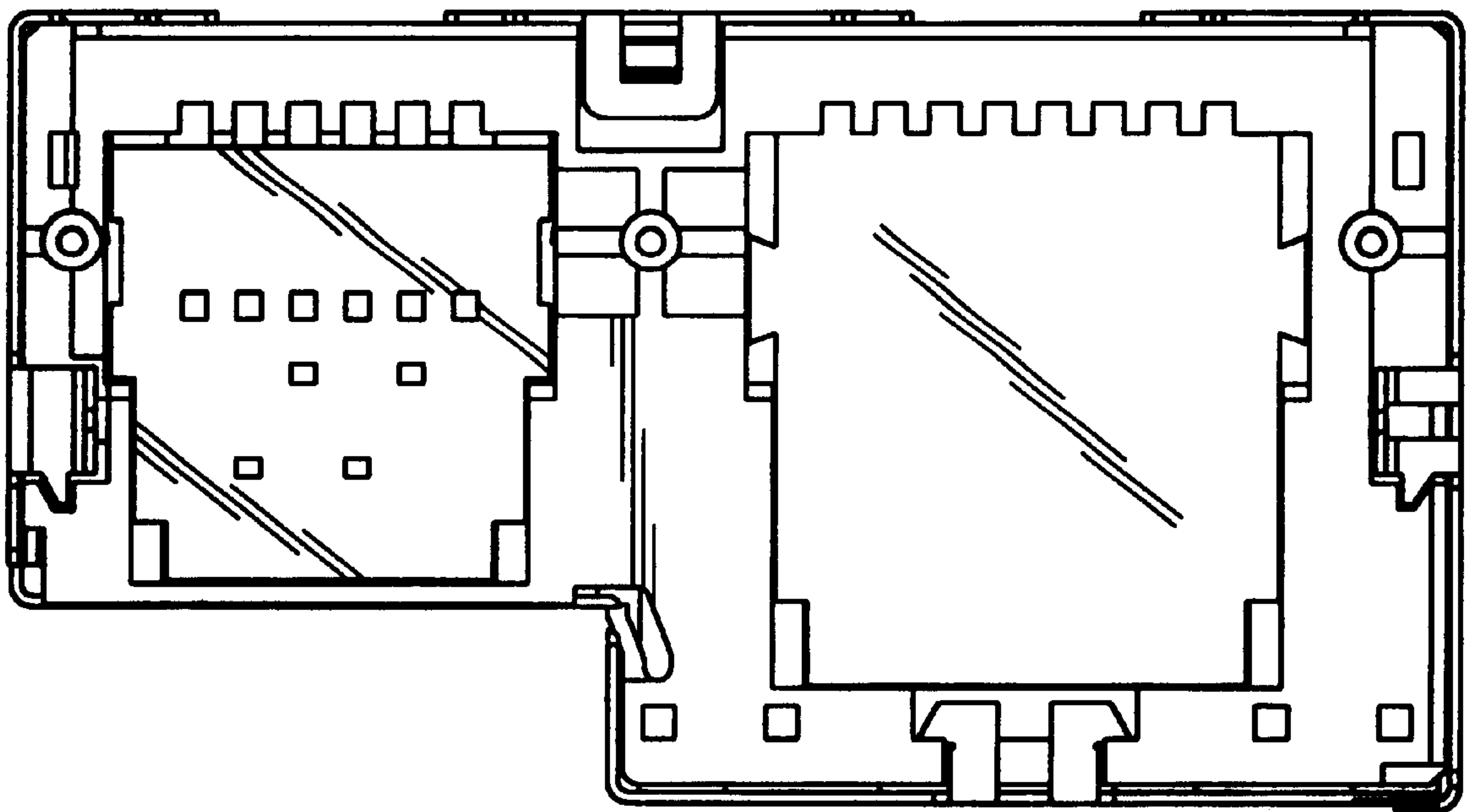


FIG. 7