



US00D444769S

(12) **United States Design Patent**  
**Kishi**

(10) **Patent No.:** **US D444,769 S**

(45) **Date of Patent:** **\*\* Jul. 10, 2001**

(54) **ELECTRICAL CONNECTOR**  
(75) Inventor: **Hideyuki Kishi**, Tokyo (JP)  
(73) Assignee: **Hirose Electric Co., Ltd.**, Tokyo (JP)  
(\*\*) Term: **14 Years**

4,992,054 \* 2/1991 Cassan ..... 439/329 X  
5,075,518 \* 12/1991 Matsumoto ..... 439/188 X  
5,511,995 \* 4/1996 Cheng ..... 439/638  
5,797,768 \* 8/1998 Francaviglia ..... 439/567  
5,876,246 \* 3/1999 Martin et al. .... 439/567 X

\* cited by examiner

*Primary Examiner*—Joel Sincavage

(74) *Attorney, Agent, or Firm*—Kanesaka & Takeuchi

(21) Appl. No.: **29/128,977**  
(22) Filed: **Sep. 7, 2000**

(57) **CLAIM**

The ornamental design for an electrical connector, as shown and described.

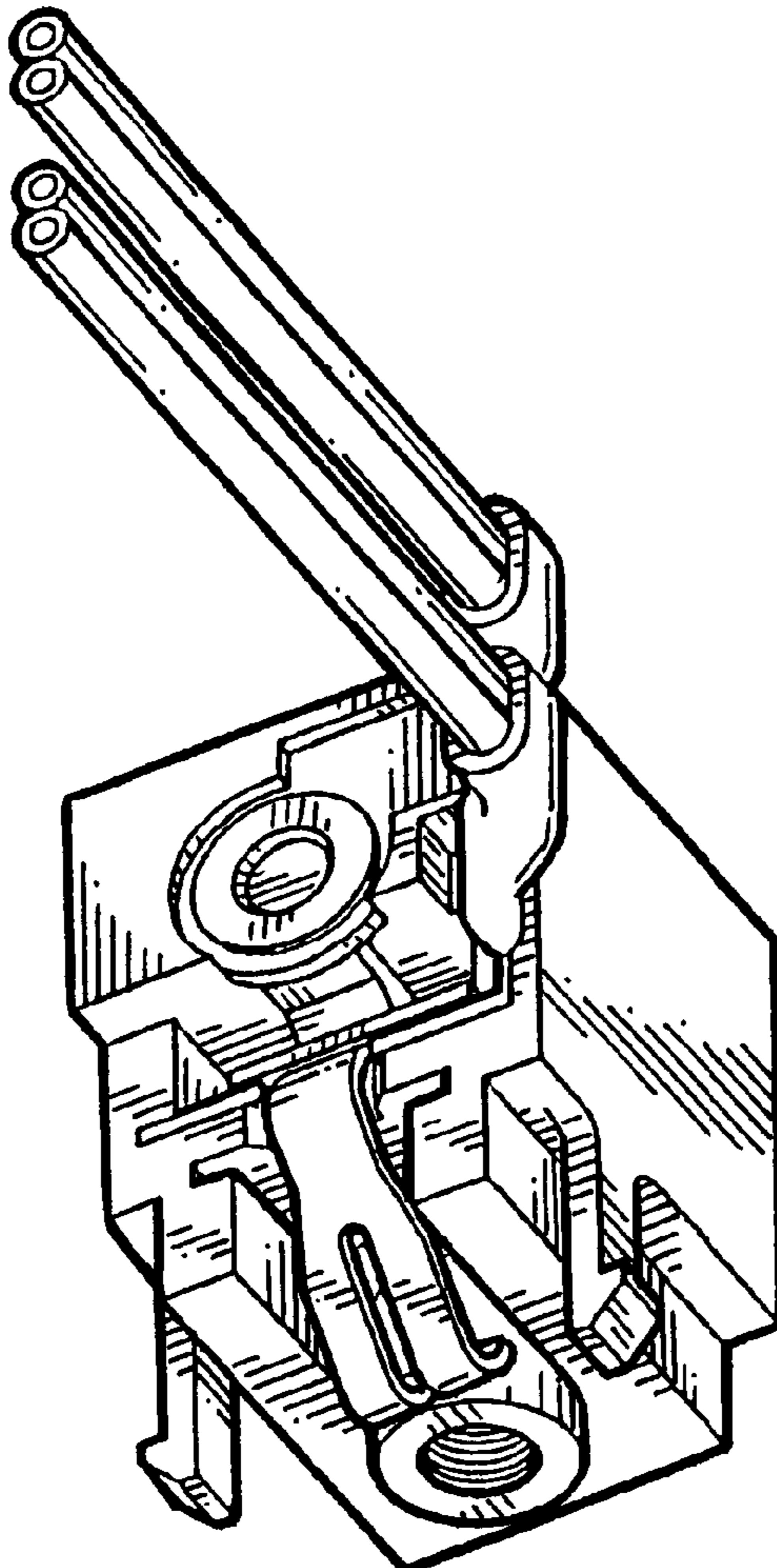
(30) **Foreign Application Priority Data**  
Mar. 15, 2000 (JP) ..... 12-005738  
(51) **LOC (7) Cl.** ..... **13-03**  
(52) **U.S. Cl.** ..... **D13/133**  
(58) **Field of Search** ..... D13/133; 439/79,  
439/80, 95, 188, 329, 502, 567, 638, 582

**DESCRIPTION**

FIG. 1 is a lower left perspective view of an electrical connector showing an embodiment of our new design; FIG. 2 is a rear elevational view thereof; FIG. 3 is a bottom plan view thereof; FIG. 4 is a left-hand side elevational view thereof; FIG. 5 is a front elevational view thereof; FIG. 6 is a right-hand side elevational view thereof; and, FIG. 7 is a top plan view thereof.

(56) **References Cited**  
**U.S. PATENT DOCUMENTS**  
D. 431,528 \* 10/2000 Zhu et al. .... D13/133  
D. 432,083 \* 10/2000 Chang ..... D13/133  
4,691,976 \* 9/1987 Cowen ..... 439/582 X

**1 Claim, 3 Drawing Sheets**



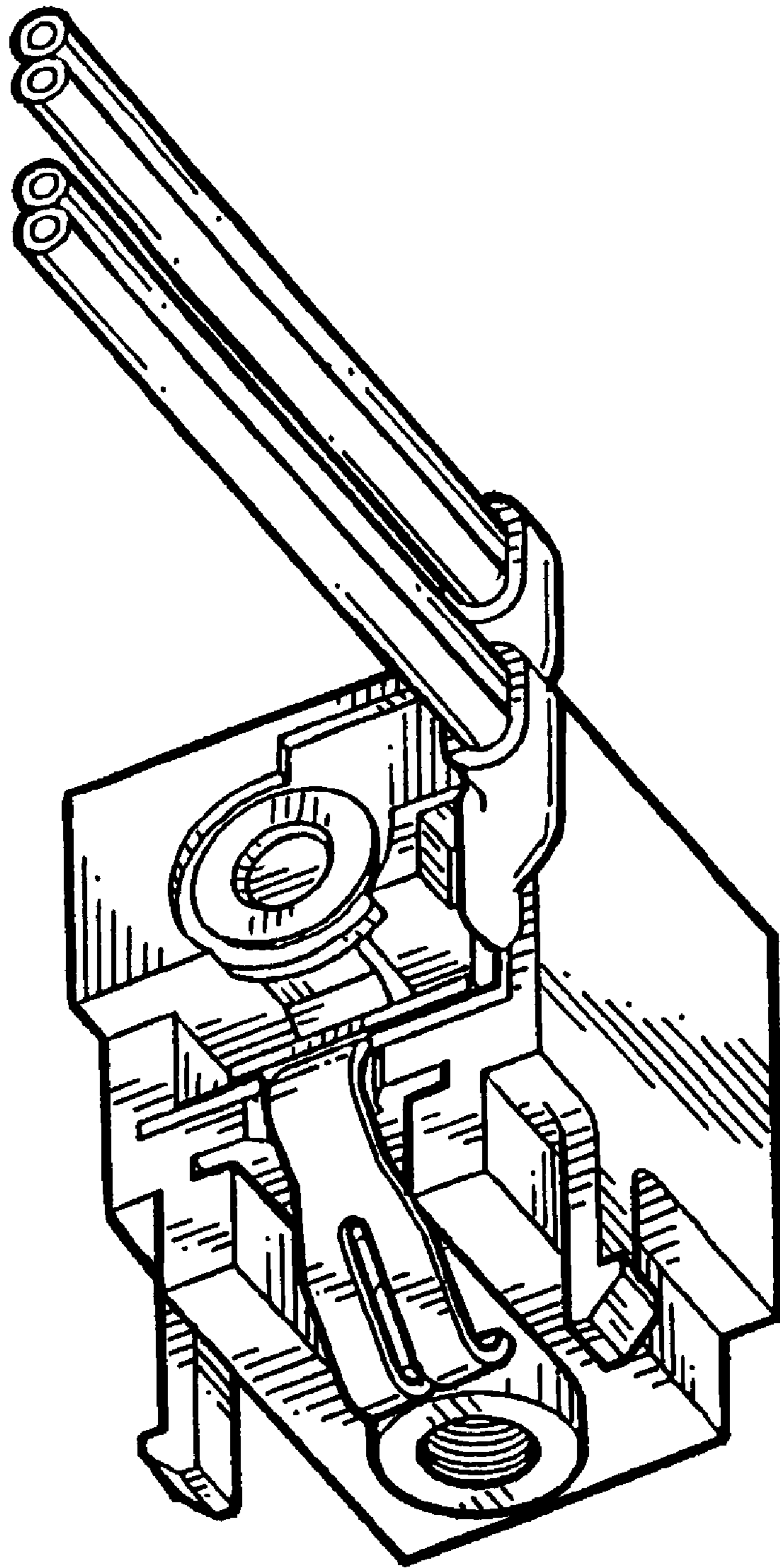


FIG. 1

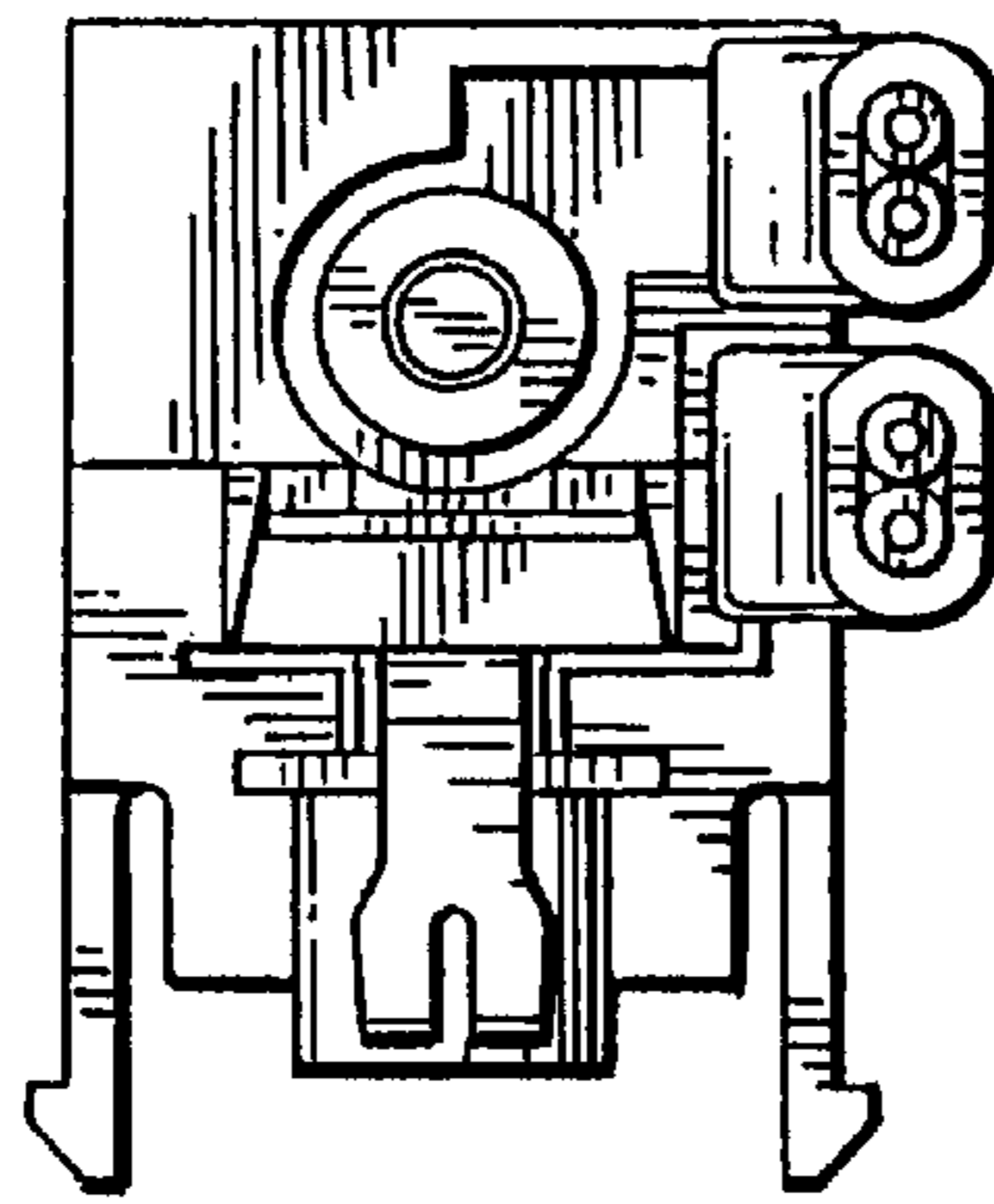


FIG. 2

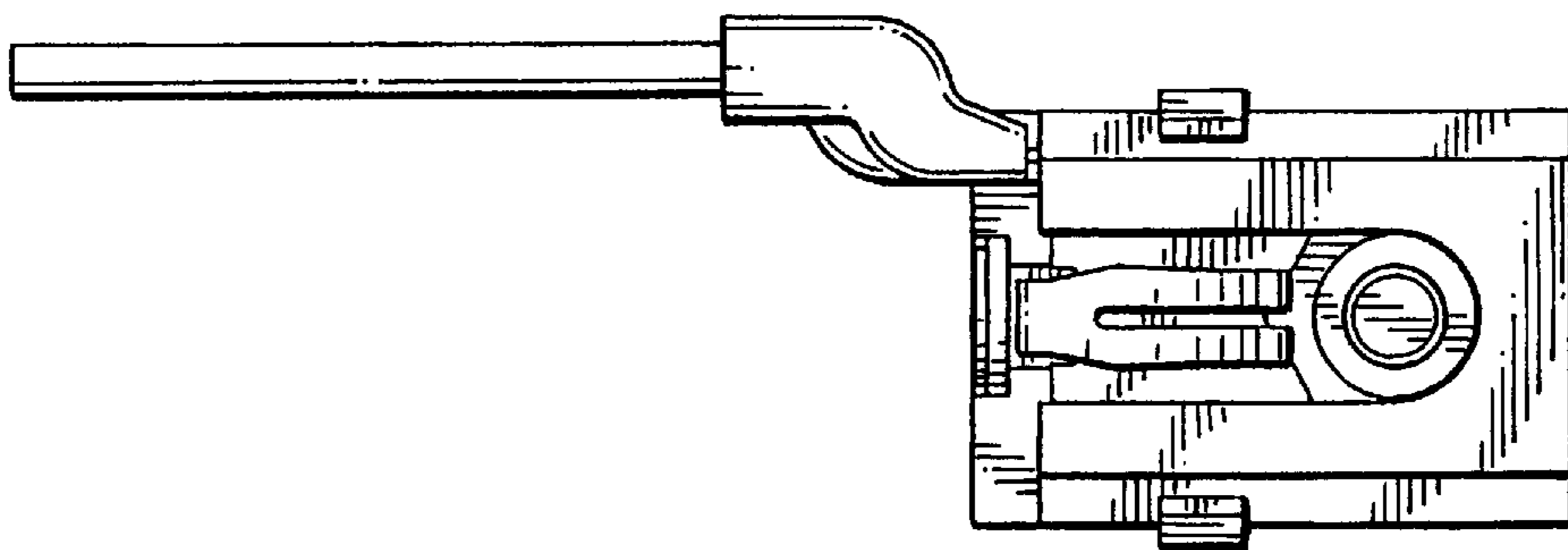


FIG. 3

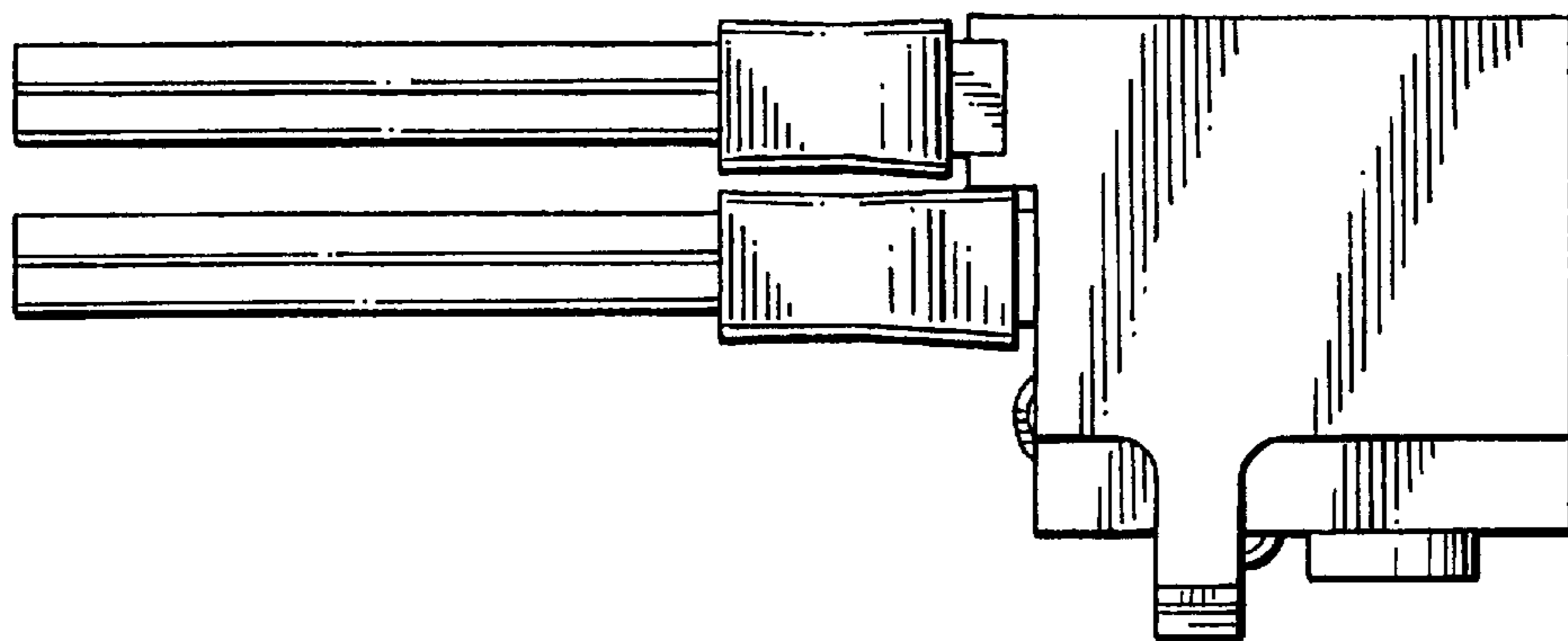


FIG. 4

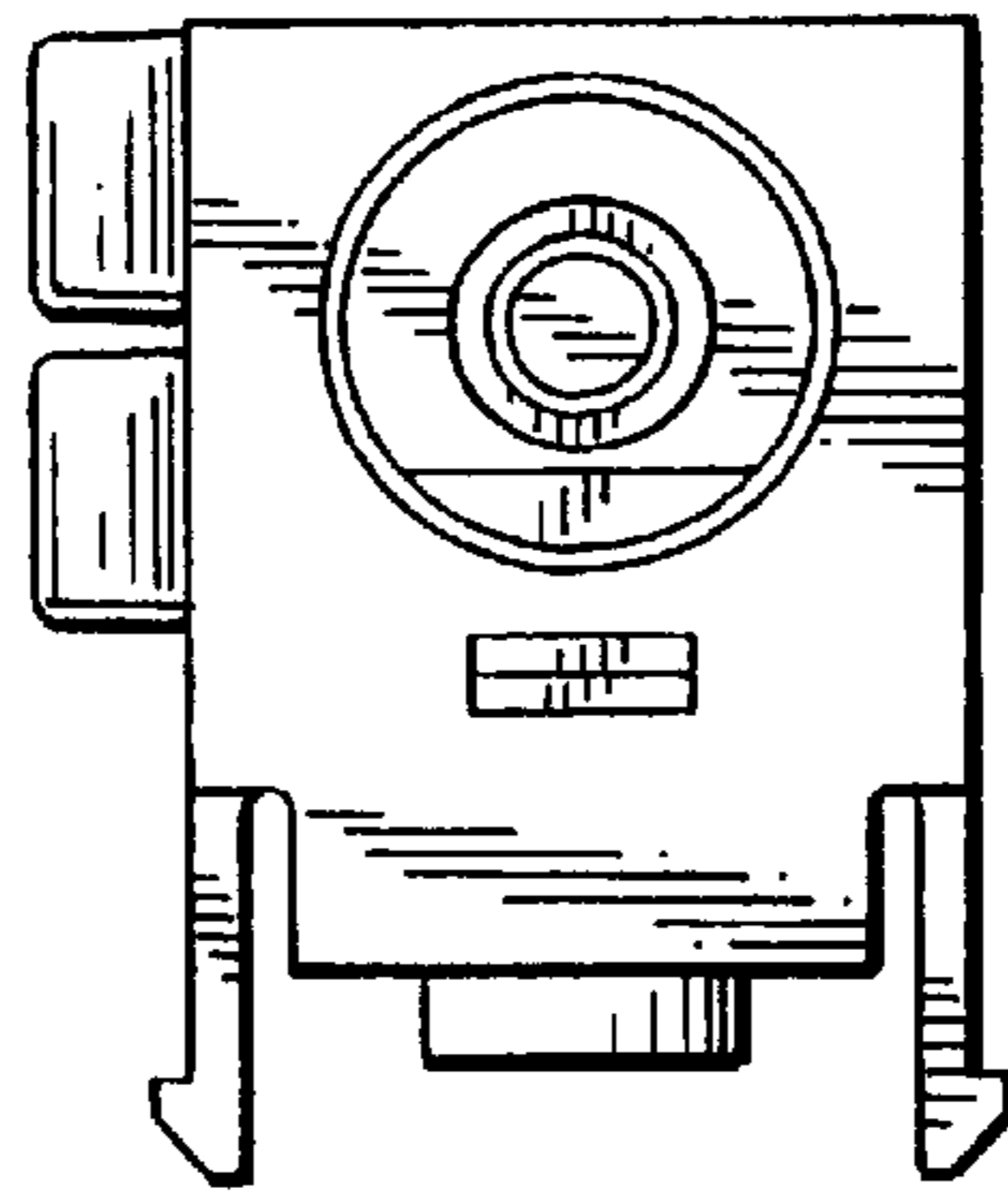


FIG. 5

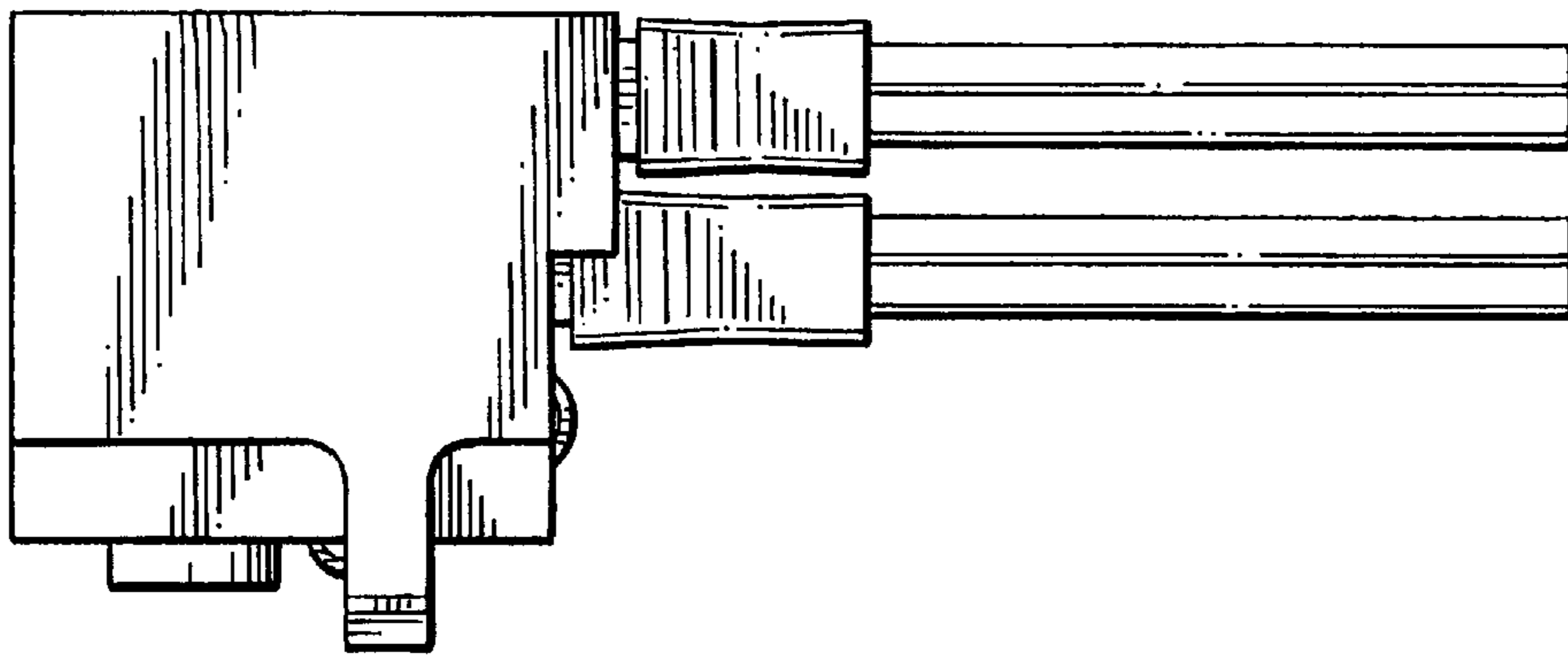


FIG. 6

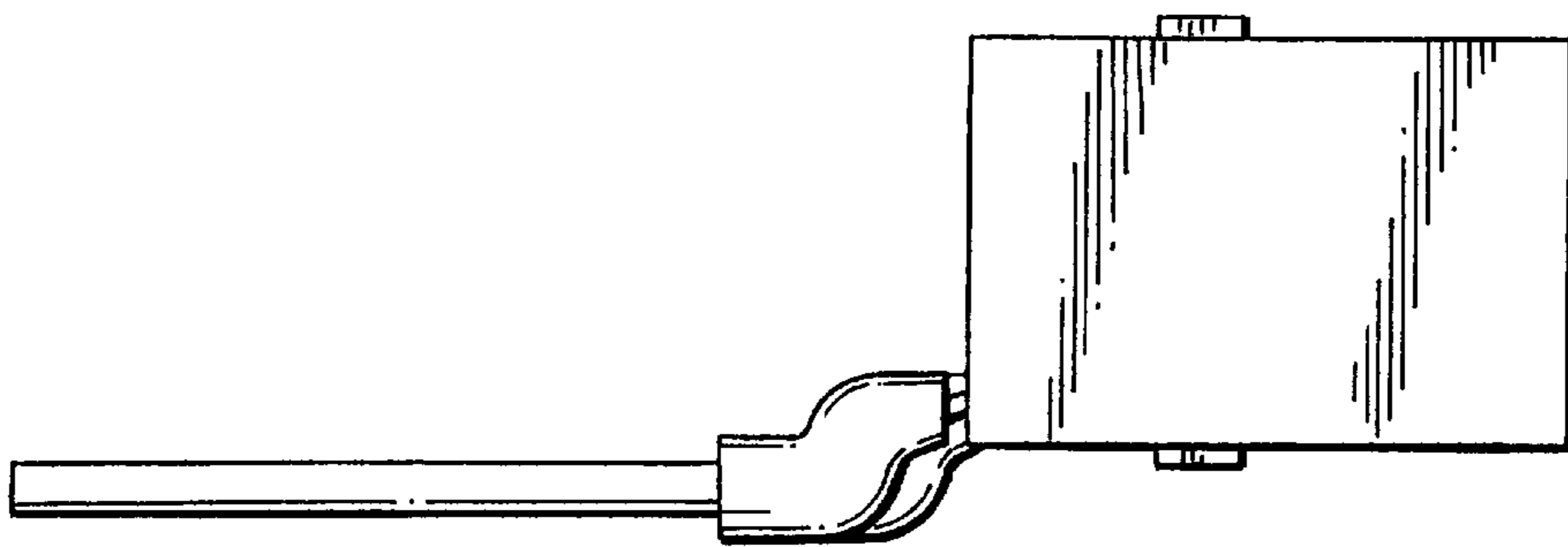


FIG. 7