



US00D444768S

(12) **United States Design Patent**
Kishi

(10) **Patent No.:** **US D444,768 S**

(45) **Date of Patent:** **** Jul. 10, 2001**

(54) **ELECTRICAL CONNECTOR**

(75) Inventor: **Hideyuki Kishi**, Tokyo (JP)

(73) Assignee: **Hirose Electric Co., Ltd.**, Tokyo (JP)

(**) Term: **14 Years**

(21) Appl. No.: **29/128,974**

(22) Filed: **Sep. 7, 2000**

(30) **Foreign Application Priority Data**

Mar. 15, 2000 (JP) 12-5735

(51) **LOC (7) Cl.** **13-03**

(52) **U.S. Cl.** **D13/133**

(58) **Field of Search** D13/133; 439/79,
439/80, 95, 188, 329, 567, 502, 638, 582

(56) **References Cited**

U.S. PATENT DOCUMENTS

- D. 431,528 * 10/2000 Zhu et al. D13/133
- D. 432,083 * 10/2000 Chang D13/133
- 4,691,976 * 9/1987 Cowen 439/582 X

- 4,992,054 * 2/1991 Cassan 439/329 X
- 5,075,518 * 12/1991 Matsumoto 439/188 X
- 5,797,768 * 8/1998 Francaviglia 439/567
- 5,876,246 * 3/1999 Martin et al. 439/567 X

* cited by examiner

Primary Examiner—Joel Sincavage

(74) *Attorney, Agent, or Firm*—Kanesaka & Takeuchi

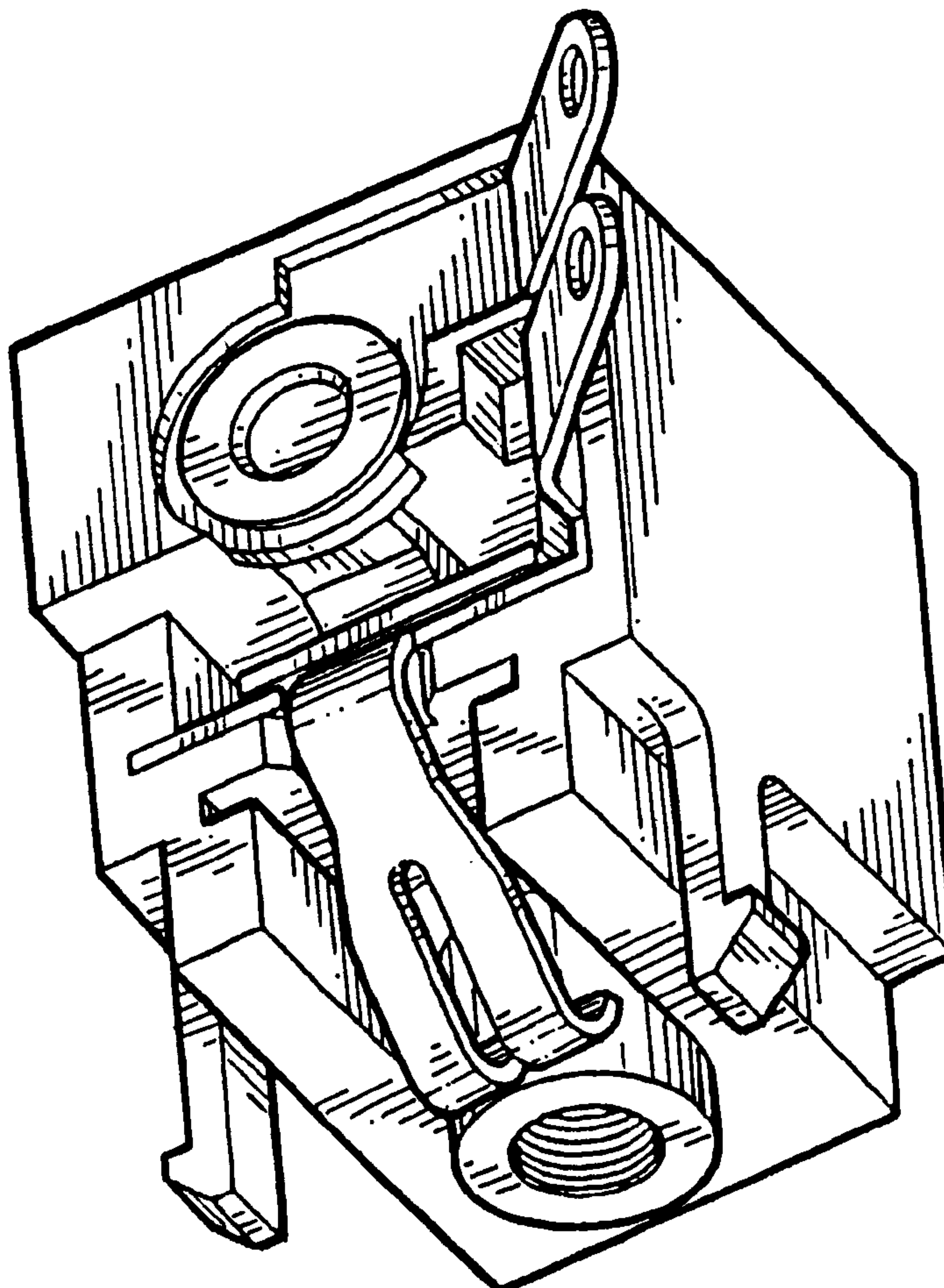
(57) **CLAIM**

The ornamental design for an electrical connector, as shown and described.

DESCRIPTION

FIG. 1 is a lower left perspective view of an electrical connector showing an embodiment of our new design; FIG. 2 is a rear elevational view thereof; FIG. 3 is a bottom plan view thereof; FIG. 4 is a left-hand side elevational view thereof; FIG. 5 is a front elevational view thereof; FIG. 6 is a right-hand side elevational view thereof; and, FIG. 7 is a top plan view thereof.

1 Claim, 3 Drawing Sheets



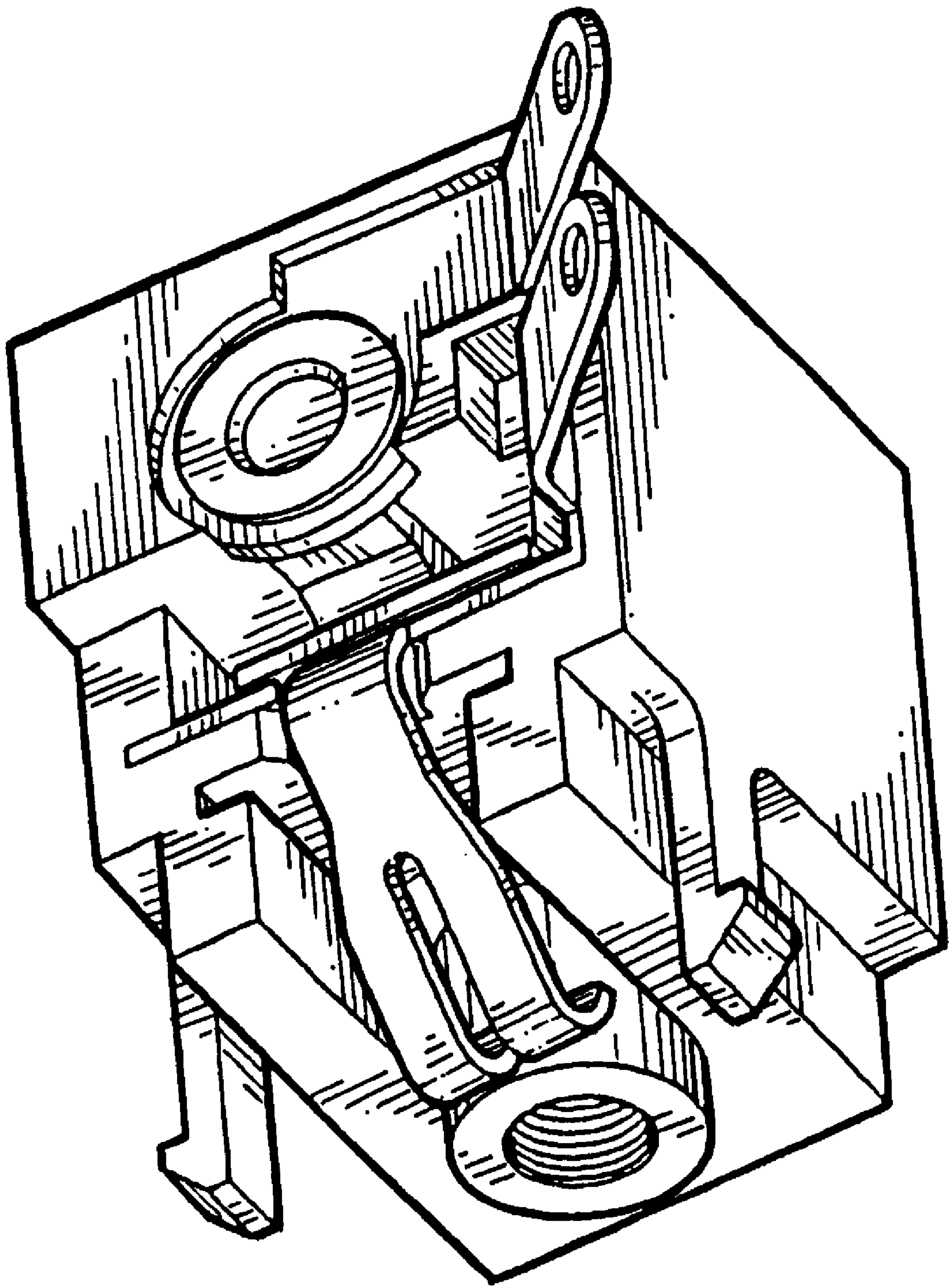


FIG. 1

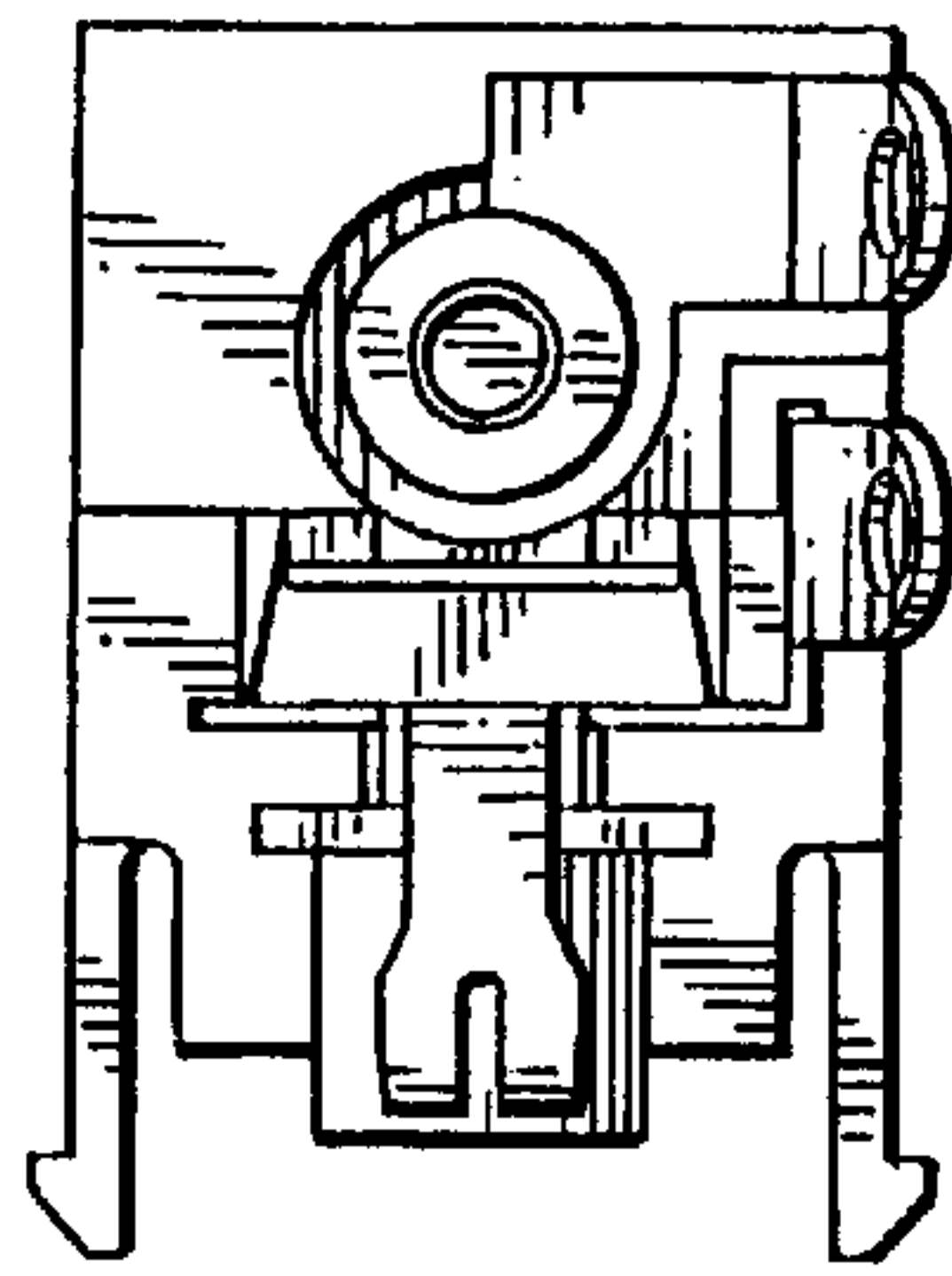


FIG. 2

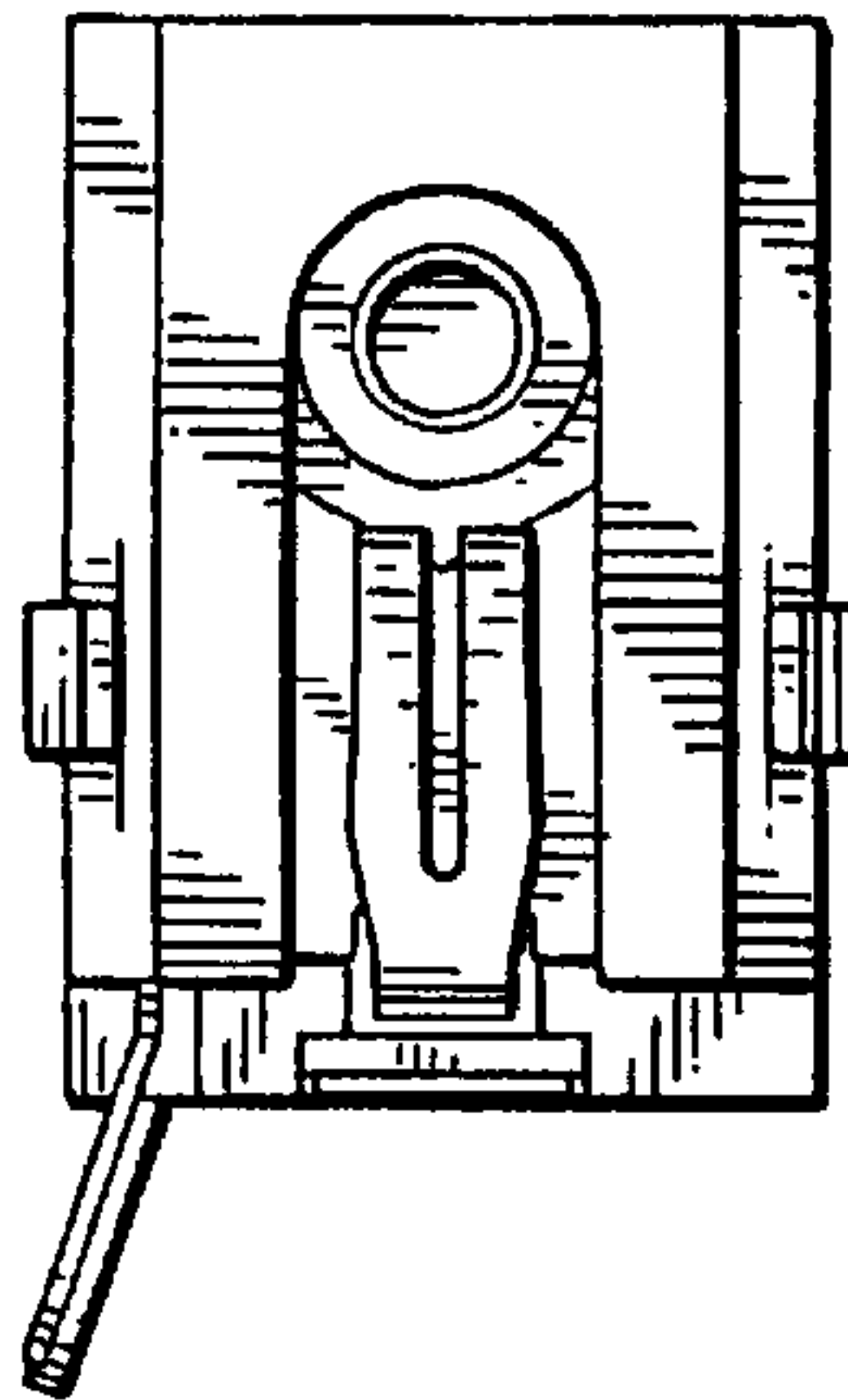


FIG. 3

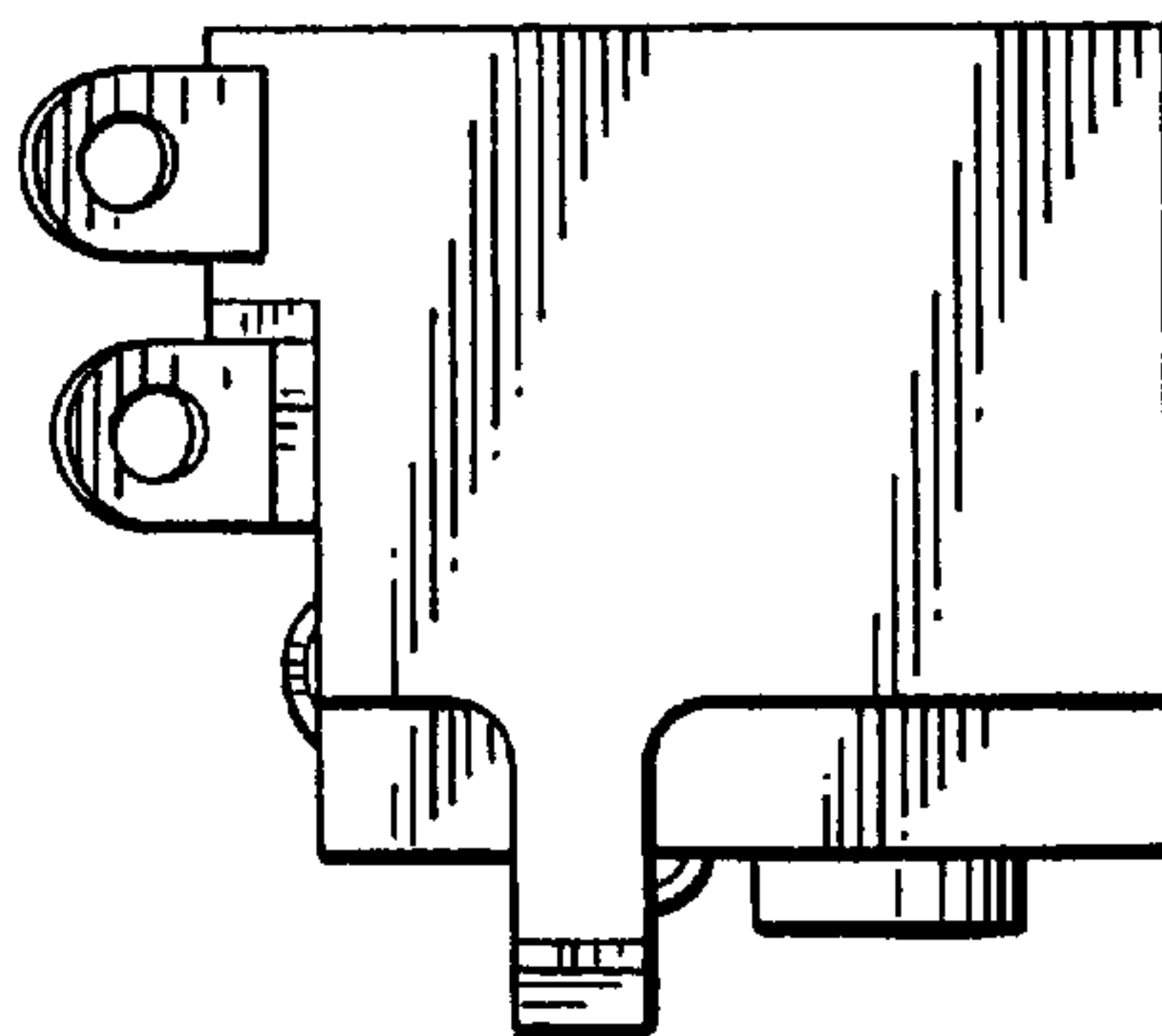


FIG. 4

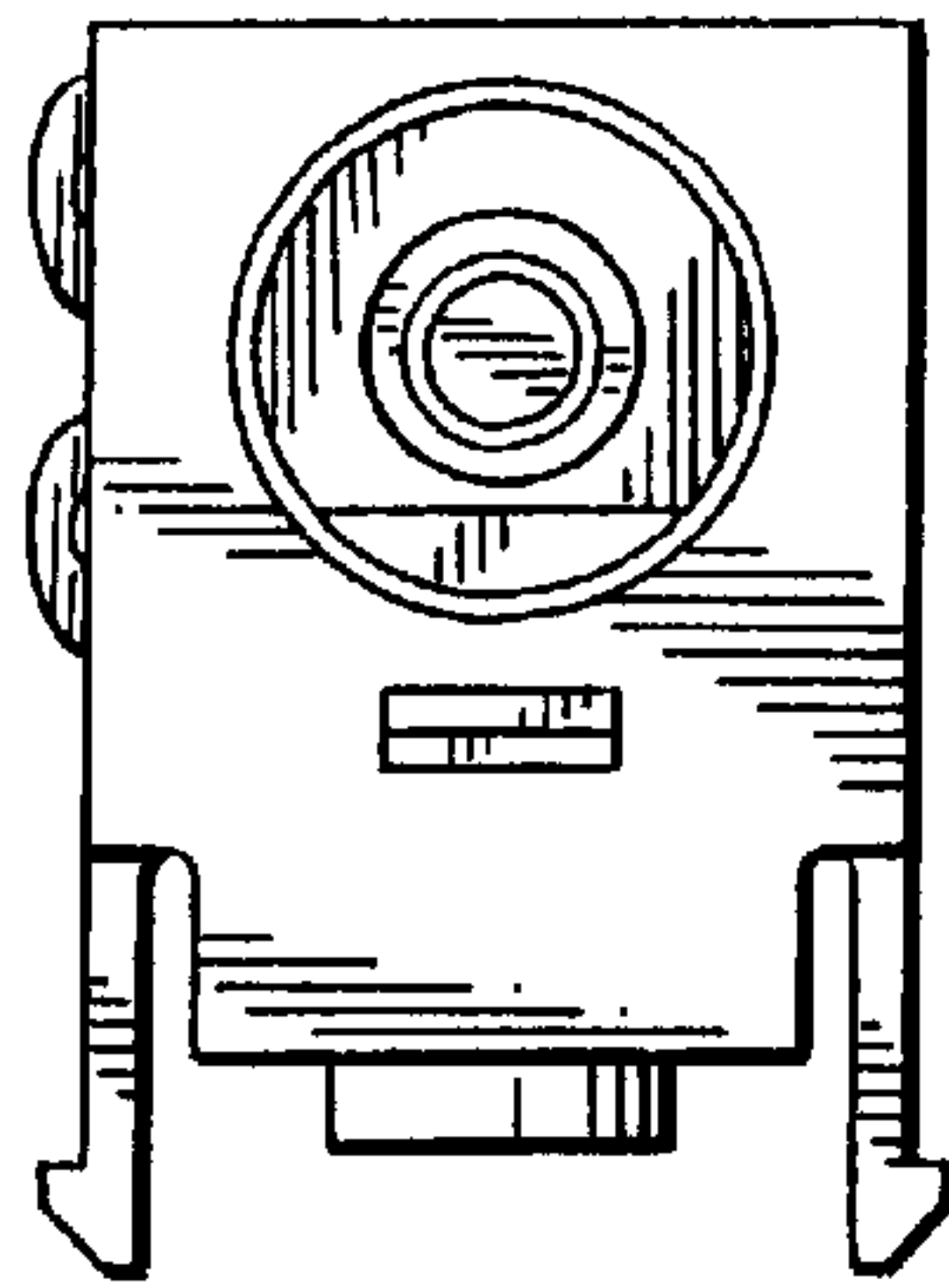


FIG. 5

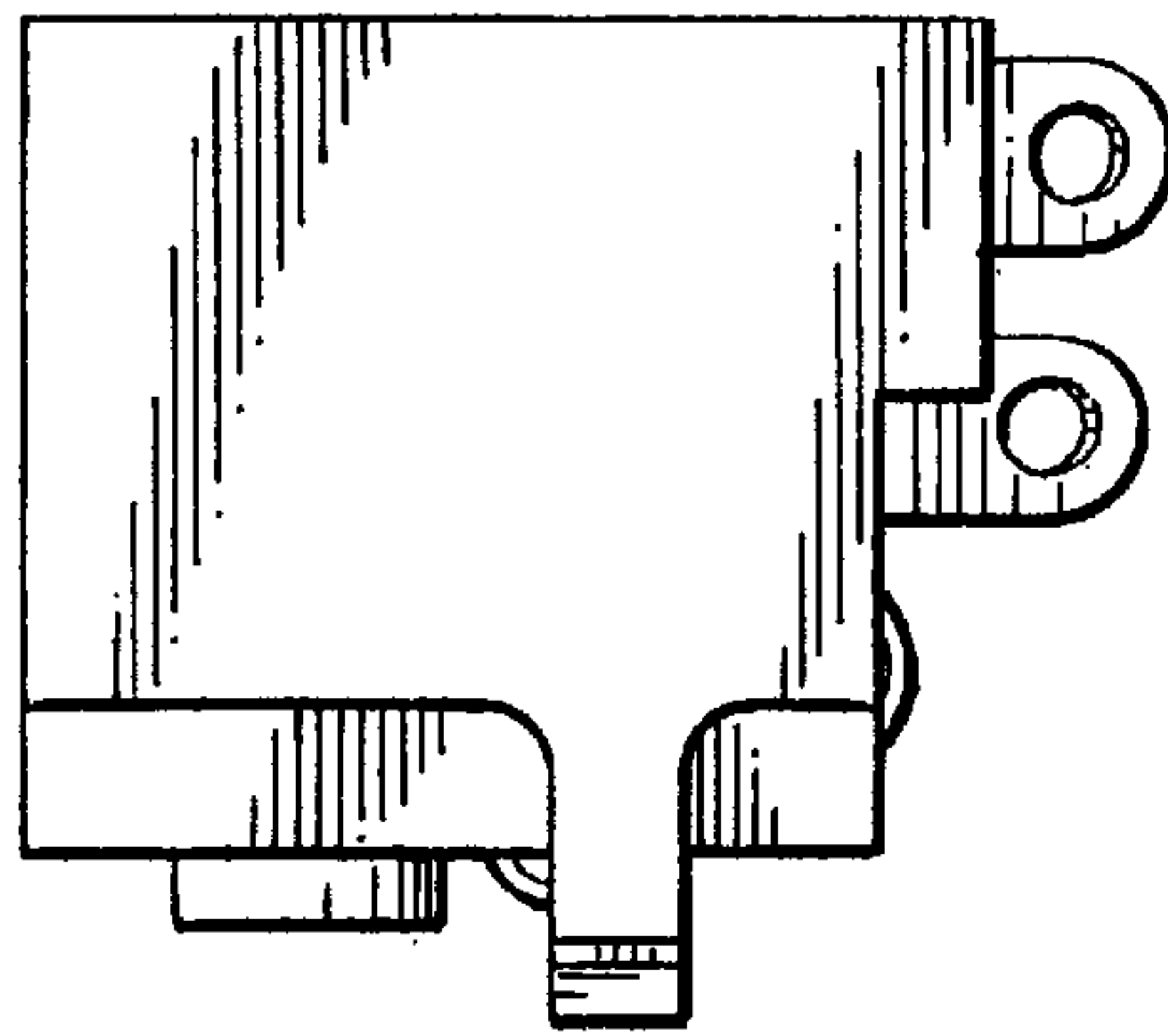


FIG. 6

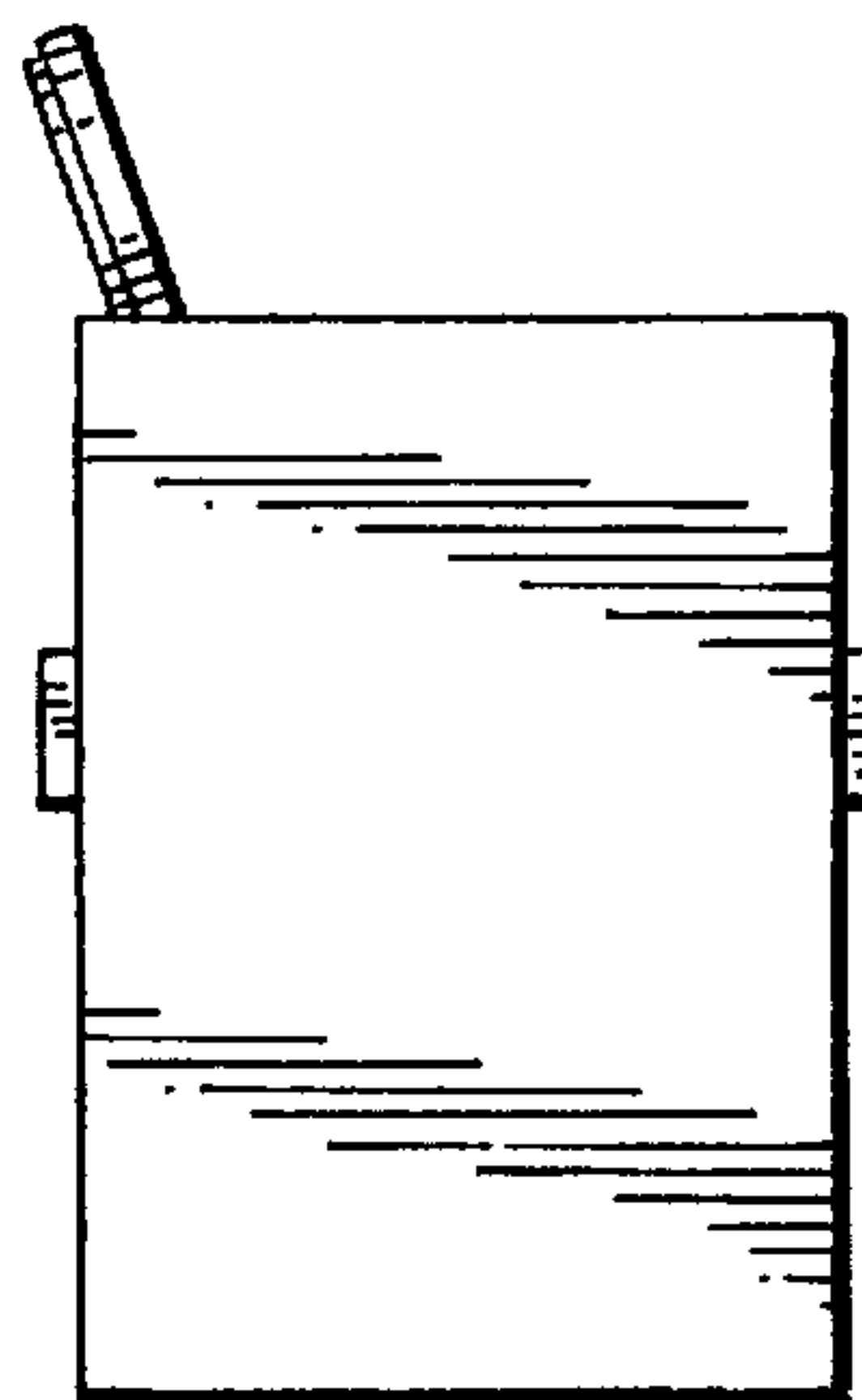


FIG. 7