



US00D444766S

(12) **United States Design Patent**  
**Chow et al.**

(10) **Patent No.:** **US D444,766 S**  
(45) **Date of Patent:** **\*\* Jul. 10, 2001**

(54) **BATTERY COVER**

(75) Inventors: **Choon Kim Chow**, Kuala Lumpur;  
**Tsan Kim Chaw**, Selangor, both of  
(MY)

(73) Assignee: **Tai Kwong-Yokohama Battery  
Industries Sdn. Bhd.** (MY)

(\*\*) Term: **14 Years**

(21) Appl. No.: **29/117,271**

(22) Filed: **Jan. 21, 2000**

(30) **Foreign Application Priority Data**

Jul. 21, 1999 (GB) ..... 2085161

(51) **LOC (7) Cl.** ..... **13-02**

(52) **U.S. Cl.** ..... **D13/119**

(58) **Field of Search** ..... D13/119, 104;  
429/177, 179, 82-89

(56) **References Cited**

**U.S. PATENT DOCUMENTS**

D. 299,639 \* 1/1989 Anderson et al. .... D13/119

3,657,020 \* 4/1972 Harrah ..... 429/87  
4,851,305 \* 7/1989 Kump et al. .... 429/84  
5,159,272 \* 10/1992 Rao et al. .... 429/93 X  
5,422,199 \* 6/1995 Adams et al. .... 429/88  
5,496,658 \* 3/1996 Hein et al. .... 429/93  
5,702,841 \* 12/1997 Thomas et al. .... 429/88

\* cited by examiner

*Primary Examiner*—Joel Sincavage

(74) *Attorney, Agent, or Firm*—Pennie & Edmonds LLP

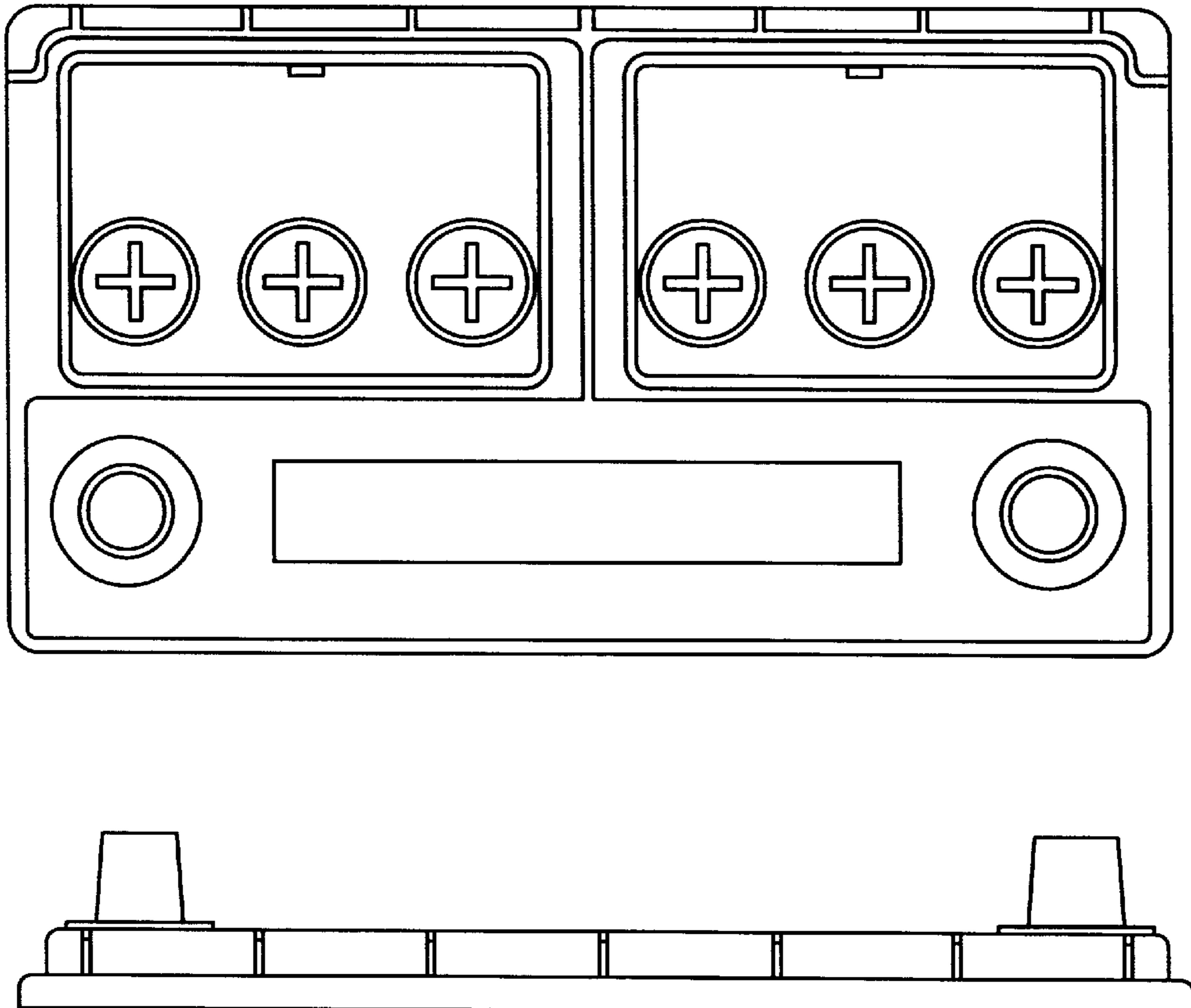
(57) **CLAIM**

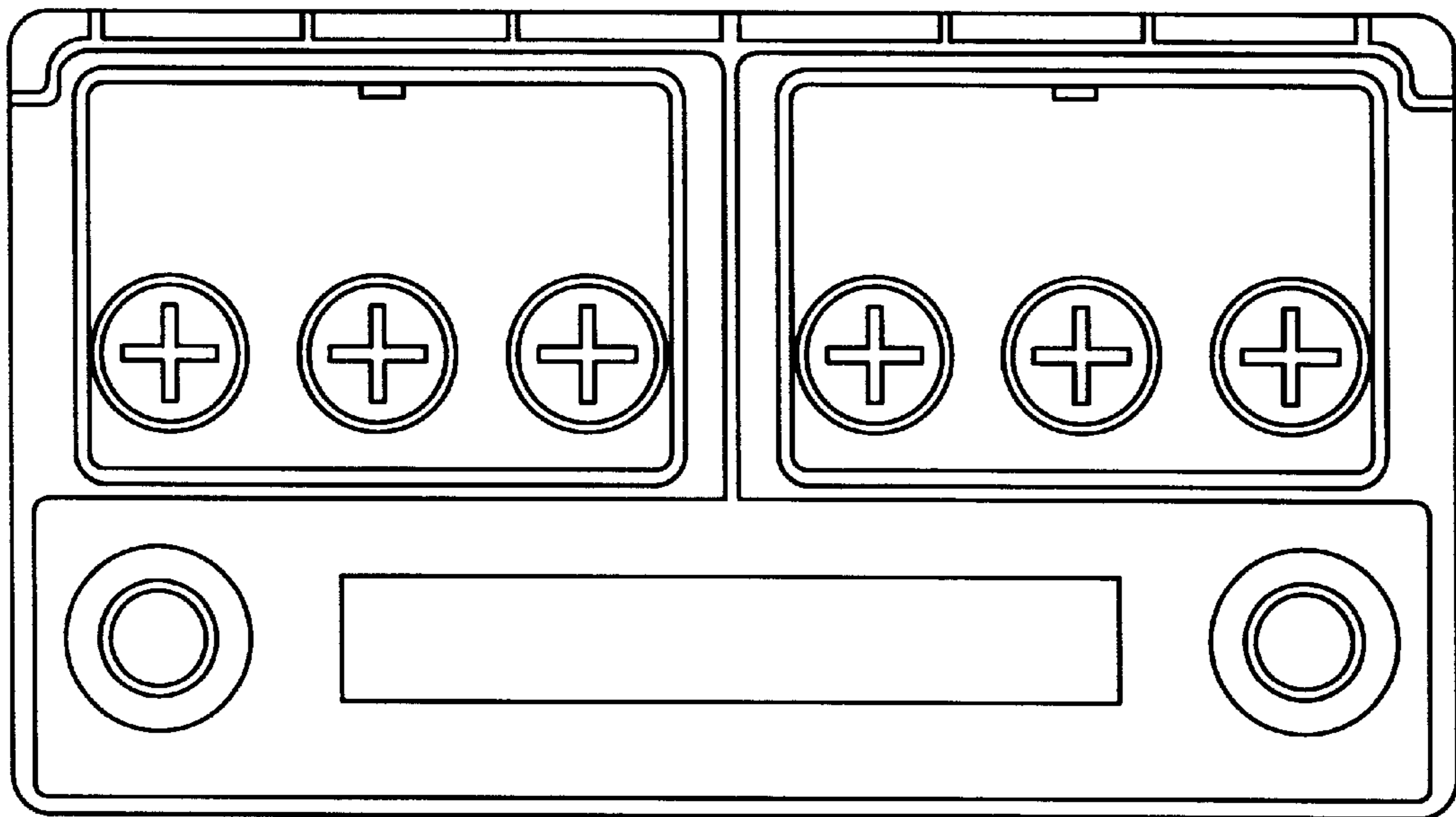
The ornamental design for a battery cover, as shown and described.

**DESCRIPTION**

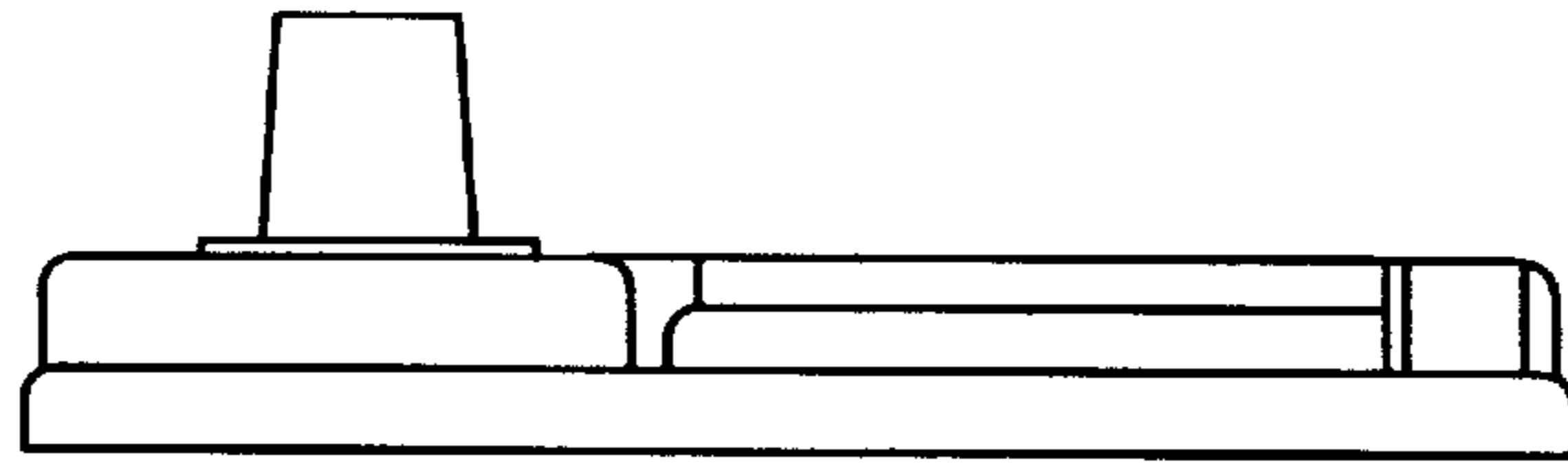
FIG. 1 is a top view of the battery cover of the present invention;  
FIG. 2 is an end view thereof, the opposite end view being the mirror image of FIG. 2;  
FIG. 3 is a front side view thereof;  
FIG. 4 is a back side view thereof; and,  
FIG. 5 is a bottom view thereof.

**1 Claim, 3 Drawing Sheets**

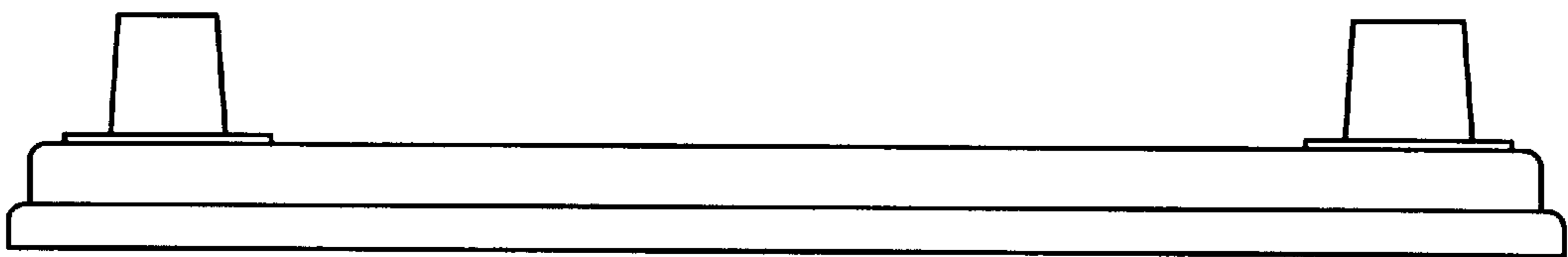




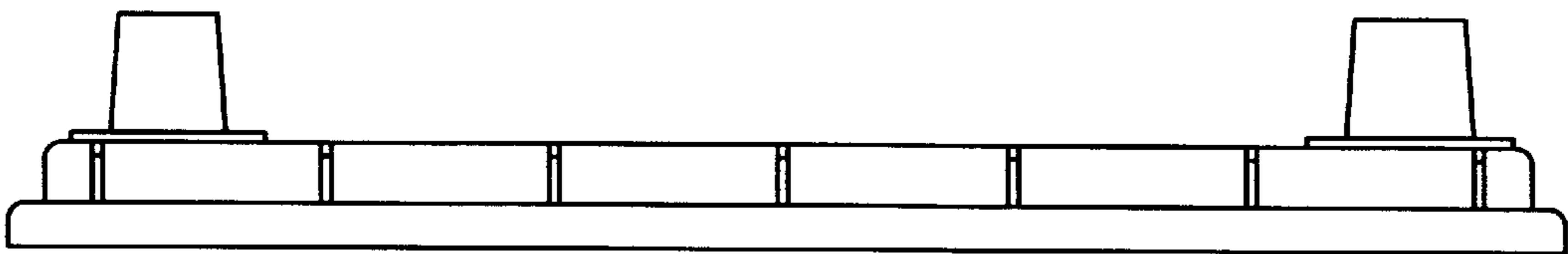
*Fig. 1*



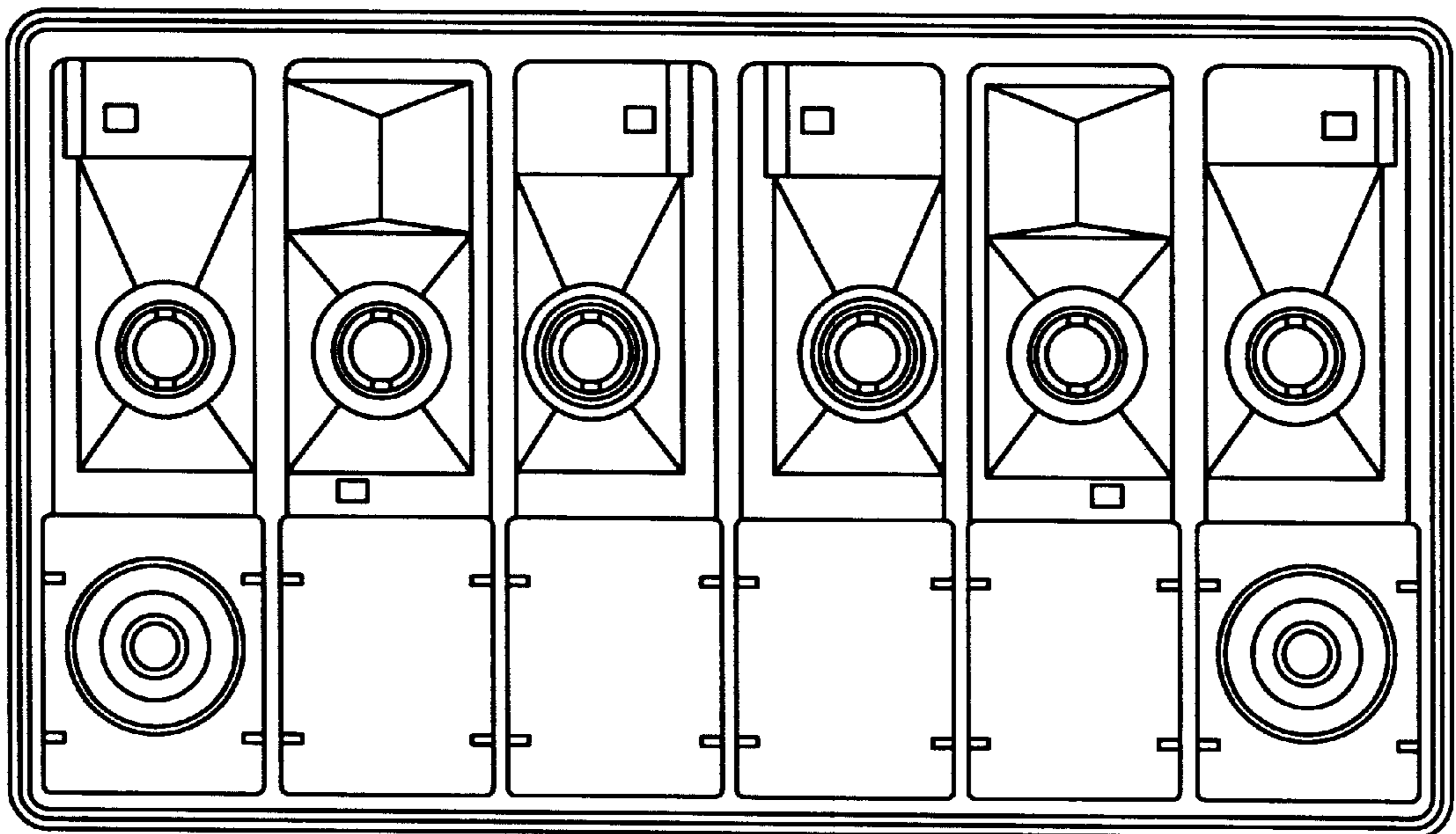
*Fig. 2*



*Fig. 3*



*Fig. 4*



*Fig. 5*