



US00D444765S

(12) **United States Design Patent**
Kolinen

(10) **Patent No.:** **US D444,765 S**

(45) **Date of Patent:** **** Jul. 10, 2001**

(54) **DESKTOP CHARGER WITH WALL STAND**

6,130,521 * 10/2000 Collins et al. 320/115

(75) Inventor: **Petteri Kolinen**, Helsinki (FI)

* cited by examiner

(73) Assignee: **Nokia Mobile Phones Ltd.**, Espoo (FI)

Primary Examiner—Joel Sincavage

(**) Term: **14 Years**

(74) *Attorney, Agent, or Firm*—Brian T. Rivers

(21) Appl. No.: **29/128,338**

(22) Filed: **Aug. 18, 2000**

(57) **CLAIM**

Applicant claims the ornamental design for a desktop charger with wall stand, as shown.

(30) **Foreign Application Priority Data**

Feb. 18, 2000 (FI) M000108

DESCRIPTION

(51) **LOC (7) Cl.** **13-02**

(52) **U.S. Cl.** **D13/107**

(58) **Field of Search** D13/107, 108;
D14/251, 253; 320/107-115

FIG. 1 is a perspective front view of the desktop charger with wall stand;

FIG. 2 is a perspective rear view thereof;

FIG. 3 is a perspective bottom view thereof;

FIG. 4 is a front view thereof;

FIG. 5 is a bottom plan view thereof;

FIG. 6 is a right side view thereof;

FIG. 7 is a top plan thereof;

FIG. 8 is a left side view thereof; and,

FIG. 9 is a rear view thereof.

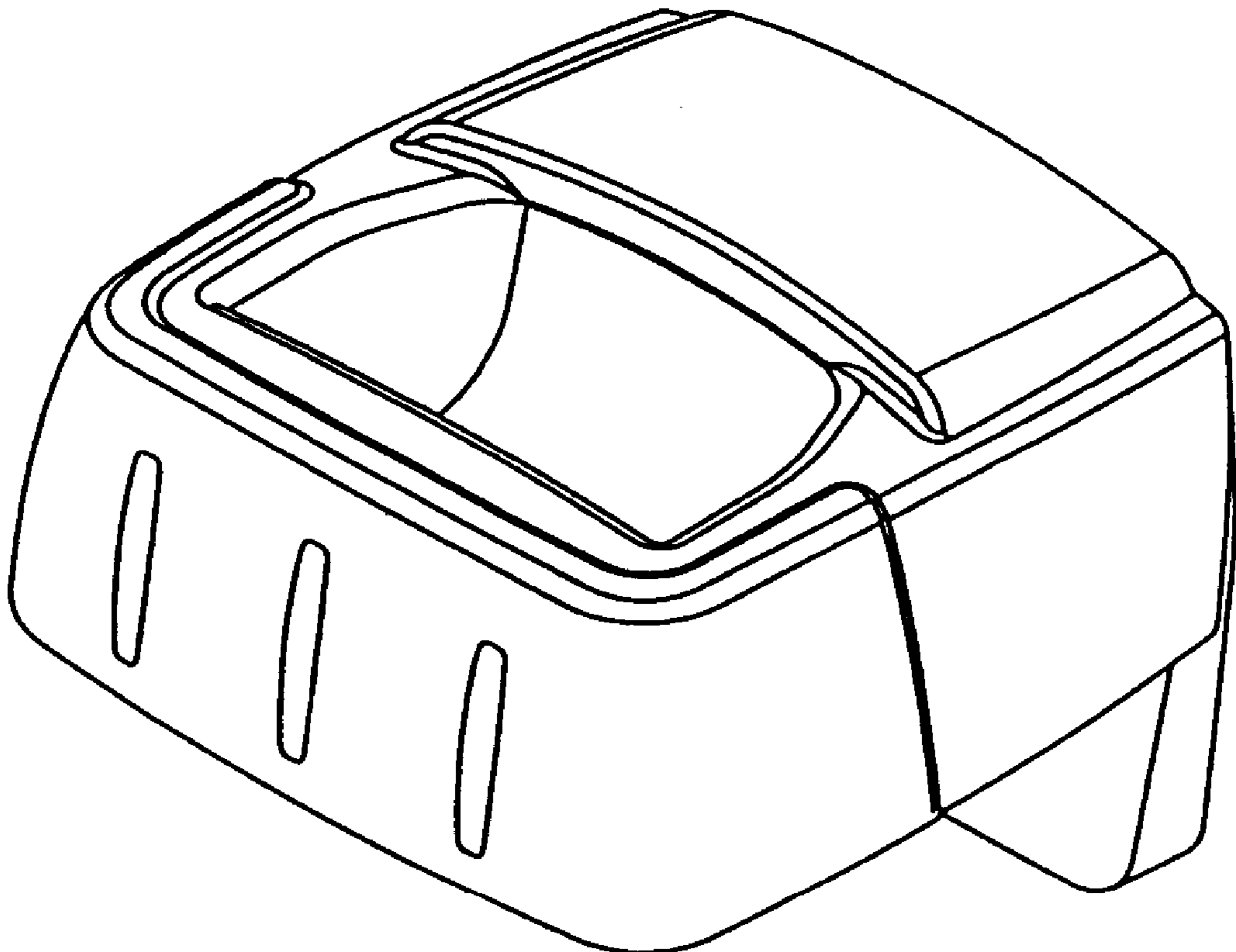
(56) **References Cited**

U.S. PATENT DOCUMENTS

D. 389,159 * 1/1998 Patterson et al. D14/253

D. 418,108 * 12/1999 Snider D13/108

1 Claim, 2 Drawing Sheets



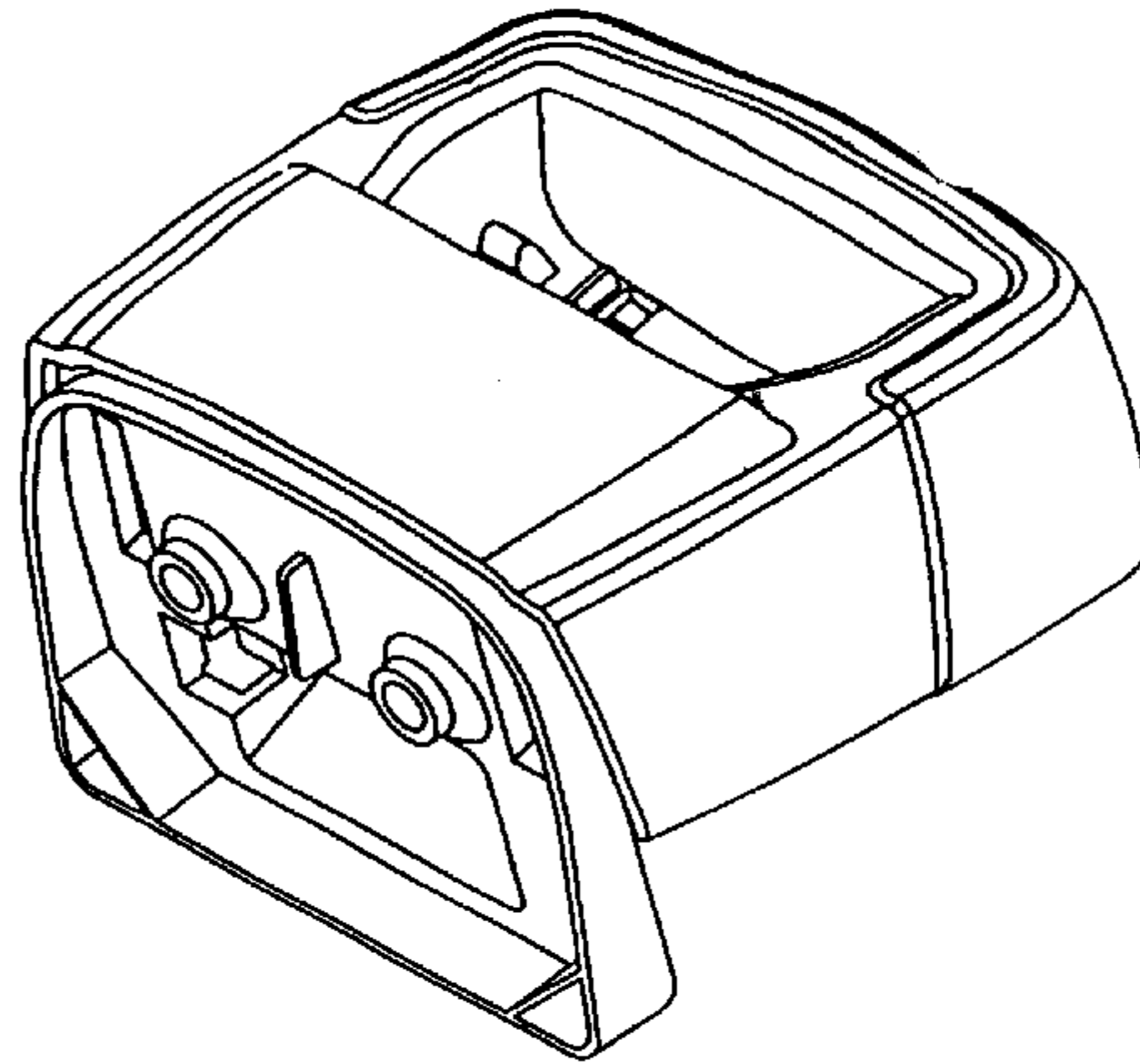


Fig. 1

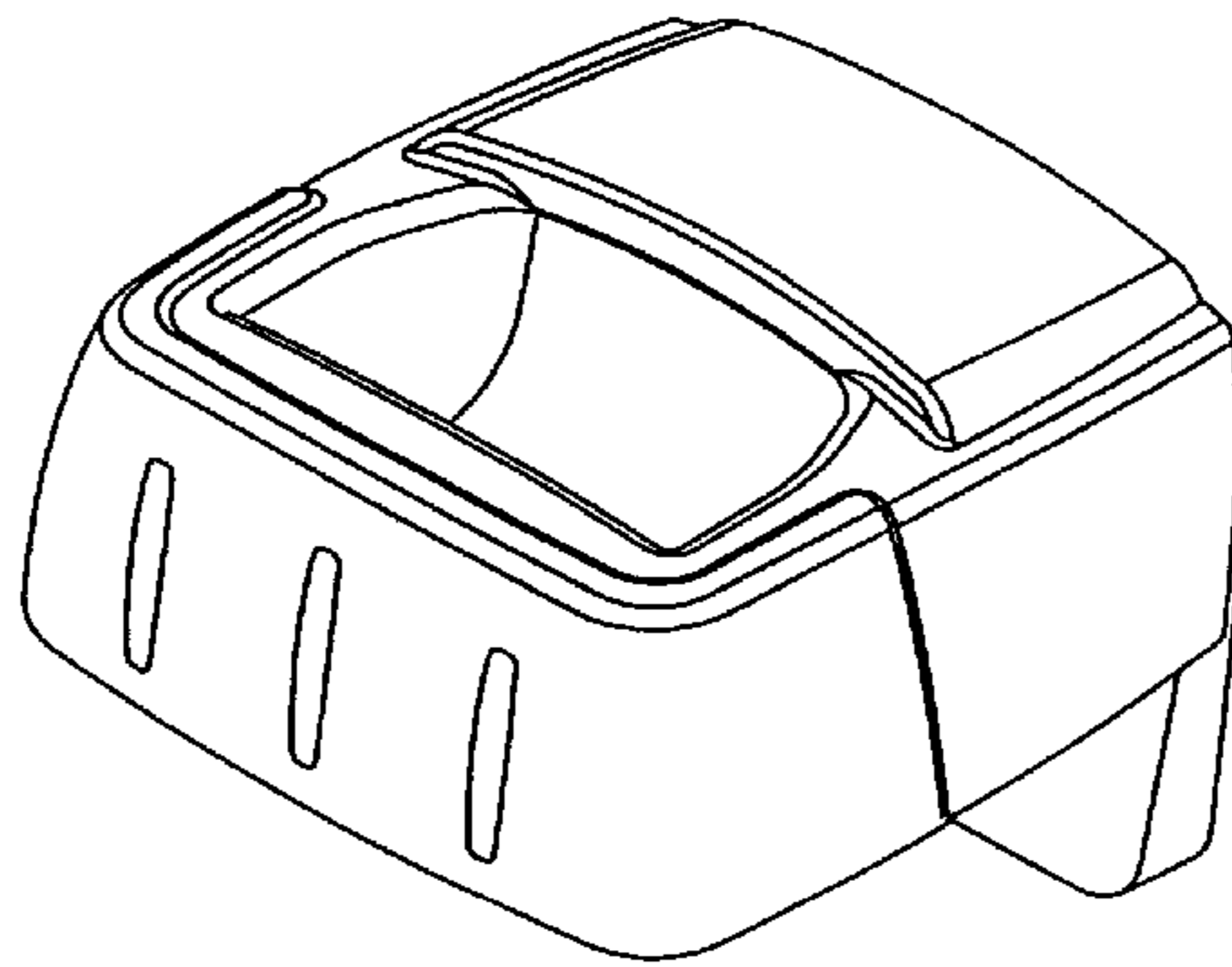


Fig. 2

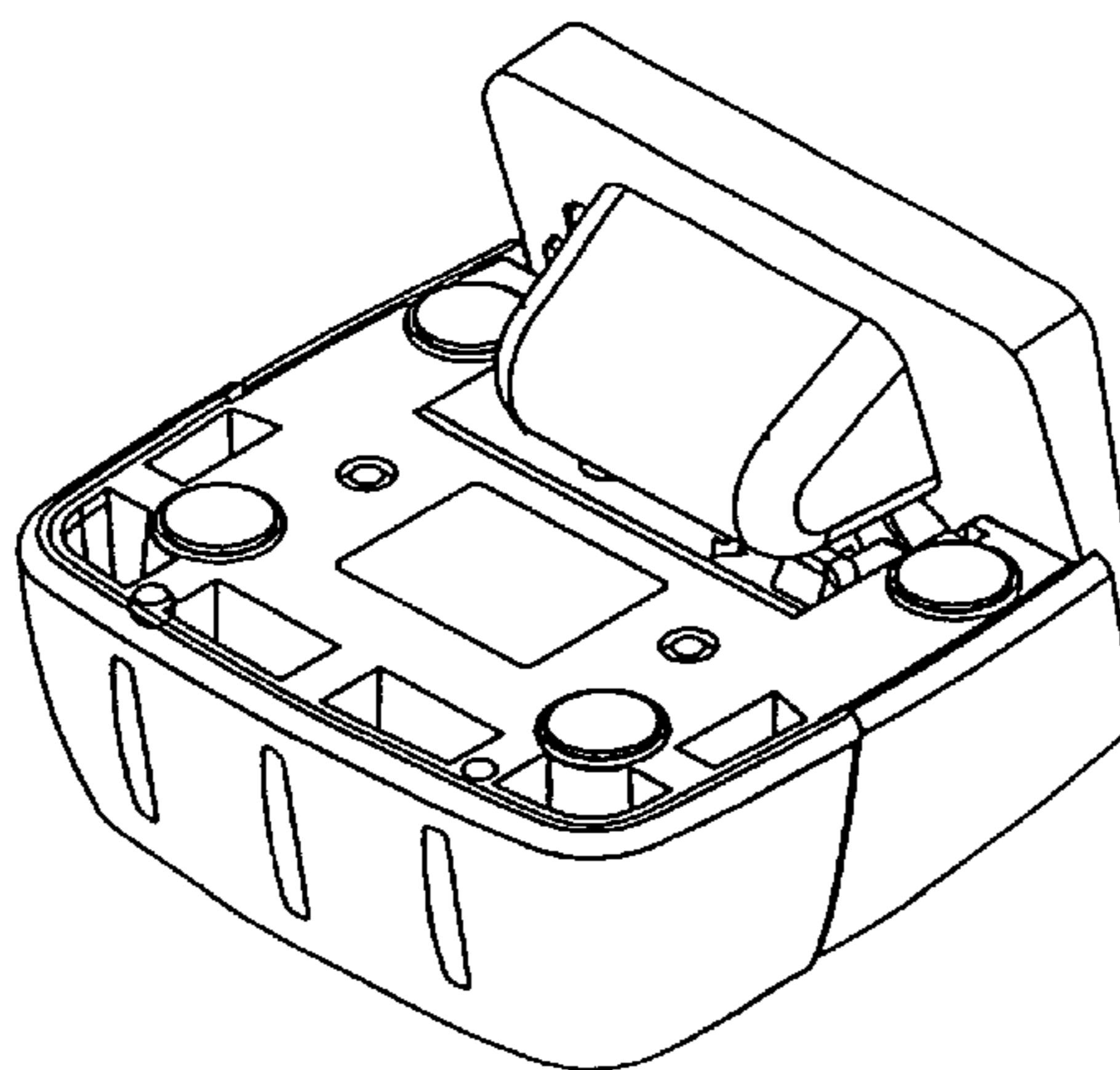


Fig. 3

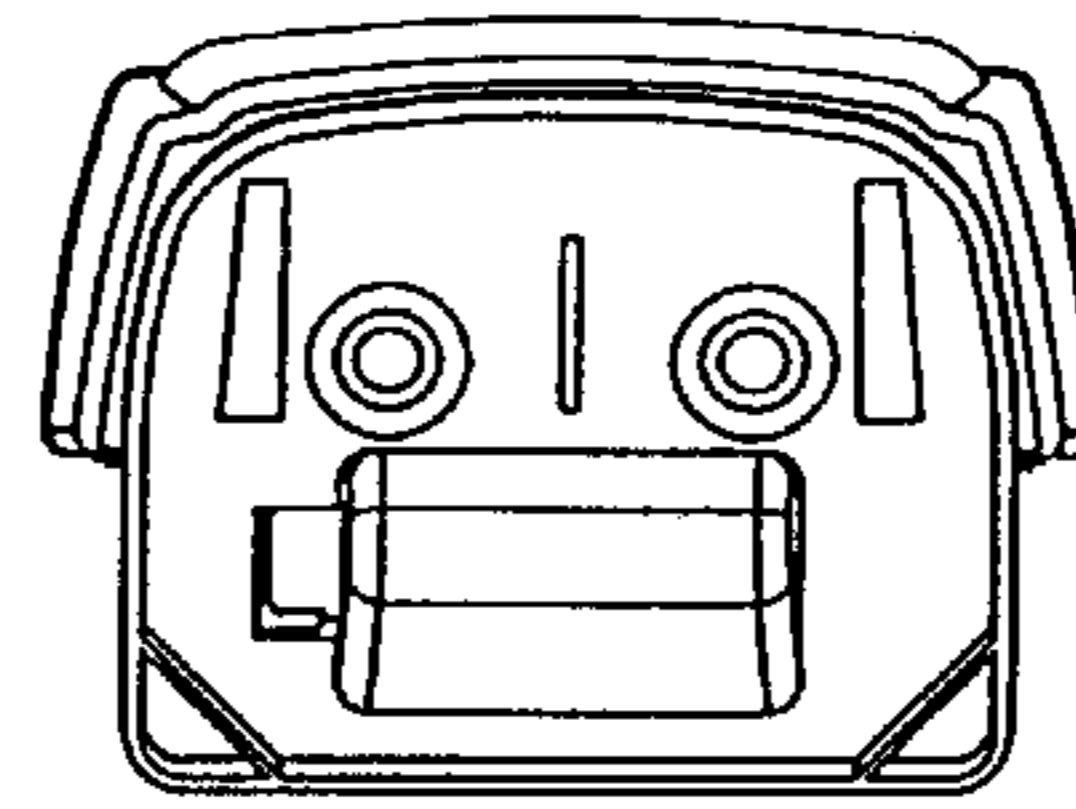


Fig. 4

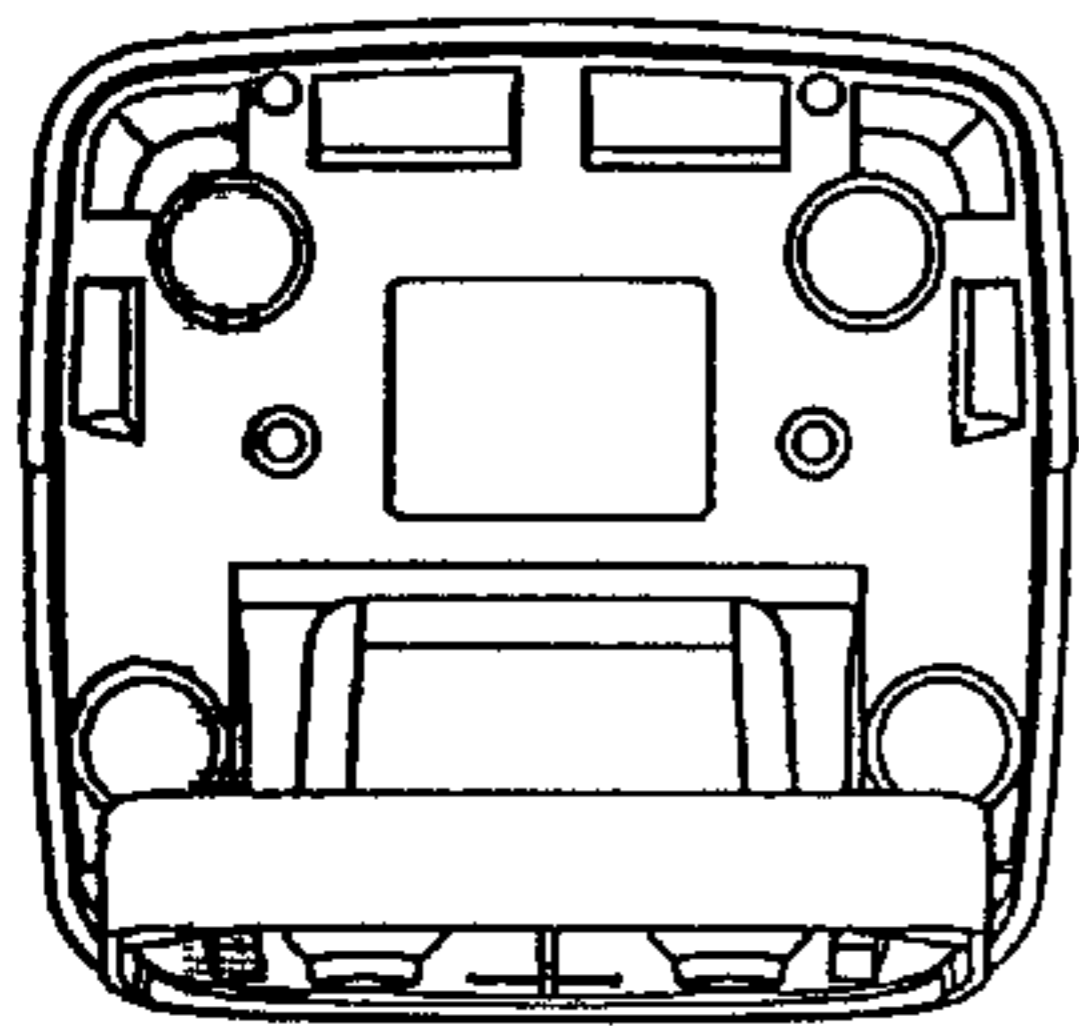


Fig. 5

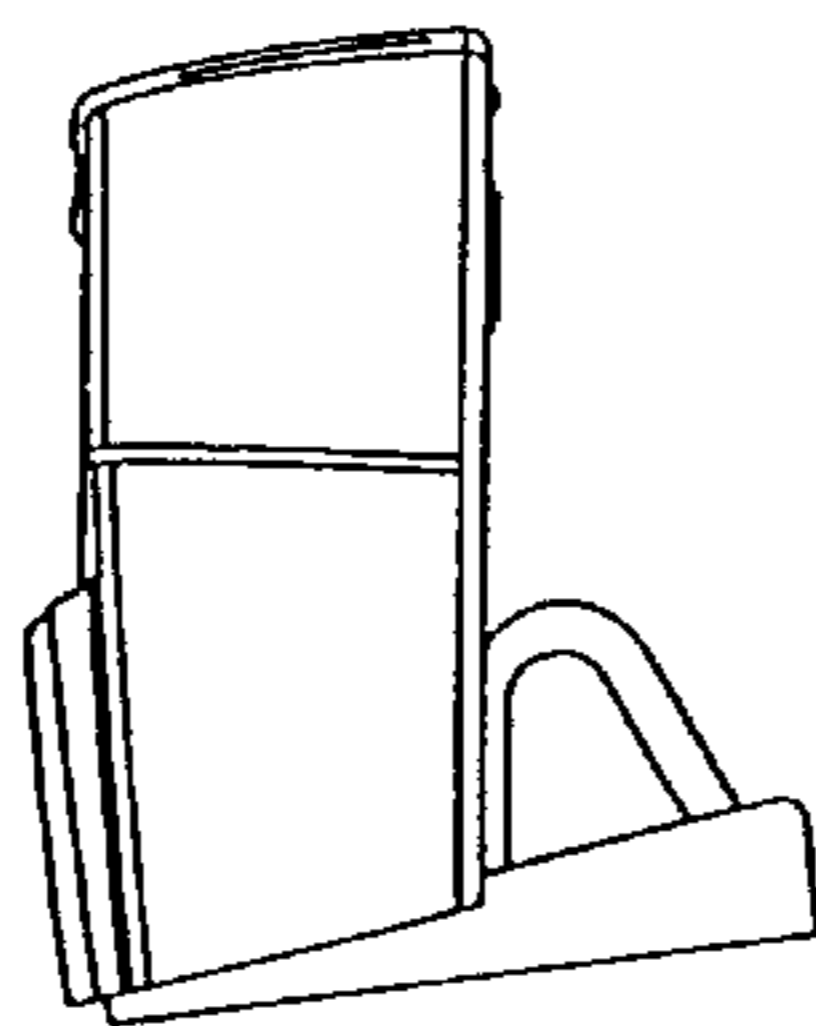


Fig. 6

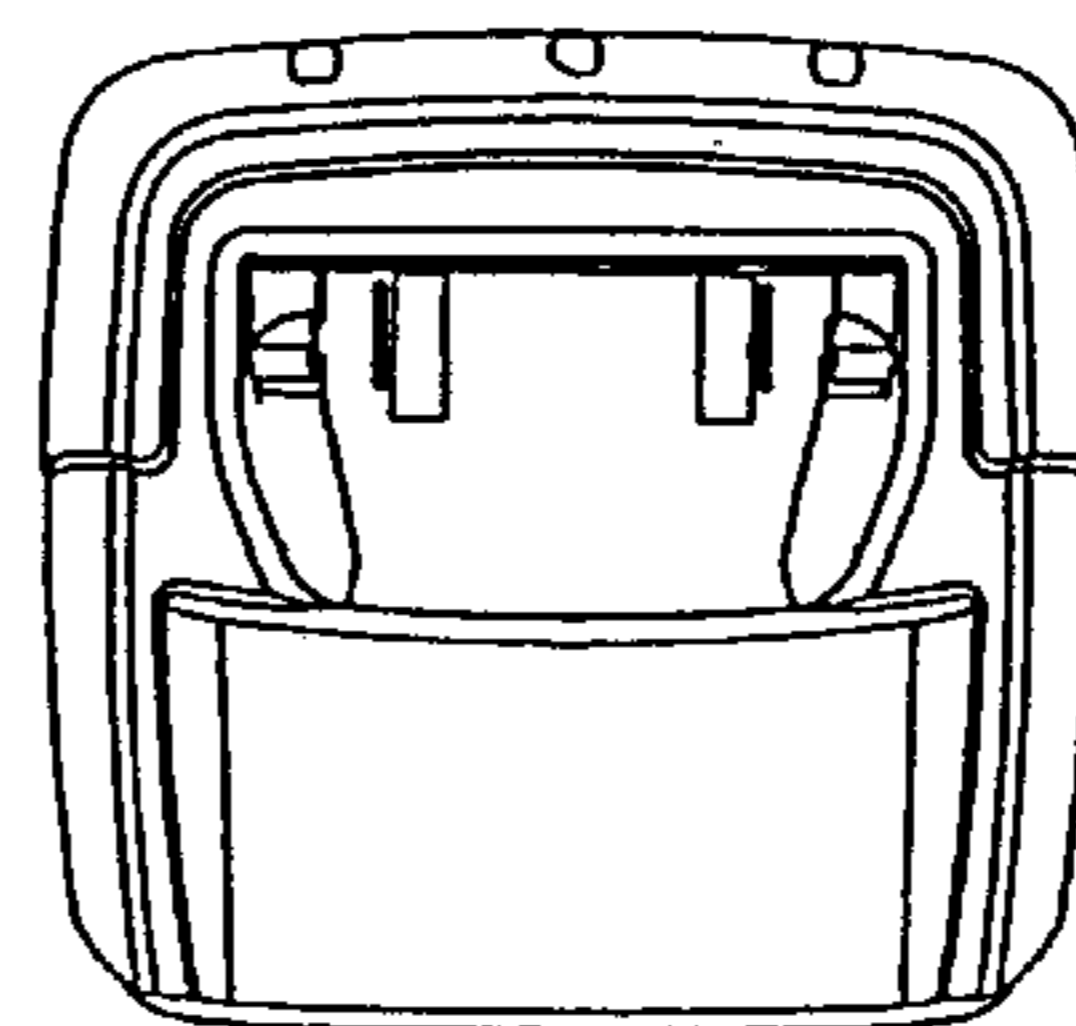


Fig. 7

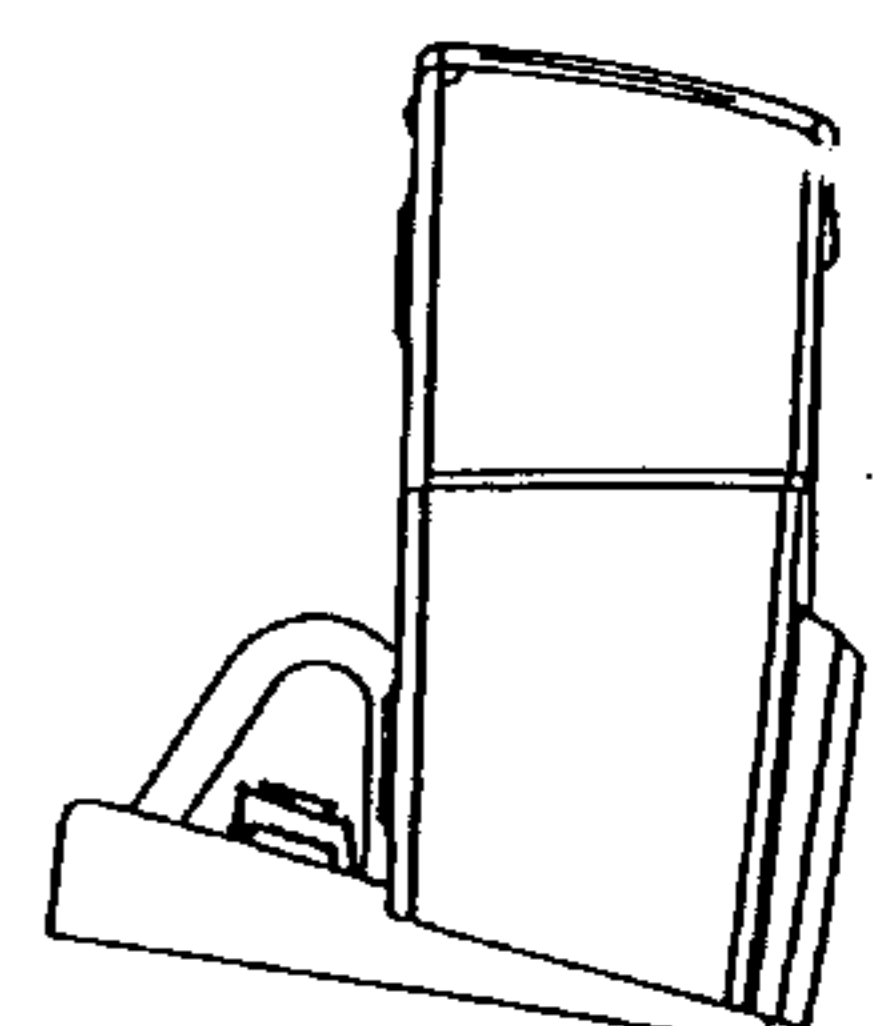


Fig. 8

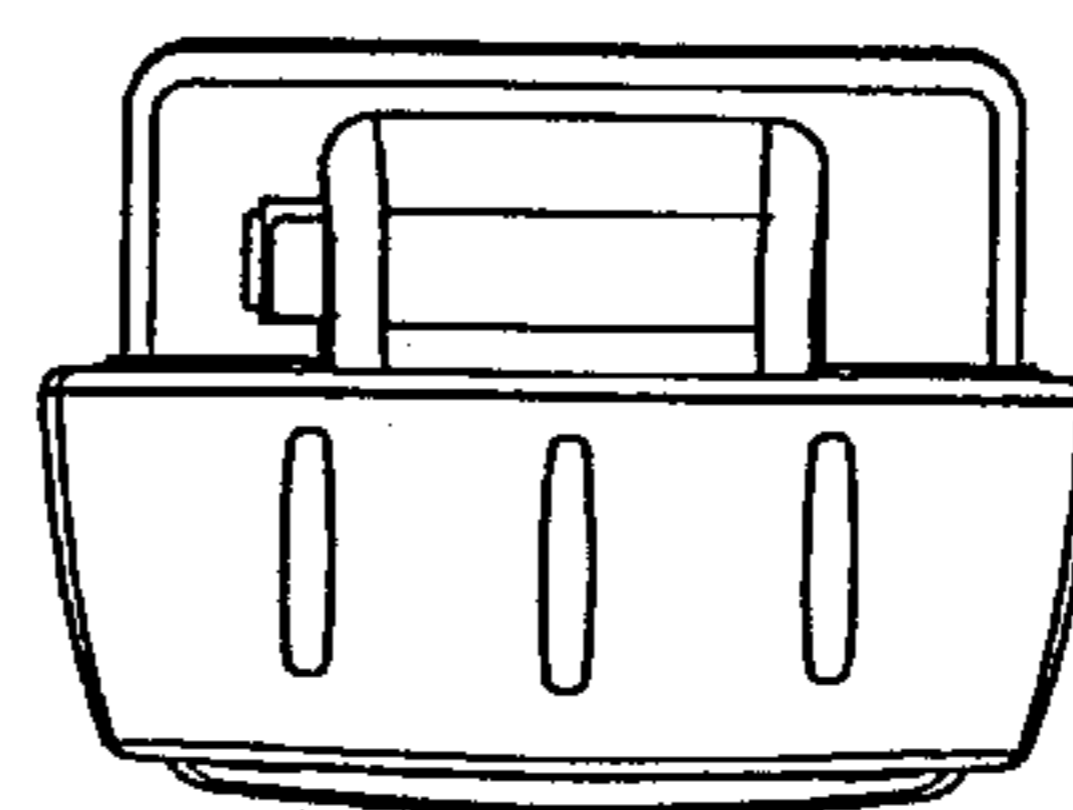


Fig. 9