



US00D444764S

(12) **United States Design Patent**
So

(10) **Patent No.:** **US D444,764 S**

(45) **Date of Patent:** **** Jul. 10, 2001**

(54) **RACK FOR VEHICLES**

(75) **Inventor:** **Moon-Lam So, Kowloon (HK)**

(73) **Assignee:** **May Cheong Toy Products Factory Ltd., Hong Kong (HK)**

(**) **Term:** **14 Years**

(21) **Appl. No.:** **29/113,249**

(22) **Filed:** **Nov. 2, 1999**

(51) **LOC (7) Cl.** **12-16**

(52) **U.S. Cl.** **D12/406**

(58) **Field of Search** D12/400, 406,
D12/412, 414, 426; 296/3, 100, 37.1, 37.7;
224/309-310; 314/315, 323-329, 321, 400-405,
492, 496; 280/760, 848, 727, 762, 769;
D6/552, 556-557, 574; D3/304-306

(56) **References Cited**

U.S. PATENT DOCUMENTS

- D. 181,747 * 12/1957 Pawly et al. D12/406
- D. 181,748 * 12/1957 Pawly et al. D12/406
- D. 182,705 * 5/1958 Binding D12/406
- D. 246,238 * 11/1977 Boas D12/406
- D. 262,698 * 1/1982 Hagist D12/406
- D. 288,193 * 2/1987 Caron D12/406
- D. 307,253 * 4/1990 Roberts et al. D12/406

- D. 329,414 * 9/1992 Herzig D12/406
- D. 363,460 * 10/1995 Marshall D12/406
- D. 370,886 * 6/1996 Lombard D12/414
- D. 377,164 * 1/1997 McPeck et al. D12/426
- D. 397,322 * 8/1998 Tobin D12/414
- D. 418,106 * 12/1999 Leitner et al. D12/414
- D. 434,369 * 11/2000 Matthies D12/426
- D. 435,510 * 12/2000 Quidort D12/412

* cited by examiner

Primary Examiner—Stacia Cadmus

(74) *Attorney, Agent, or Firm*—Alix, Yale & Ristas, LLP

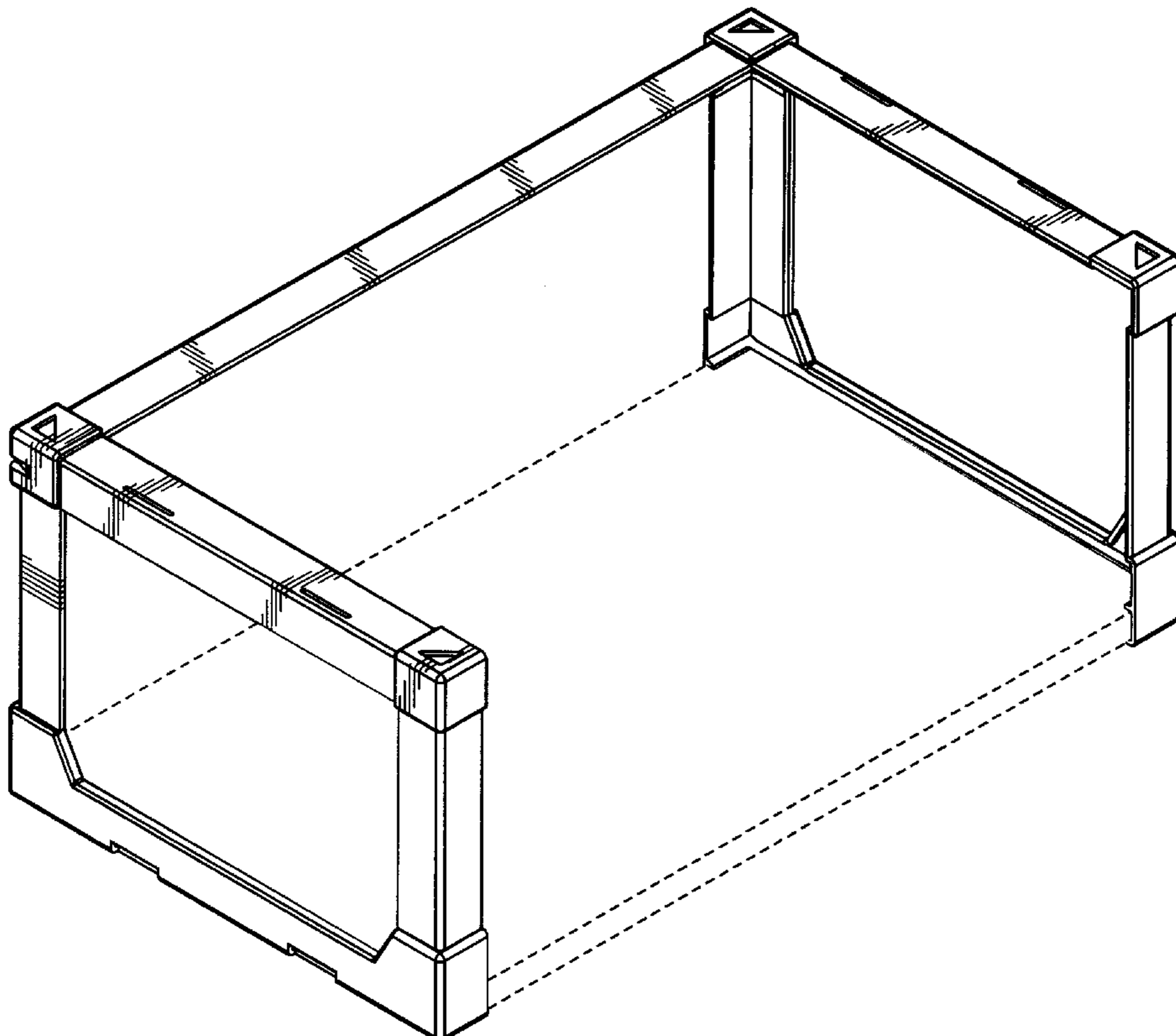
(57) **CLAIM**

The ornamental design for a rack for vehicles, as shown and described.

DESCRIPTION

FIG. 1 is a perspective view of a rack for vehicles showing my new design;
 FIG. 2 is a front elevational view thereof;
 FIG. 3 is a rear elevational view thereof;
 FIG. 4 is a left side elevational view thereof;
 FIG. 5 is a right side elevational view thereof;
 FIG. 6 is a top plan view thereof; and,
 FIG. 7 is a bottom plan view thereof.
 The broken line showing of environment is for illustrative purposes only and forms no part of the claimed design.

1 Claim, 4 Drawing Sheets



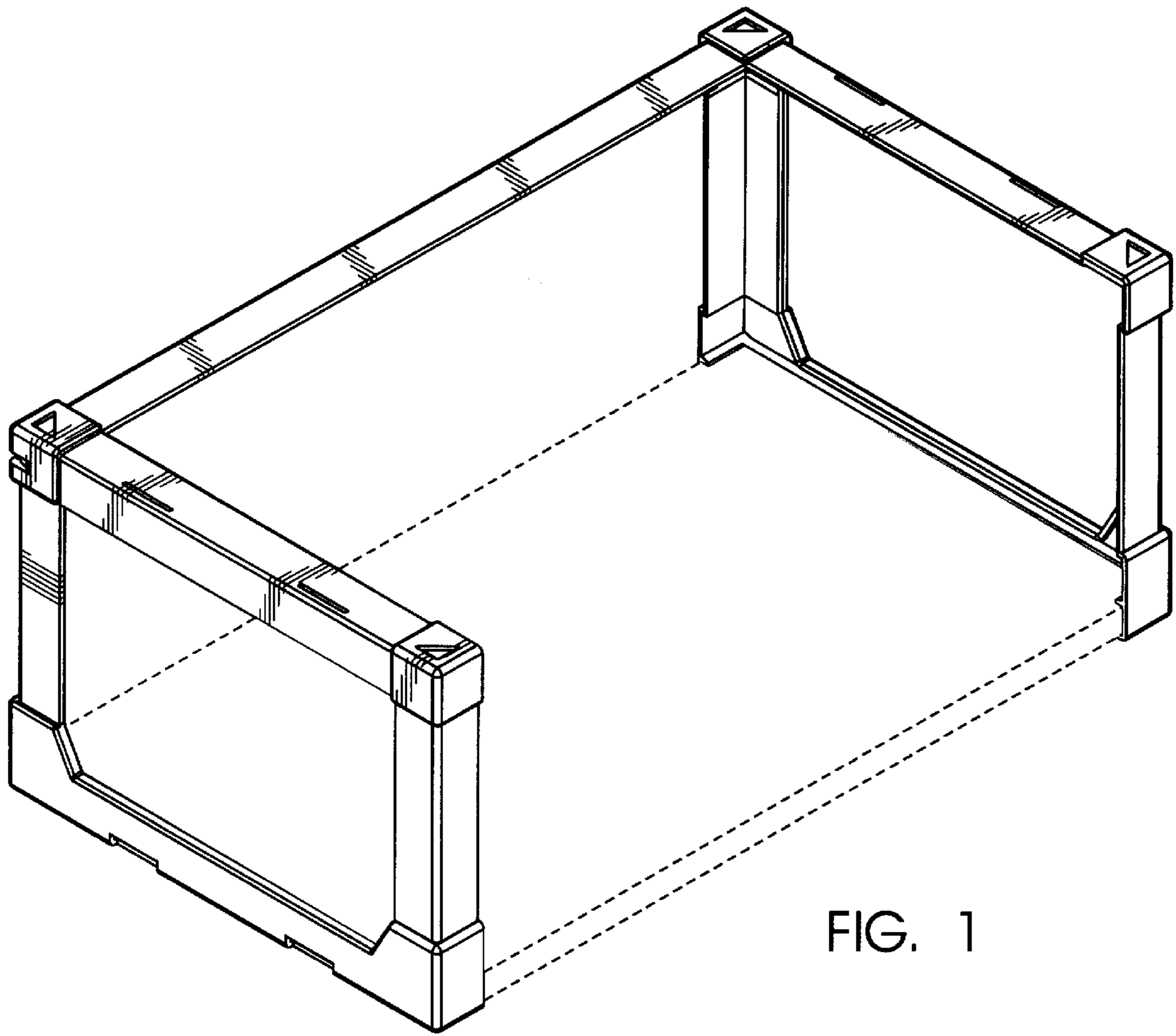


FIG. 1

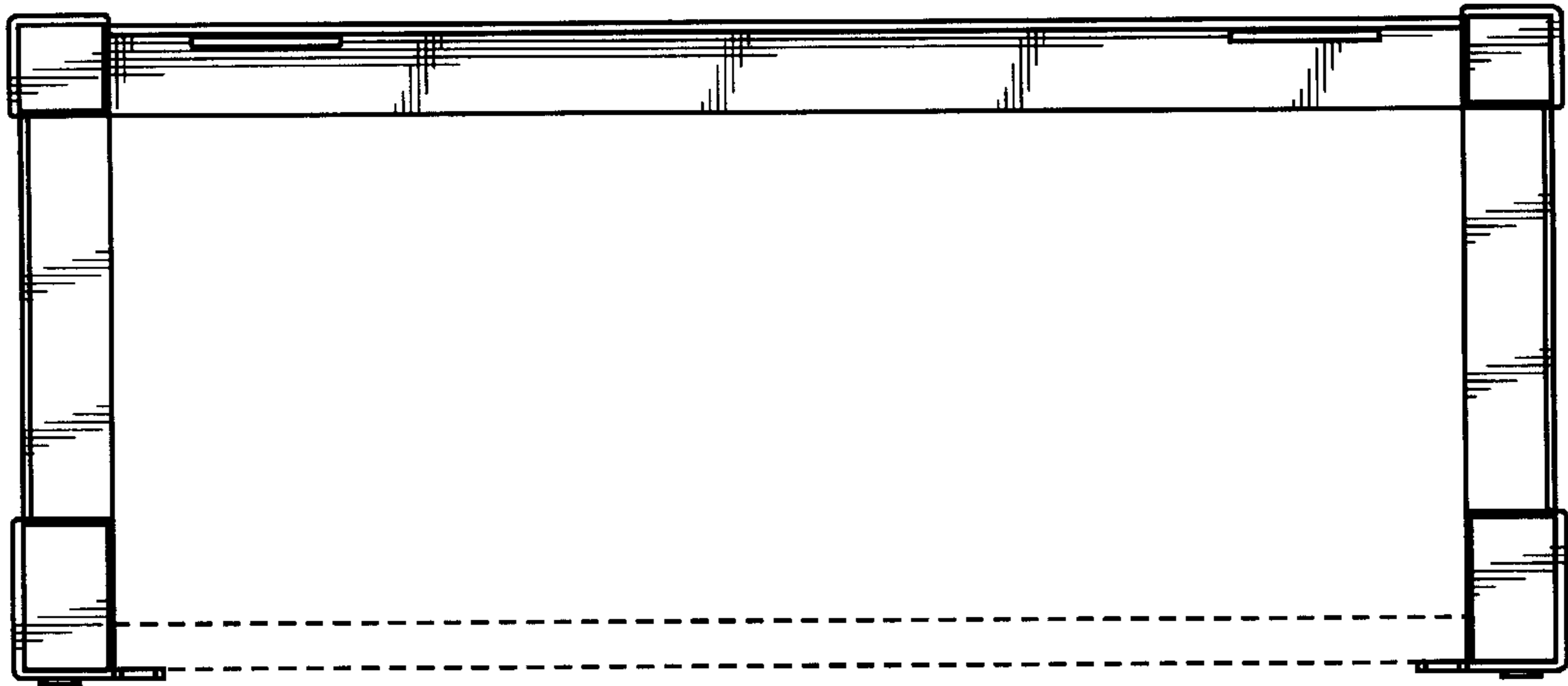


FIG. 2

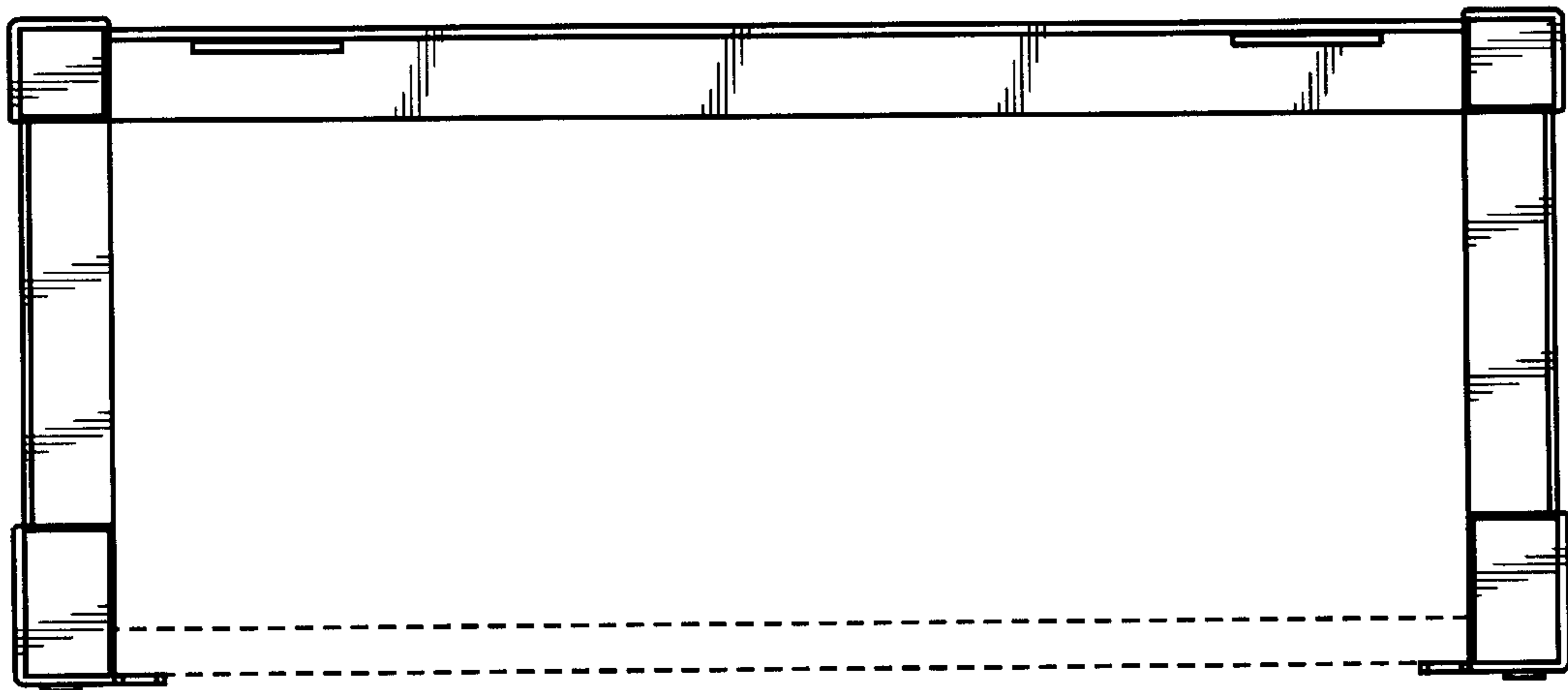


FIG. 3

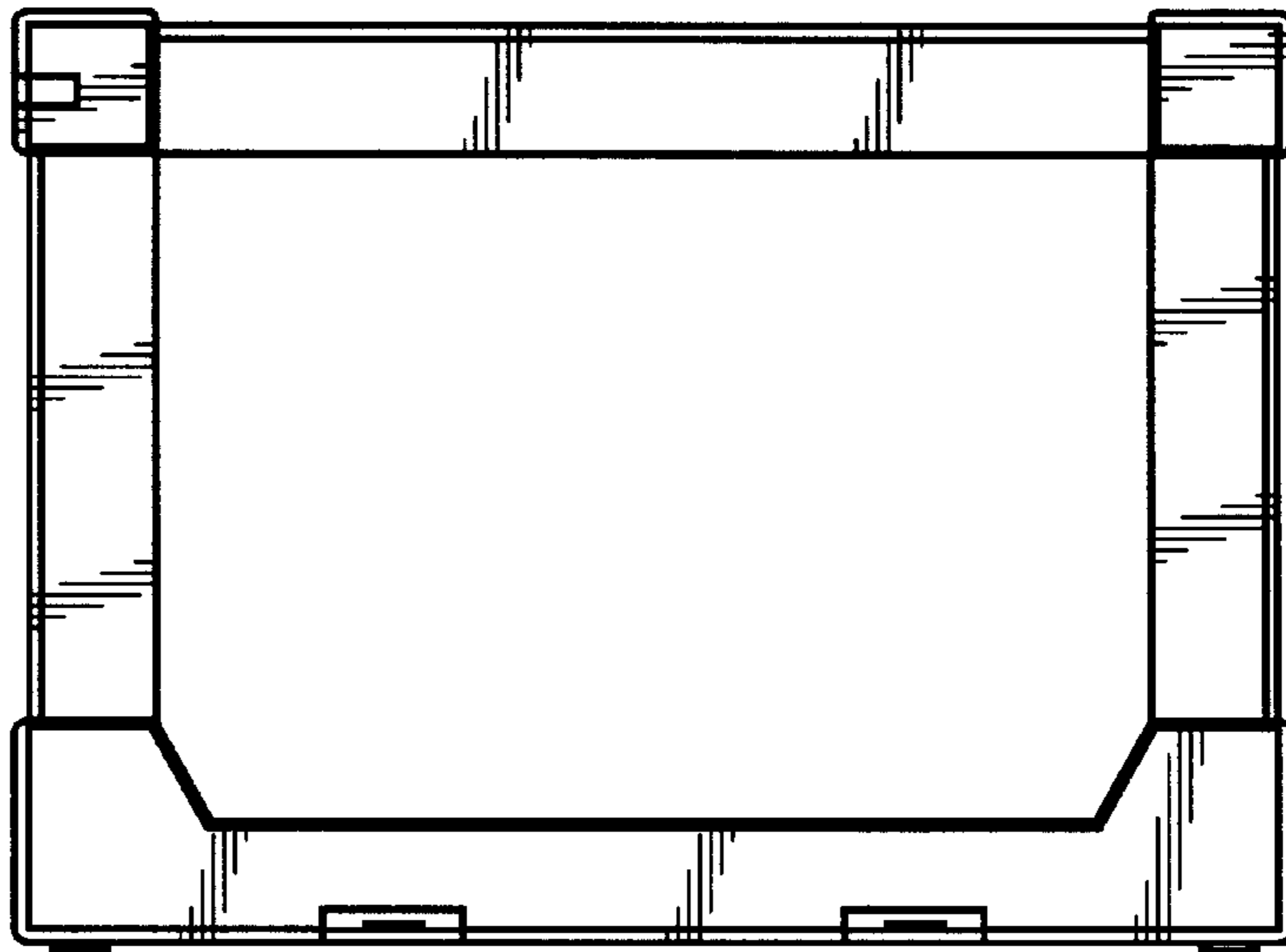


FIG. 4

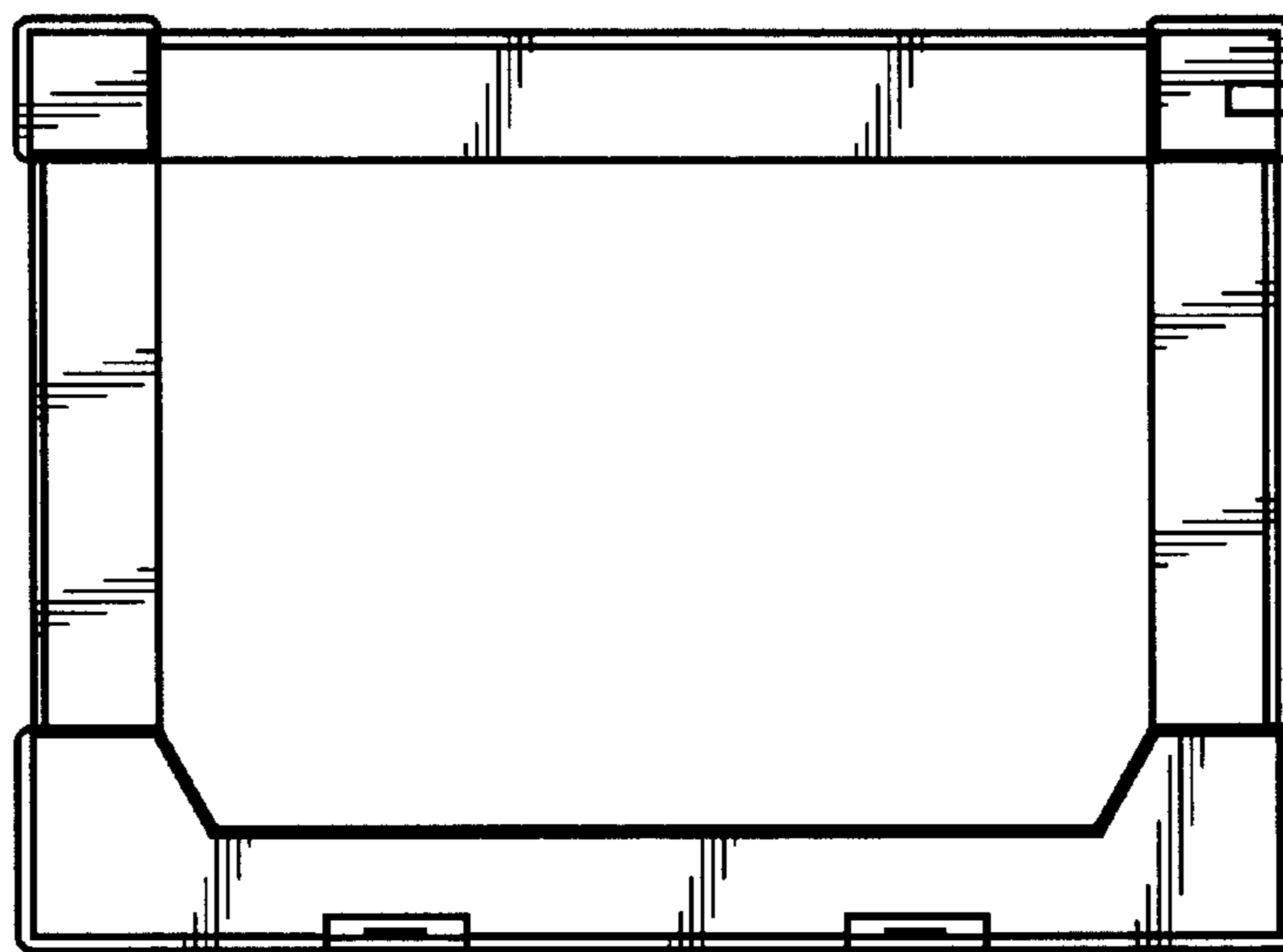


FIG. 5

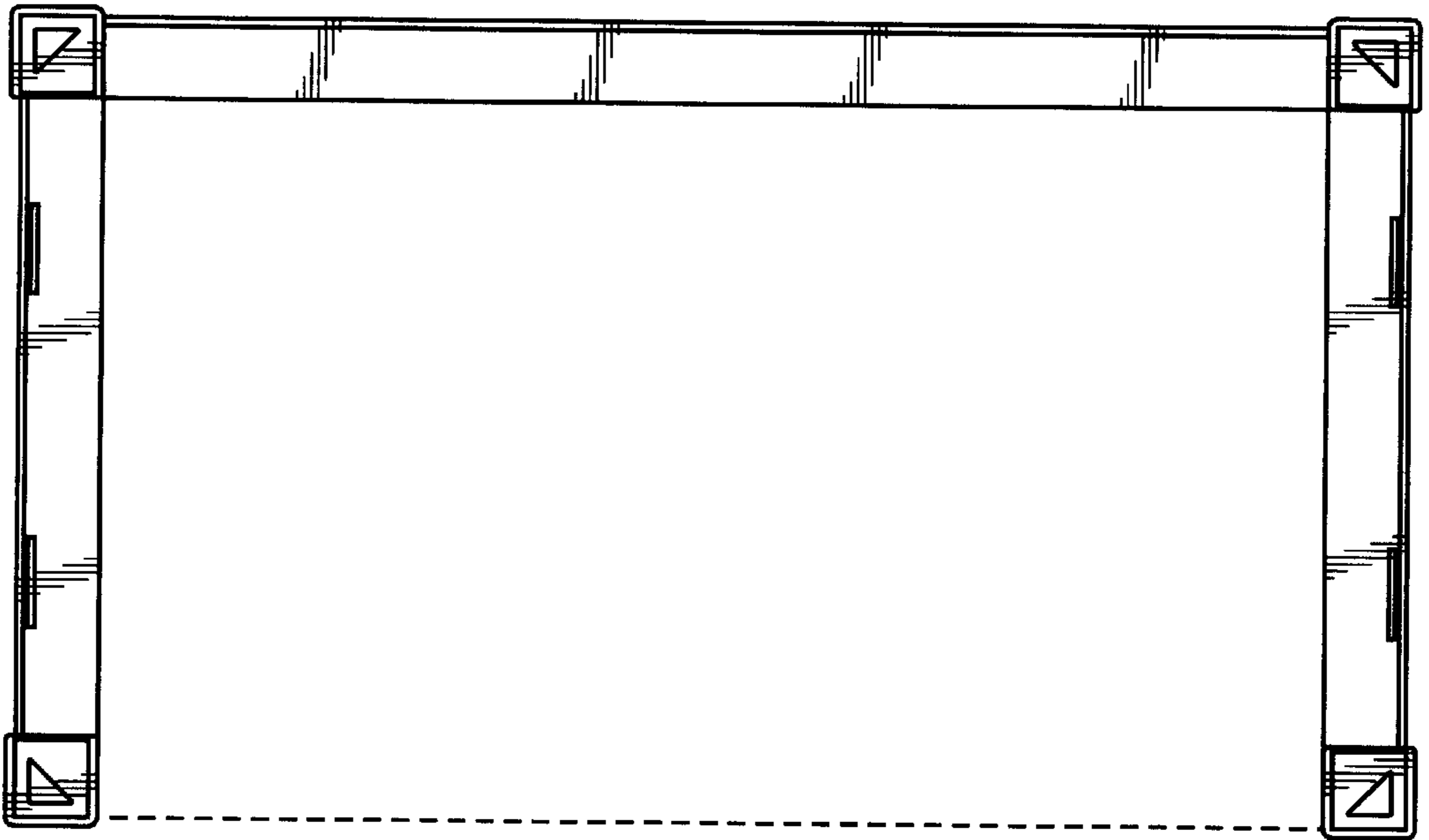


FIG. 6

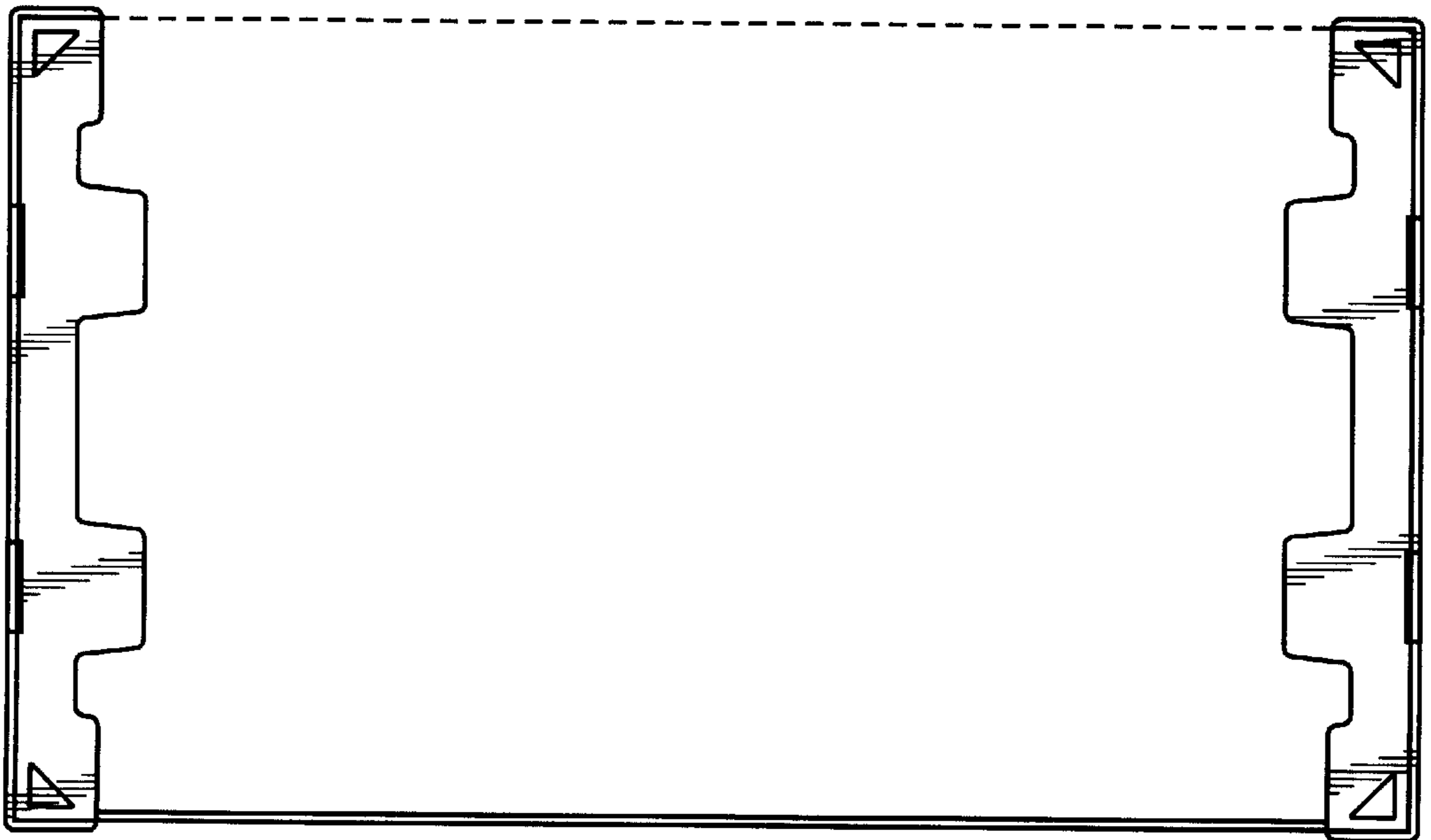


FIG. 7