



US00D444763S

(12) **United States Design Patent**  
**Draine**

(10) **Patent No.:** **US D444,763 S**

(45) **Date of Patent:** **\*\* Jul. 10, 2001**

(54) **RETRACTABLE COVER FOR TOOL BOX MOUNTED IN A TRUCK BED**

3,489,456 \* 1/1970 Klanke ..... D12/401 X

\* cited by examiner

(76) **Inventor:** **Philip B. Draine**, 1812 Norberry St. E.,  
Lancaster, CA (US) 93535

*Primary Examiner*—Stacia Cadmus

(74) *Attorney, Agent, or Firm*—Willie Krawitz

(\*\*) **Term:** **14 Years**

(57) **CLAIM**

(21) **Appl. No.:** **29/135,255**

The ornamental design for a retractable cover for tool box mounted in a truck bed, as shown and described.

(22) **Filed:** **Jan. 9, 2001**

**DESCRIPTION**

(51) **LOC (7) Cl.** ..... **12-16**

(52) **U.S. Cl.** ..... **D12/401**

(58) **Field of Search** ..... D12/401, 406,  
D12/412, 414.1, 415, 423; 296/98-100,  
100.1-101; 160/26, 33, 32, 36, 133

FIG. 1 is a top plan view of a retractable cover for tool box mounted in a truck bed, in a closed position and assembled for transportation, showing my design;

FIG. 2 is a cross-sectional view taken along lines 2—2 of FIG. 1, thereof;

FIG. 3 is a right side elevation view thereof;

FIG. 4 is a front elevation view thereof;

FIG. 5 is a rear elevation view thereof;

FIG. 6 is a bottom plan view thereof; and,

FIG. 7 is a perspective view of the device in open position, thereof.

The broken line showing of environment is for illustrative purposes only and forms no part of the claimed design.

(56) **References Cited**

**U.S. PATENT DOCUMENTS**

- D. 310,987 \* 10/1990 Law et al. .... D12/401
- D. 343,602 \* 1/1994 Brown ..... D12/401
- D. 365,080 \* 12/1995 Loughlin ..... D12/401
- D. 403,292 \* 12/1998 Bogard ..... D12/401
- D. 421,736 \* 3/2000 Bogard ..... D12/401
- D. 424,509 \* 5/2000 Meyers ..... D12/401
- D. 434,361 \* 11/2000 Block et al. .... D12/401

**1 Claim, 2 Drawing Sheets**

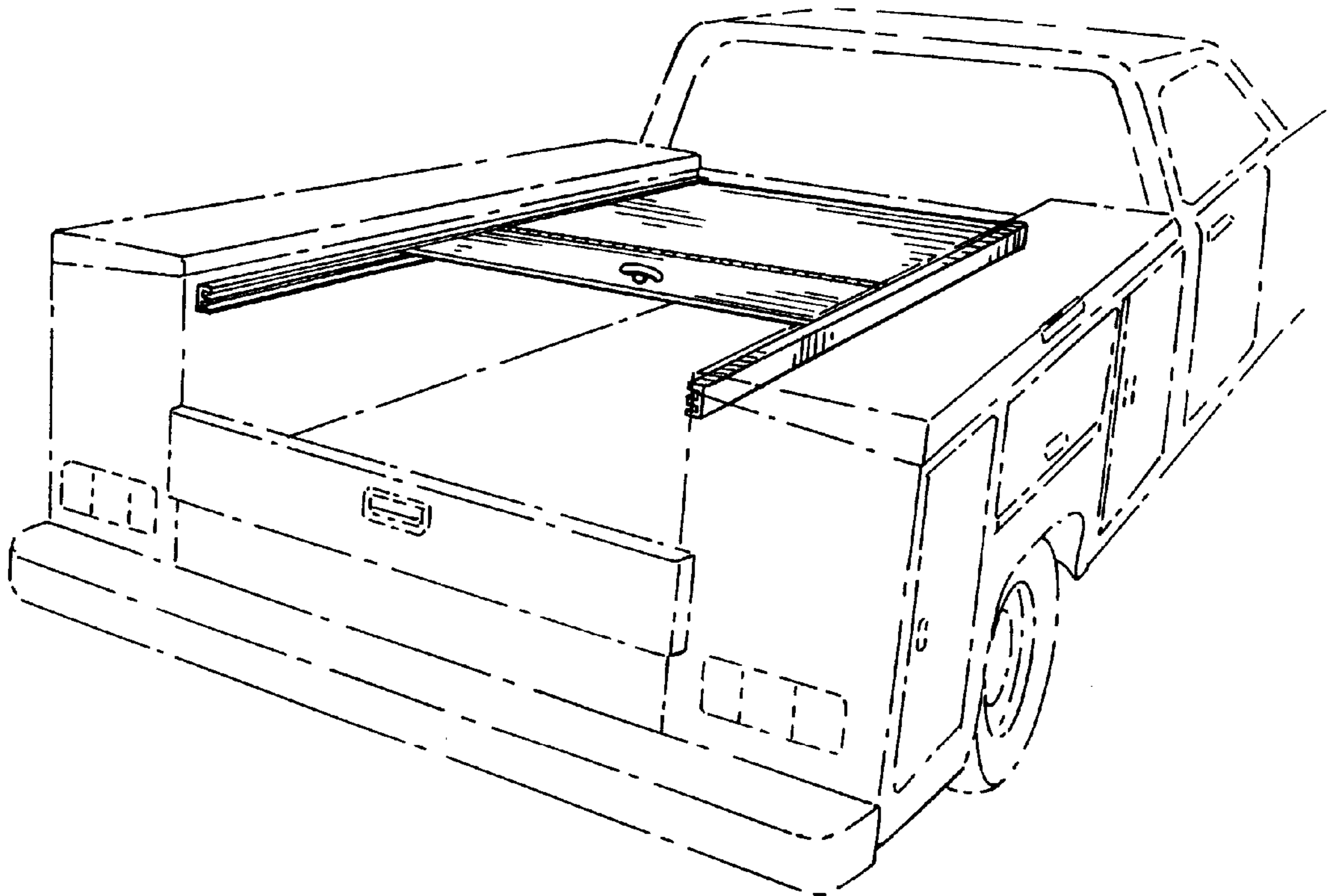


FIG. 1

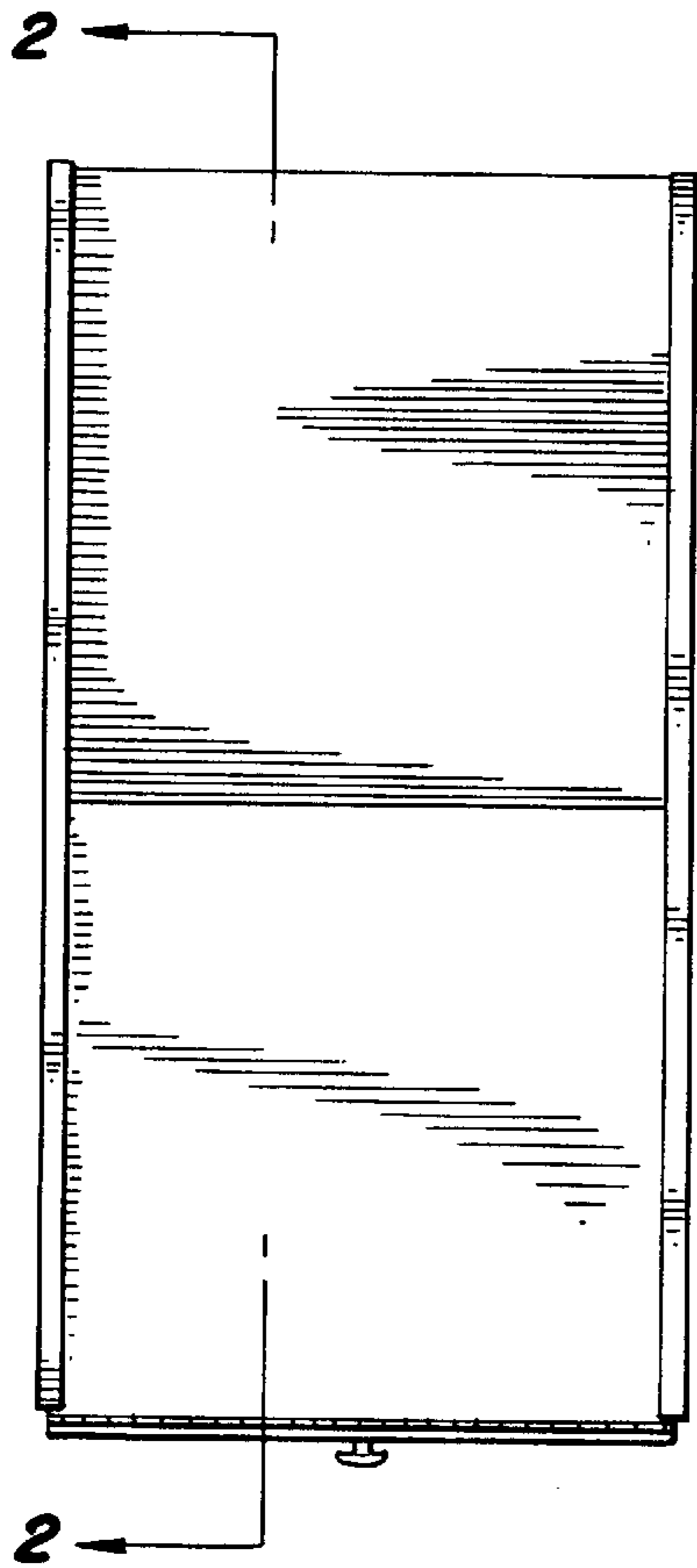


FIG. 2

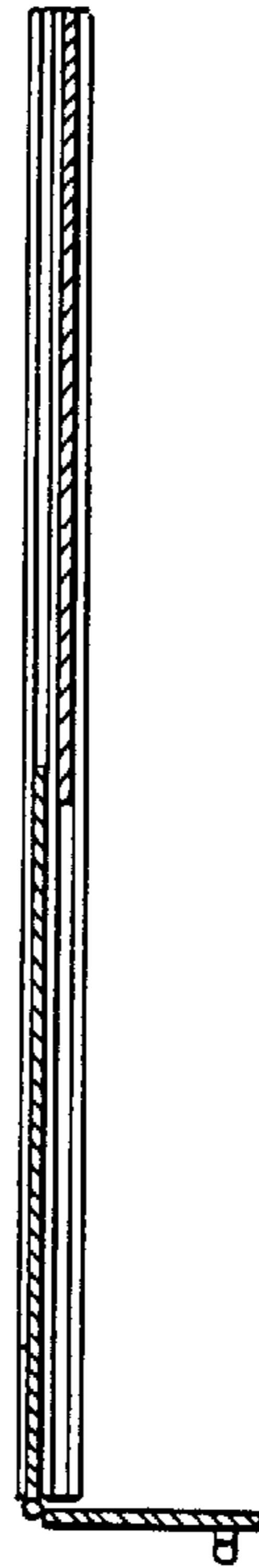


FIG. 3

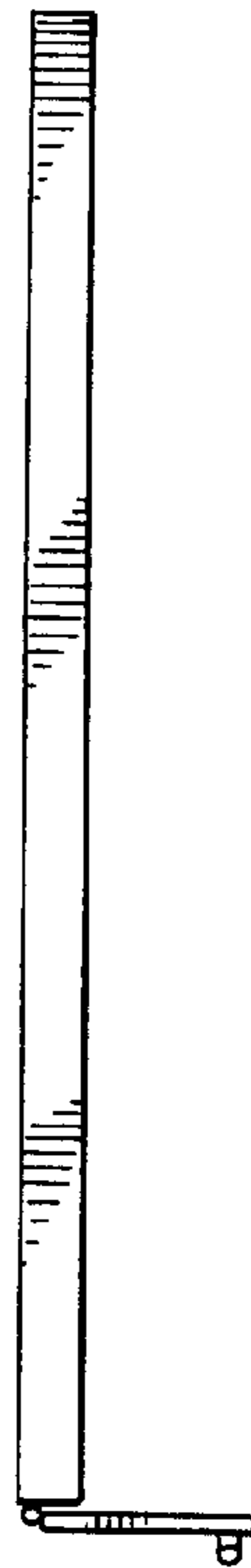


FIG. 4

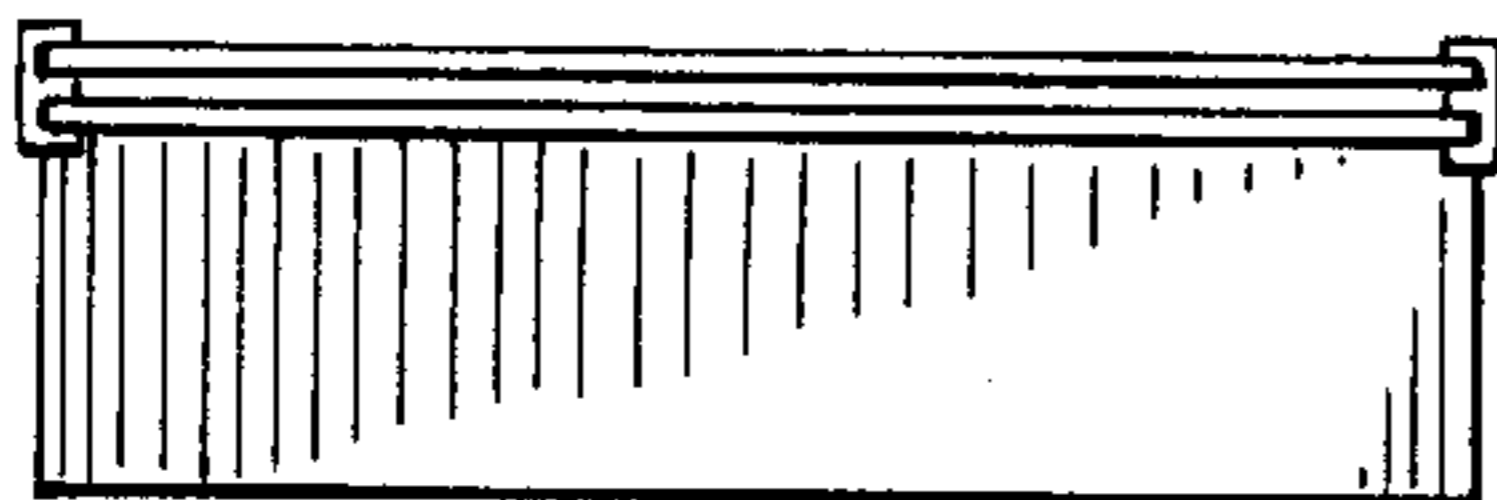


FIG. 5

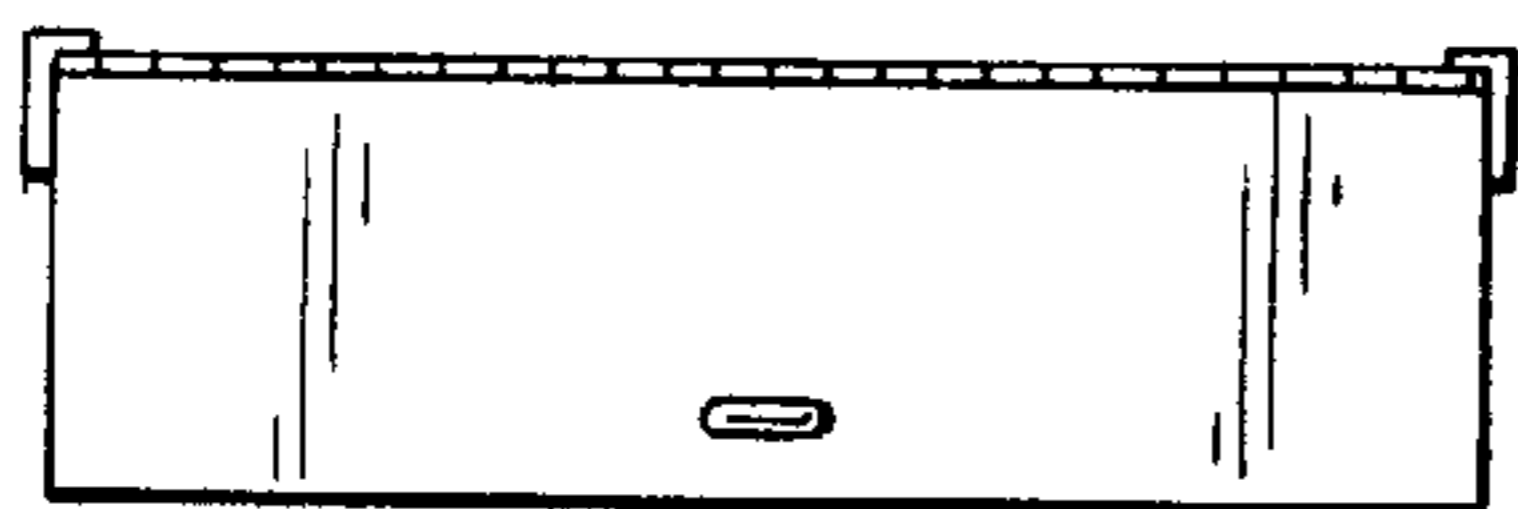
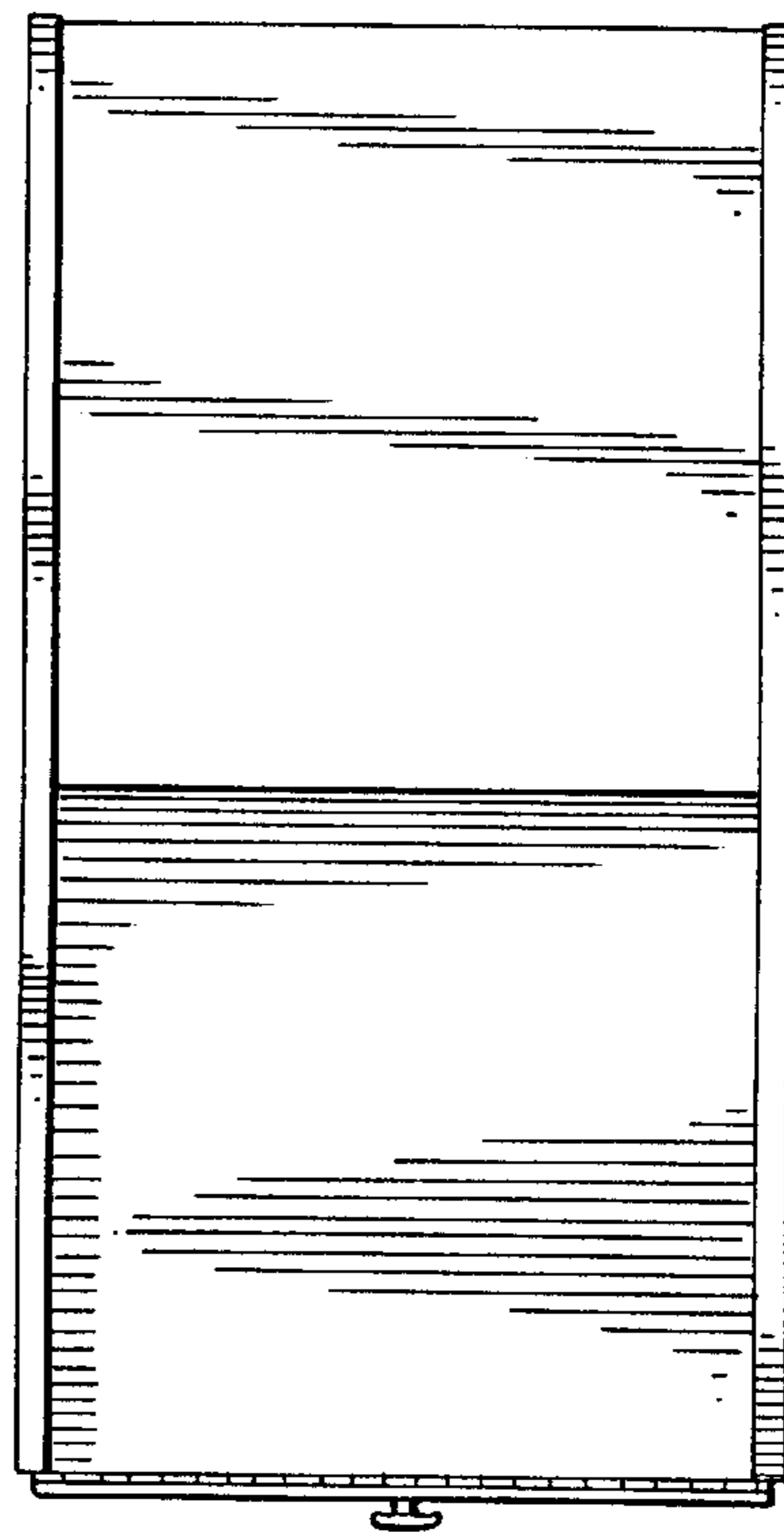
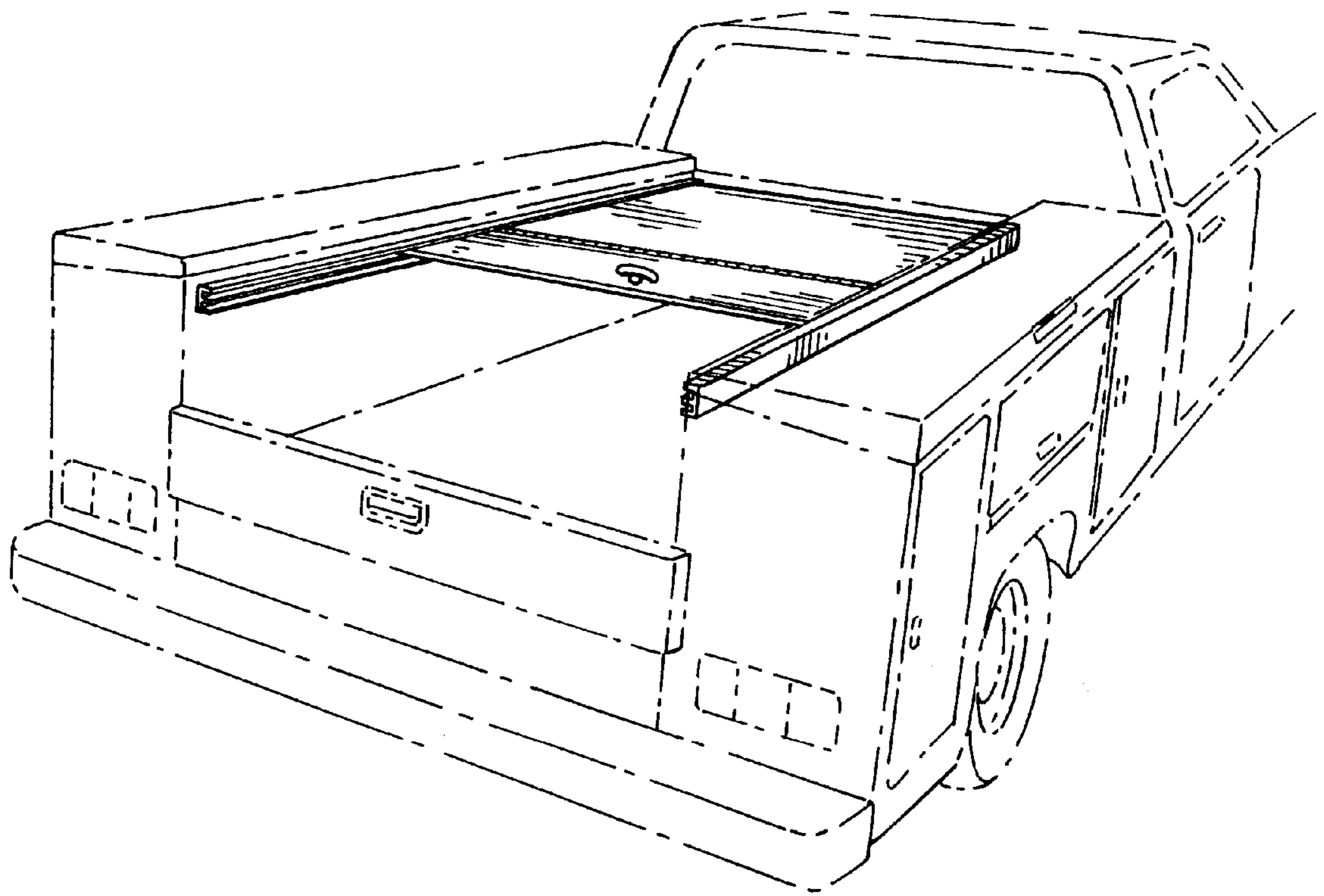


FIG. 6





*FIG. 7*