



US00D444761S

(12) **United States Design Patent**  
**Momoi et al.**

(10) **Patent No.:** **US D444,761 S**

(45) **Date of Patent:** **\*\* Jul. 10, 2001**

(54) **WATER SCOOTER**

(75) Inventors: **Teruhito Momoi, Akashi; Masaharu Nobori, Kobe, both of (JP)**

(73) Assignee: **Kawasaki Jukogyo Kabushiki Kaisha, Kobe (JP)**

(\*\*) Term: **14 Years**

(21) Appl. No.: **29/117,467**

(22) Filed: **Jan. 26, 2000**

(30) **Foreign Application Priority Data**

Jul. 30, 1999 (JP) ..... 11-20756

(51) **LOC (7) Cl.** ..... **12-06**

(52) **U.S. Cl.** ..... **D12/307; D12/300**

(58) **Field of Search** ..... **D12/300-318; 114/270, 271, 56**

(56) **References Cited**

**U.S. PATENT DOCUMENTS**

D. 340,221 \* 10/1993 Krieger et al. .... D12/307

D. 343,160 \* 1/1994 LePointe ..... D12/307

D. 350,325 \* 9/1994 Mardikian ..... D12/307

D. 359,265 \* 6/1995 Leiva ..... D12/307

D. 359,469 \* 6/1995 Yoshida et al. .... D12/307

\* cited by examiner

*Primary Examiner*—Kay H. Chin

(74) *Attorney, Agent, or Firm*—Marshall, O’Toole, Gerstein, Murray & Borun

(57) **CLAIM**

The ornamental design for an water scooter, as shown and described.

**DESCRIPTION**

FIG. 1 is a perspective view of a water scooter showing our new design;

FIG. 2 is a front elevational view thereof;

FIG. 3 is a rear elevational view thereof;

FIG. 4 is a top plan view thereof;

FIG. 5 is a bottom plan view thereof

FIG. 6 is a left side elevational view thereof; and,

FIG. 7 is a right side elevational view thereof.

**1 Claim, 6 Drawing Sheets**

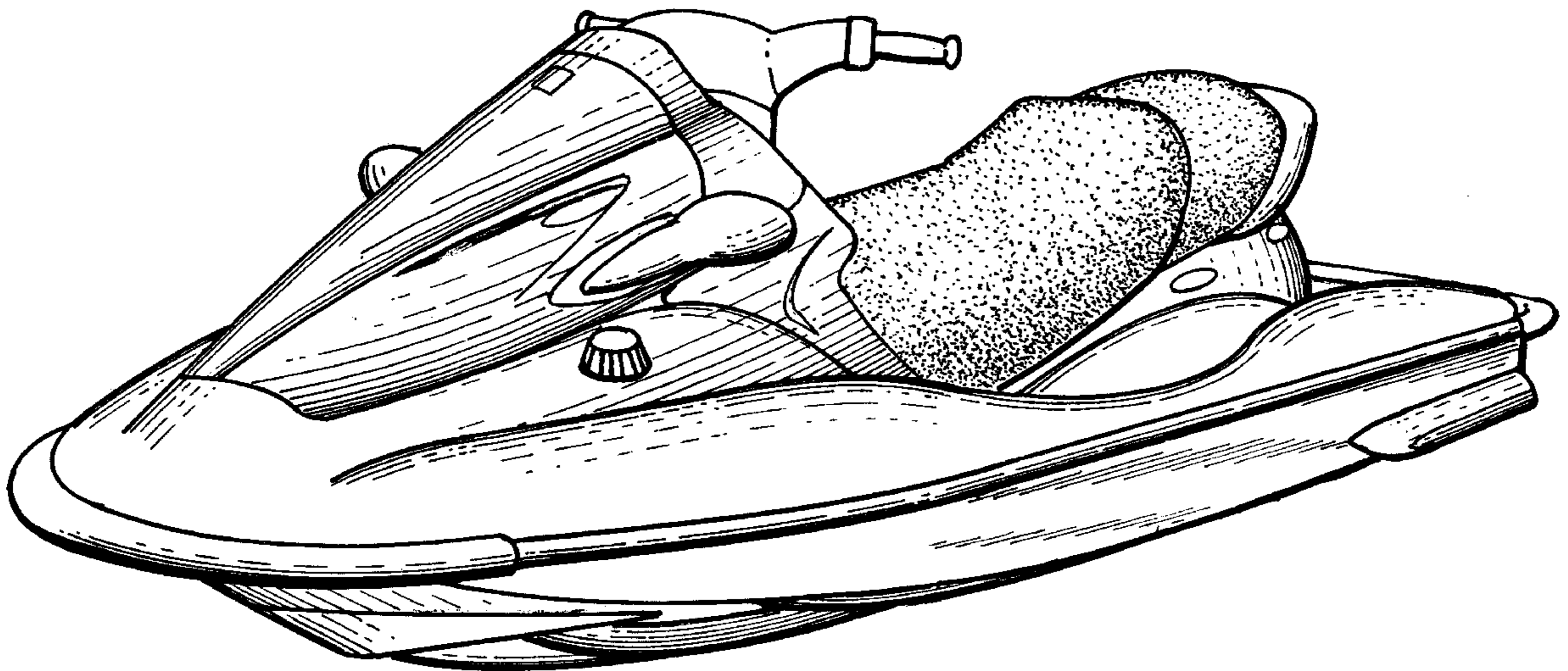


FIG. 1

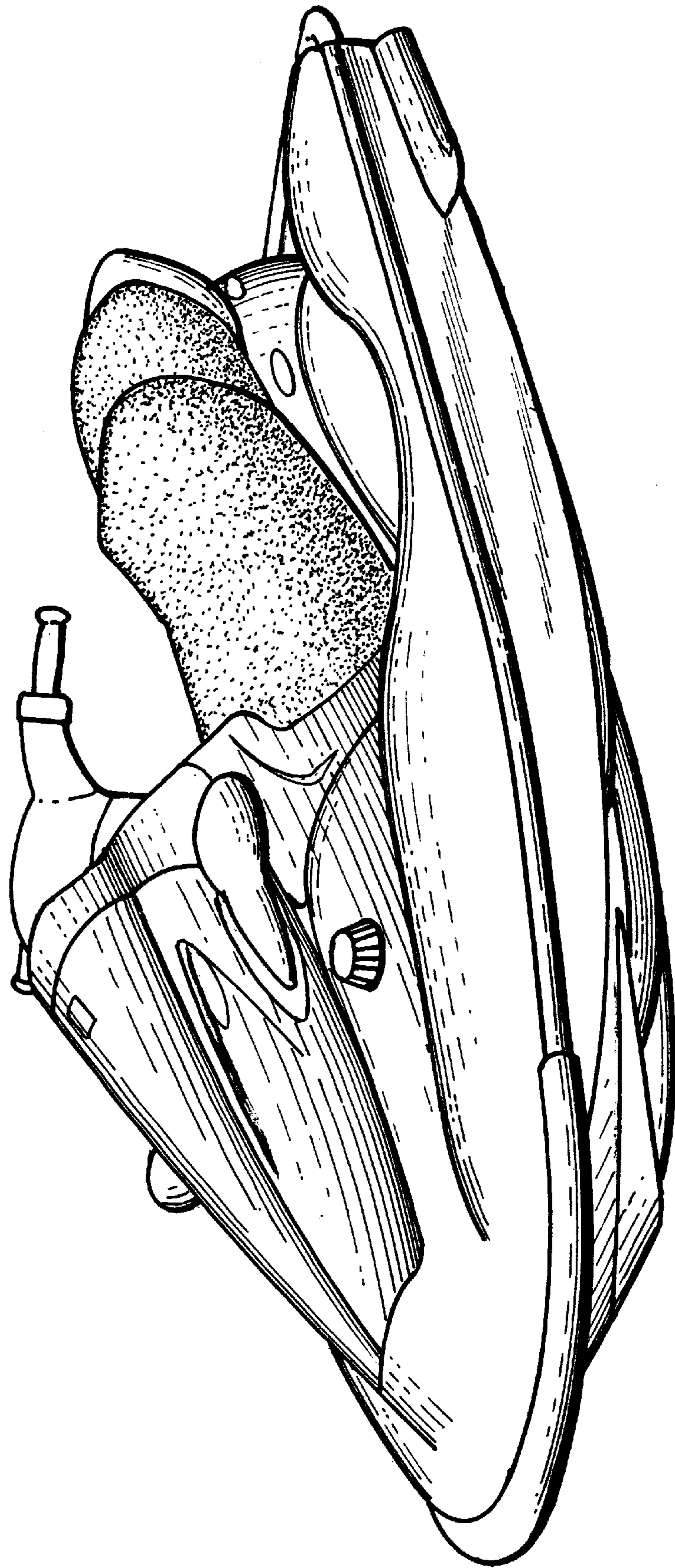


FIG. 2

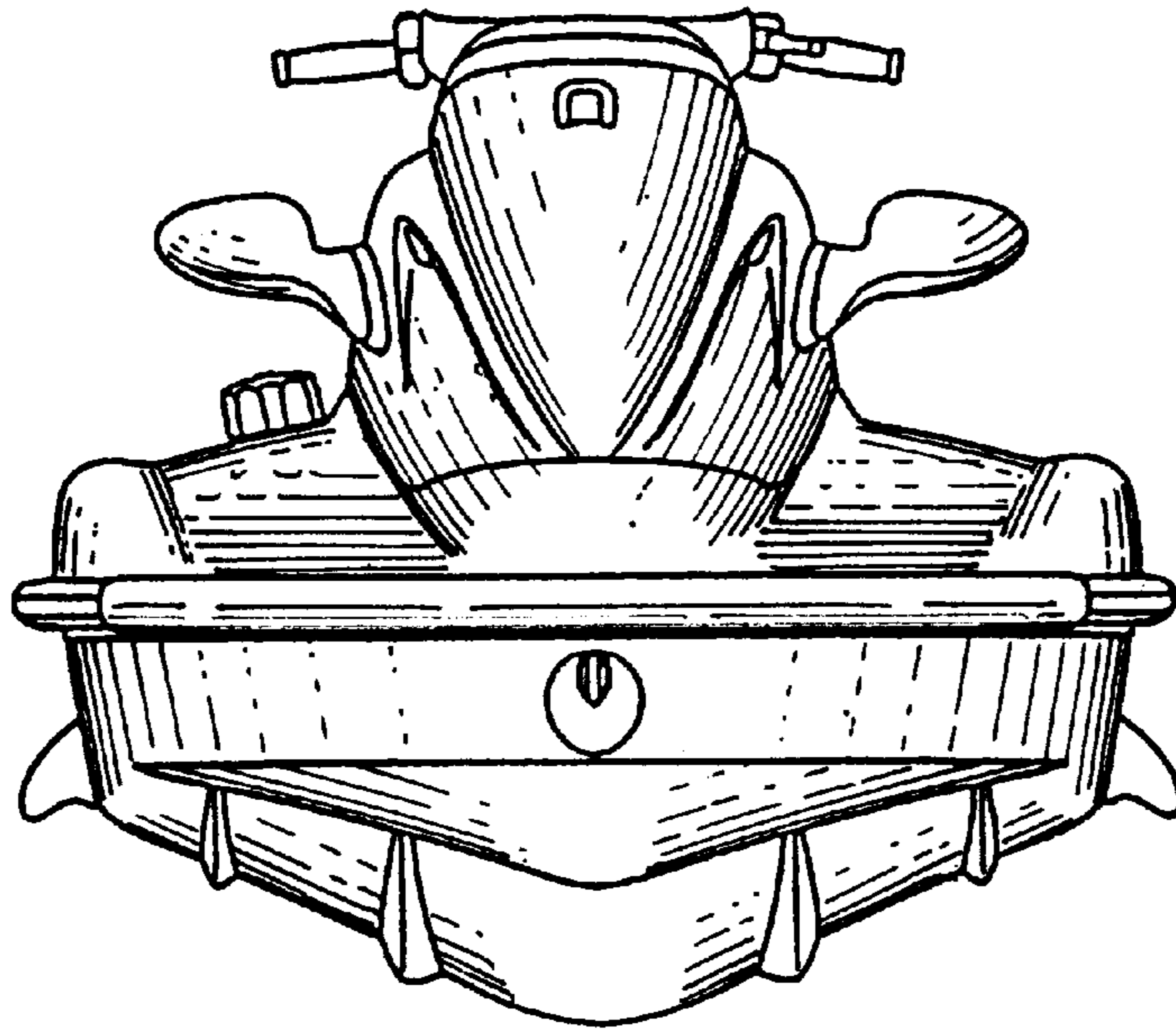


FIG. 3

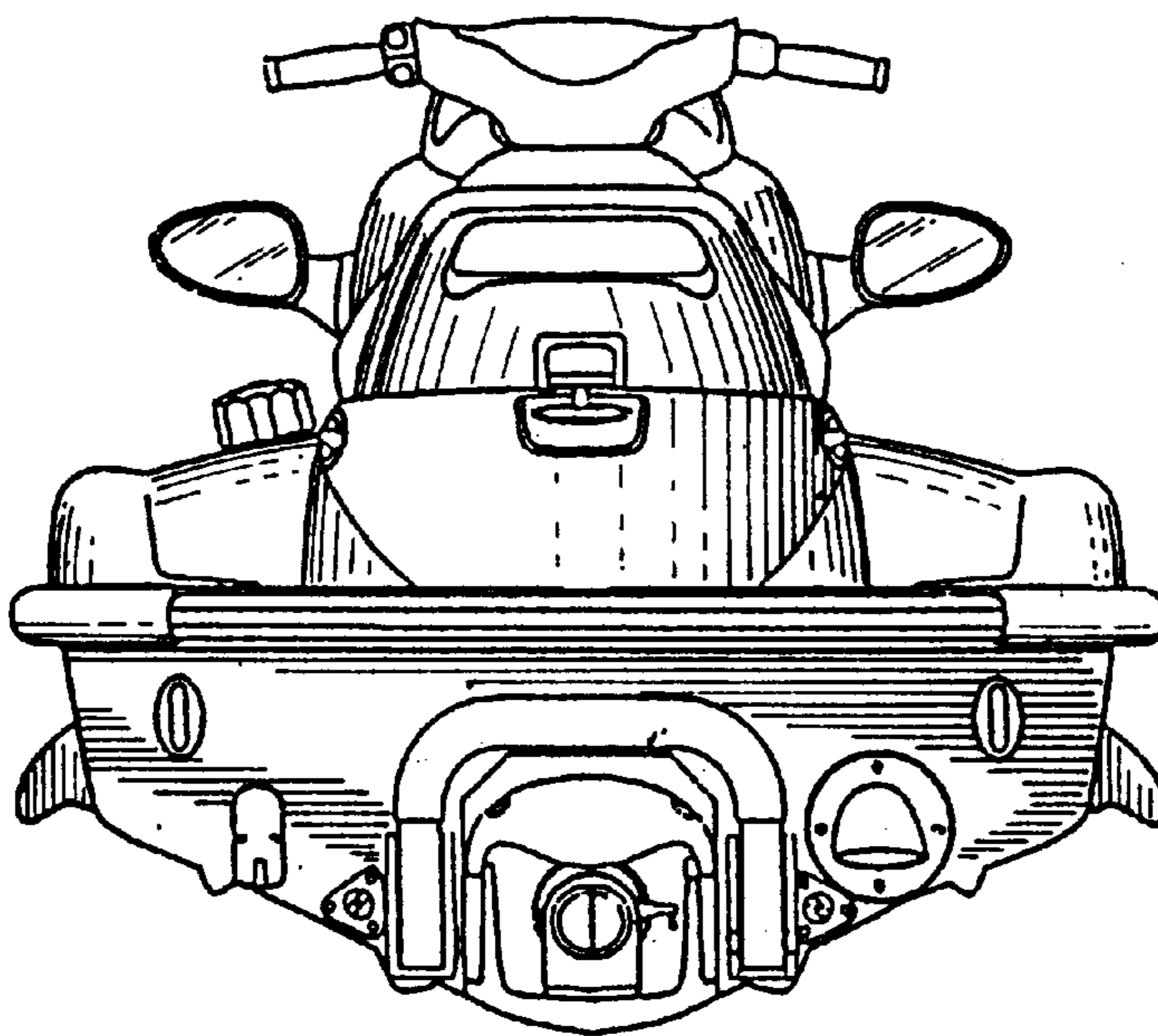


FIG.4

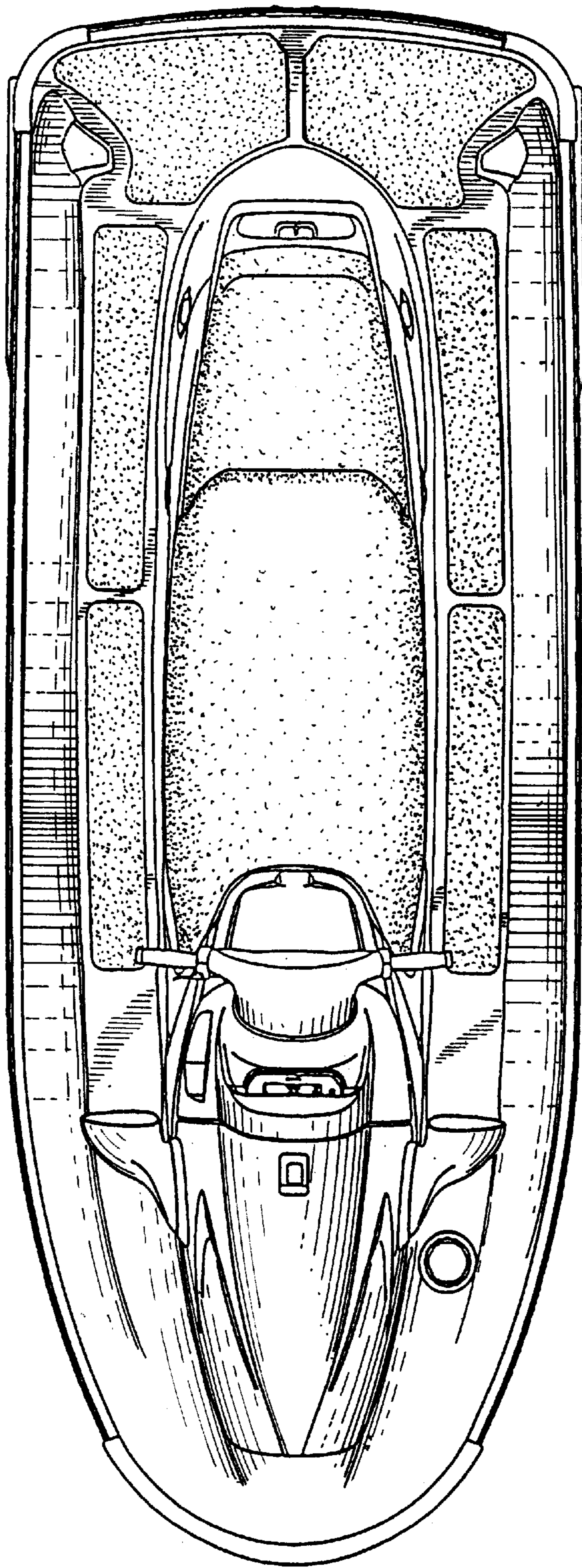


FIG. 5



FIG. 6

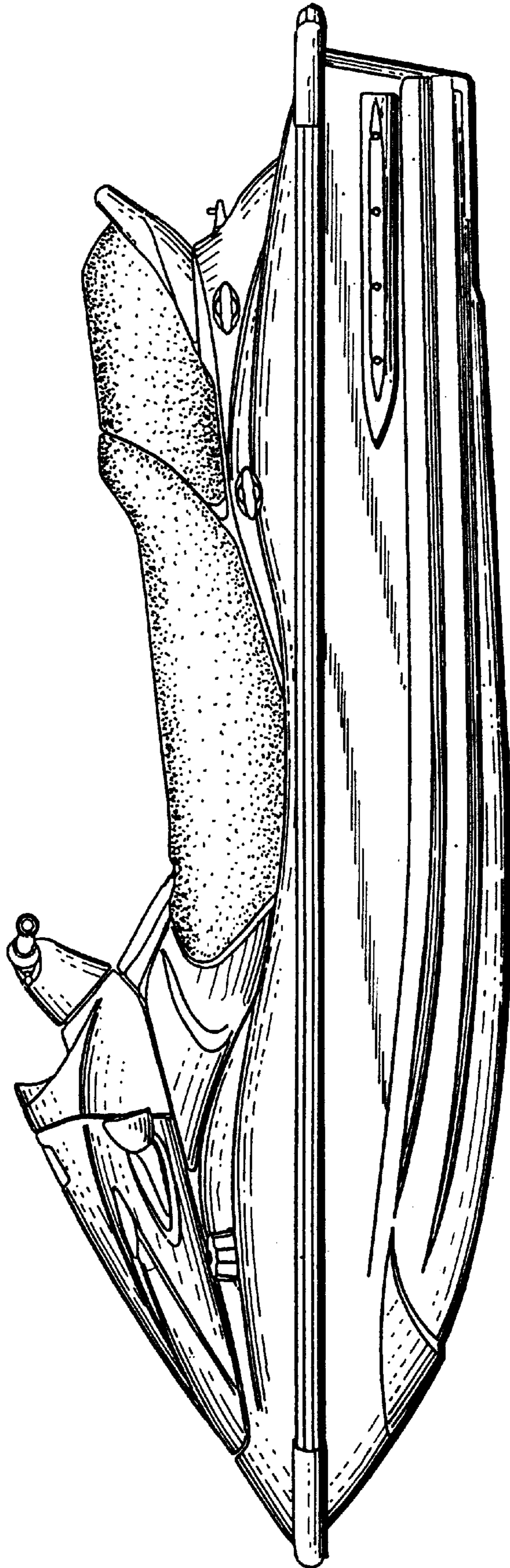


FIG. 7

