



US00D444760S

(12) **United States Design Patent**
Houssat et al.

(10) **Patent No.:** **US D444,760 S**

(45) **Date of Patent:** **** Jul. 10, 2001**

(54) **WINDSHIELD WIPER BLADE ADAPTER**

(75) Inventors: **Stephane Houssat**, Cebazat; **David Franco**, Riom; **Ludovic Catteau**, Issoire; **Guy Raymond**, Meilhaud, all of (FR)

(73) Assignee: **Valeo Systemes d'Essuyage (FR)**

(**) Term: **14 Years**

(21) Appl. No.: **29/121,641**

(22) Filed: **Apr. 11, 2000**

(30) **Foreign Application Priority Data**

Oct. 12, 1999 (FR) 99 6229

(51) **LOC (7) Cl.** **12-06**

(52) **U.S. Cl.** **D12/220**

(58) **Field of Search** D12/219, 220;
15/250.05, 250.07, 250.31-250.33, 250.351,
250.361, 250.38-250.42

(56) **References Cited**

U.S. PATENT DOCUMENTS

D. 353,358 * 12/1994 Lee D12/220

D. 357,891 * 5/1995 Lee D12/220
D. 402,254 * 12/1998 Lee D12/220
D. 404,354 * 1/1999 Witek et al. D12/220
D. 411,503 * 6/1999 Lee D12/220
D. 418,474 * 1/2000 Witek et al. D12/220

* cited by examiner

Primary Examiner—Stacia Cadmus

(74) *Attorney, Agent, or Firm*—J. Gordon Lewis

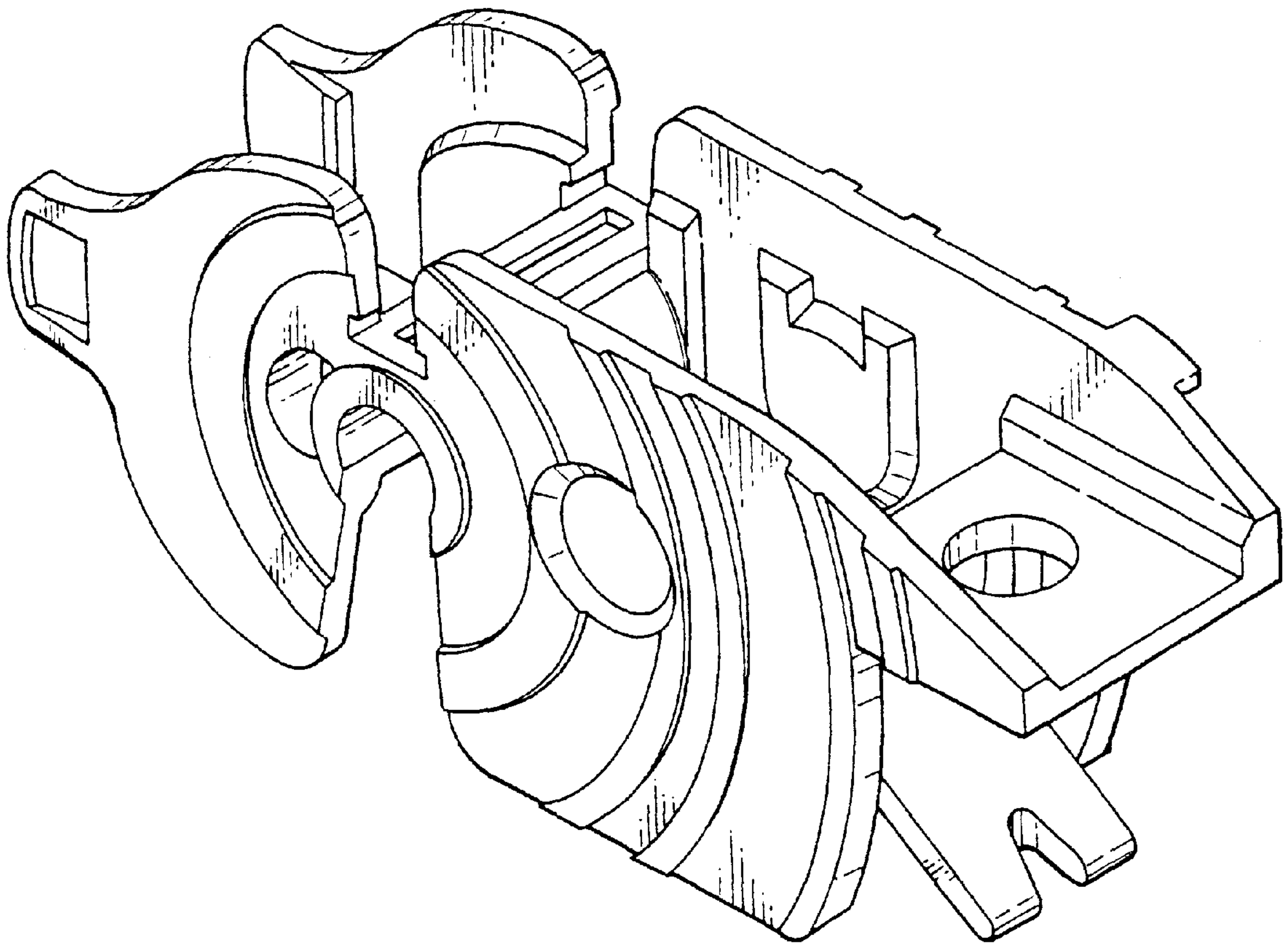
(57) **CLAIM**

The ornamental design for a windshield wiper blade adapter, as shown and described.

DESCRIPTION

FIG. 1 is a perspective view of the windshield wiper blade adapter showing our new design;
FIG. 2 is a front elevational view thereof;
FIG. 3 is a right-side elevational view thereof;
FIG. 4 is a left-side elevational view thereof;
FIG. 5 is a top plan view thereof; and,
FIG. 6 is a bottom plan view thereof.

1 Claim, 3 Drawing Sheets



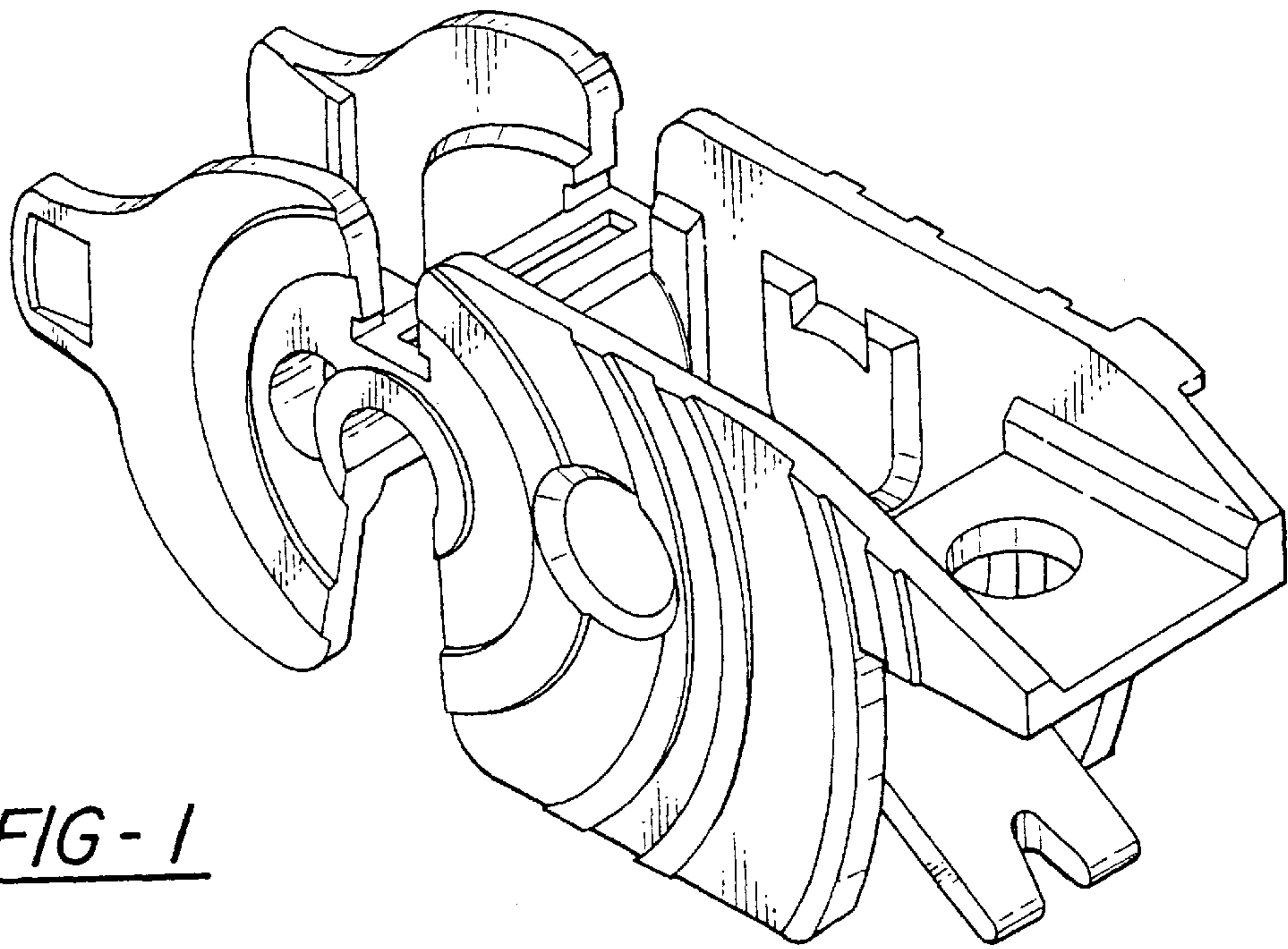
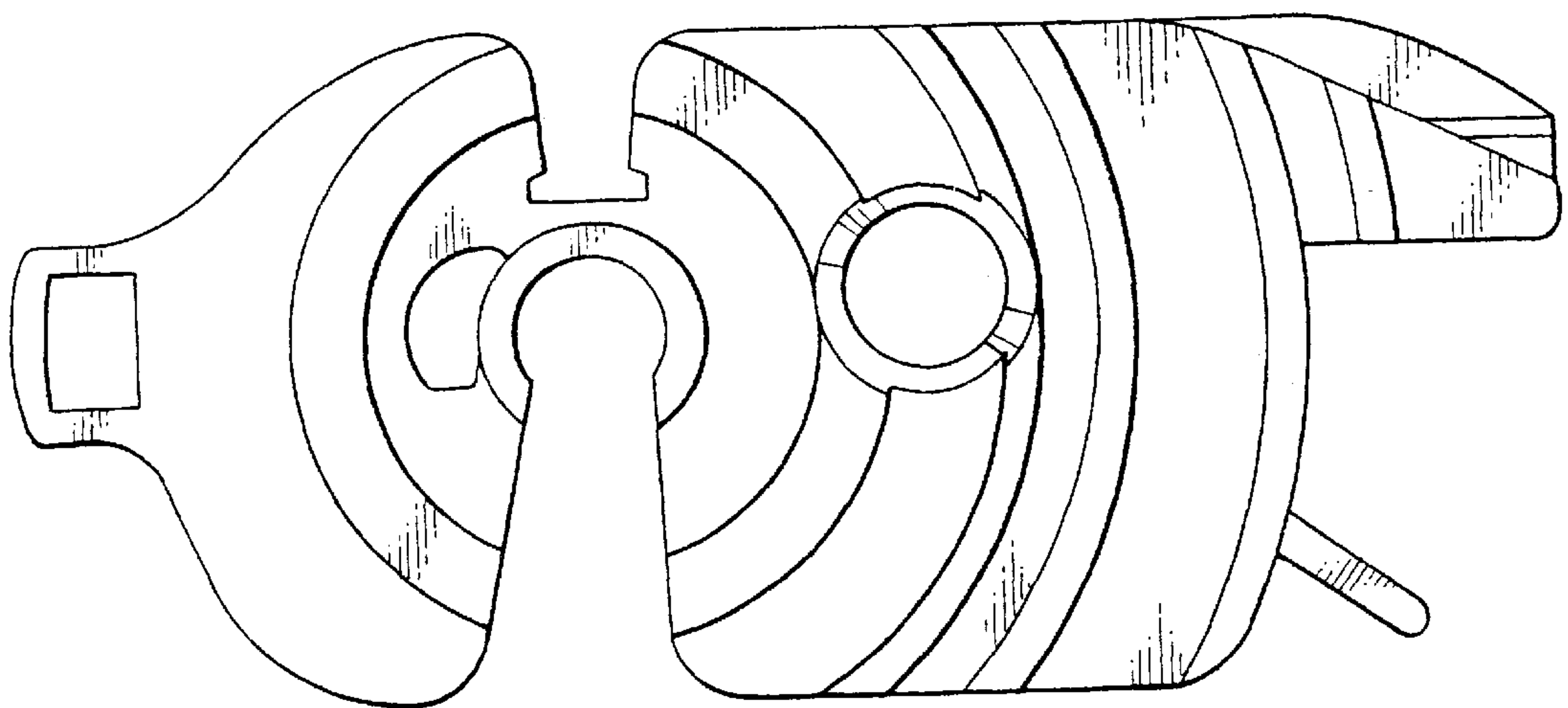


FIG - 1

FIG - 2



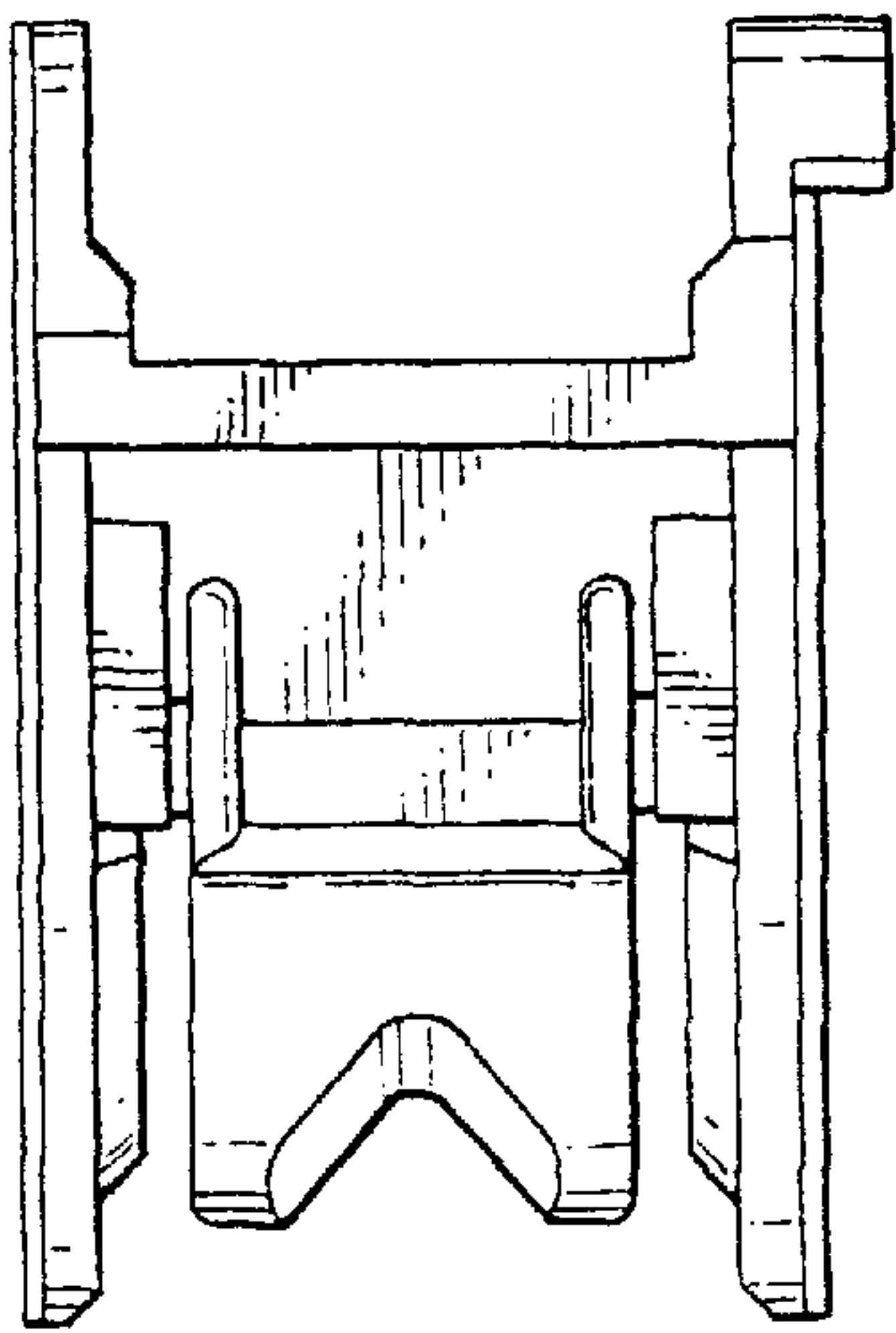


FIG - 3

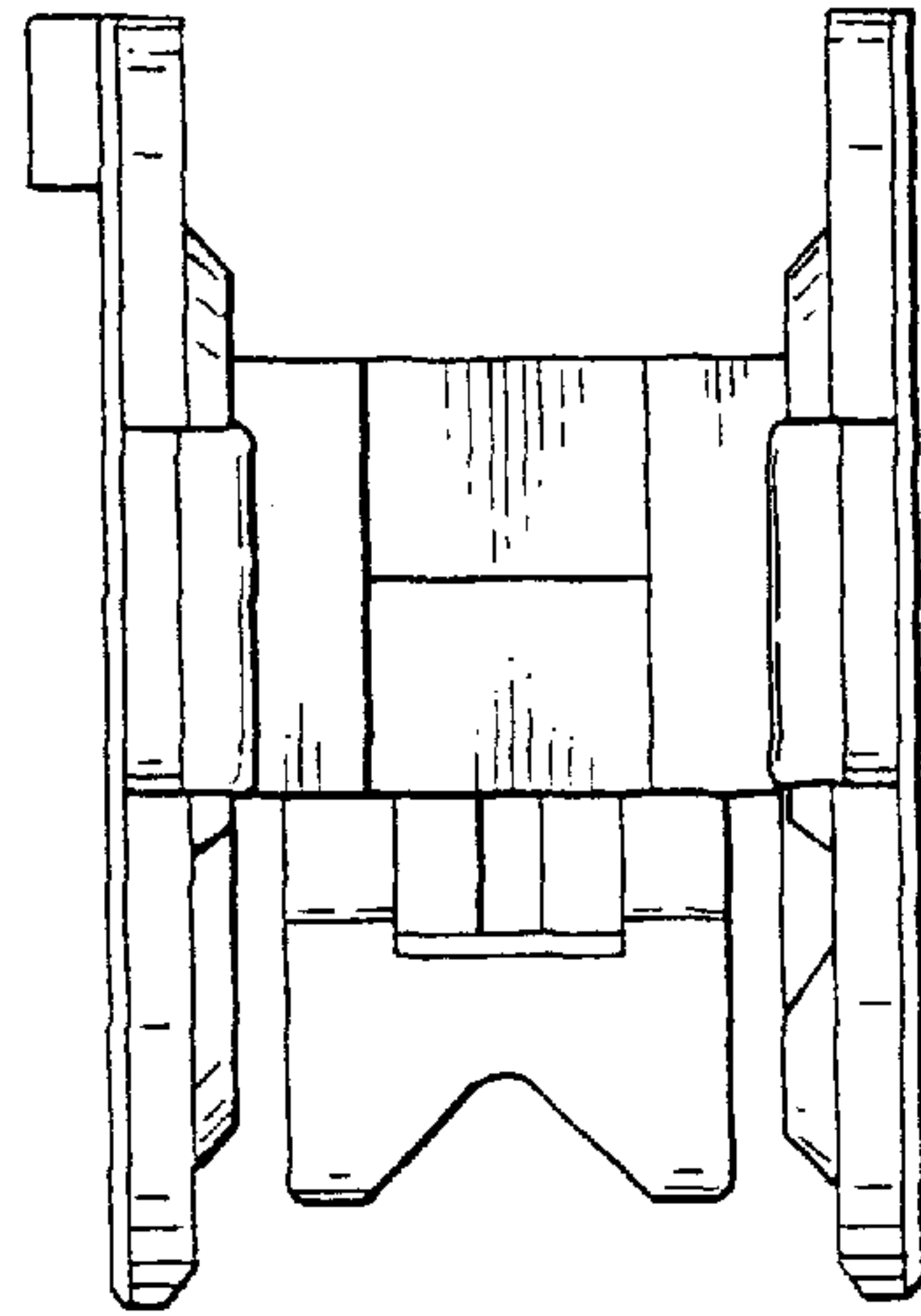


FIG - 4

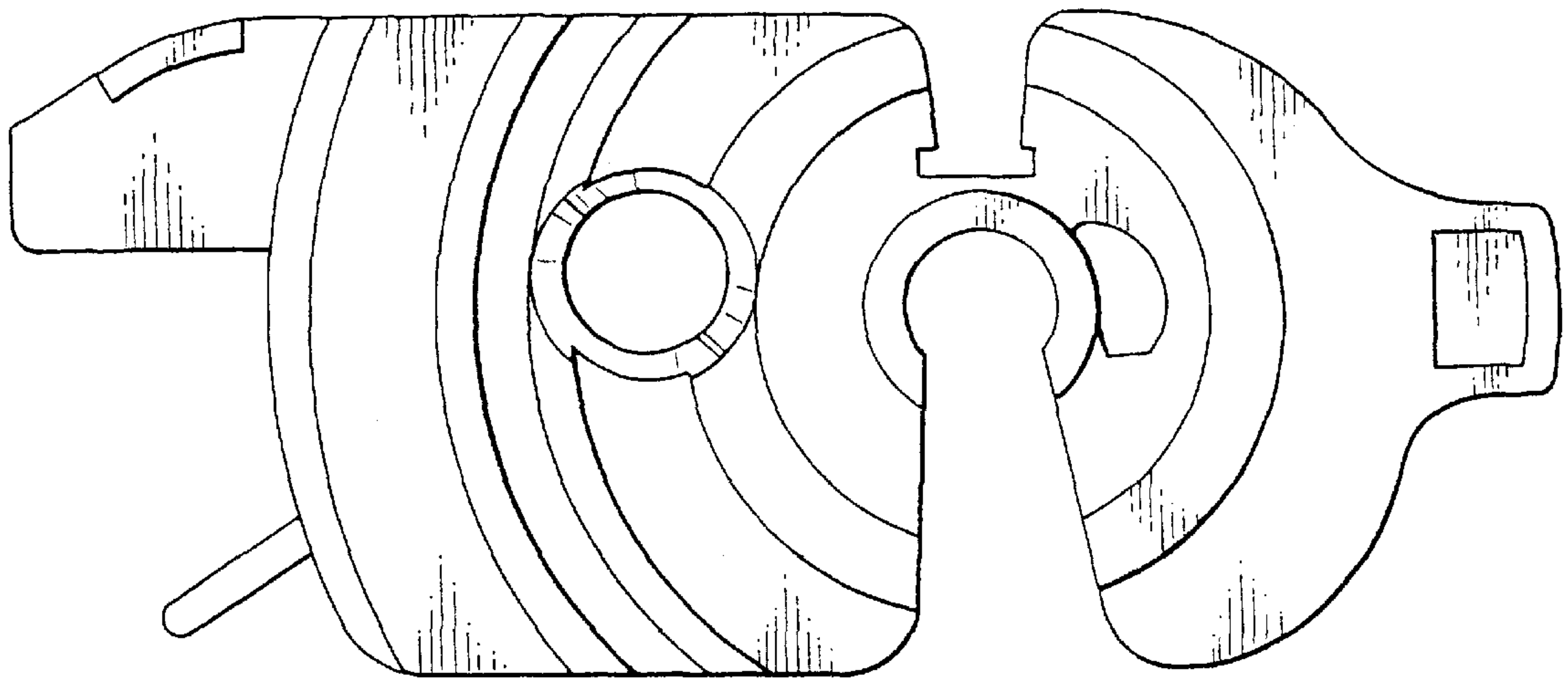


FIG - 7

FIG-5

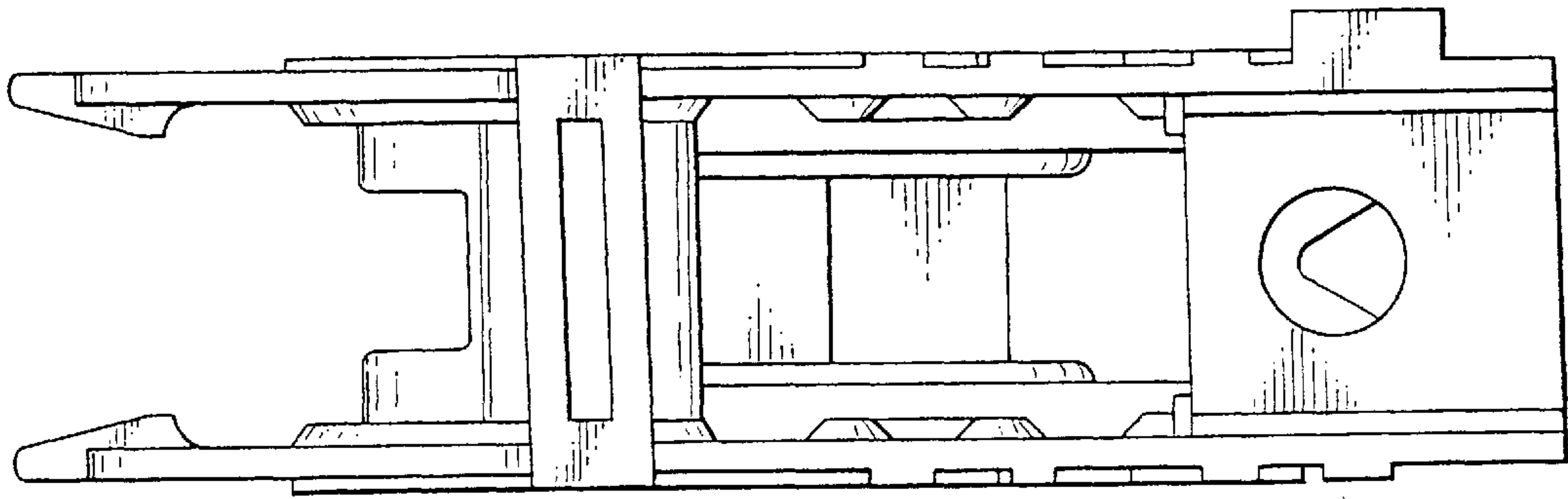


FIG-6

