



US00D444758S

(12) **United States Design Patent**
Mendez

(10) **Patent No.:** **US D444,758 S**

(45) **Date of Patent:** **** Jul. 10, 2001**

(54) **WHEEL**

(75) **Inventor:** **Roberto V. Mendez**, El Monte, CA (US)

(73) **Assignee:** **Mizati Luxury Alloy Wheels, Inc.**, Alhambra, CA (US)

(**) **Term:** **14 Years**

(21) **Appl. No.:** **29/134,809**

(22) **Filed:** **Dec. 29, 2000**

(51) **LOC (7) Cl.** **12-16**

(52) **U.S. Cl.** **D12/211**

(58) **Field of Search** D12/204-211;
301/37.1, 64.1, 65

(56) **References Cited**

U.S. PATENT DOCUMENTS

D. 206,432	*	12/1966	Reid	D12/211
D. 277,661	*	2/1985	Cafaro et al.	D12/211
D. 284,182	*	6/1986	Hedlund	D12/211
D. 286,278	*	10/1986	Sandberg	D12/211
D. 292,572	*	11/1987	Schell et al.	D12/211
D. 396,839	*	8/1998	Cullen	D12/211

D. 409,969	*	5/1999	Chung	D12/211
D. 419,513	*	1/2000	Hartanto	D12/209
D. 430,095	*	8/2000	Lotson	D12/211
D. 430,524	*	9/2000	Noriega	D12/209
D. 430,527	*	9/2000	Noriega	D12/211
D. 431,517	*	10/2000	Donikoglu	D12/209
D. 431,807	*	10/2000	Fitzgerald	D12/211
D. 432,069	*	10/2000	Chung	D12/209
D. 432,971	*	10/2000	Donikoglu	D12/209
D. 433,371	*	11/2000	Donikoglu	D12/209
D. 433,375	*	11/2000	Fitzgerald	D12/209
D. 436,070	*	1/2001	Lee	D12/209
D. 436,340	*	1/2001	Kaucher	D12/209

* cited by examiner

Primary Examiner—Stacia Cadmus

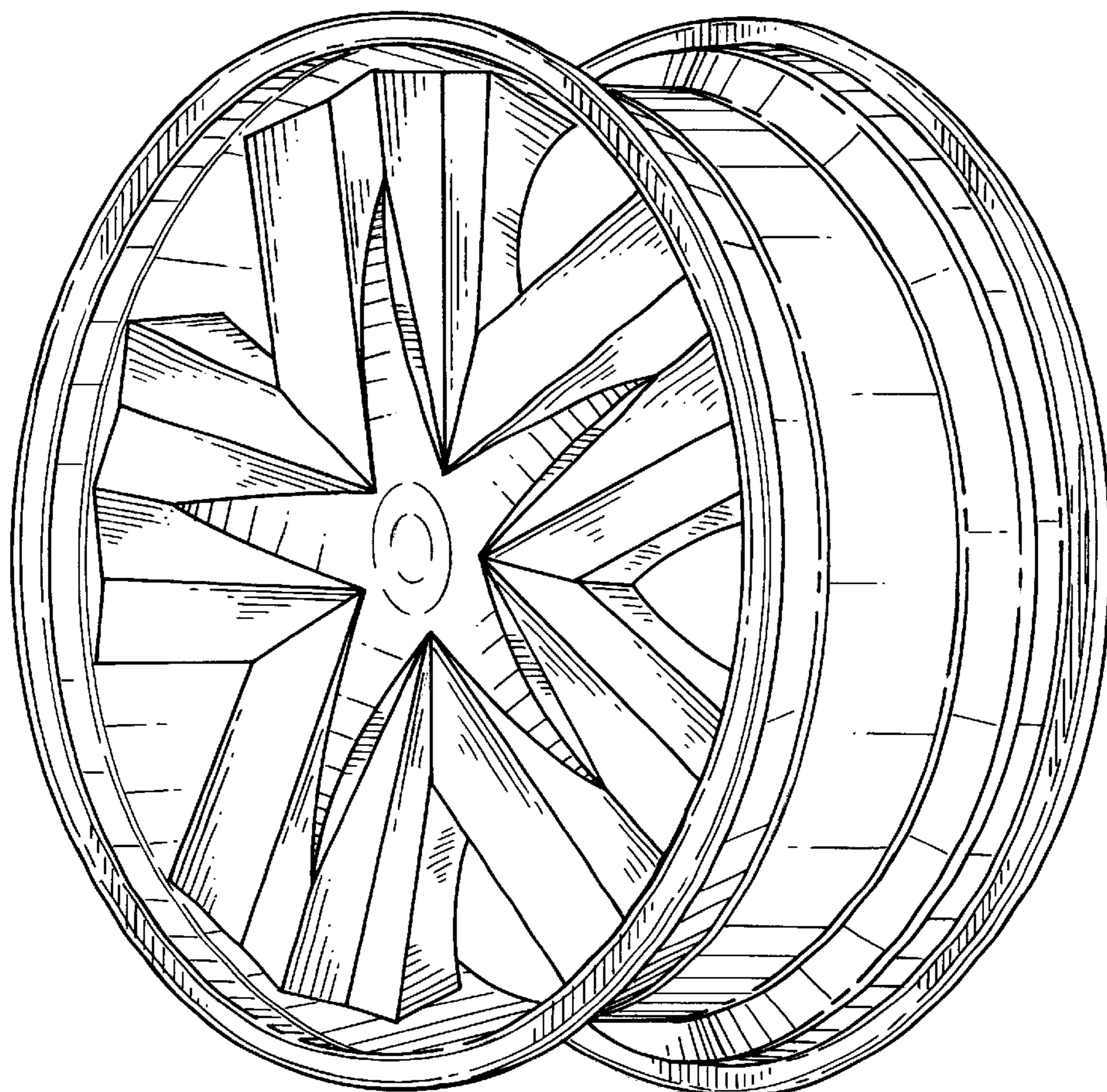
(57) **CLAIM**

The ornamental design for a wheel, as shown and described.

DESCRIPTION

FIG. 1 is a front perspective view of a wheel, showing my new design;
FIG. 2 is a front view thereof; and,
FIG. 3 is a side view thereof.

1 Claim, 2 Drawing Sheets



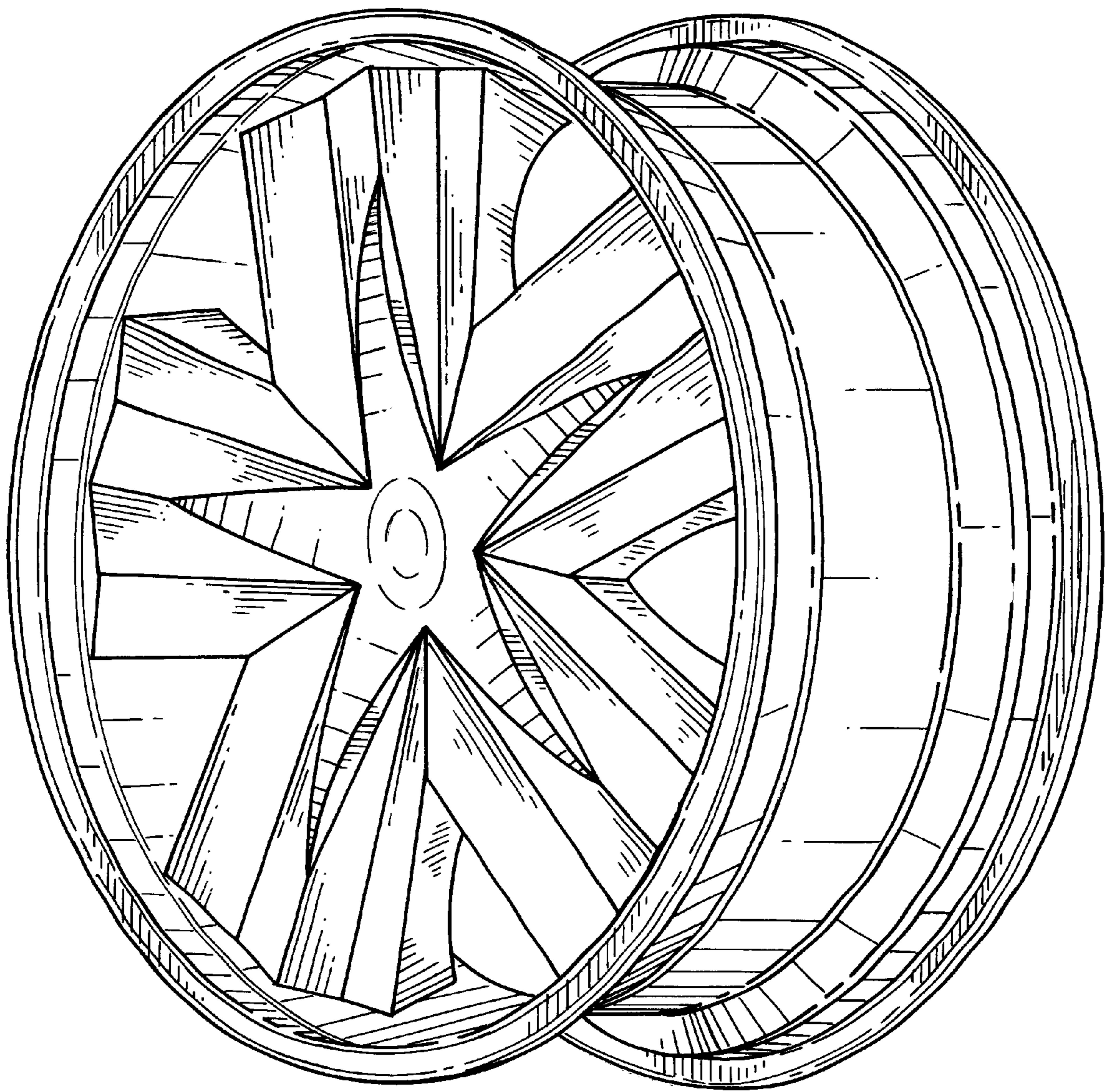


FIG. 1

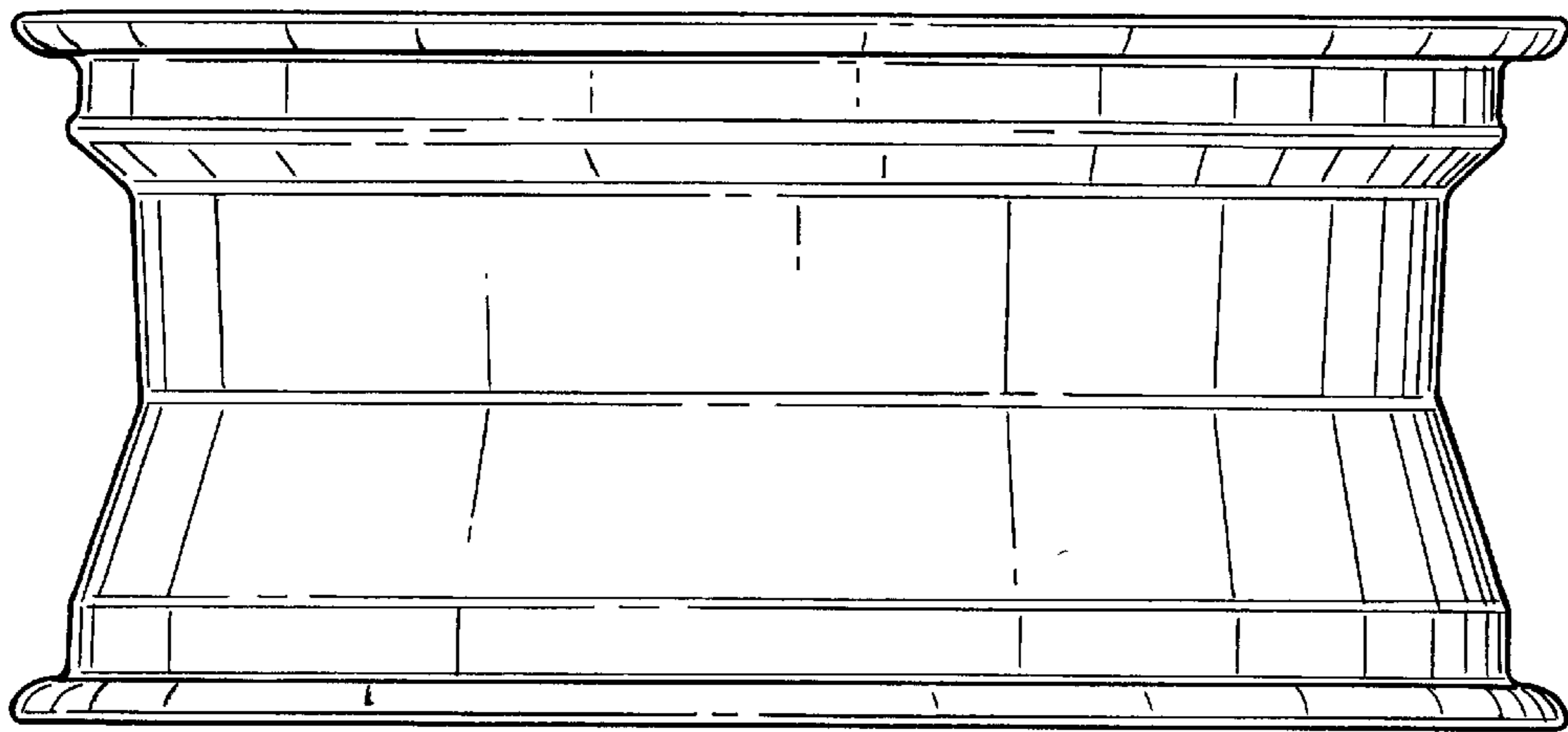


FIG. 3

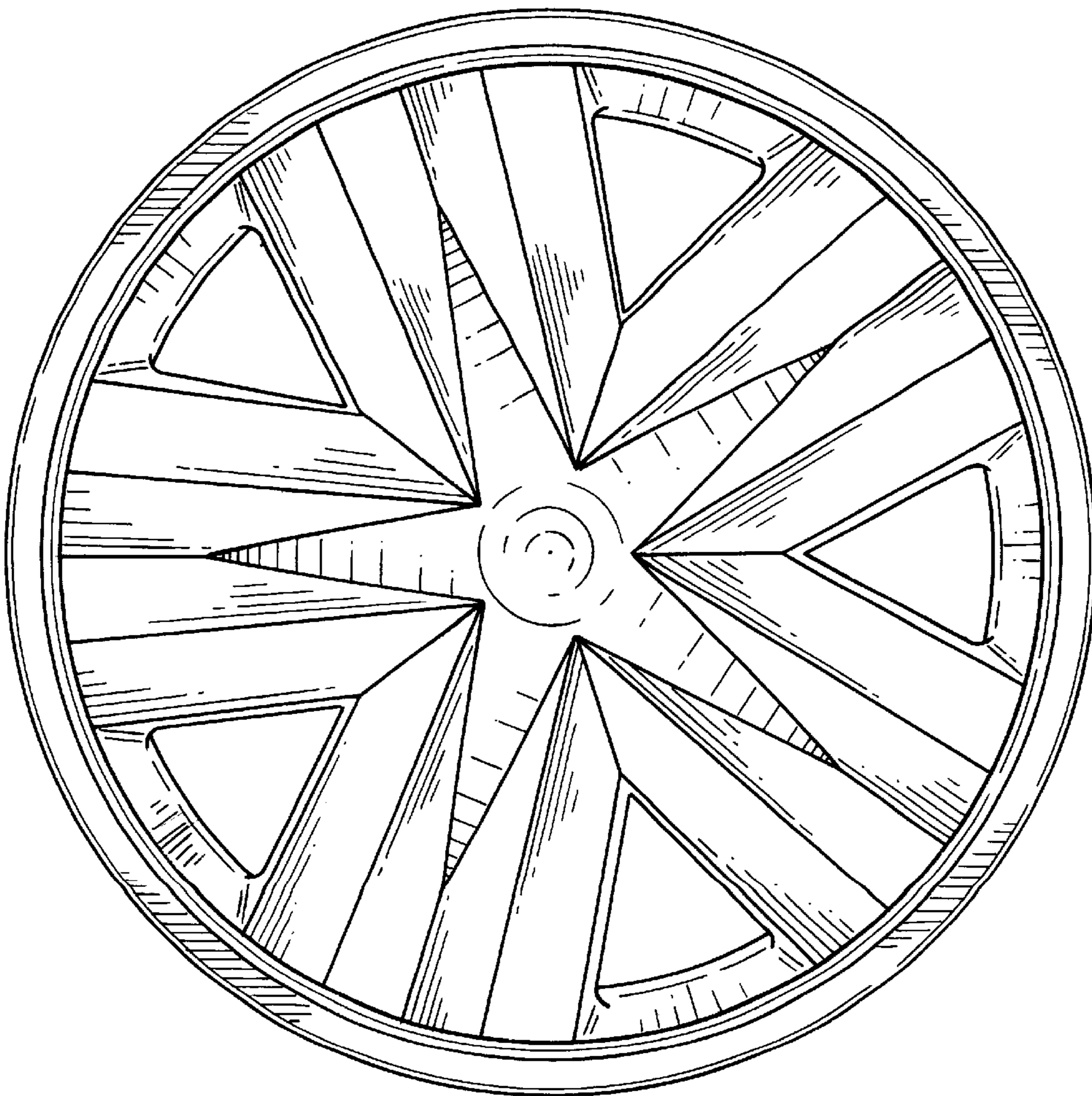


FIG. 2