



US00D444757S

(12) **United States Design Patent**
Ward

(10) **Patent No.:** **US D444,757 S**

(45) **Date of Patent:** **** Jul. 10, 2001**

(54) **WHEEL FOR A GOLF PULL-CART**

DESCRIPTION

(76) Inventor: **Frank R. Ward**, 20910 NE. 156th St.,
Woodinville, WA (US) 98072

(**) Term: **14 Years**

(21) Appl. No.: **29/127,324**

(22) Filed: **Aug. 3, 2000**

(51) **LOC (7) Cl.** **12-16**

(52) **U.S. Cl.** **D12/211; D34/27**

(58) **Field of Search** **D34/12-27; D12/204,**
D12/209-212; 301/37.1, 64.1, 65

(56) **References Cited**

U.S. PATENT DOCUMENTS

D. 391,731	*	3/1998	Wu	D34/15
D. 395,863	*	7/1998	Sacco et al.	D12/211
D. 410,312	*	5/1999	Liao	D34/15
D. 430,523	*	9/2000	Pfeiffer	D12/209

* cited by examiner

Primary Examiner—Kay H. Chin

(74) *Attorney, Agent, or Firm*—Seed IP Law Group PLLC

(57) **CLAIM**

The ornamental design for a wheel for a golf pull-cart, as shown and described.

FIG. 1 is a front, left isometric view of a first embodiment of a wheel for a golf pull-cart showing my new design in the environment in which it is typically used.

FIG. 2 is a front, left isometric view of a wheel for a golf pull-cart.

FIG. 3 is a front elevational view thereof.

FIG. 4 is a rear elevational view thereof.

FIG. 5 is a right side elevational view thereof; the left side elevational view, the top plan view, and the bottom plan view are mirror images thereof.

FIG. 6 is a front, left isometric view of a second embodiment of a wheel for a golf pull-cart showing my new design in the environment in which it is typically used.

FIG. 7 is a front, left isometric view of a wheel for a golf pull-cart.

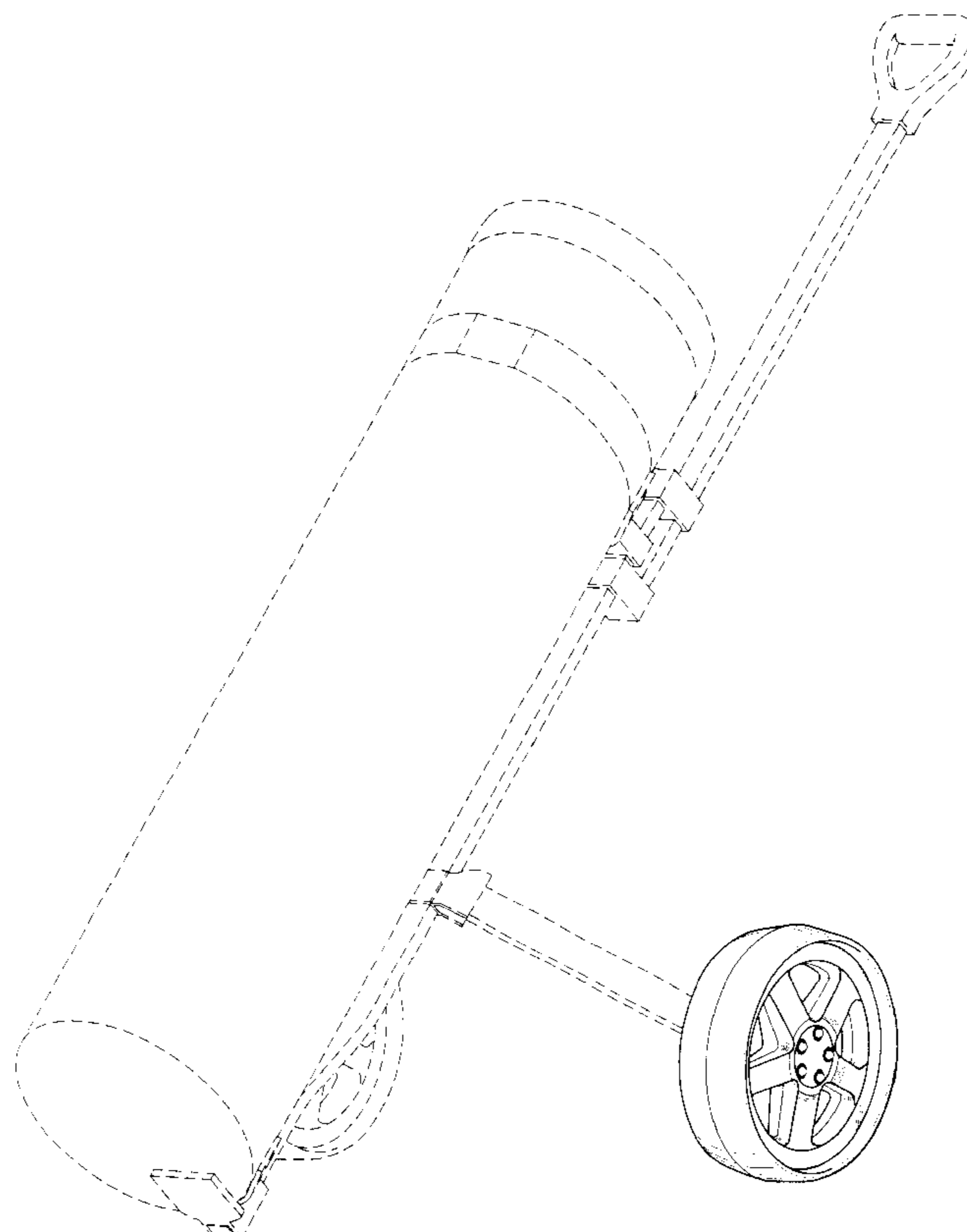
FIG. 8 is a front elevational view thereof.

FIG. 9 is a rear elevational view thereof; and,

FIG. 10 is a right side elevational view thereof; the left side elevational view, the top plan view, and the bottom plan view are mirror images thereof.

The broken lines in the figures are for illustrative purposes only and form no part of the claimed design.

1 Claim, 10 Drawing Sheets



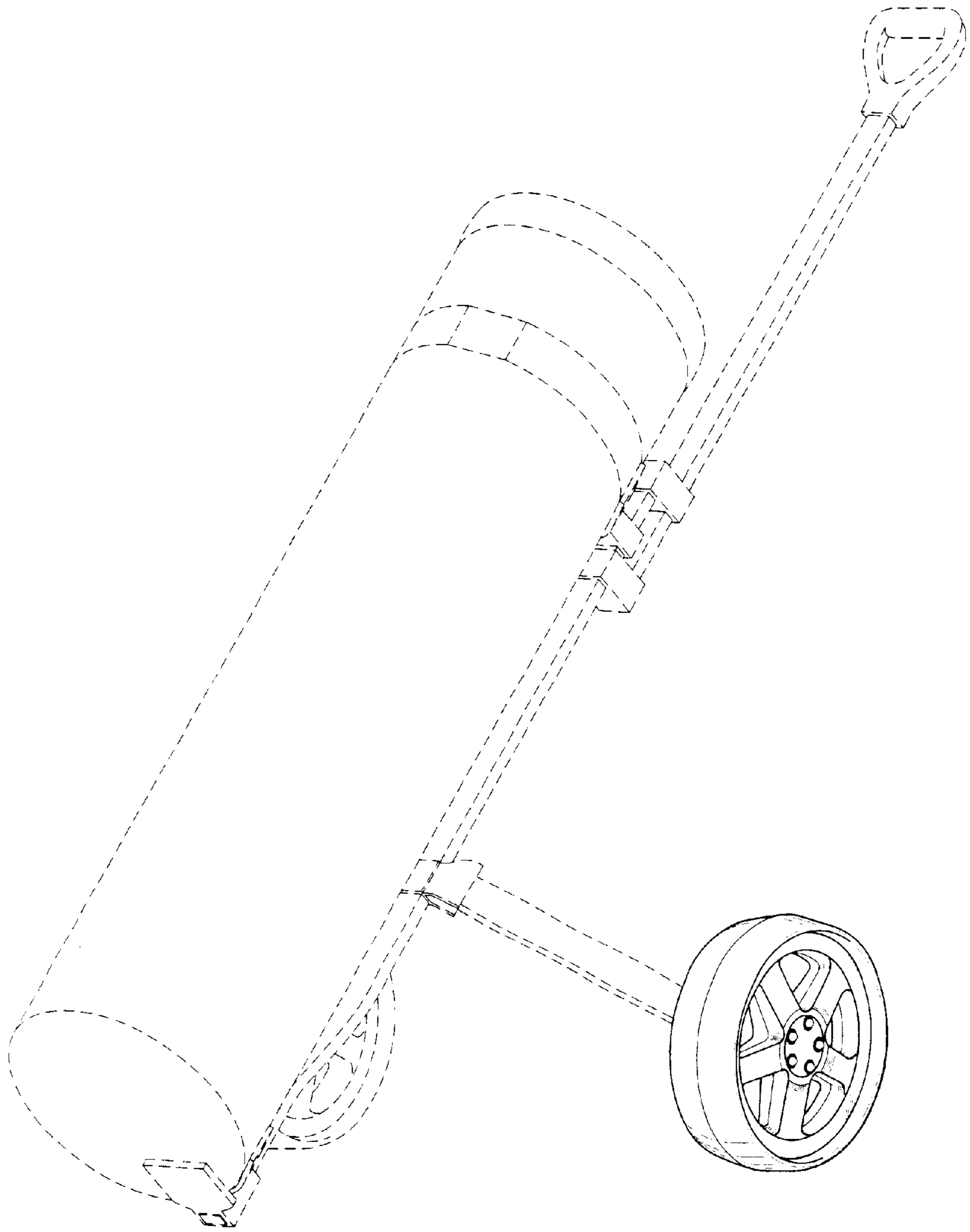


Fig. 1

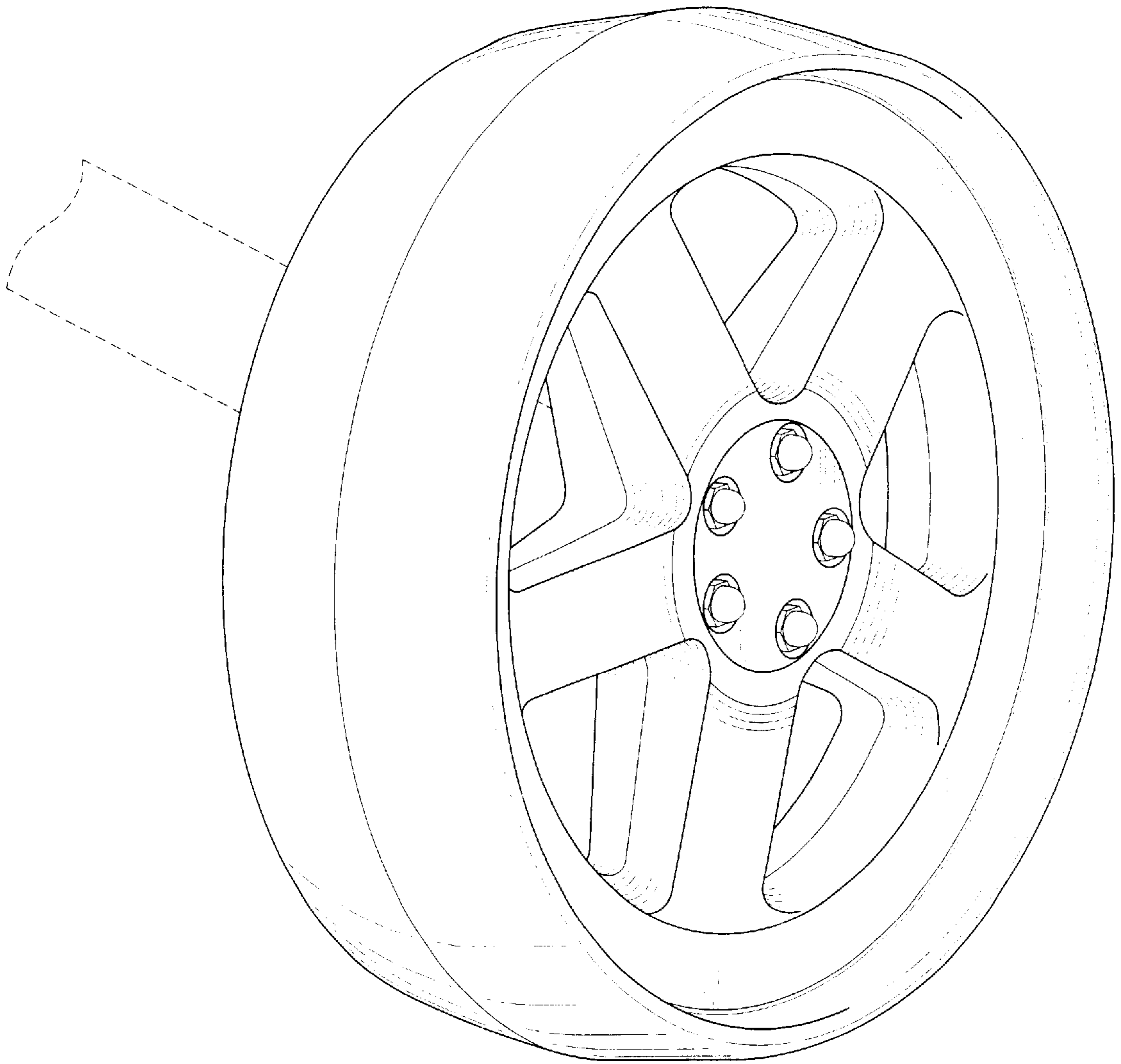


Fig. 2

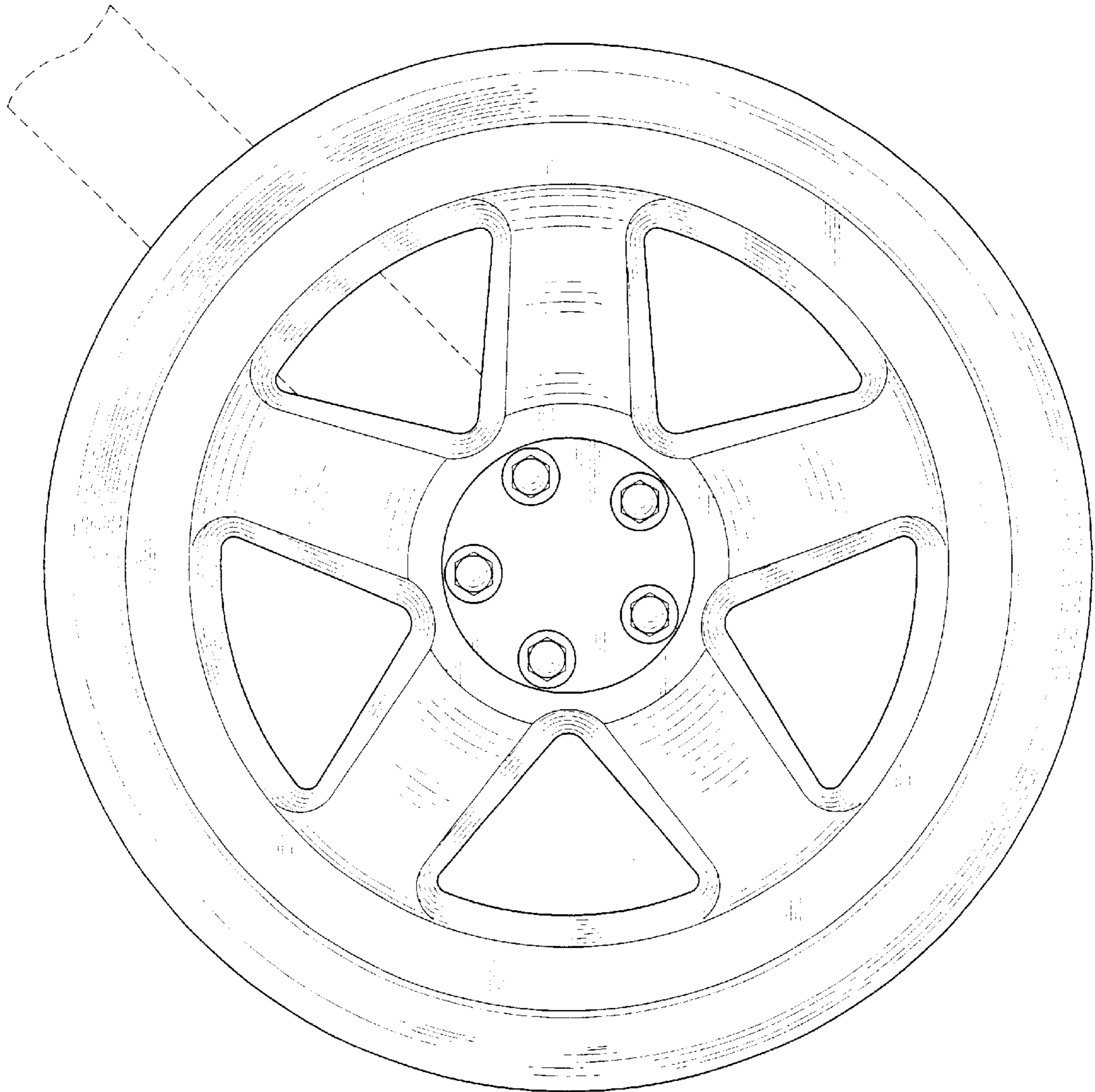


Fig. 3

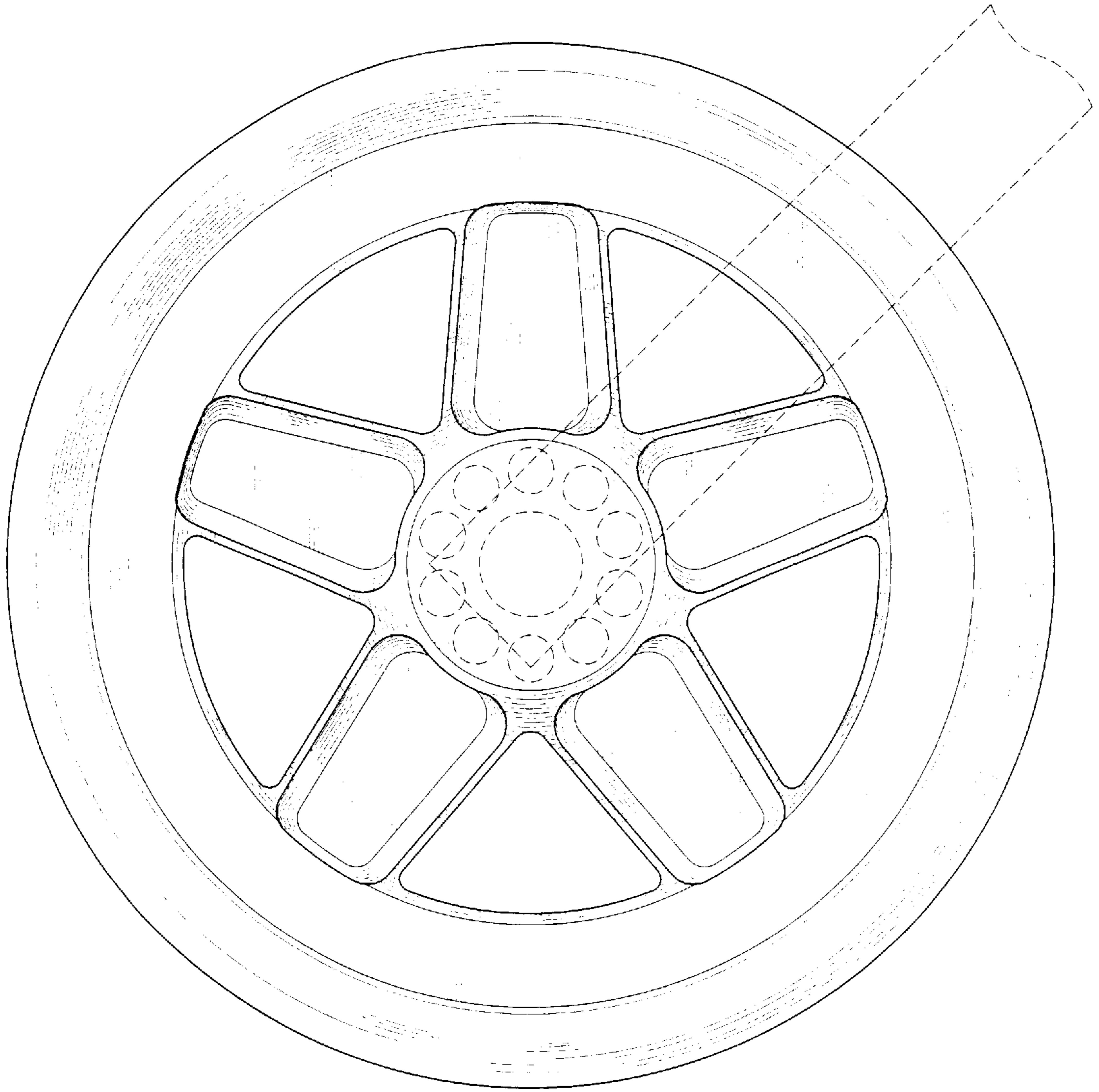


Fig. 4

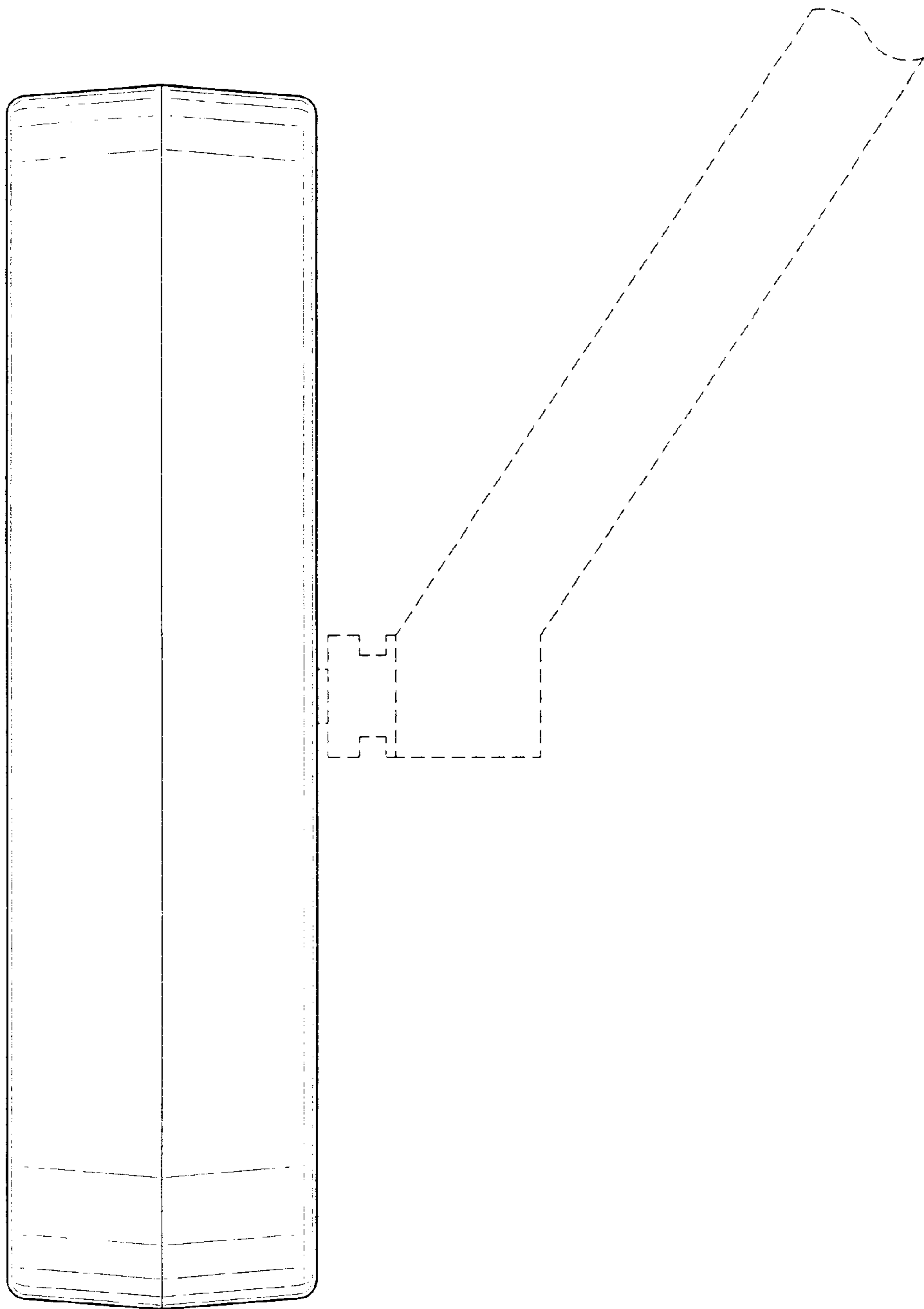


Fig. 5

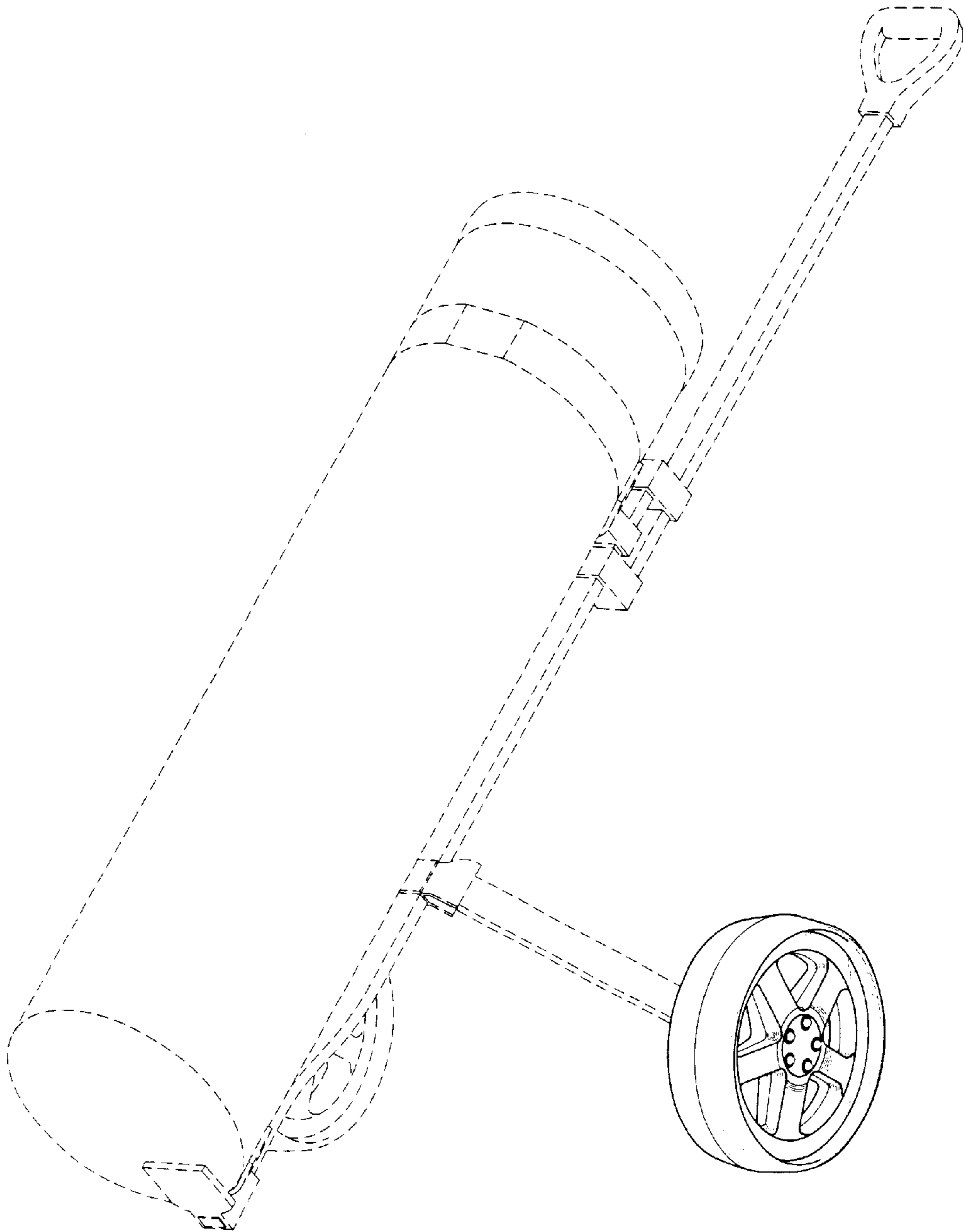


Fig. 6

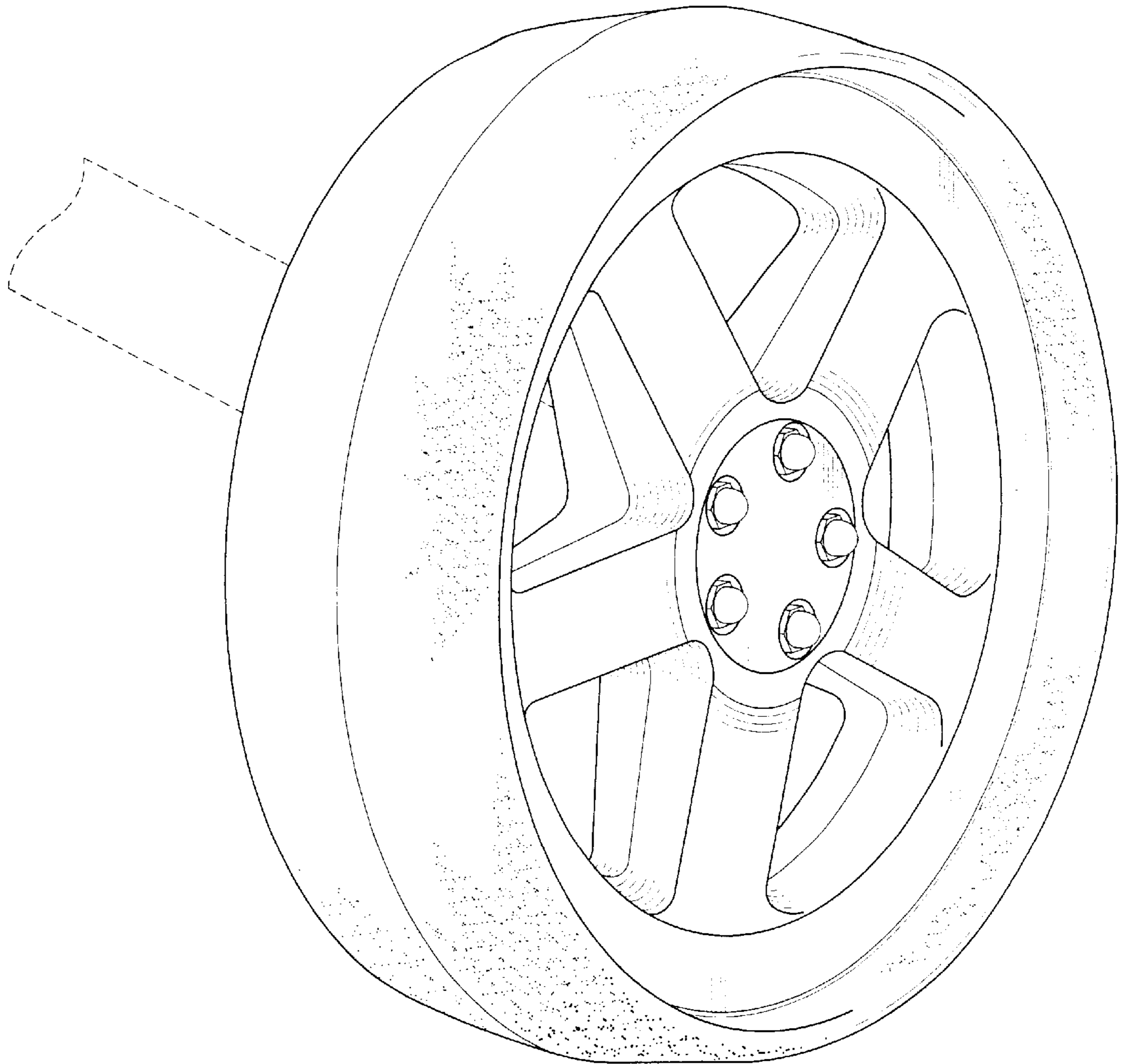


Fig. 7

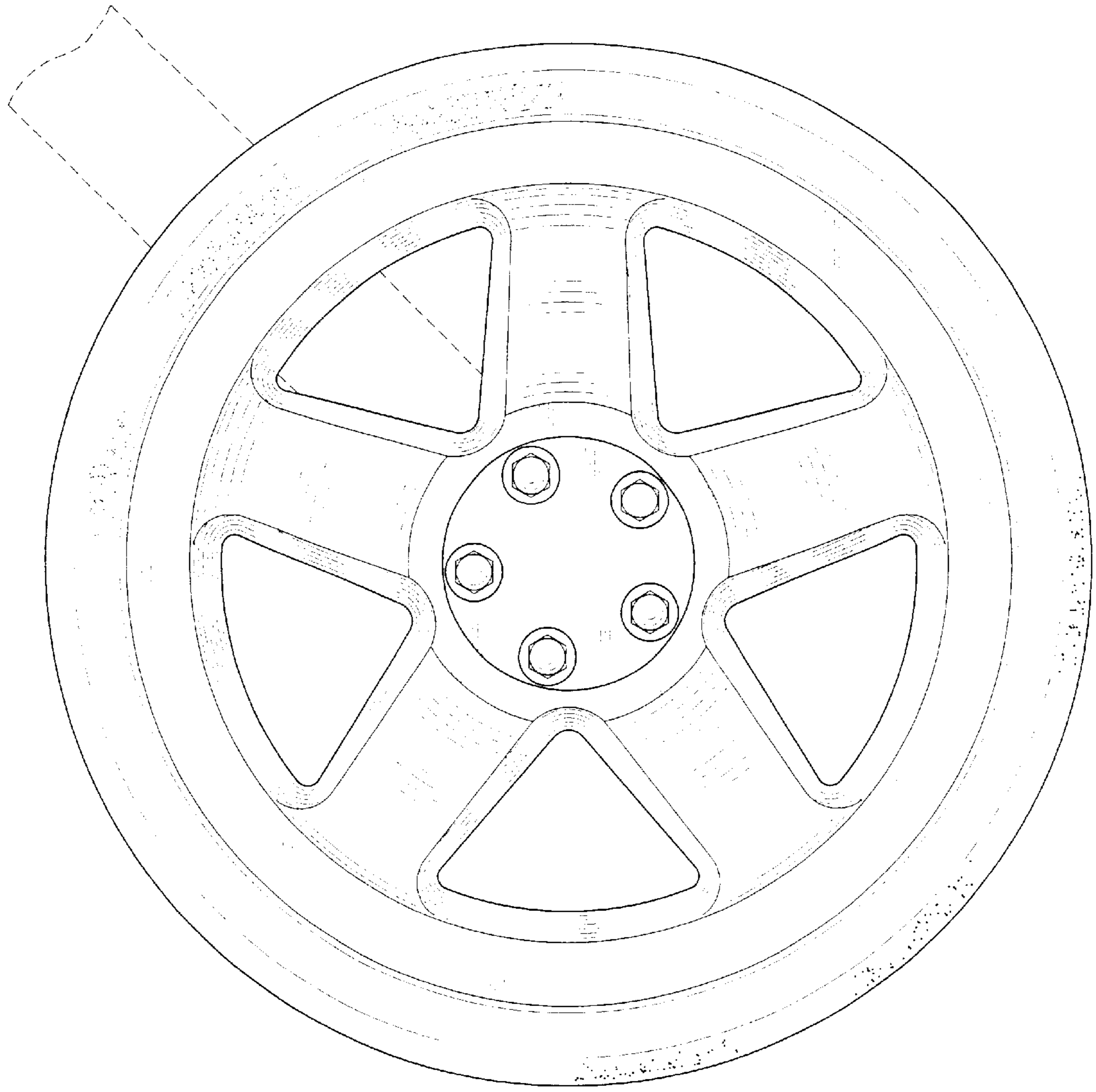


Fig. 8

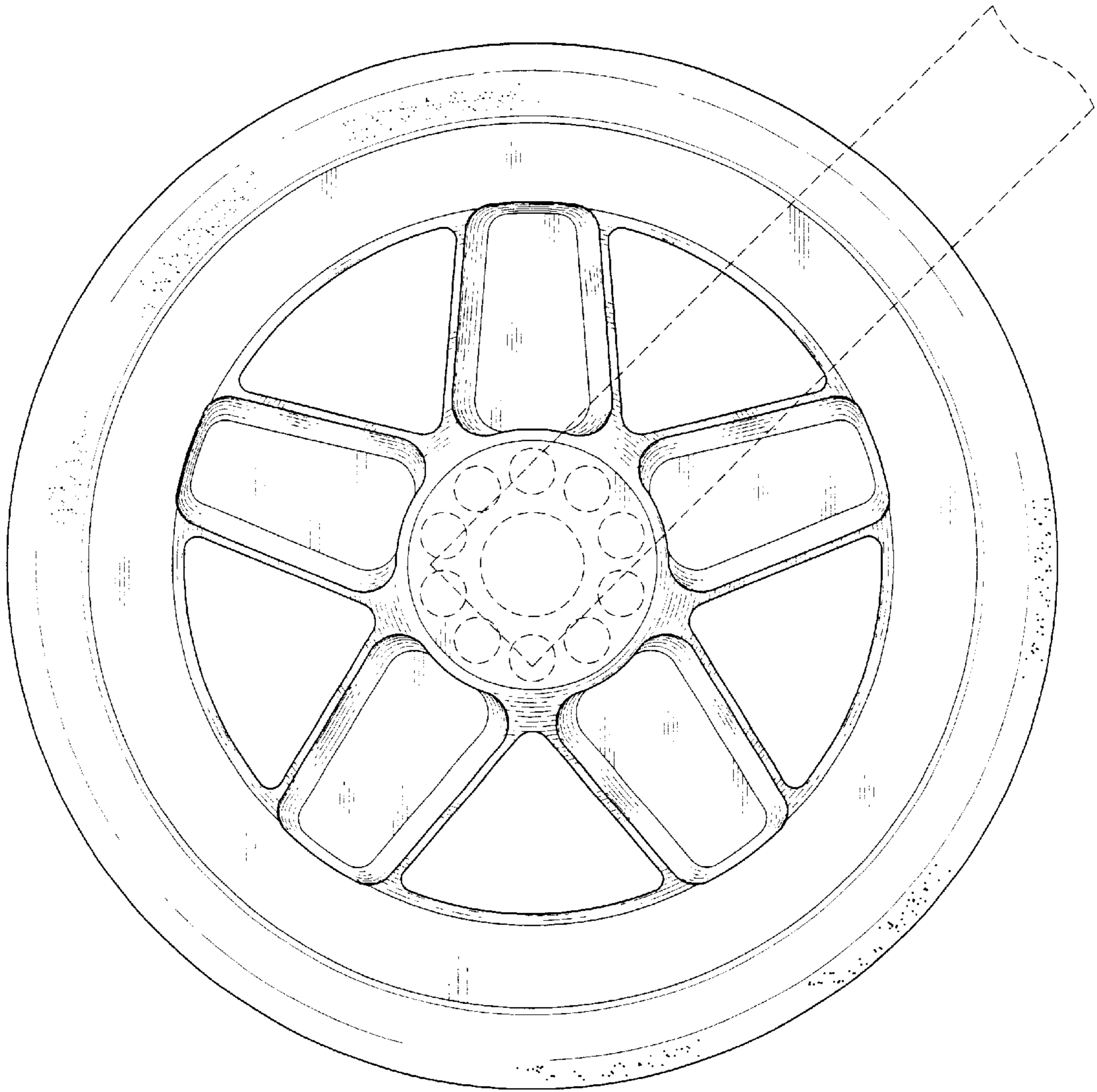


Fig. 9

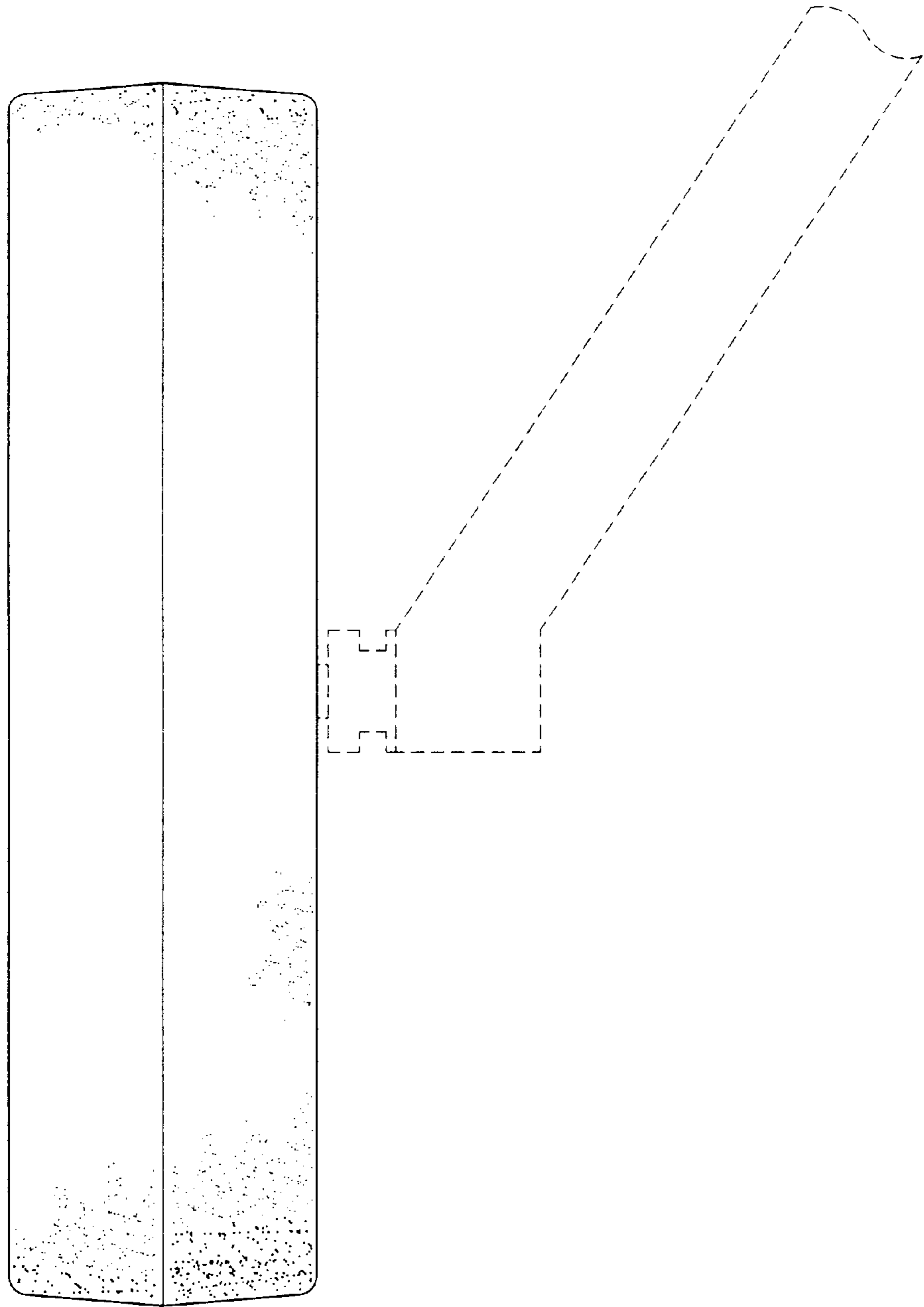


Fig. 10