



US00D444750S

(12) **United States Design Patent**  
**Meinhardt**

(10) **Patent No.:** **US D444,750 S**

(45) **Date of Patent:** **\*\* Jul. 10, 2001**

(54) **CONTROL PANEL FOR AN INDUSTRIAL TRUCK**

(75) Inventor: **Michael Meinhardt**, Reutlingen (DE)

(73) Assignee: **Still Wagner GmbH & Co. KG** (DE)

(\*\*) Term: **14 Years**

(21) Appl. No.: **29/127,961**

(22) Filed: **Aug. 11, 2000**

**Related U.S. Application Data**

(62) Division of application No. 29/094,642, filed on Oct. 7, 1998, now Pat. No. Des. 432,963.

(30) **Foreign Application Priority Data**

Apr. 8, 1998 (DE) ..... M 98 03 658

(51) **LOC (7) Cl.** ..... **12-16**

(52) **U.S. Cl.** ..... **D12/192**

(58) **Field of Search** ..... D12/192, 400, D12/415; D34/34, 35; 180/19.1, 19.3, 90; 280/43.12, 752; 296/70

(56) **References Cited**

**U.S. PATENT DOCUMENTS**

D. 53,630 \* 7/1919 Goodwin ..... D12/192

D. 54,138 \* 11/1919 Smith ..... D12/192  
D. 288,430 \* 2/1987 Cornwell ..... D12/192  
D. 394,626 \* 5/1998 Sacco et al. .... D12/192  
D. 396,837 \* 8/1998 Cooper ..... D12/192  
D. 401,201 \* 11/1998 Saleen ..... D12/192  
D. 401,718 \* 11/1998 Henshaw et al. .... D34/35  
D. 405,408 \* 2/1999 Yoshida et al. .... D12/192

\* cited by examiner

*Primary Examiner*—Robert M. Spear

(74) *Attorney, Agent, or Firm*—Webb Ziesenheim Logsdon Orkin & Hanson, P.C.

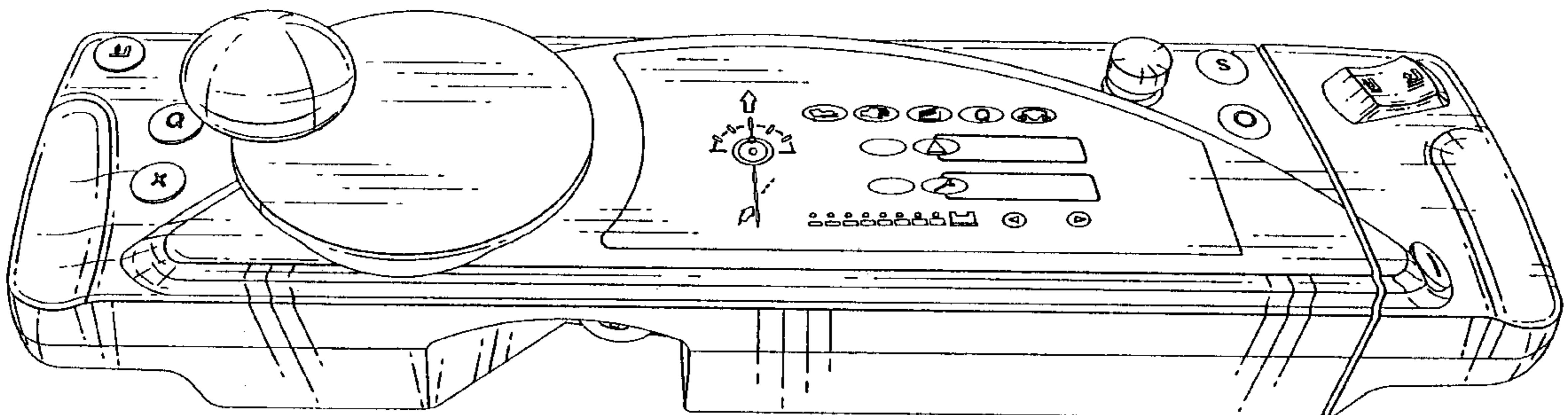
(57) **CLAIM**

The ornamental design for a control panel for an industrial truck, as shown and described.

**DESCRIPTION**

FIG. 1 is a perspective view of a control panel for an industrial truck showing my new design;  
FIG. 2 is a top plan view thereof;  
FIG. 3 is a side elevation view thereof;  
FIG. 4 is a side elevation view thereof, taken from the side opposite FIG. 3;  
FIG. 5 is an end view thereof;  
FIG. 6 is an end view, taken from the end opposite FIG. 5; and,  
FIG. 7 is a bottom plan view thereof.

**1 Claim, 7 Drawing Sheets**



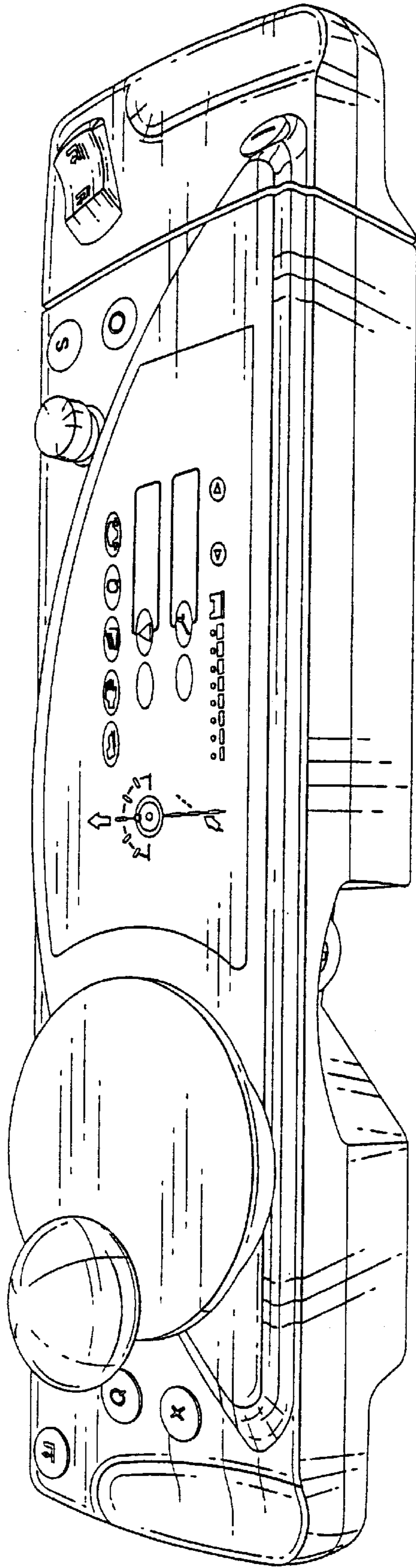


FIG. 1

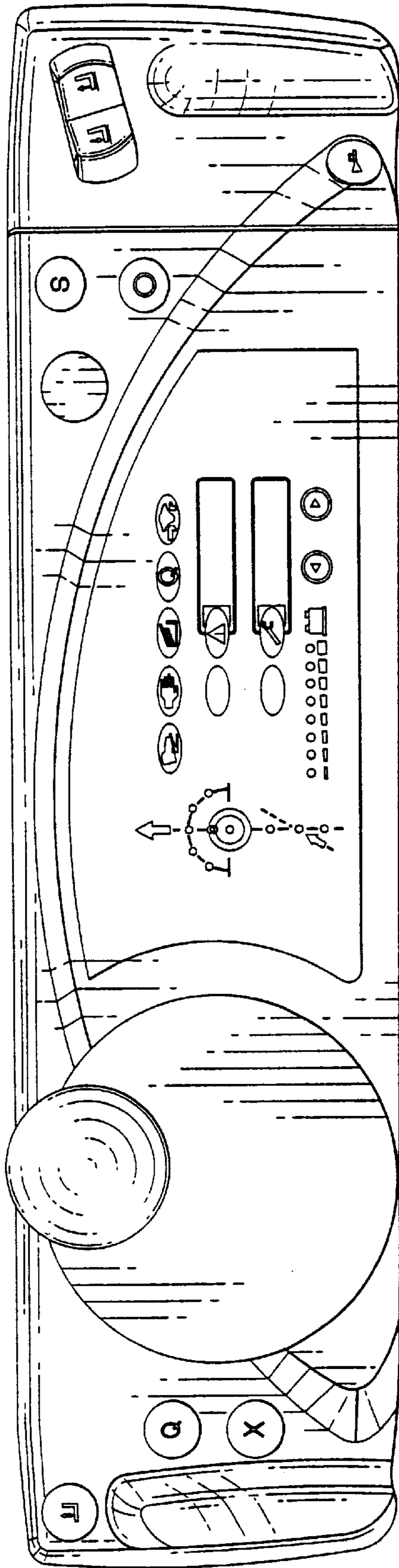


FIG. 2

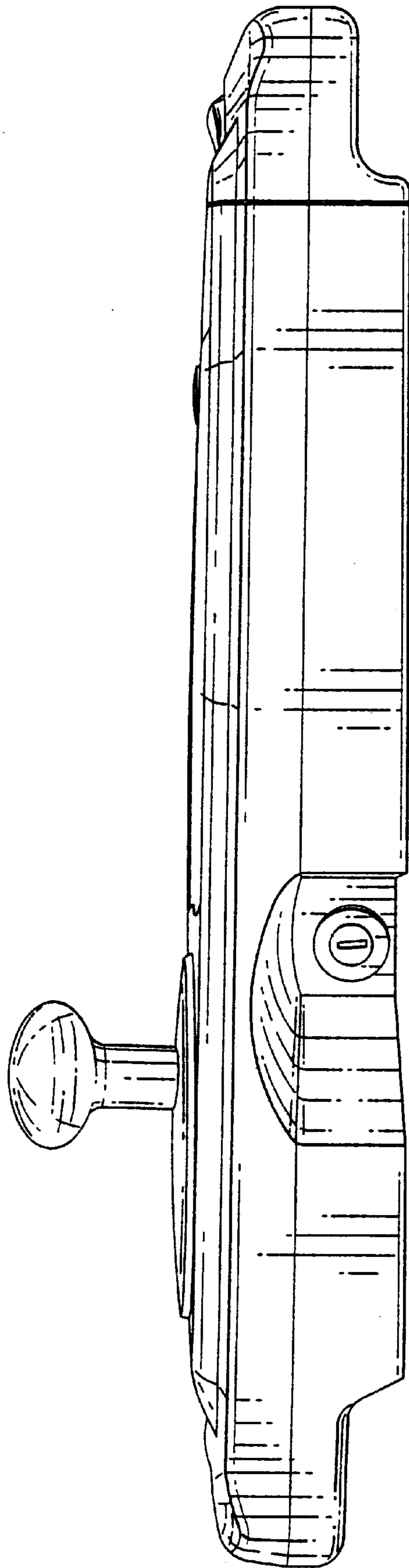


FIG. 3

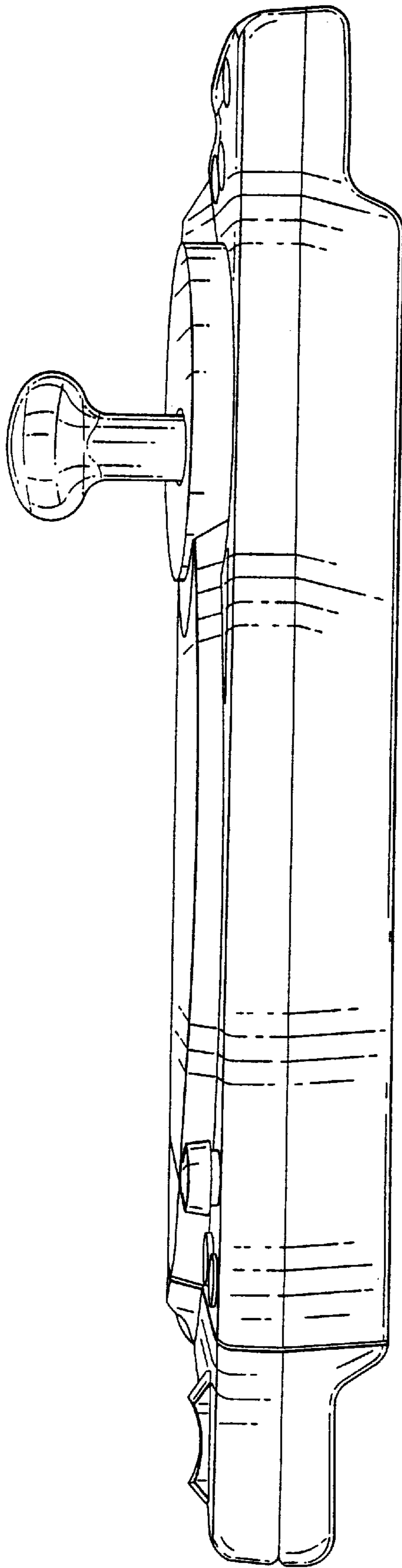


FIG. 4

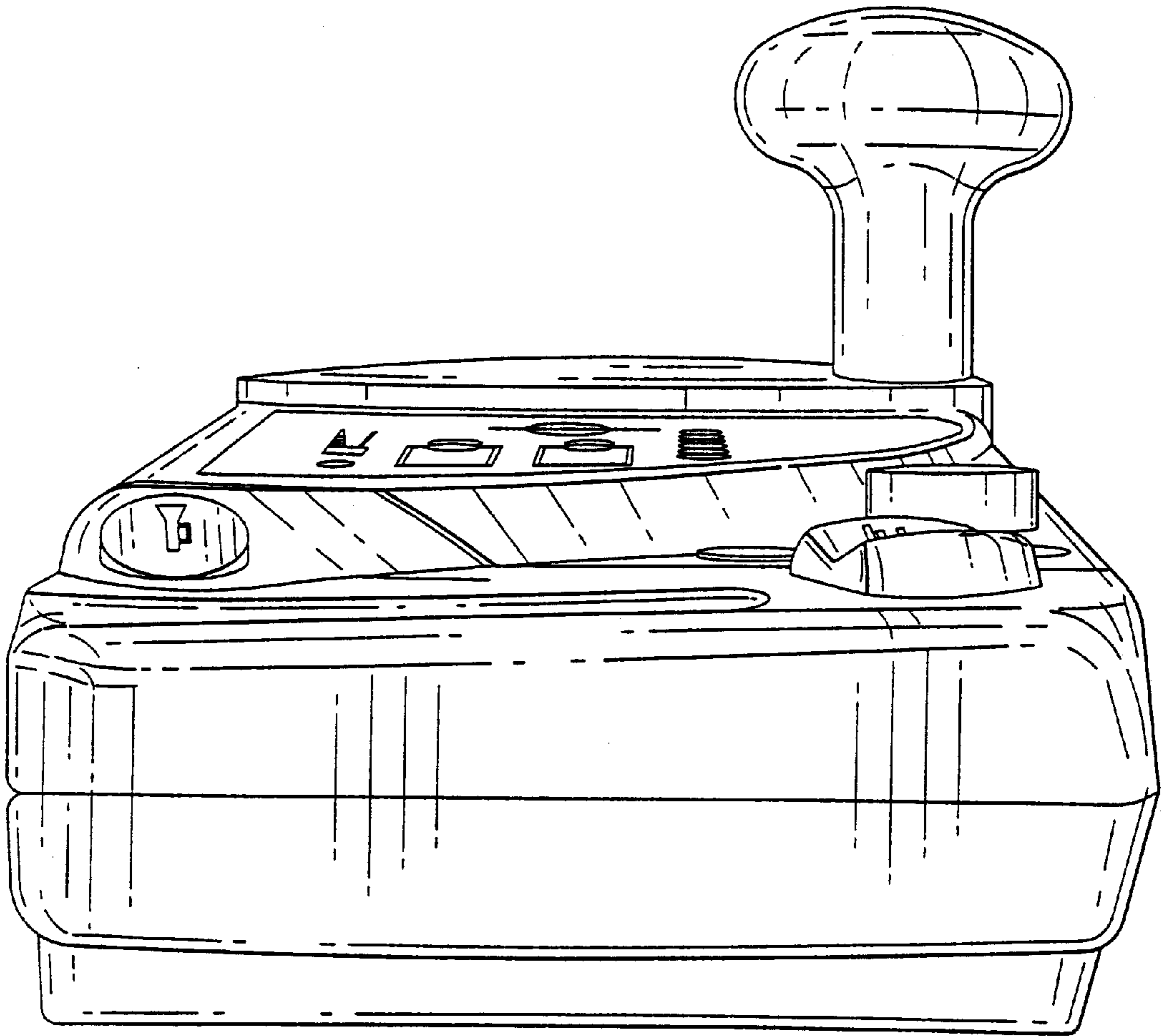


FIG. 5

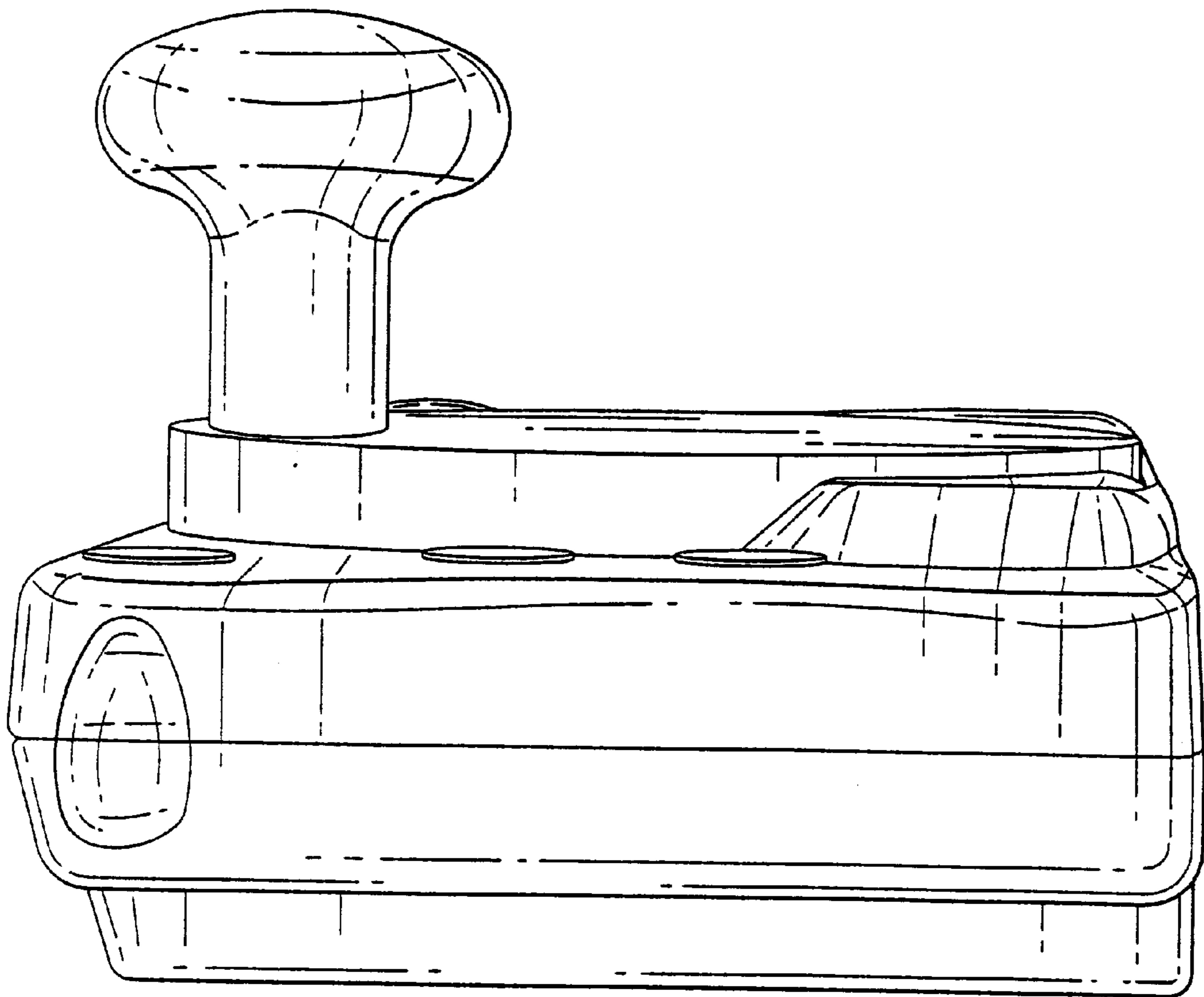


FIG. 6

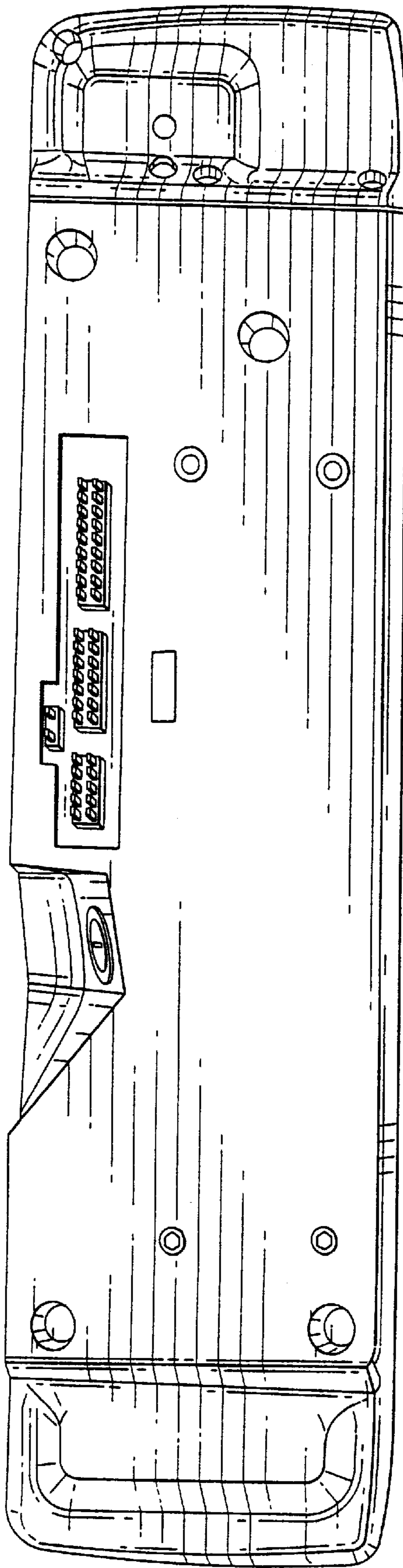


FIG. 7